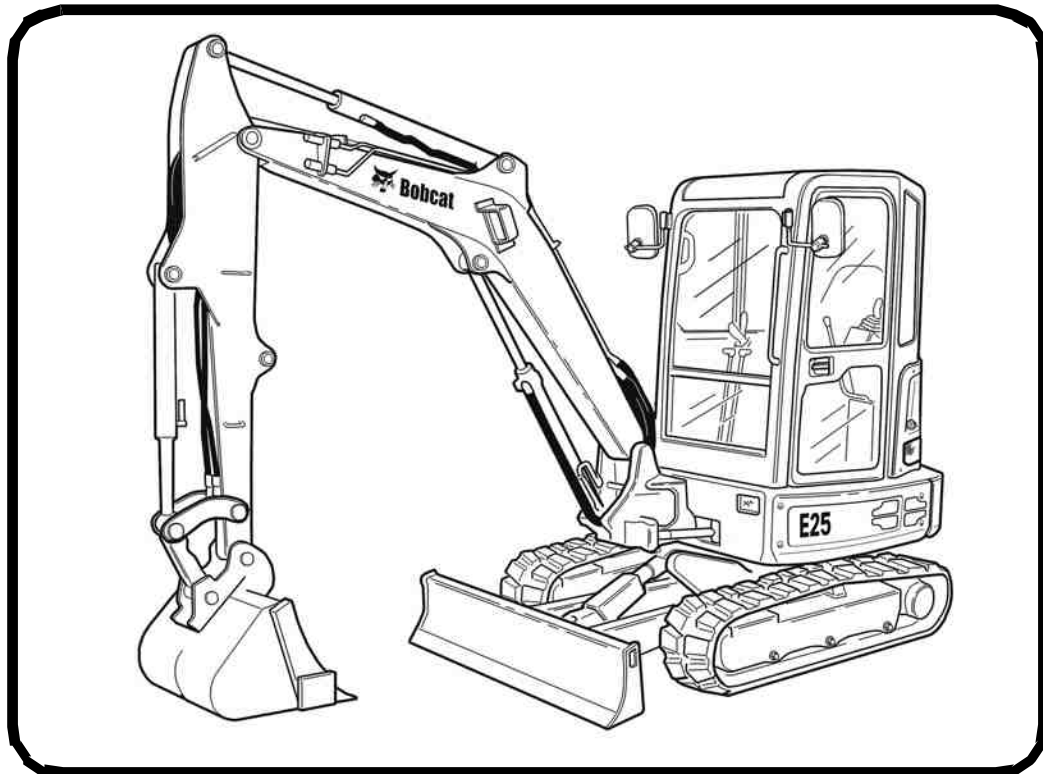




Bobcat®

Parts Manual E25 Compact Excavator

S/N AB8B11001 & Above



GENERAL INFORMATION

Before ordering parts, **ALWAYS** provide dealer with your product model number and complete serial number information. Before ordering parts, verify correct part numbers and / or serial numbers with your dealer. When using the machine serial number, use the complete number.

The number shown in the quantity column in this manual is the number of parts needed for the illustration on the page. For some parts, an “x” is shown in the quantity column. This “x” indicates that the quantity to be ordered / used is “As Needed”.

When references to LH (Left Hand) and RH (Right Hand) are used in this manual, they apply when an operator is situated in the operator’s seat in the operating position.

When “See Illustration....” appears in the Remarks column, refer to the Contents page for the illustration title to find page number location.

When “See BTI....” appears in the remarks column, contact a Bobcat dealer.

For additional information on the Bobcat website visit:

www.bobcat.com or www.bobcat.eu

TRANSLATED DECAL KITS

AR = Argentina (Spanish)

BR = Brazil (Portuguese)

CA = French Canadian

JP = Japanese

DISPOSITION

(Found in the Remarks Column)

[A] = Use Up

[B] = Use Up on Other Applications

[C] = File SDR Report with Bobcat Parts Sales

[D] = Part Number Error

ABBREVIATIONS/ACRONYM LIST

AC = Air Condition	GAL = Gallon
ACD = Active Center Differential	GCR = Grade Control Receiver
ACS = Advanced Control System	GFCI = Ground Fault Circuit Interrupter
AGM = Absorbent Glass Mat	GPM = Gallons per Minute
AHC = Advanced Hand Controls	GPS = Global Positioning System
AIC = Air Idle Control	HD = Heavy Duty
ALTNTR = Alternator	HEX = Hexagon
AMP = Ampere	HI-LO = High-Low
ASSY = Assembly	HP = Horse Power
AUX = Auxiliary	HYDRST = Hydrostatic
AWS = All Wheel Steer	HVAC = Heating Ventilation & Air Condition
BICS= Bobcat Interlock Control System	HYDR = Hydraulic
BPV = Bucket Positioning Valve	HZ = Hertz
BT = Bluetooth®	ID = Inside Diameter
BTI = Bobcat Technical Information Bulletin	IGN = Ignition
CD = Compact Disk	IN = Inches
C/I = Construction/Industrial	INDL = Industrial
COMPL = Complete	INJ = Injection
CRS = Common Rail System	ISO = International Organization for Standardization
CT = Compact Tractor	IT4 = Interim Tier Four
CTL = Compact Track Loader	JPS = Joystick Pattern Selector
CVT = Continuously Variable Transmission	KG = Kilogram
CYL = Cylinder	KM/H = Kilometers per Hour
DEF = Diesel Exhaust Fluid	KW = Kilowatt
DIA = Diameter	L = Liter
DIFF = Differential	LA = Long Arm
DIN = (German Institute for Standardization)	LASD = Lift Arm Safety Device
DIR = Directory	LB = Pound
DLX = Deluxe	LCD = Liquid Crystal Display
DOC = Diesel Oxidation Catalyst	LDR = Loader
DPF = Diesel Particulate Filter	LED = Light Emitting Diode
ECU = Electronic Control Unit	LF = Large Frame
EF = EarthForce™	LH = Left Hand
EGR = Exhaust Gas Recirculation	LORS™ = Lateral Operator Restrain System
ELHYD = Electro-Hydraulic	L/min. = Liters per Minute
ELEC = Electrical	L/P = Low Profile
EMEA = Europe/Middle East/Africa	MAX = Maximum
ENG = Engine	MEA = Middle East Africa
EPA = Environmental Protection Agency	MNFRM = Main Frame
EU = Europe	MID = Middle
EXC = Excavator	MLS = Mita Load Sensing
EXT = Extendable	MM = Millimeters
FF = Flush Face	MSHA = Mine Safety & Health Administration
FM = Front Mounted	N/A = Not Applicable
FOPS = Falling Object Protective Structure	NA = North America
FSR = Forward, Stop, Reverse	NIA = No Illustration Available
FT = Feet	NLA = No Longer Available
GA = Gauge	NSS = Not Serviced Separately

ABBREVIATIONS/ACRONYM LIST

NO = Number	XMSN = Transmission
OD = Outside Diameter	UBS = Universal Bearing Stress
OHB = Operator's Handbook	USB = Universal Serial Bus
OM = Operation & Maintenance Manual	UTV = Utility Vehicle
OZ = Ounce	VEH = Vehicle
PKG = Package	W/A = Welded Assembly
PM = Parts Manual	W/ = With
POLY = Polycarbonate	W/O = Without
PRESS = Pressure	WM = Work Machine
PSI = Pounds per Square Inch	
PT = Point	
PTO = Power Take Off	
PVC = Polyvinyl Chloride	
PWM = Pulse Width Modulation	
QT = Quart	
QTY = Quantity	
RD = Round Drive	
REF = Reference	
REM = Remanufactured	
RFID = Radio Frequency Identification	
RH = Right Hand	
ROC = Rated Operating Capacity	
ROPS = Rollover Protective Structure	
RPM = Revolutions per Minute	
SA = Standard Arm	
SALES = (Order through Sales Department)	
SCPA = Standard Controls W/Power Assist	
SCR = Selective Catalytic Reduction	
SD = Severe Duty	
SDR = Shipping Discrepancy Report	
SEA = Southeast Asia	
SF = Small Frame	
SJC = Selectable Joystick Controls	
SL = Service Letter	
SM = Service Manual	
SSL = Skid Steer Loader	
STC = Snap To Connect	
STD = Standard	
STG = Stage	
STRG = Steering	
T1 = Tier 1	
T2 = Tier 2	
T3 = Tier 3	
T4 = Tier 4	
TEMP = Temperature	
THL = (Control Pattern)	
THRU = Through	
TICS = Toolcat® Interlock Control System	

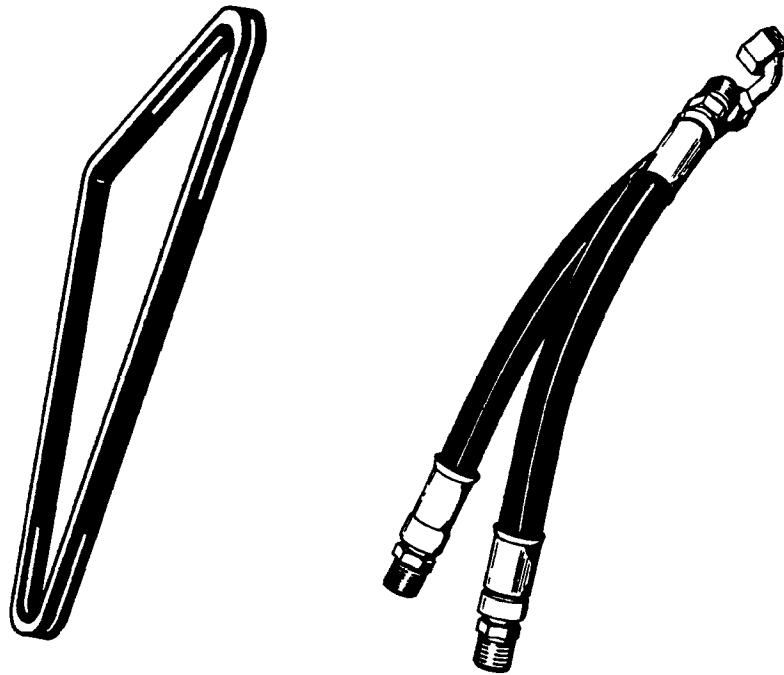
CONTENTS

MAINTENANCE ITEMS	1-22
MAINTENANCE ITEMS.....	1-8
SCHEDULED MAINTENANCE ITEMS.....	9-22
MAIN FRAME	23-88
UPPERSTRUCTURE.....	23-26
COUNTERWEIGHT.....	27
OPERATOR AREA & SEAT.....	29-40
SEAT.....	41-44
OPERATOR CAB.....	45-74
OPERATOR CANOPY.....	75
CANOPY.....	77
INSULATION.....	79-82
RH COVER.....	83-86
REAR DOOR.....	87
UNDERCARRIAGE	89-94
UNDERCARRIAGE.....	89
TRACK TENSIONER & IDLER.....	91
TRACK ROLLER.....	93
WORK EQUIPMENT	95-104
ARM.....	95
BUCKET LINK.....	97
BOOM.....	99
BLADE.....	101
BOOM SWING FRAME.....	103
CONTROLS	105-120
CONTROL CONSOLE.....	105-120
TRAVEL CONTROL.....	111
THROTTLE CONTROL.....	113-118
HYDRAULIC SYSTEM	121-236
HYDRAULIC CIRCUITRY.....	121-156
HYDRAULIC OIL FILTER.....	157
HYDRAULIC PISTON PUMP.....	159-162
MANIFOLD ASSY.....	163
SELECTOR VALVE ASSY.....	165-168
LH JOYSTICK.....	169-174
RH JOYSTICK.....	175-180
TRAVEL CONTROLLER.....	181
BLADE JOYSTICK.....	183-186
SWIVEL ASSY.....	187-190
TRAVEL MOTOR.....	191-196
SLEW MOTOR.....	197-202
HYDRAULIC CONTROL VALVE.....	203-226
ARM CYLINDER.....	227
BLADE CYLINDER.....	229
BOOM CYLINDER.....	231
BOOM SWING CYLINDER.....	233
BUCKET CYLINDER.....	235
ELECTRICAL SYSTEM	237-262
CAB ELECTRICAL CIRCUITRY.....	237
ENGINE ELECTRICAL CIRCUITRY.....	239
CONTROLS ELECTRICAL.....	241-258
ALTERNATOR.....	259
STARTER.....	261
POWER UNIT	263-318
ENGINE & ATTACHING PARTS.....	263-276
ENGINE & GASKET KITS.....	277
GEARCASE.....	279
CRANKCASE.....	281
ROCKER ARM COVER.....	283
ROCKER ARM & VALVES.....	285
CYLINDER HEAD.....	287
OIL PAN.....	289

CONTENTS (Cont'd)

POWER UNIT.....	263-318
PISTON & CRANKSHAFT.....	291-294
FUEL CAMSHAFT.....	295
CAMSHAFT.....	297
WATER PUMP.....	299
WATER FLANGE & THERMOSTAT.....	301
MANIFOLDS.....	303
IDLE APPARATUS & STOP SOLENOID.....	305
GOVERNOR.....	307
SPEED CONTROL PLATE.....	309
INJECTION PUMP & FUEL PUMP.....	311
INJECTOR NOZZLES.....	313
NOZZLE HOLDER.....	315
AIR FILTER.....	317
ACCESSORIES & OPTIONS.....	319-446
AUXILIARY COUPLER ARM KIT.....	319
AUXILIARY EXTENSION.....	321-324
BEACON KIT.....	325
BLOCK HEATER.....	327
COUNTERWEIGHT KIT.....	329
DECALS.....	331-338
DELUXE CONTROL KIT.....	339
DIRECT TO TANK KIT.....	341
EUROPEAN ACCESSORIES.....	343-346
FIRE EXTINGUISHER.....	347-352
FUEL SEDIMENT BOWL KIT.....	353
HEATER & A/C.....	355-370
HIGH ALTITUDE KIT.....	371
HOSE AIR BLEED KIT.....	373
KEYLESS IGNITION KIT.....	375-378
LOAD HOLD.....	379-386
LOAD MOMENT ALARM.....	387
LONG ARM KIT.....	389
MIRROR KIT.....	391-394
MOTION ALARM KIT.....	395
PURIFIER MUFFLER.....	397
PIN GRABBER QUICK COUPLER.....	399-404
RADIO FREQUENCY IDENTIFICATION KIT.....	405
RADIO KIT.....	407
REFLECTOR.....	409
SEAT BELT KIT.....	411-414
SECONDARY AUXILIARY KIT.....	415-422
SECONDARY AUXILIARY EXTENSION KIT.....	423
SECONDARY AUXILIARY MANIFOLD.....	425
SECONDARY AUX MANIFOLD.....	427
SECONDARY AUX PRESSURE RELIEF KIT.....	429
SPECIAL APPLICATION KIT.....	431-434
STROBE KIT.....	435
TOP GUARD KIT.....	437-440
TOP GUARD LIGHT KIT.....	441
TRACKS.....	443
X-CHANGE.....	445
NUMERICAL INDEX.....	447-496

**Use only Bobcat belts and hoses
to maintain maximum service life.**

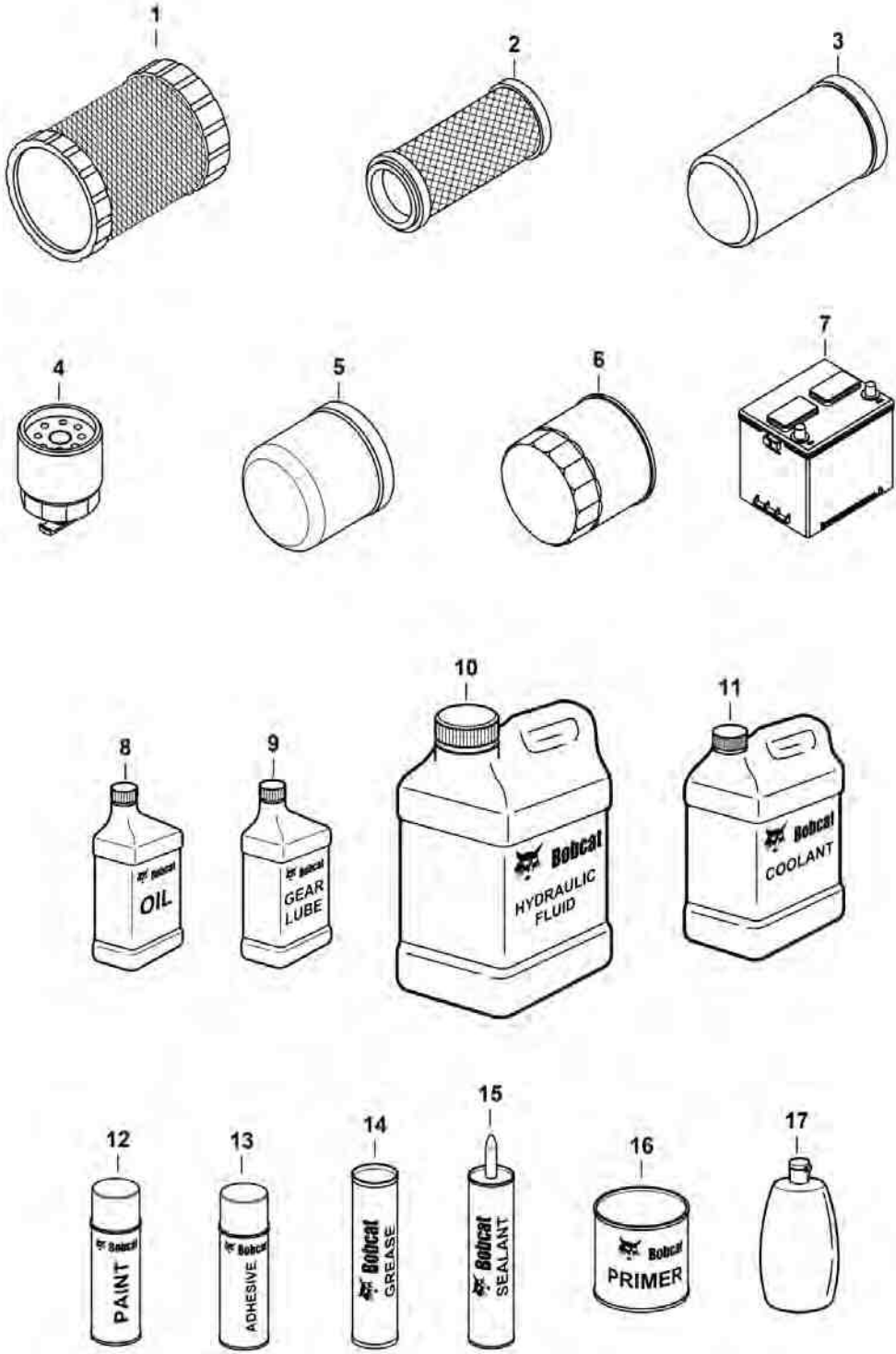


Available from Bobcat Parts.



MAINTENANCE ITEMS

(Service Parts)

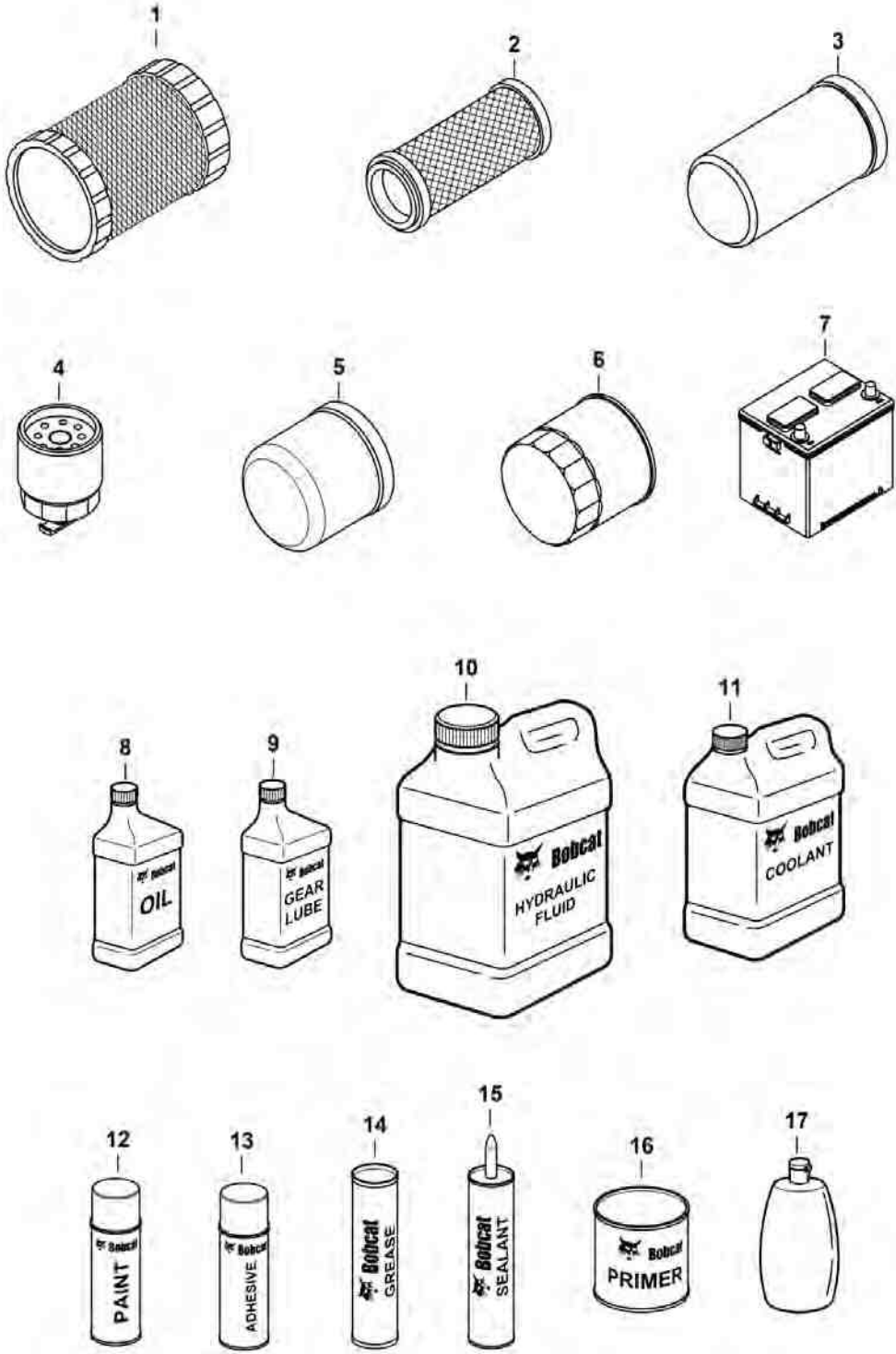


NA6932

MAINTENANCE ITEMS (Cont'd)
(Service Parts)

Ref No	Part Number	Description	Remarks	Serial Number	Qty
1	6673752	FILTER, AIR OUTER	See Illustration AIR FILTER / C3528 outer		1
2	6673753	FILTER, AIR INNER	See Illustration AIR FILTER / C3528 inner		1
3	6661248	FILTER, OIL HYD 12	See Illustration HYDRAULIC OIL FILTER / NA6101 #3 media - 152,4 mm (6") long		1
4	6667352	FILTER, FUEL W/SEPARATOR 12	See Illustration ENGINE & ATTACHING PARTS / NA6064		1
5	7009365	FILTER, OIL HYD	See Illustration HYDRAULIC CIRCUITRY / NA6848		1
6	6657635	FILTER, OIL ENG	See Illustration GEARCASE / NA6114		1
7	7269858	BATTERY WET 540 CCA	See Illustration CONTROLS ELECTRICAL / NA6059 - Was 6670251 [A]		1
7	6673865	BATTERY, WET 600CCA	See Illustration CONTROLS ELECTRICAL / NA6059 Was 6674687 [B]		1
8	6987789A	OIL, 10W30 5L 4	Was 6904840A [A]		x
8	6987789B	OIL, 10W30 20L	Was 6904840B [A]		x
8	6987789C	OIL, 10W30 205L	Was 6904840C [A]		x
8	6987789D	OIL, 10W30 1000L	Was 6904840D [A]		x
8	7023080	OIL, 15W40 QT 12			x
8	7023081	OIL, 15W40 GAL 6			x
8	7023082	OIL, 15W40 2.5 GAL 2			x
8	7023083	OIL, 15W40 55 GAL DRUM			x
8	7023084	OIL, 15W40 265 GAL TOTE			x
8	6989147	OIL, SYNTHETIC 5W40 QT			x
8	6989148	OIL, SYNTHETIC 5W40 GAL			x
9	6903121	LUBE, GEAR			x
10	6904026	FLUID, OIL HYD 1 GAL			x
10	6903117	FLUID, OIL HYD 2.5 GAL 2			x
10	6903118	FLUID, OIL HYD 5 GAL			x
10	6903119	FLUID, OIL HYD 55 GAL DRUM			x
10	6904027	FLUID, OIL HYD 265 GAL TOTE	contains 260 gallons		x
10	6988778	FLUID, OIL HYD SYNTHETIC GAL			x
10	6988779	FLUID, OIL HYD SYNTHETIC 2.5 GAL			x
10	6988439	FLUID, OIL HYD SYNTHETIC 55 GAL DRUM			x
10	6988777	FLUID, OIL HYD BIO GAL			x

MAINTENANCE ITEMS (Cont'd)
(Service Parts)

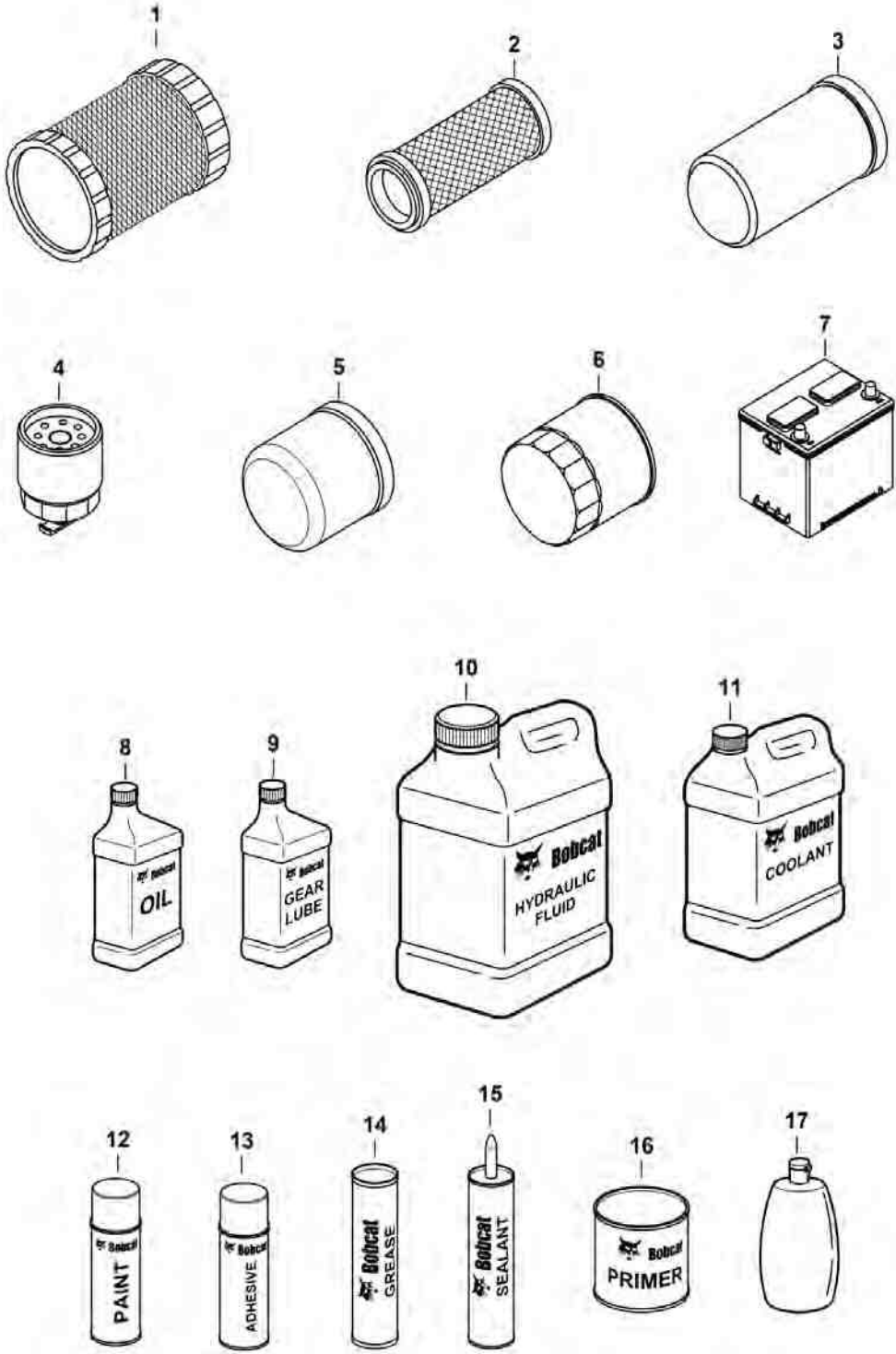


NA6932

MAINTENANCE ITEMS (Cont'd)
(Service Parts)

Ref No	Part Number	Description	Remarks	Serial Number	Qty
10	6988437	FLUID, OIL HYD BIO 55 GAL DRUM			x
11	6983128	ANTIFREEZE/CO OLANT, PG 53/47 PREMIX GAL			x
11	6983130	ANTIFREEZE/CO OLANT, PG 53/47 PRMX 55GAL			x
11	6988096	ANTIFREEZE/CO OLANT, EG PREMIX GAL 6			x
11	6983129	ANTIFREEZE/CO OLANT, PG CONCENTRATE GAL			x
11	6983127	ANTIFREEZE/CO OLANT, PG CONCEN 55 GAL			x
11	6988097	ANTIFREEZE/CO OLANT, EG CONCENTRATE GAL			x
12	7251690	PAINT, ORANGE SPRAY CAN 6	original shade - EMEA		x
12	7305844	PAINT ORANGE SPRAY CAN 6	updated shade		x
12	7251691	PAINT, ORANGE .5 OZ	original shade - EMEA		x
12	7305843	PAINT ORANGE .5 OZ	updated shade		x
12	7251689	PAINT, ORANGE QT 6	original shade - EMEA		x
12	7305845	PAINT ORANGE QT 6	updated shade		x
12	7251693	PAINT, CHARCOAL SPRAY CAN 6	Was 6902229 [A]		x
12	7251694	PAINT, CHARCOAL .5 OZ	Was 6736641 [A]		x
12	7251692	PAINT, CHARCOAL QT 6	Was 6902234 [A]		x
12	7251701	PAINT, WHITE SPRAY CAN 6	Was 6902230 [A]		x
12	7251702	PAINT, WHITE .5 OZ	Was 6736642 [A]		x
12	7251695	PAINT, WHITE QT 6	Was 6902235 [A]		x
12	7251704	PAINT, RED .5 OZ	Was 6736645 [A]		x
12	6650083	PAINT, SPRAY BLUE CAN			x
13	6675380	ADHESIVE, SPRAY 10.5 oz			x
13	6650407	ADHESIVE			x

MAINTENANCE ITEMS (Cont'd)
(Service Parts)

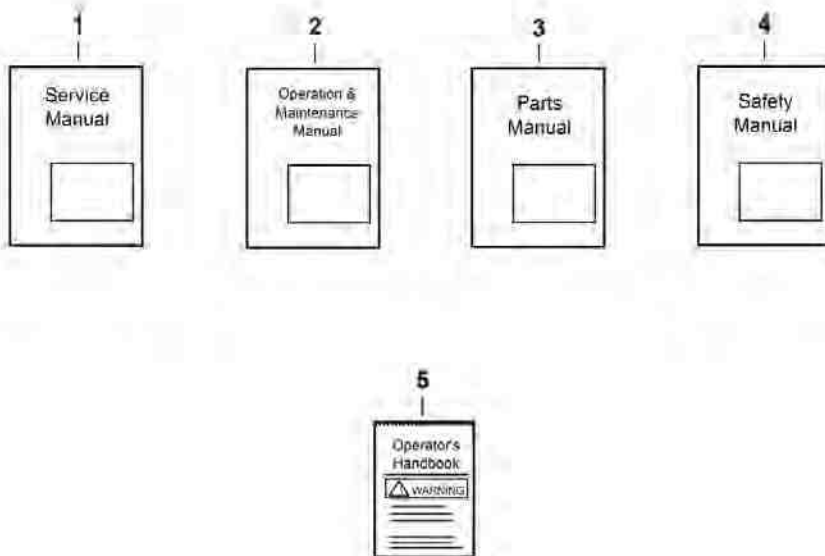


NA6932

MAINTENANCE ITEMS (Cont'd)
(Service Parts)

Ref No	Part Number	Description	Remarks	Serial Number	Qty
14	6987888	GREASE, MULTIPURPOSE #2 - 10	Was 6903122 [B]		x
14	6987889	GREASE, HD SUPREME 10	Was 6687884 [B]		x
14	6987890	GREASE, HP EXTREME 10	Was 6687885 [B]		x
14	6902177	GREASE, METALUBE			x
15	6633583	SEALANT, POLYURETHANE 300 ML			x
15	6650388	SEALANT			x
15	6599360	SEALANT, ELEC .3 OZ			x
15	6685372	SEALANT, GASKET LIQUID 10.1 OZ			x
16	7251706	PRIMER, SPRAY CAN 6	Was 6902232 [A]		x
16	7251705	PRIMER, QT 6	Was 6902236 [A]		x
17	6630188	POLISH			x
17	6630189	POLISH			x

MAINTENANCE ITEMS (Literature)



NA8061

MAINTENANCE ITEMS (Cont'd)
(Literature)

Ref No	Part Number	Description	Remarks	Serial Number	Qty
1	6989691ENUS	SM, E25 EXC	printed - Was 6989691 [D]		1
2	6989690	OPERATION & MAINTENANCE MANUAL E25	printed	AB8B11001 - 11999	1
2	7249959ENGB	OM, E25 EXC	printed - Was 7249959	AB8B12001 & Above	1
3	6989692	MANUAL, PARTS	printed		1
4	6901951	MANUAL EMI SAFETY - EXCAVATOR			1
5	6987271	OHB, W WIRE ROPE		AB8B11001 - 11999	1
5	6987271ESAR	OHB, W/WIRE ROPE			1
5	6987271PTBR	OHB, W/WIRE ROPE		AB8B12001 & Above	1
5	6990434	OHB, W/WIRE ROPE		AB8B12001 & Above	1
5	6990434FRCA	OHB, W/WIRE ROPE		AB8B12001 & Above	1

SCHEDULED MAINTENANCE ITEMS
(Every 8-10 Hours)



NA8053

SCHEDULED MAINTENANCE ITEMS (Cont'd)

(Every 8-10 Hours)

Ref No	Part Number	Description	Remarks	Serial Number	Qty
1	6987888	GREASE, MULTIPURPOSE #2 - 10	Was 6903122 [B]		x
1	6987889	GREASE, HD SUPREME 10	Was 6687884 [B]		x
1	6987890	GREASE, HP EXTREME 10	Was 6687885 [B]		x
1	6902177	GREASE, METALUBE			x

SCHEDULED MAINTENANCE ITEMS
(Every 50 Hours)



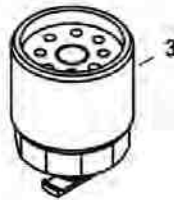
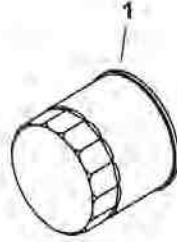
NA8053A

SCHEDULED MAINTENANCE ITEMS (Cont'd)
(Every 50 Hours)

Ref No	Part Number	Description	Remarks	Serial Number	Qty
1	6987888	GREASE, MULTIPURPOSE #2 - 10	Was 6903122 [B]		x
1	6987889	GREASE, HD SUPREME 10	Was 6687884 [B]		x
1	6987890	GREASE, HP EXTREME 10	Was 6687885 [B]		x
1	6902177	GREASE, METALUBE			x

SCHEDULED MAINTENANCE ITEMS

(Every 250 Hours)



NA8088

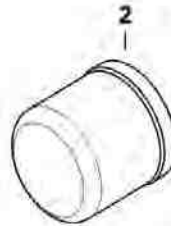
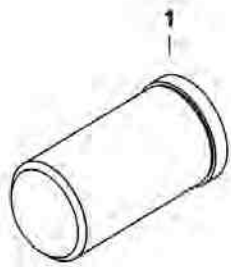
SCHEDULED MAINTENANCE ITEMS (Cont'd)

(Every 250 Hours)

Ref No	Part Number	Description	Remarks	Serial Number	Qty
1	6657635	FILTER, OIL ENG	See Illustration GEARCASE / NA6114		1
2	6903109	OIL 30W QT. 12			x
2	6903110	OIL, 30W GAL. 6			x
2	6903111	OIL 30W 2.5 GAL 2			x
2	7023076	OIL, 10W30 QT 12	Was 6903107 [A]		x
2	7023077	OIL, 10W30 GAL 6	Was 6903108 [A]		x
2	7023078	OIL, 10W30 2.5 GAL 2	Was 6903112 [A]		x
2	7023080	OIL, 15W40 QT 12	Was 6903105 [A]		x
2	7023081	OIL, 15W40 GAL 6	Was 6903106 [A]		x
2	7023082	OIL, 15W40 2.5 GAL 2	Was 6903113 [A]		x
3	6667352	FILTER, FUEL W/SEPARATOR 12	See Illustration ENGINE & ATTACHING PARTS / NA6064		1

SCHEDULED MAINTENANCE ITEMS

(Every 500 Hours)



NA2323

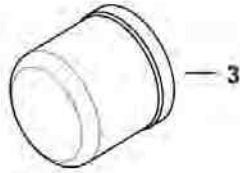
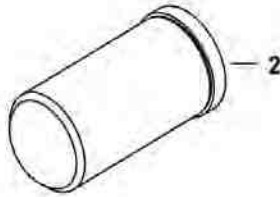
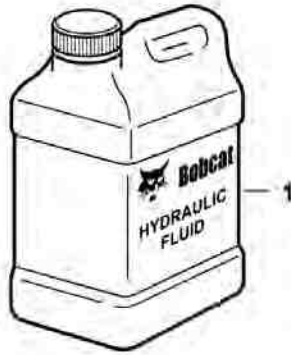
SCHEDULED MAINTENANCE ITEMS (Cont'd)

(Every 500 Hours)

Ref No	Part Number	Description	Remarks	Serial Number	Qty
1	6661248	FILTER, OIL HYD 12	See Illustration HYDRAULIC OIL FILTER / NA6101 #3 media - 152,4 mm (6") long		1
2	7009365	FILTER, OIL HYD			1
3	6692836	CAP, HYDRAULIC TANK			1

SCHEDULED MAINTENANCE ITEMS

(Every 1000 Hours)



NA2324

SCHEDULED MAINTENANCE ITEMS (Cont'd)
(Every 1000 Hours)

Ref No	Part Number	Description	Remarks	Serial Number	Qty
1	6987791A	FLUID, OIL HYD 5L 4	Was 6904842A [A]		x
1	6987792A	FLUID, OIL HYD BIO 5L 4	Was 6904843A [A]		x
1	6987791B	FLUID, OIL HYD 20L	Was 6904842B [A]		x
1	6987792B	FLUID, OIL HYD BIO 20L	Was 6904843B [A]		x
1	6987791C	FLUID, OIL HYD 205L	Was 6904842C [A]		x
1	6987792C	FLUID, OIL HYD BIO 205L	Was 6904843C [A]		x
1	6987791D	FLUID, OIL HYD 1000L	Was 6904842D [A]		x
1	6987792D	FLUID, OIL HYD BIO 1000L	Was 6904843D [A]		x
2	6661248	FILTER, OIL HYD 12	See Illustration HYDRAULIC CIRCUITRY / NA5592 #3 media - 152,4 mm (6") long		1
3	7009365	FILTER, OIL HYD	See Illustration HYDRAULIC CIRCUITRY / NA6848		1
4	6903121	LUBE, GEAR			x

SCHEDULED MAINTENANCE ITEMS
(Every 2 Years)



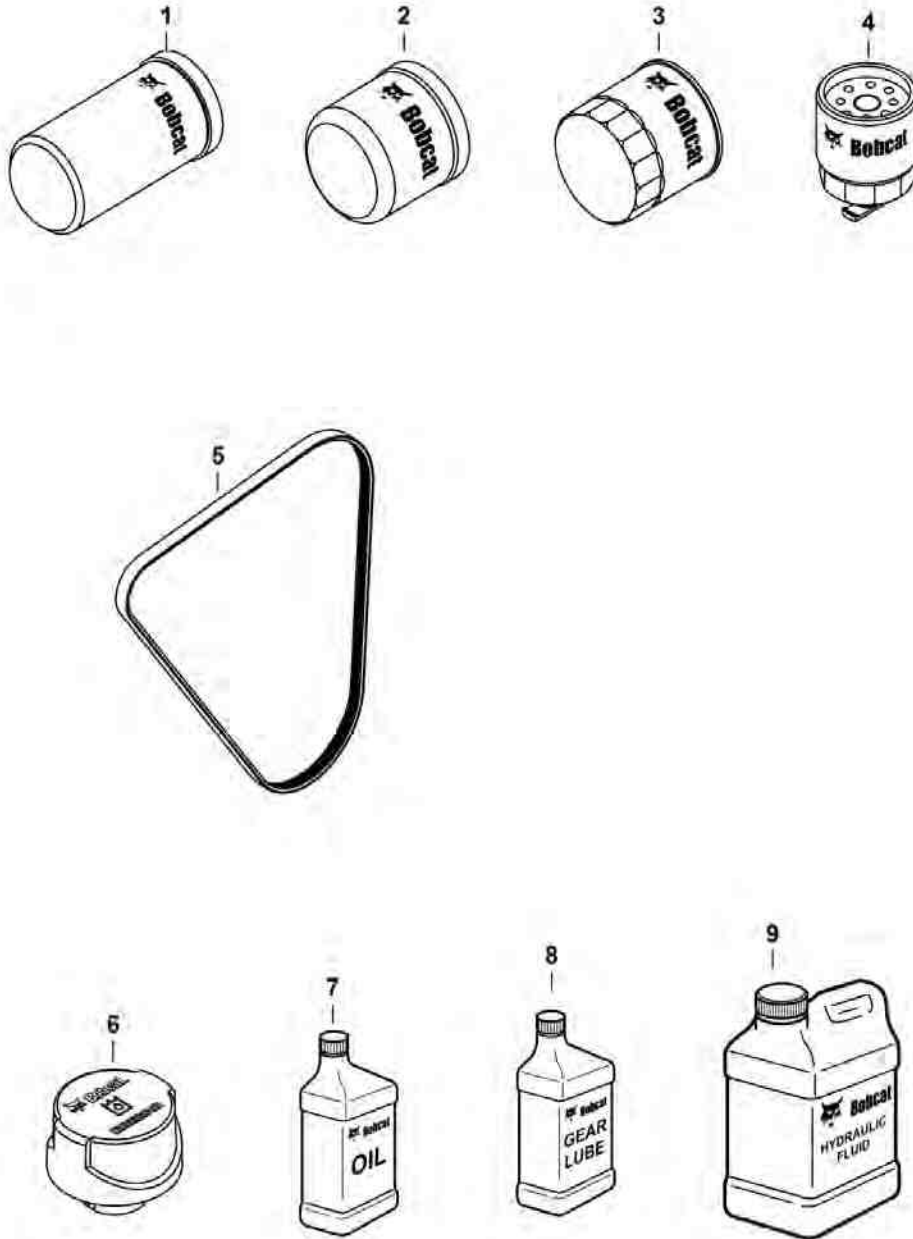
NA8067

SCHEDULED MAINTENANCE ITEMS (Cont'd)
(Every 2 Years)

Ref No	Part Number	Description	Remarks	Serial Number	Qty
1	6983128	ANTIFREEZE/COLANT, PG 53/47 PREMIX GAL			x
1	6983130	ANTIFREEZE/COLANT, PG 53/47 PRMX 55GAL			x
1	6988096	ANTIFREEZE/COLANT, EG PREMIX GAL 6			x
1	6983129	ANTIFREEZE/COLANT, PG CONCENTRATE GAL			x
1	6983127	ANTIFREEZE/COLANT, PG CONCEN 55 GAL			x
1	6988097	ANTIFREEZE/COLANT, EG CONCENTRATE GAL			x

SCHEDULED MAINTENANCE ITEMS

(First 50 Hours)

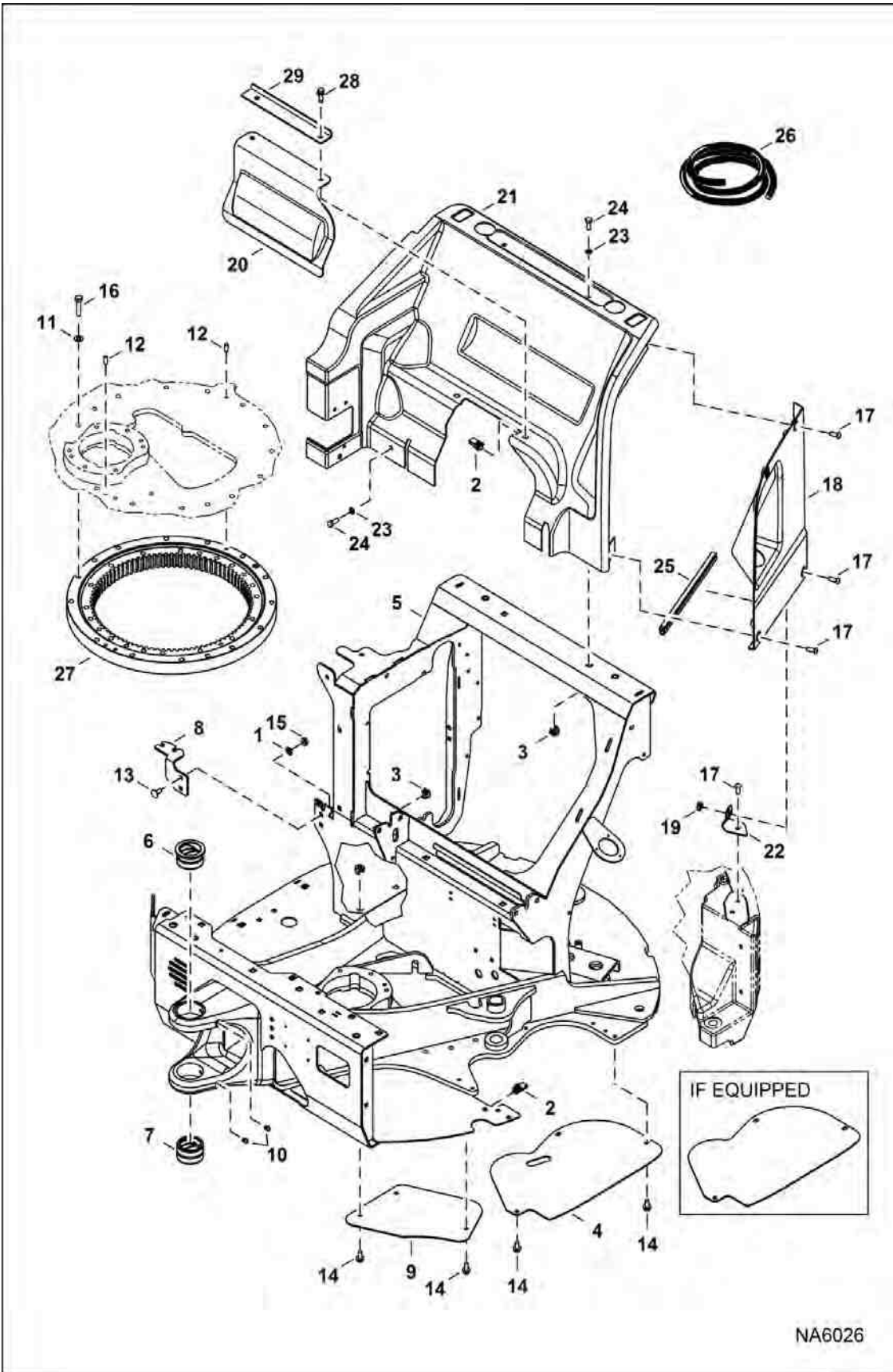


NA8130

SCHEDULED MAINTENANCE ITEMS (Cont'd)
(First 50 Hours)

Ref No	Part Number	Description	Remarks	Serial Number	Qty
1	6661248	FILTER, OIL HYD 12			1
2	7009365	FILTER, OIL HYD			1
3	6657635	FILTER, OIL ENG			1
4	6667352	FILTER, FUEL W/SEPARATOR 12			1
5	7193802	BELT, FAN	See Illustration ENGINE & ATTACHING PARTS / NA6061		1
6	6692836	CAP, HYDRAULIC TANK			1
7	6987789A	OIL, 10W30 5L 4	Was 6904840A [A]		1
7	6987789B	OIL, 10W30 20L	Was 6904840B [A]		1
7	6987789C	OIL, 10W30 205L	Was 6904840C [A]		1
7	6987789D	OIL, 10W30 1000L	Was 6904840D [A]		1
7		OIL, 30W 5L 4	NLA - Order 6987818A oil - Was 6987796A [D]		x
7		OIL, 30W 20L	NLA - Order 6987818B oil - Was 6987796B [D]		x
7		OIL, 30W 205L	Was 6987500C NLA - Order 6987818C oil - Was 6987796C [D]		x
7		OIL, 30W 1000L	NLA - Order 6987818D oil - Was 6987796D [D]		x
7	6987790A	OIL, 15W40 5L 4	Was 6904841A [A]		1
7	6987790B	OIL, 15W40 20L	Was 6904841B [A]		1
7	6987790B	OIL, 15W40 20L	Was 6904841B [A]		1
7	6987790D	OIL, 15W40 1000L	Was 6904841D [A]		1
7		OIL, 20W50 5L 4	Was 6987501A NLA - Order 6987819A oil - Was 6987797A [D]		x
7		OIL, 20W50 205L	NLA - Order 6987819C oil - Was 6987797C [D]		x
7		OIL, 20W50 20L	NLA - Order 6987819B oil - Was 6987797B [D]		x
7		OIL, 20W50 1000L	NLA - Order 6987819D oil - Was 6987797D [D]		x
8	6903121	LUBE, GEAR			x
9	6987791A	FLUID, OIL HYD 5L 4	Was 6904842A [A]		1
9	6987792A	FLUID, OIL HYD BIO 5L 4	Was 6904843A [A]		1
9	6987791B	FLUID, OIL HYD 20L	Was 6904842B [A]		1
9	6987792B	FLUID, OIL HYD BIO 20L	Was 6904843B [A]		1
9	6987791C	FLUID, OIL HYD 205L	Was 6904842C [A]		1
9	6987792C	FLUID, OIL HYD BIO 205L	Was 6904843C [A]		1
9	6987791D	FLUID, OIL HYD 1000L	Was 6904842D [A]		1
9	6987792D	FLUID, OIL HYD BIO 1000L	Was 6904843D [A]		1

UPPERSTRUCTURE

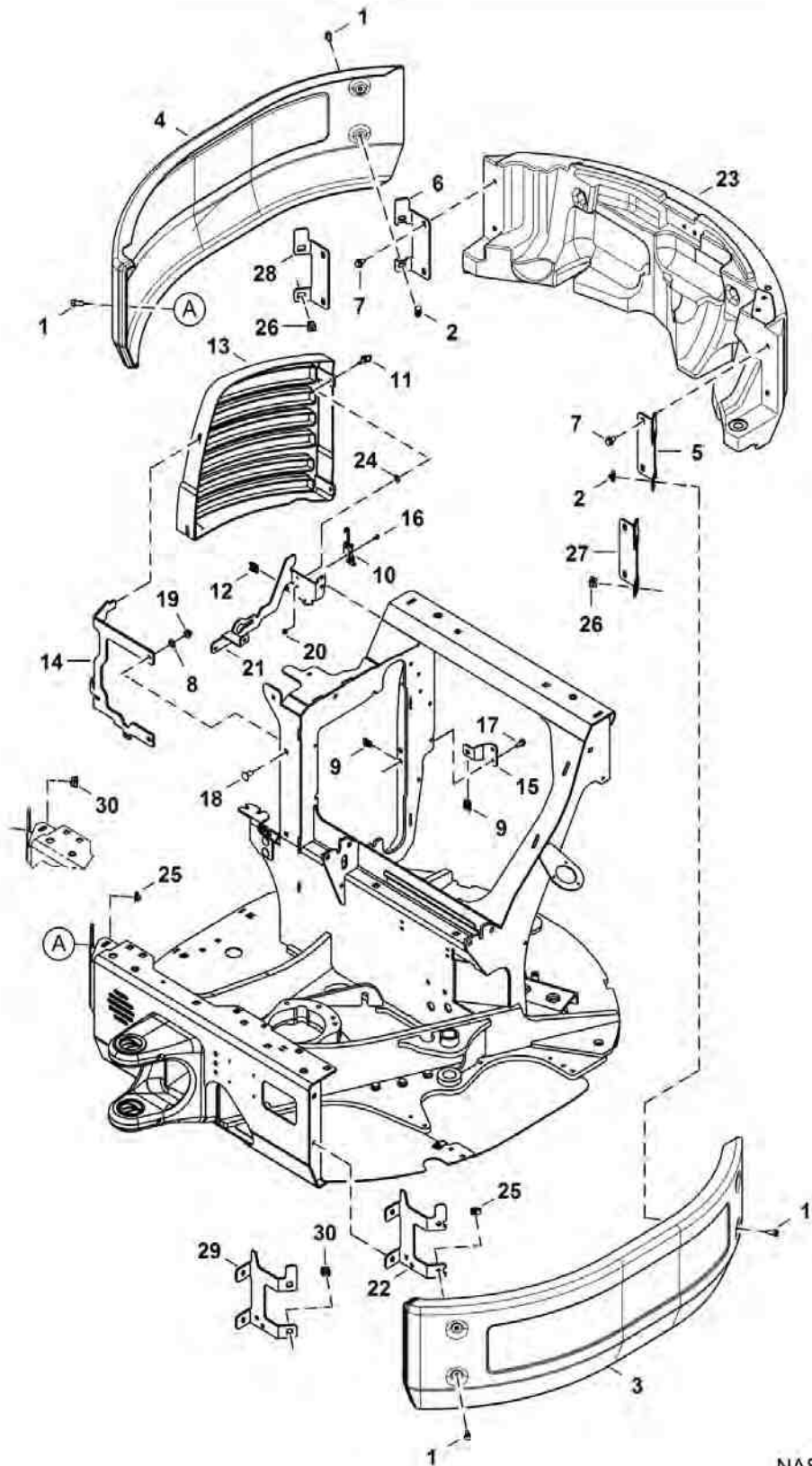


NA6026

UPPERSTRUCTURE (Cont'd)

Ref No	Part Number	Description	Remarks	Serial Number	Qty
1	6674264	RETAINER NUT			5
2	6675722	NUT			3
3	7155413	NUT			5
4	7301776	COVER, BOTTOM	Was 7158972 [A]		1
5	7165353	UPPERSTRUCTURE		AB8B11001 - 11999	1
5	7241490	UPPERSTRUCTURE		AB8B12001 - AB8B12103	1
5	7254343	UPPERSTRUCTURE		AB8B12104 & Above	1
5	7301999	UPPERSTRUCTURE		AB8B & Above	1
6	7183441	BUSHING, PIVOT			1
7	7191805	BUSHING, PIVOT			1
8	7193426	MOUNT, FILTER			1
9	7301777	COVER, BOTTOM	Was 7199851 [A]		1
10	10H25	FITTING, GREASE 5			2
11	18EM1224	WASHER HARDENED PLN			15
12	23JM1024	PIN HARDENED PARALLE			2
13	33CM1025	BOLT			2
14	29CM1020	SCREW HEX 10MMX20MM			6
15	43DM10	NUT FLANGED HEX			5
16	55CM1250	SCREW			15
17	6817769	SCREW			5
18	7148574	COVER, LH			1
19	7155411	NUT			1
20	7158979	PANEL, ACCESS			1
21	7179422	PANEL, ENG			1
22	7189449	BRACKET, COVER			1
23	15EM100	WASHER			3
24	1CM1025	BOLT			3
25		SEAL	NLA - 320 mm (12.6") long - Order Ref. 26		1
26	7170493	SEAL, BULK, BULB BULK/FT	sold per foot		1
27		RING, SLEW	See Illustration UNDERCARRIAGE / NA6817		1
28	29CM1030	SCREW FLGD HEX CAP			2
29	7198650	PLATE, BRACE			1

UPPERSTRUCTURE (Side Cover & Screen)

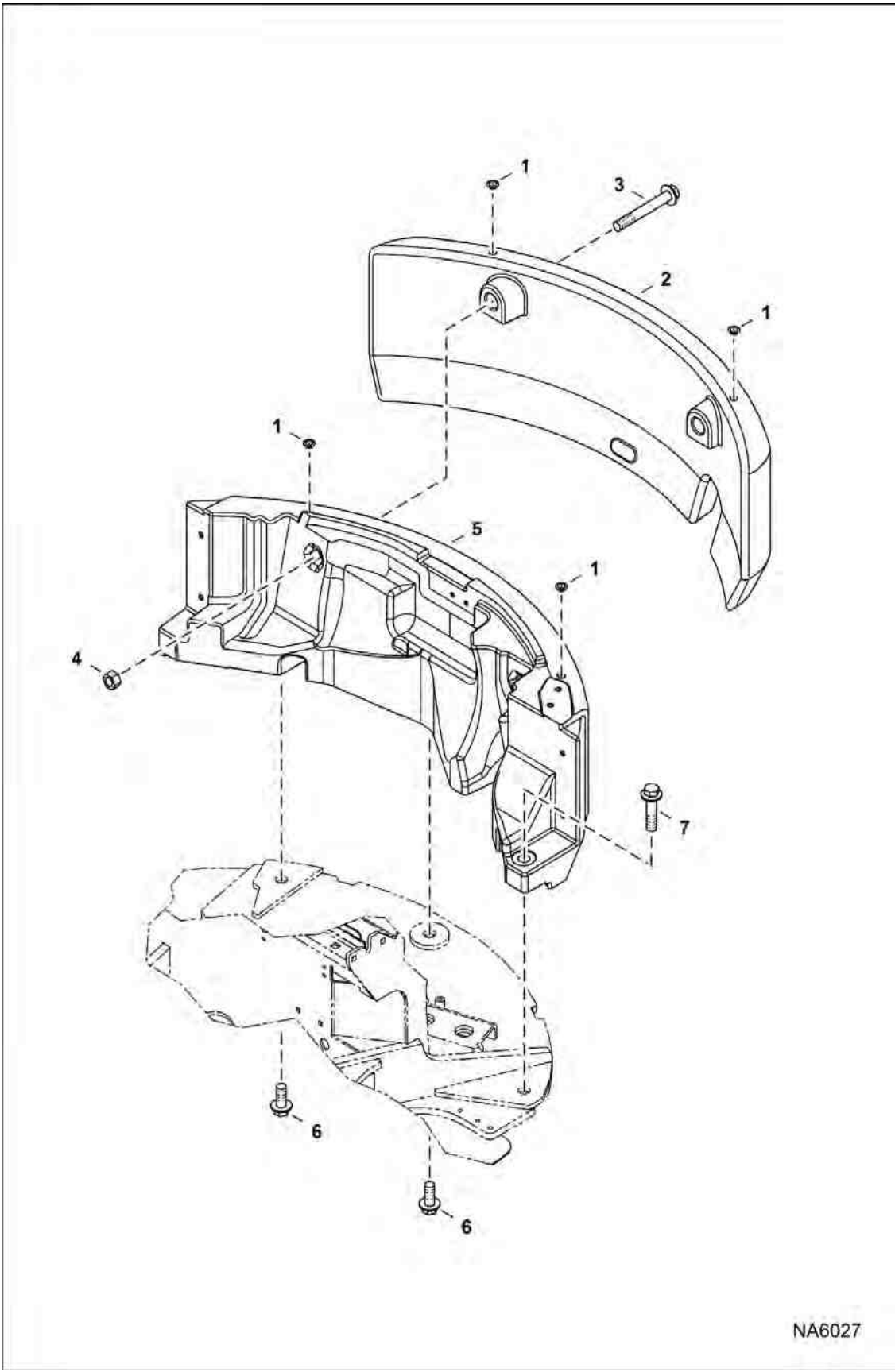


NA8154

UPPERSTRUCTURE (Cont'd)
(Side Cover & Screen)

Ref No	Part Number	Description	Remarks	Serial Number	Qty
1	29CM820	SCREW FLNGE HEX CAP	Was 29CM1025 [B]		8
2	6676169	NUT		AB8B12261 & Above	4
3	7203629	COVER, SIDE			1
4	7203630	COVER, SIDE			1
5	7301407	BRACKET, CHANNEL SIDE		AB8B12261 & Above	1
6	7301409	BRACKET, CHANNEL SIDE		AB8B12261 & Above	1
7	29CM1016	SCREW FLANGE HEX CAP			4
8	6674264	RETAINER NUT			3
9	6676169	NUT			2
10	7020243	LATCH			1
11	7020389	RETAINER			2
12	7186077	CLIP	- Was 7020390 [A]		2
13	7194839	SCREEN, DEBRIS			1
14	7194969	BRACKET			1
15	7195021	BRACKET			1
16	1CM512	BOLT			2
17	29CM820	SCREW FLNGE HEX CAP			2
18	33CM1025	BOLT			3
19	43DM10	NUT FLANGED HEX			3
20	43DM5	NUT			2
21	7189004	MOUNT, RADIATOR			1
22	7301410	BRACKET, CHANNEL SIDE		AB8B12261 & Above	1
23		COUNTERWEIGH T			1
24	7186078	WASHER			2
25	6676169	NUT		AB8B12261 & Above	4
26	7259002	CAGE, NUT		AB8B11001 - AB8B12260	4
27	7189074	BRACKET, COVER		AB8B11001 - AB8B12260	1
28	7189075	BRACKET, COVER		AB8B11001 - AB8B12260	1
29	7187744	BRACKET, CHANNEL SIDE		AB8B11001 - AB8B12260	1
30	7254120	NUT, CLIP		AB8B11001 - AB8B12260	4

COUNTERWEIGHT



NA6027

COUNTERWEIGHT (Cont'd)

Ref No	Part Number	Description	Remarks	Serial Number	Qty
1	7010676	PLUG			4
2		COUNTERWEIGHT	See Illustration COUNTERWEIGHT KIT / NA6155 add-on		1
3	29CM20150	BOLT			2
4	4DM20	NUT			2
5	7184810	COUNTERWEIGHT			1
6	29CM2045	BOLT			2
7	29CM2080	BOLT			1

OPERATOR AREA & SEAT (Cont'd)

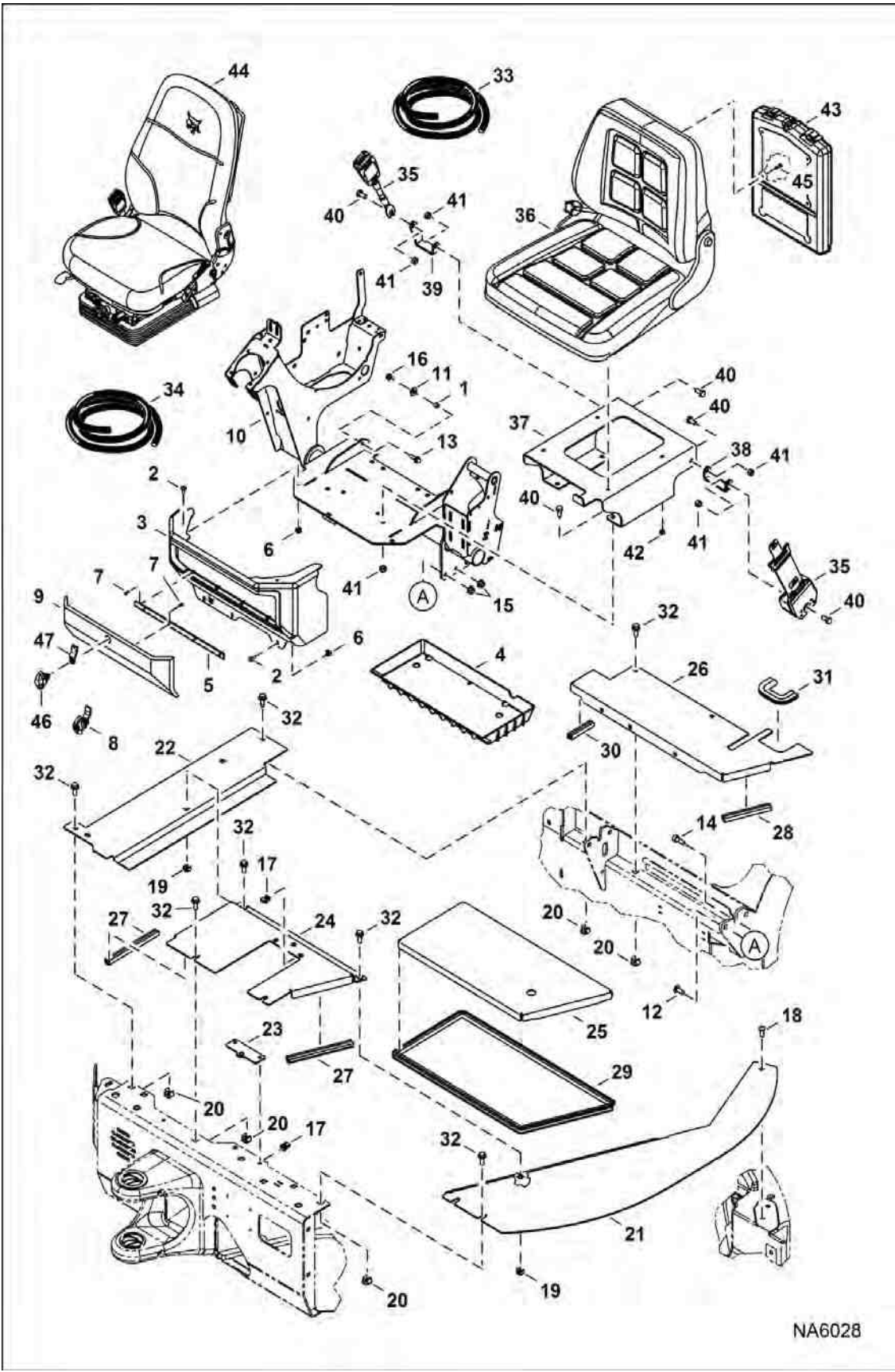
(Floor)
(S/N AB8B11001 - AB8B11200)

Ref No	Part Number	Description	Remarks	Serial Number	Qty
1	6802539	SPACER			2
2	6803202	SCREW			5
3	7170706	CONTAINER, STORAGE			1
4	7236279	MAT, FLOOR	1.69" Side Height		1
4		CONTAINER, STORAGE	NLA - 3.99" Side Height - Order 7236279 - Was 7170708 [A]		1
5	7170709	HINGE, COVER			1
6	7170765	NUT			5
7	7208340	SCREW			8
8		LATCH, HANDLE	NLA - Order Ref. 46 & Ref. 47 - Was 7186648 [A]		1
9	7188090	DOOR, STORAGE			1
10	7199673	FRAME OPERATOR W/A			1
11	25E16	WSHR			2
12	28CM1025	BOLT CARRIAGE 8.8			4
13	29CM825	SCREW HEX HD W/F 8.8			2
14	38CM1212	BOLT, SHOULDER			2
15	43DM10	NUT FLANGED HEX			6
16	51DM8	NUT HX THDLK PREAPPL			8
17	6676169	NUT			4
18	6817769	SCREW			1
19	7155411	NUT			2
20	7155413	NUT			9
21	7160786	PLATE, FLOOR			1
22	7160787	PLATE, FLOOR			1
23	7160789	PLATE, WASHER			1
24	7161772	PLATE, FLOOR			1
25	7161773	PLATE, FLOOR			1
26	7161774	PLATE, FLOOR			1
27		SEAL	NLA - 185 mm (7.28") long - Order Ref. 34		2
28		SEAL	NLA - 145 mm (5.71") long - Order Ref. 34		1
29		SEAL	NLA - 1639 mm (64.53") - Order Ref. 34		1
30		SEAL	NLA - 90 mm (3.54") long - Order Ref. 34		1
31		SEAL	NLA - 178 mm (7.03") long - Order Ref. 33		1
32	29CM1025	SCREW FLGD HEX CAP			11
33	7134803	SEAL, BULK	- sold per foot		x
34	7177959	SEAL, BULK BULB	sold per foot		x
35	6670865	BELT, SEAT			1
36	7180305	SEAT PROMEK			1
37	7187733	MOUNT, SEAT	use only W/Ref. 36		1
38	7187734	BRACKET, SEAT BELT			1

OPERATOR AREA & SEAT (Cont'd)

(Floor)

(S/N AB8B11001 - AB8B11200)



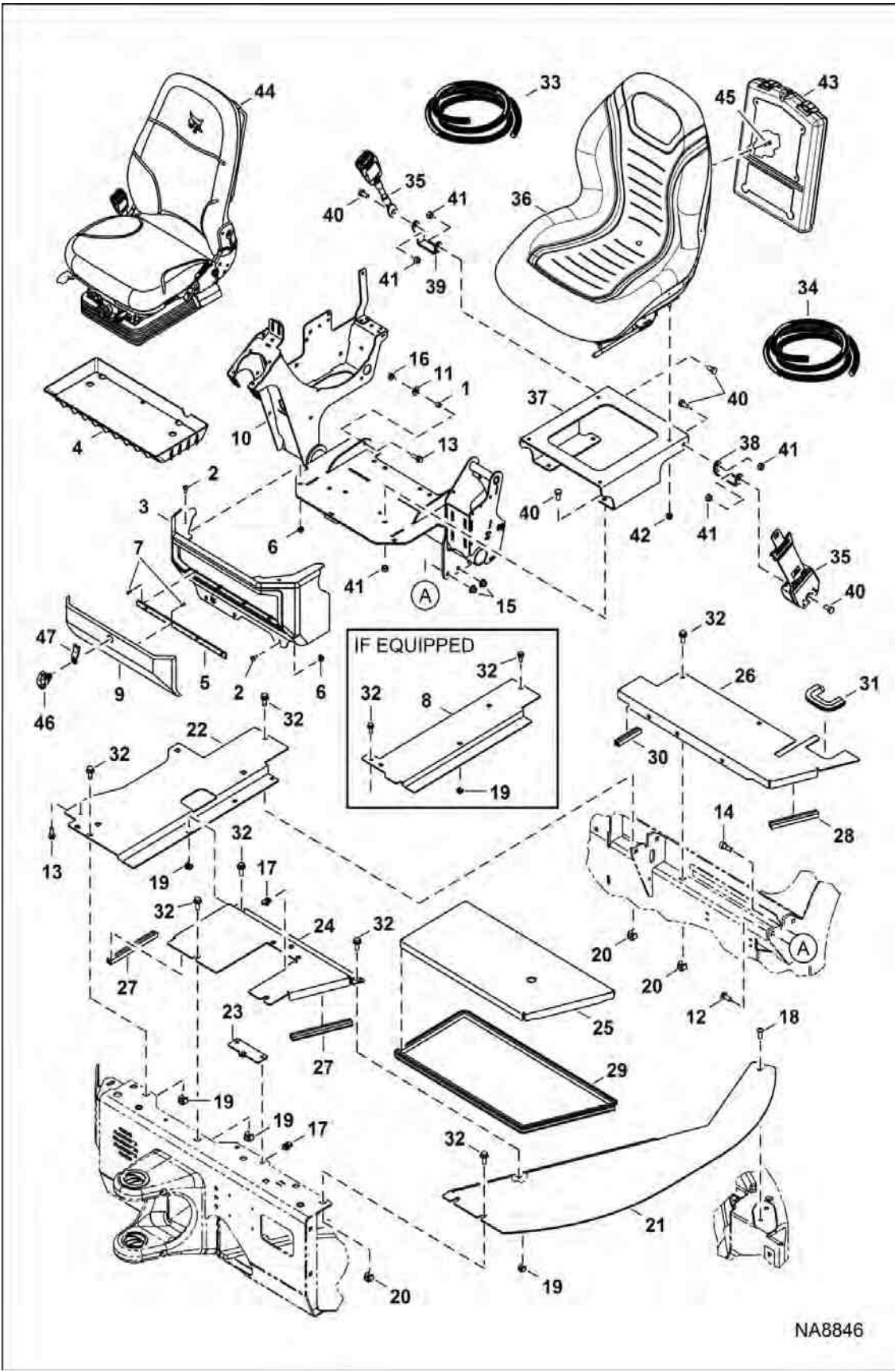
NA6028

OPERATOR AREA & SEAT (Cont'd)

(Floor)
(S/N AB8B11001 - AB8B11200)

Ref No	Part Number	Description	Remarks	Serial Number	Qty
39	7187766	BRACKET, SEAT BELT			1
40	1CM1020	SCREW HEX CAP			8
41	53DM10	NUT HX THDLK PREAPPL			8
42	53DM8	NUT HX THDLK PREAPPL			4
42	51DM8	NUT HX THDLK PREAPPL	for suspension seat		4
43	7178637	BOX MANUAL			1
44		SEAT ASSY	See Illustration SEAT / NA2287 suspension		1
45	27CM510	SCREW HX SOC HD CAP			4
46	7239170	LATCH, HANDLE	Use W/Ref. 47 (7239274 Cam)		1
47	7239274	CAM, LEVER	Use W/Ref. 46 (7239170 Latch)		1

OPERATOR AREA & SEAT
(Floor)
(S/N AB8B11201 - AB8B12103)



OPERATOR AREA & SEAT (Cont'd)

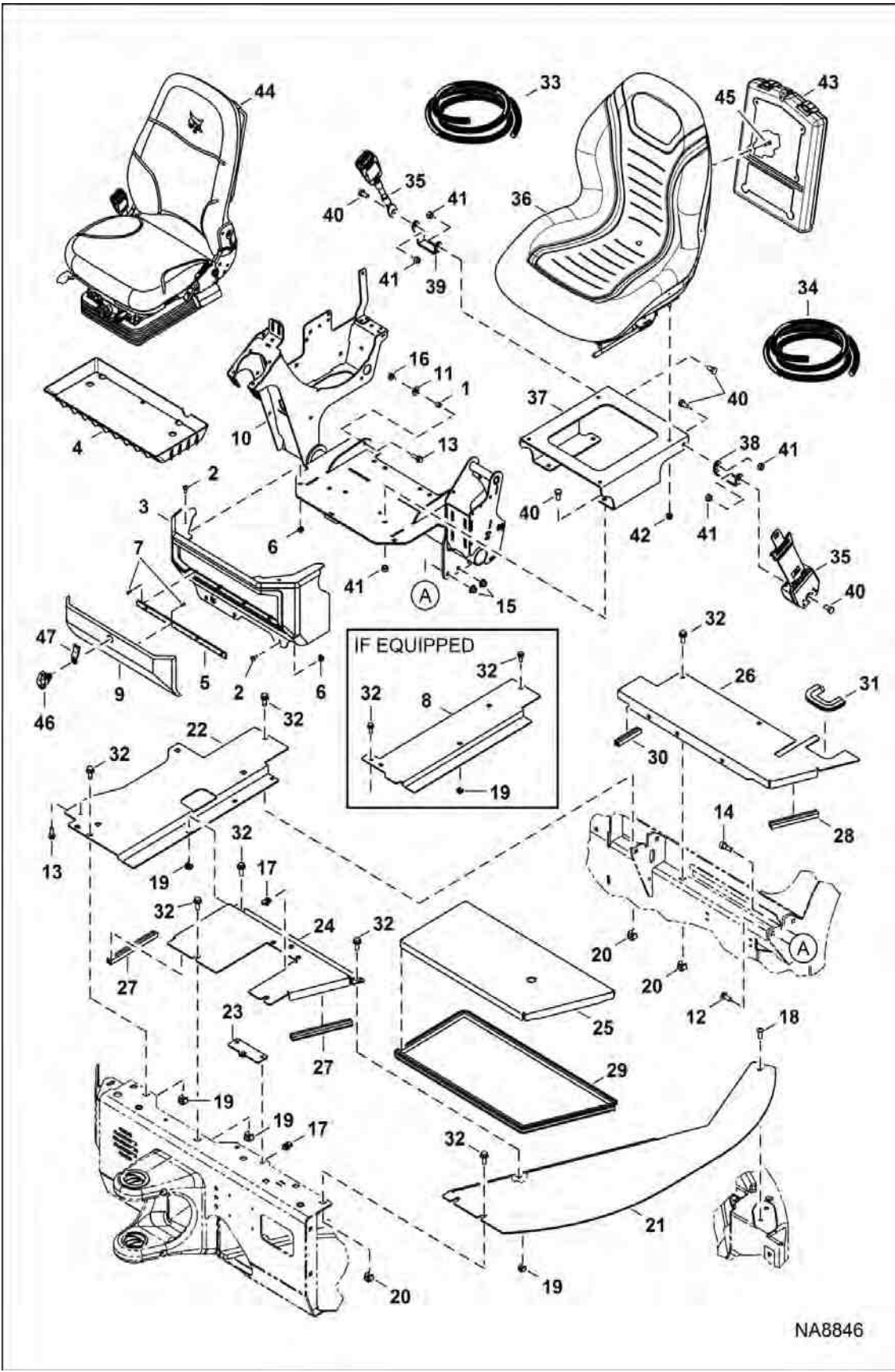
(Floor)
(S/N AB8B11201 - AB8B12103)

Ref No	Part Number	Description	Remarks	Serial Number	Qty
1	6802539	SPACER			2
2	6803202	SCREW			5
3	7170706	CONTAINER, STORAGE			1
4	7236279	MAT, FLOOR			1
5	7170709	HINGE, COVER			1
6	7170765	NUT			5
7	7208340	SCREW			8
8	7160787	PLATE, FLOOR		AB8B11201 - 11999	1
9	7188090	DOOR, STORAGE			1
10	7199673	FRAME OPERATOR W/A			1
11	25E16	WSHR			2
12	28CM1025	BOLT CARRIAGE 8.8			4
13	29CM825	SCREW HEX HD W/F 8.8		AB8B11201 - 11999	2
13	29CM825	SCREW HEX HD W/F 8.8		AB8B12001 & Above	3
14	38CM1212	BOLT, SHOULDER			2
15	43DM10	NUT FLANGED HEX			6
16	51DM8	NUT HX THDLK PREAPPL			8
17	6676169	NUT			4
18	6817769	SCREW			1
19	7155411	NUT		AB8B11201 - 11999	5
19	7155411	NUT		AB8B12001 & Above	3
20	7160786	PLATE, FLOOR			1
21	7241724	PLATE, FLOOR		AB8B12001 & Above	1
22	7160789	PLATE, WASHER			1
23	7161772	PLATE, FLOOR			1
24	7161773	PLATE, FLOOR			1
25	7161774	PLATE, FLOOR			1
26		SEAL	NLA - 185 mm (7.28") long - Order Ref. 34		2
27		SEAL	NLA - 145 mm (5.71") long - Order Ref. 34		1
28		SEAL	NLA - 1639 mm (64.53") - Order Ref. 34		1
29		SEAL	NLA - 90 mm (3.54") long - Order Ref. 34		1
30		SEAL	NLA - 178 mm (7.03") long - Order Ref. 33		1
31	29CM1025	SCREW FLGD HEX CAP		AB8B11201 - 11999	11
31	29CM1025	SCREW FLGD HEX CAP		AB8B12001 & Above	14
32	7134803	SEAL, BULK	- sold per foot		x
33	7177959	SEAL, BULK BULB	sold per foot		x

OPERATOR AREA & SEAT (Cont'd)

(Floor)

(S/N AB8B11201 - AB8B12103)



OPERATOR AREA & SEAT (Cont'd)

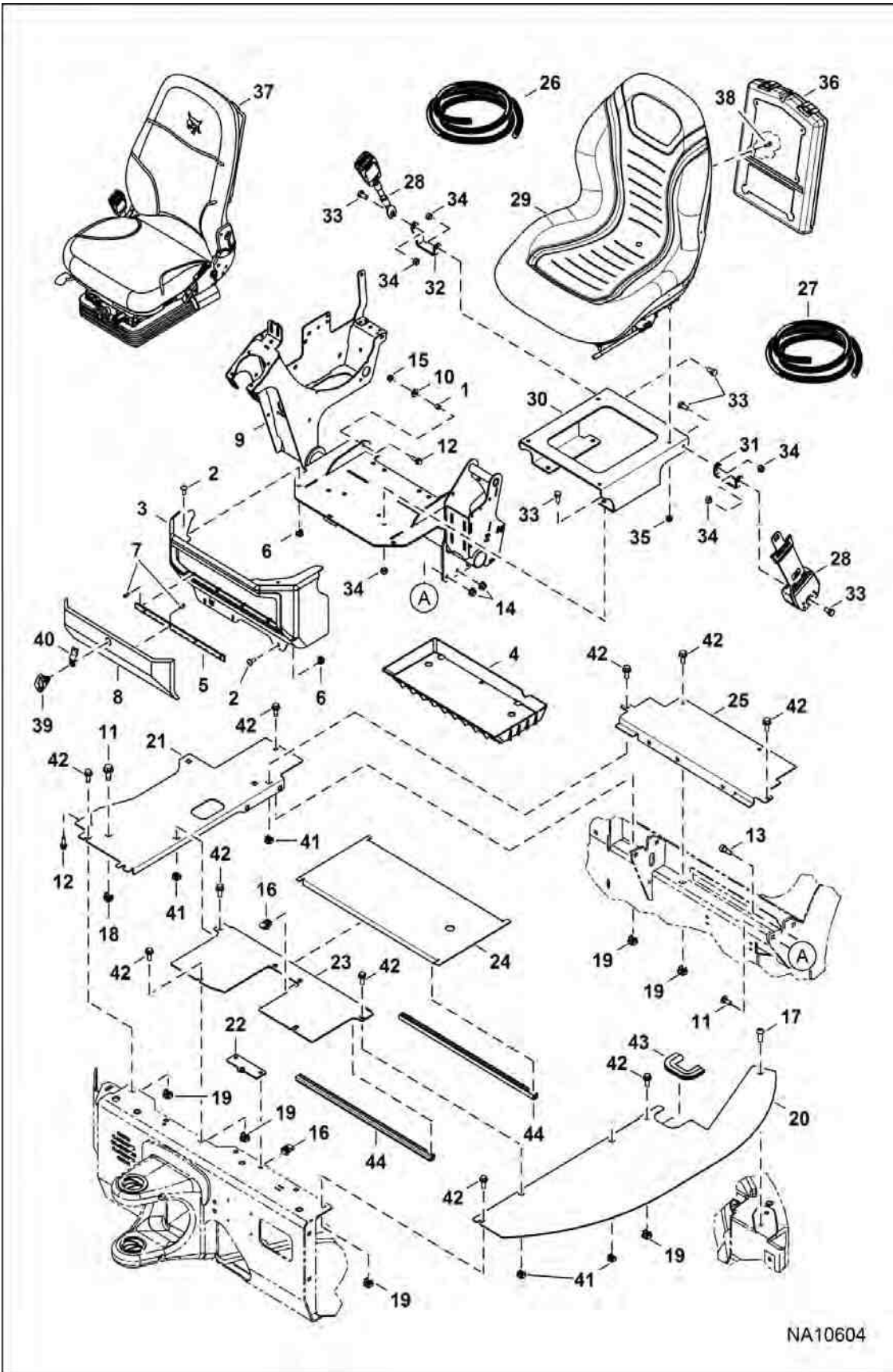
(Floor)
(S/N AB8B11201 - AB8B12103)

Ref No	Part Number	Description	Remarks	Serial Number	Qty
34	6670865	BELT, SEAT			1
35	7241303	SEAT, OPERATOR BUCKET VINYL			1
36	7239202	MOUNT, SEAT			1
37	7187734	BRACKET, SEAT BELT			1
38	7187766	BRACKET, SEAT BELT			1
39	1CM1020	SCREW HEX CAP			8
40	53DM10	NUT HX THDLK PREAPPL			8
41	53DM8	NUT HX THDLK PREAPPL			4
41	51DM8	NUT HX THDLK PREAPPL	for suspension seat		4
42	7178637	BOX MANUAL			1
43		SEAT ASSY	See Illustration SEAT / NA2287 - suspension		1
44	27CM510	SCREW HX SOC HD CAP			4
45	7239170	LATCH, HANDLE			1
46	7239274	CAM, LEVER			1

OPERATOR AREA & SEAT

(Floor)

(S/N AB8B12104 & Above)



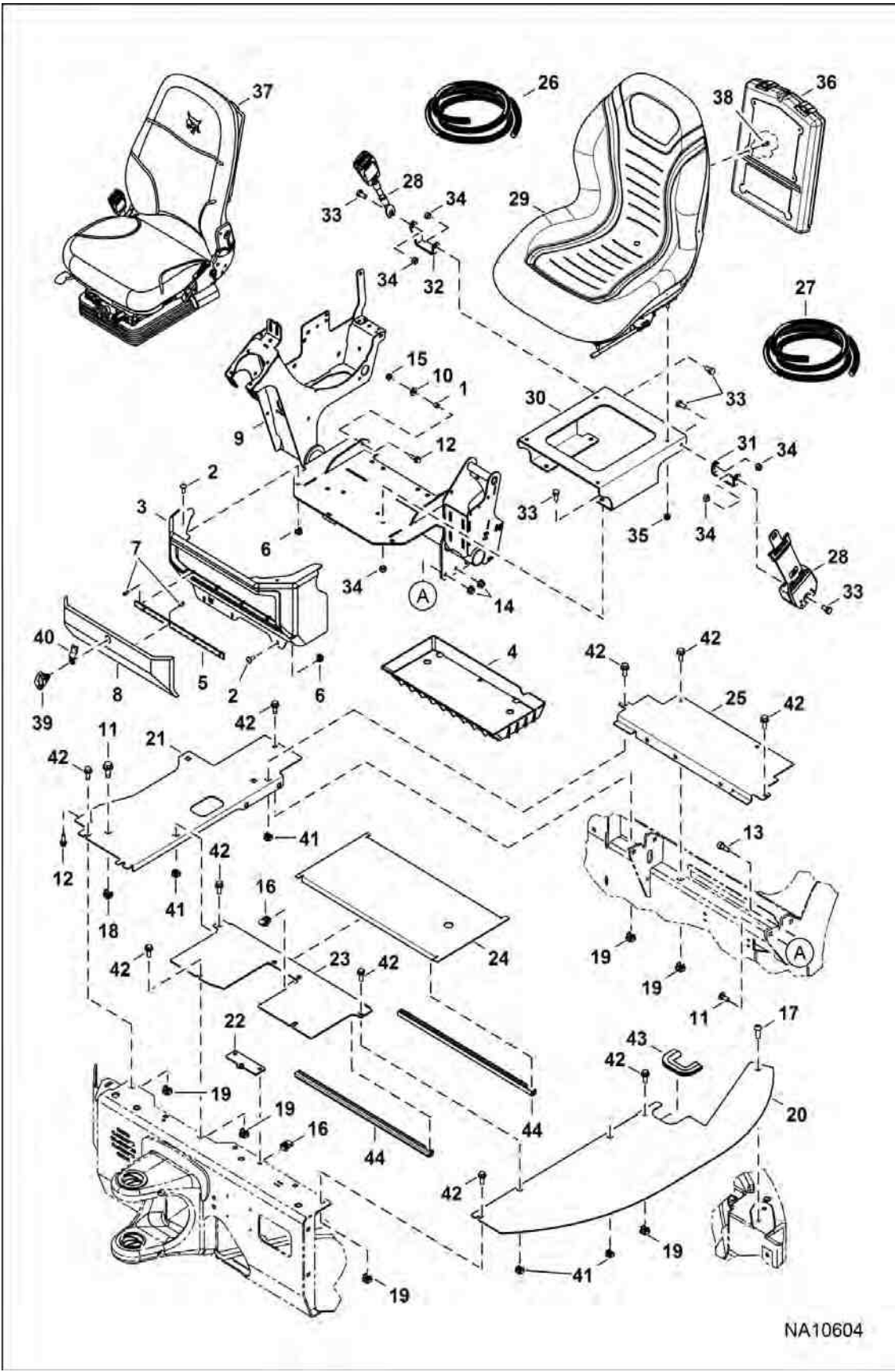
NA10604

OPERATOR AREA & SEAT (Cont'd)

(Floor)
(S/N AB8B12104 & Above)

Ref No	Part Number	Description	Remarks	Serial Number	Qty
1	6802539	SPACER			2
2	6803202	SCREW			5
3	7170706	CONTAINER, STORAGE			1
4	7236279	MAT, FLOOR			1
5	7170709	HINGE, COVER			1
6	7170765	NUT			5
7	7208340	SCREW			8
8	7188090	DOOR, STORAGE			1
9	7199673	FRAME OPERATOR W/A			1
10	25E16	WSHR			2
11	28CM1025	BOLT CARRIAGE 8.8			4
12	29CM825	SCREW HEX HD W/F 8.8			3
13	38CM1212	BOLT, SHOULDER			2
14	43DM10	NUT FLANGED HEX			6
15	51DM8	NUT HX THDLK PREAPPL			2
16	6676169	NUT			4
17	6817769	SCREW			1
18	7155411	NUT			3
19	7254120	NUT, CLIP			9
20	7254370	PLATE, FLOOR			1
21	7255741	PLATE, FLOOR			1
22	7160789	PLATE, WASHER			1
23	7254372	PLATE, FLOOR			1
24	7254373	PLATE, FLOOR			1
25	7254374	PLATE, FLOOR			1
26	7134803	SEAL, BULK	- sold per foot		x
27	7177959	SEAL, BULK BULB	sold per foot		x
28	6670865	BELT, SEAT			1
29	7241303	SEAT, OPERATOR BUCKET VINYL			1
30	7239202	MOUNT, SEAT			1
31	7187734	BRACKET, SEAT BELT			1
32	7187766	BRACKET, SEAT BELT			1
33	1CM1020	SCREW HEX CAP			8
34	53DM10	NUT HX THDLK PREAPPL			8
35	53DM8	NUT HX THDLK PREAPPL			4
35	51DM8	NUT HX THDLK PREAPPL	for suspension seat		4

OPERATOR AREA & SEAT (Cont'd)
(Floor)
(S/N AB8B12104 & Above)



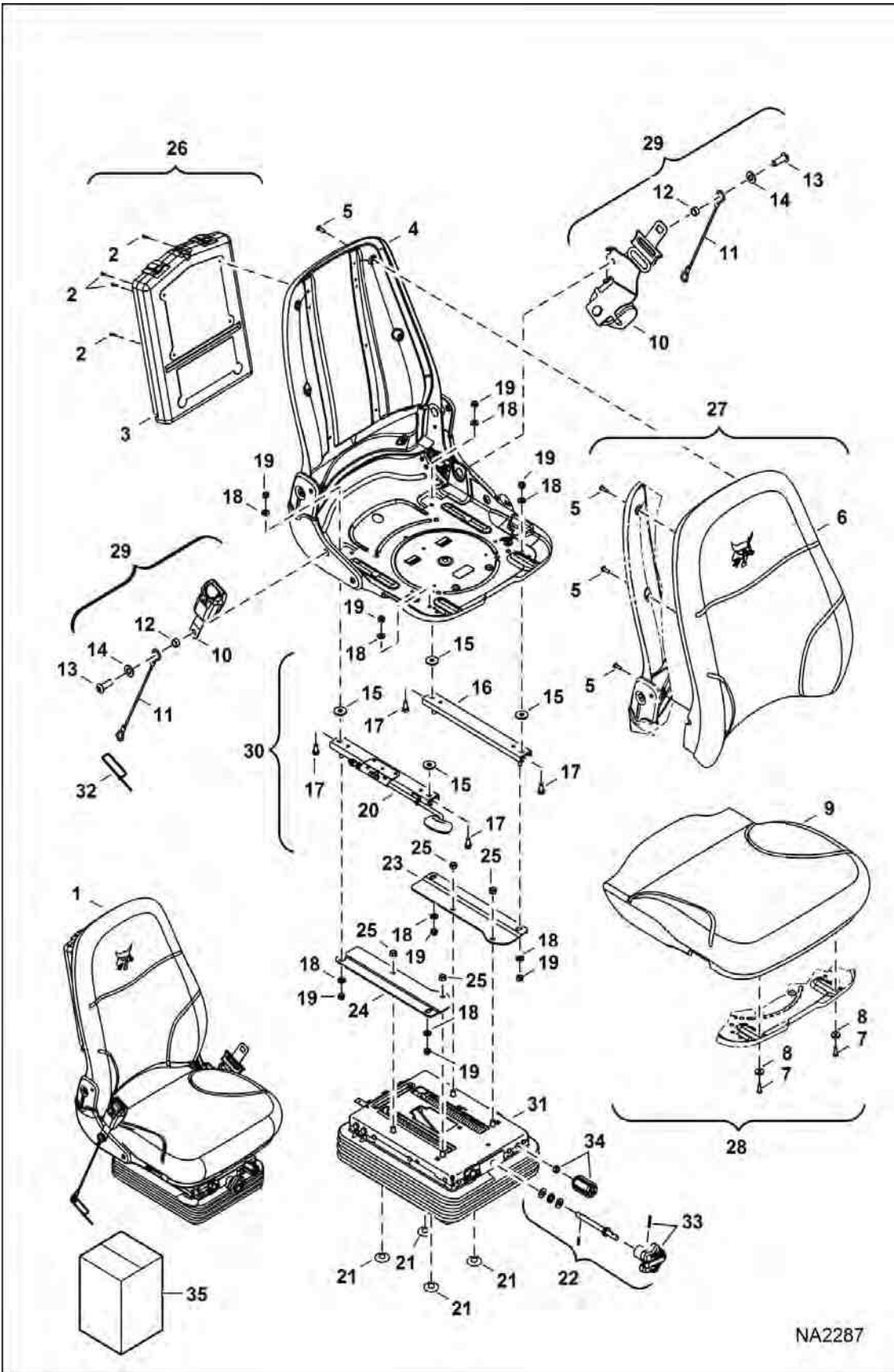
NA10604

OPERATOR AREA & SEAT (Cont'd)

(Floor)
(S/N AB8B12104 & Above)

Ref No	Part Number	Description	Remarks	Serial Number	Qty
36	7178637	BOX MANUAL			1
37		SEAT ASSY	See Illustration SEAT / NA2287 suspension		1
38	27CM510	SCREW HX SOC HD CAP			4
39	7239170	LATCH, HANDLE			1
40	7239274	CAM, LEVER			1
41	7186072	NUT			4
42	29CM820	SCREW FLNGE HEX CAP			13
43		SEAL	NLA - 178.5 mm (7.03") long - Order Ref. 26		x
44		SEAL	NLA - 538 mm (21.18") long - Order Ref. 27		x

SEAT
(Suspension)

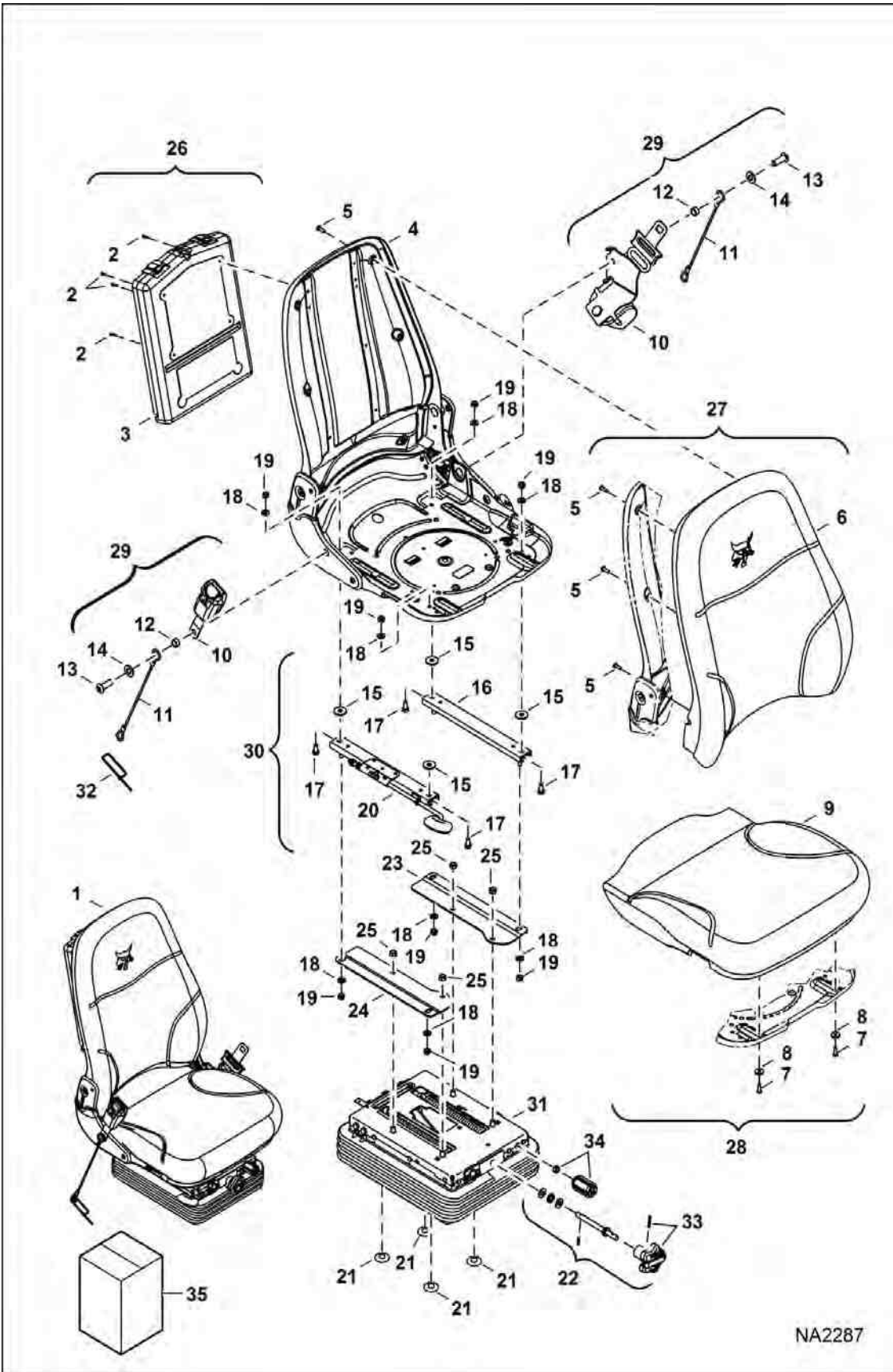


NA2287

SEAT (Cont'd)
(Suspension)

Ref No	Part Number	Description	Remarks	Serial Number	Qty
1	7157550	SEAT, OPERATOR SUSPENSION VINYL	Ref. 2-34		1
1	7169360	SEAT, OPERATOR SUSPENSION CLOTH	Ref. 2-34		1
2		RIVET	NSS		4
3		BOX	NSS - manual		1
4	7012620	KIT, SEAT OPERATOR TOP			1
5		BOLT	NSS		4
6		CUSHION, SEAT	NSS		1
7		BOLT	NSS		4
8		WASHER	NSS		4
9		CUSHION, SEAT	NSS		1
10		SEAT BELT	NSS		1
11		TETHER	NSS		2
12		SPACER	NSS		2
13		BOLT	NSS		2
14		WASHER	NSS		2
15		WASHER	NSS		4
16		SLIDE	NSS		1
17		BOLT	NSS		4
18		WASHER	NSS		8
19		NUT	NSS		8
20		SLIDE	NSS		1
21		PROTECTOR	NSS		4
22	7020238	KIT, KNOB	W/Ref. 33 & 34		1
23		BRACKET	NSS		1
24		BRACKET	NSS		1
25		NUT	NSS		4
26	7012622	KIT, CONTAINER MANUAL	Ref. 2 & 3		1
27	7012625	KIT, BACKREST SEAT	cloth - Ref. 5 & 6		1
27	7012623	KIT, BACKREST SEAT	vinyl - Ref. 5 & 6		1
28	7012626	KIT, CUSHION SEAT	cloth - Ref. 7-9		1
28	7012624	KIT, CUSHION SEAT VINYL	Ref. 7-9		1
29	7012344	BELT, SEAT	Ref. 10-14		1
29		BELT, SEAT	3" KIT		1
30	7012621	KIT, SLIDE	Ref. 15-20		1
31	7020350	KIT, SUSPENSION ASSY	W/Ref. 22 [A]		1
32		STRAP	NSS		1

SEAT (Cont'd)
(Suspension)

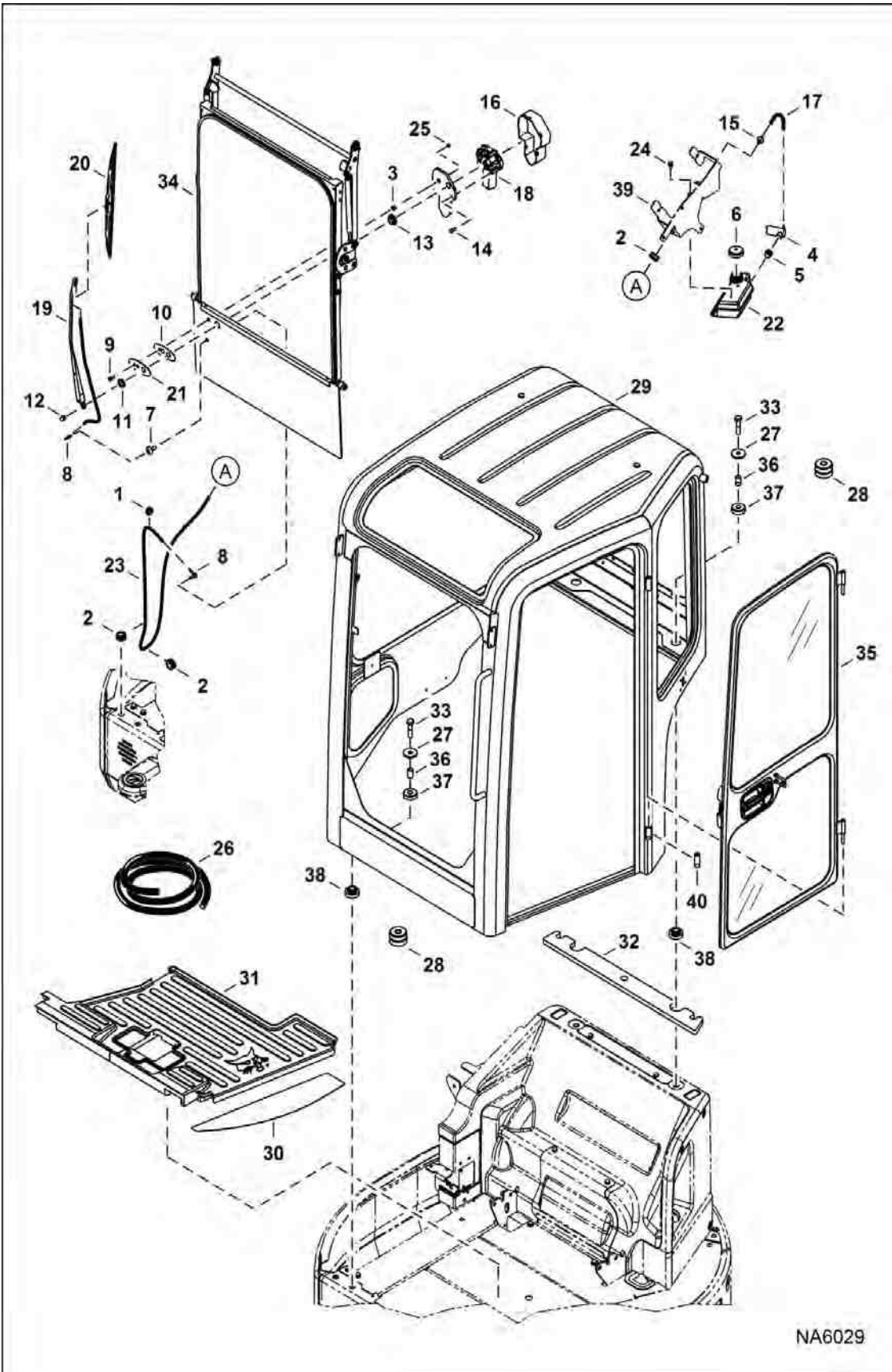


NA2287

SEAT (Cont'd)
(Suspension)

Ref No	Part Number	Description	Remarks	Serial Number	Qty
33	7020240	KNOB, ADJUSTMENT WEIGHT			1
34	7020241	KNOB, ADJUSTMENT HEIGHT			1
35	7244737	KIT, RECLINING LATCH			1

OPERATOR CAB
(Mounting, Front Windows, & Door)
(S/N AB8B11001 - AB8B11999)

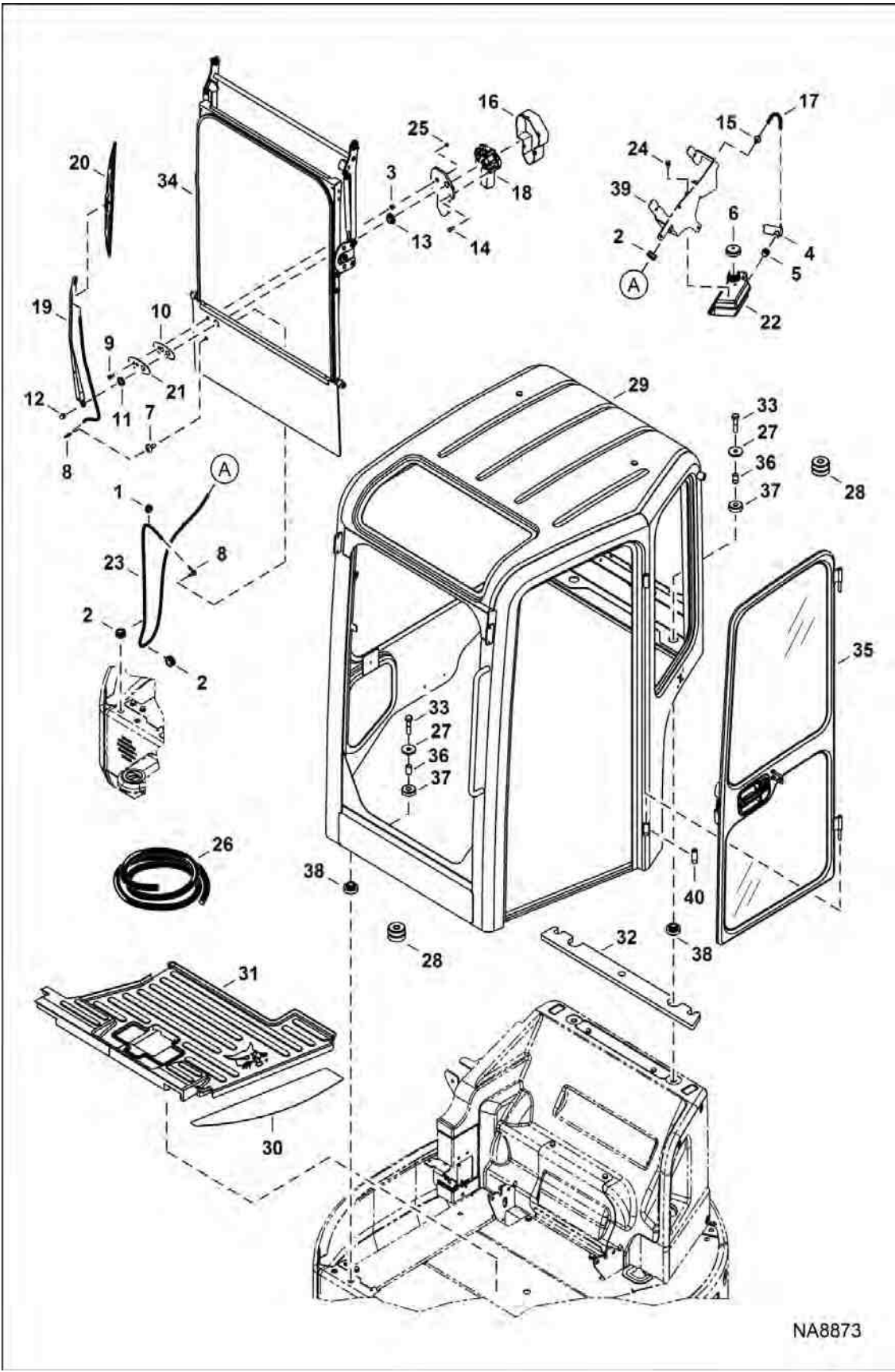


NA6029

OPERATOR CAB (Cont'd)
(Mounting, Front Windows, & Door)
(S/N AB8B11001 - AB8B11999)

Ref No	Part Number	Description	Remarks	Serial Number	Qty
1	515069	GROMMET			1
2	6587887	GROMMET			3
3	6664085	BUSHING			1
4	6664554	PUMP, WIPER WASHER			1
5	6666766	GROMMET			1
6	6674993	CAP			1
7	6676499	GROMMET			1
8	6676917	ELBOW			2
9	7270387	SCREW	Was 6677837		1
10	6677839	GASKET			1
11	6677842	NUT			1
12	6677843	NUT			1
13	6677847	GROMMET			1
14	6681911	SCREW			2
15	6682462	VALVE, CHECK			1
16	6685140	COVER			1
17		HOSE	NLA - 102 mm (4") long - Order Ref. 26		1
18	7008934	MOTOR, WIPER			1
19	7008936	ARM, WIPER			1
20	7008937	BLADE, WIPER WINDOW			1
21	7009047	PLATE			1
22	7133211	TANK, WASHER			1
23		HOSE	NLA - 1320 mm (52") long - Order Ref. 26		1
24	35C408	BOLT			2
25	4DM5	NUT HEXAGON M5			1
26	6708310	HOSE, BULK/FT 100	clear - 0.154" ID - sold per foot		x
27	6805244	WASHER			6
28	7174043	MOUNT, LOAD ISOLATOR ASSY	Ref. 36-38 - includes 1 assy		4
29	7187718	CAB, W/A	Also Order 7223420 frameless window kit if replacing cab W/framed window		1
30	7194930	TREAD, SAFETY			1
31	7199173	MAT, FLOOR	cab		1
32	7202690	SEAL, FOAM			1
33	7CM1460	SCREW			4
34		WINDOW, CAB FRONT	See Illustration OPERATOR CAB / NA2790		1
35	7157151	DOOR, CAB ASSY	See Illustration OPERATOR CAB / NA6043		1
36		TUBE	NSS - Order Ref. 28		4
37		MOUNT	NSS - Order Ref. 28		4
38		MOUNT	NSS - Order Ref. 28		4
39		BRACKET	See Illustration CONTROLS ELECTRICAL / NA6059		1
40	6719341	TUBE,HINGE			2

OPERATOR CAB
(Mounting, Front Windows, & Door)
(S/N AB8B12001 & Above)

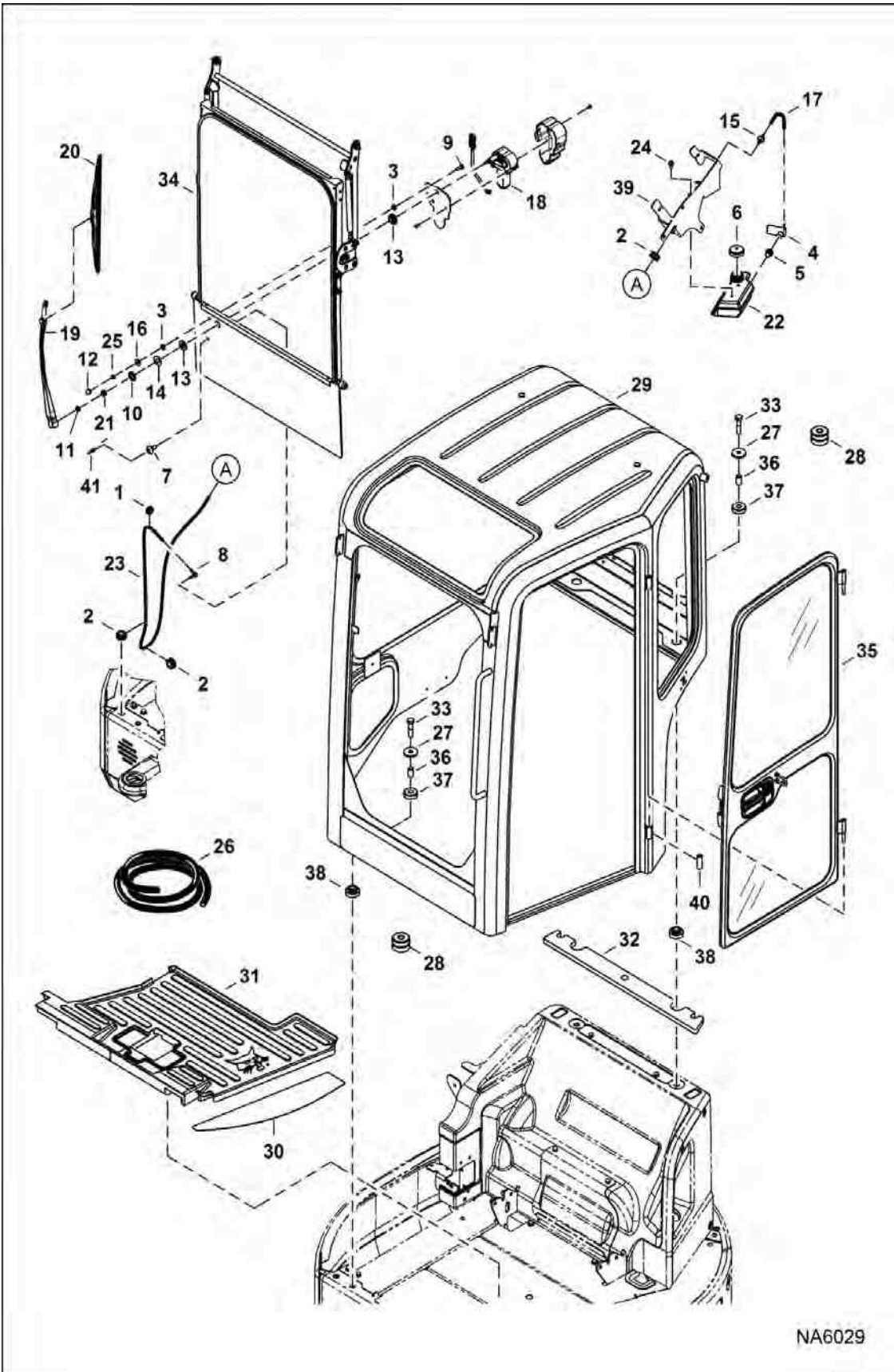


NA8873

OPERATOR CAB (Cont'd)
(Mounting, Front Windows, & Door)
(S/N AB8B12001 & Above)

Ref No	Part Number	Description	Remarks	Serial Number	Qty
1	515069	GROMMET			1
2	6587887	GROMMET			3
3	6664085	BUSHING			1
4	6664554	PUMP, WIPER WASHER			1
5	6666766	GROMMET			1
6	6674993	CAP			1
7	6676499	GROMMET			1
8	6676917	ELBOW			2
9	7270387	SCREW	Was 6677837		1
10	6677839	GASKET			1
11	6677842	NUT			1
12	6677843	NUT			1
13	6677847	GROMMET			1
14	6681911	SCREW			2
15	6682462	VALVE, CHECK			1
16	6685140	COVER			1
17		HOSE	NLA - 102 mm (4") long - Order Ref. 26		1
18	7008934	MOTOR, WIPER			1
19	7008936	ARM, WIPER			1
20	7008937	BLADE, WIPER WINDOW			1
21	7009047	PLATE			1
22	7133211	TANK, WASHER			1
23		HOSE	NLA - 1320 mm (52") long - Order Ref. 26		1
24	35C408	BOLT			2
25	4DM5	NUT HEXAGON M5			1
26	6708310	HOSE, BULK/FT 100	clear - 0.154" ID - sold per foot		x
27	6805244	WASHER			6
28	7174043	MOUNT, LOAD ISOLATOR ASSY	Ref. 36-38 - includes 1 assy		4
29	7241172	CAB, W/A			1
30	7194930	TREAD, SAFETY			1
31	7232439	MAT, FLOOR	cab		1
32	7202690	SEAL, FOAM			1
33	7CM1460	SCREW			4
34		WINDOW, CAB FRONT	See Illustration OPERATOR CAB / NA2790		1
35	7157151	DOOR, CAB ASSY	See Illustration OPERATOR CAB / NA6043		1
36		TUBE	NSS - Order Ref. 28		4
37		MOUNT	NSS - Order Ref. 28		4
38		MOUNT	NSS - Order Ref. 28		4
39		BRACKET	See Illustration CONTROLS ELECTRICAL / NA6059		1
40	6719341	TUBE,HINGE			2

OPERATOR CAB (Mounting, Front Windows, & Door)

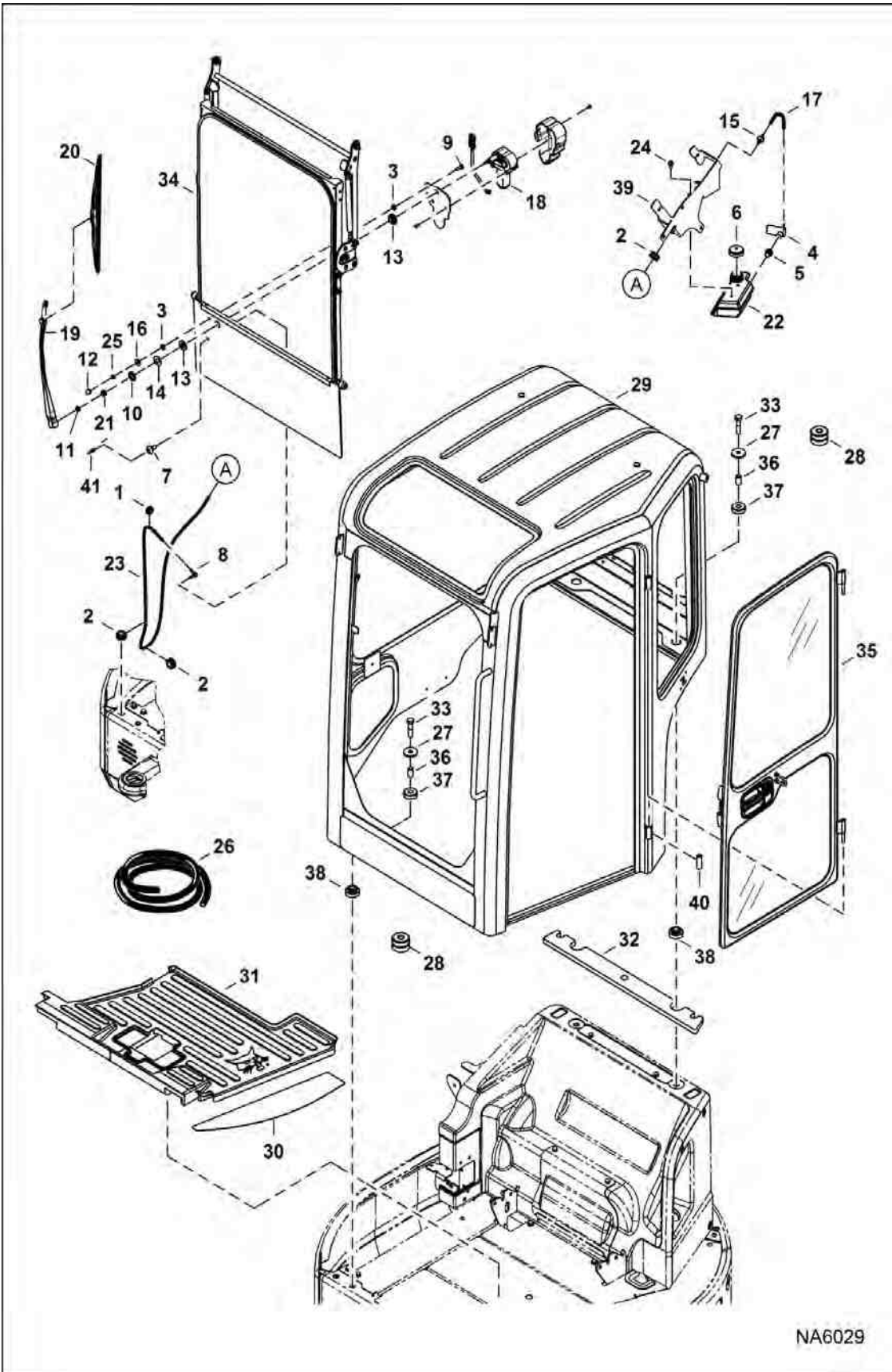


NA6029

OPERATOR CAB (Cont'd)
(Mounting, Front Windows, & Door)

Ref No	Part Number	Description	Remarks	Serial Number	Qty
1	515069	GROMMET			1
2	6587887	GROMMET			3
3	7278996	GASKET			2
4	6664554	PUMP, WIPER WASHER			1
5	6666766	GROMMET			1
6	6674993	CAP			1
7	7167177	GROMMET WIPER			1
8	6676917	ELBOW			1
9	7278995	SCREW			1
10	7279002	NUT, HEX			1
11	7279004	NUT, FLANGE			1
12	7278999	NUT, CAP			1
13	7279000	GASKET			2
14	7279001	WASHER			1
15	6682462	VALVE, CHECK			1
16	7278997	WASHER			1
17		HOSE	NLA - 102 mm (4") long - Order Ref. 26		1
18	7278992	MOTOR, WIPER			1
19	7278993	ARM, WIPER			1
20	7278994	BLADE, WIPER			1
21	7279003	NUT, CAP			1
22	7133211	TANK, WASHER			1
23		HOSE	NLA - 1320 mm (52") long - Order Ref. 26		1
24	35C408	BOLT			2
25	7278998	NUT, HEX			1
26	6708310	HOSE, BULK/FT 100	clear - 0.154" ID - sold per foot		x
27	6805244	WASHER			6
28	7174043	MOUNT, LOAD ISOLATOR ASSY	Ref. 36-38 - includes 1 assy		4
29	7187718	CAB, W/A	Also Order 7223420 frameless window kit if replacing cab W/framed window	AB8B11999 - AB8B12001	1
29	7241172	CAB, W/A		AB8B12002 & Above	1
29	7204078	KIT, CAB	complete - Includes front, top, side, & rear windows, door, decals & 6990168 instruction - Also Order 7223420 frameless window kit if replacing cab W/framed window		1
29	6990168	INSTRUCTIONS			1
30	7194930	TREAD, SAFETY			1
31	7199173	MAT, FLOOR	cab		1
32	7202690	SEAL, FOAM			1
33	7CM1460	SCREW			4
34		WINDOW, CAB FRONT	See Illustration OPERATOR CAB / NA2790		1
35	7157151	DOOR, CAB ASSY	See Illustration OPERATOR CAB / NA6043		1
36		TUBE	NSS - Order Ref. 28		4
37		MOUNT	NSS - Order Ref. 28		4

OPERATOR CAB (Cont'd)
(Mounting, Front Windows, & Door)

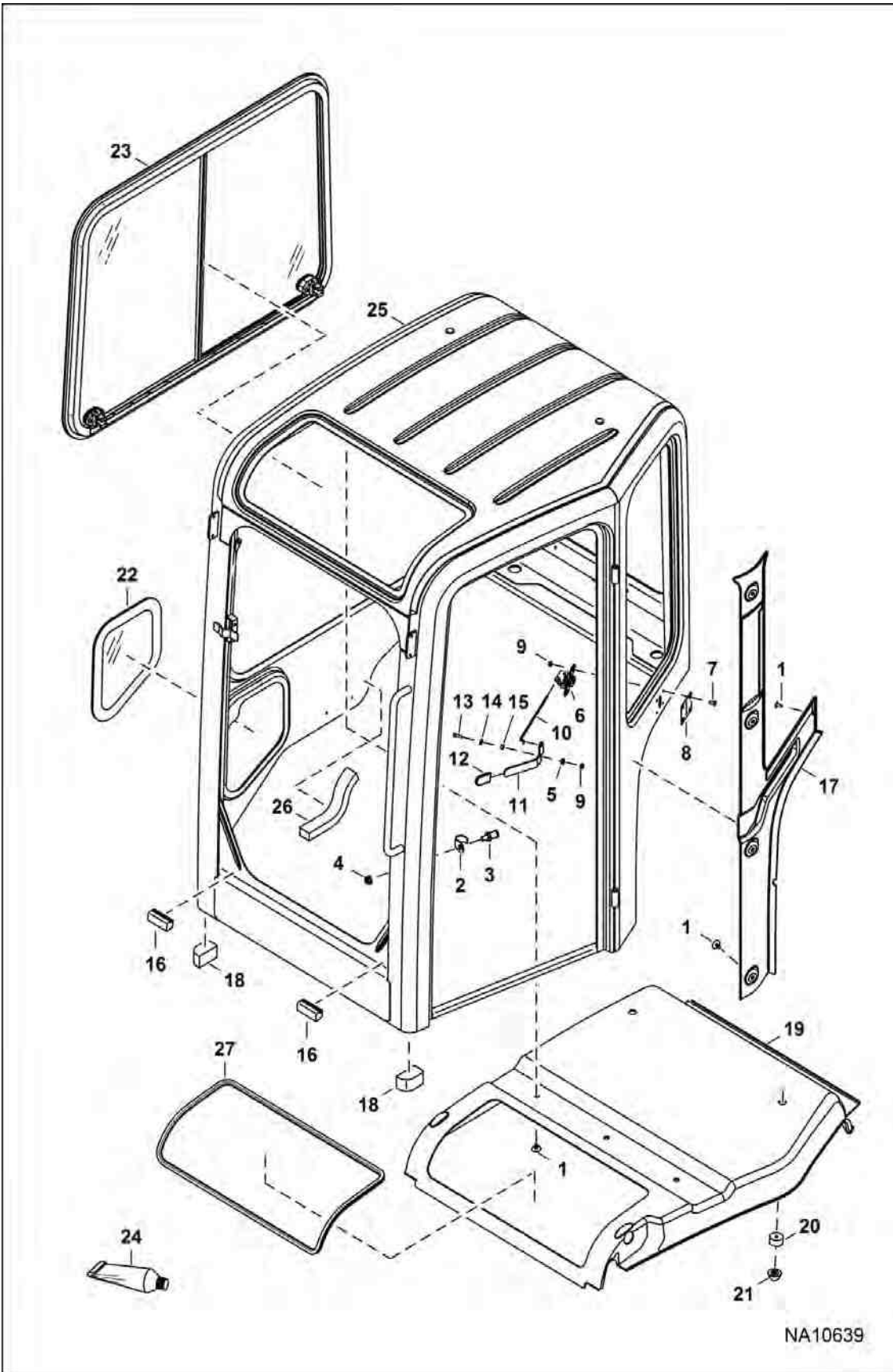


NA6029

OPERATOR CAB (Cont'd)
 (Mounting, Front Windows, & Door)

Ref No	Part Number	Description	Remarks	Serial Number	Qty
38		MOUNT	NSS - Order Ref. 28		4
39		BRACKET			1
40	6719341	TUBE,HINGE			2
41	6676500	ELBOW			1

OPERATOR CAB
(RH Window & Insulation)

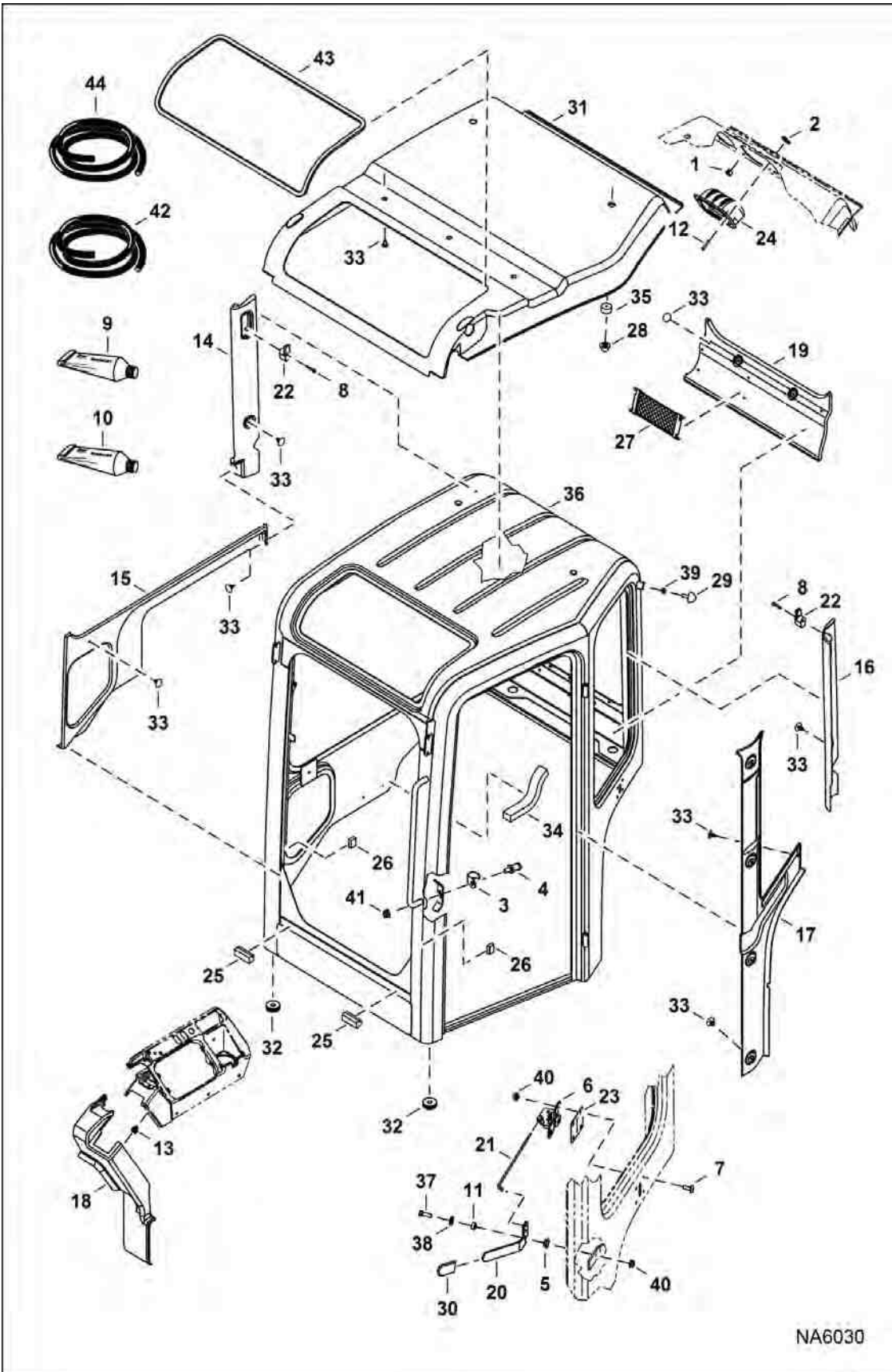


NA10639

OPERATOR CAB (Cont'd)
(RH Window & Insulation)

Ref No	Part Number	Description	Remarks	Serial Number	Qty
1	7182464	CLIP	plastic tree		10
2	6688999	STRIKER GUARD			1
3	6689007	BOLT STRIKER			1
4	55D7	NUT			1
5	6698186	BEARING, CLIP			1
6	6698503	LATCH, HOLD OPEN			1
7	6803202	SCREW			4
8	7170799	SEAL, LATCH			1
9	51DM6	NUT HX THDLK PREAPPL			5
10	7170489	LINK			1
11	7170488	LEVER			1
12	7178708	COVER, HANDLE			1
13	4CM620	BOLT	Was 1CM620 [A]		1
14	25E13	WASHER 5			1
15	7155449	SPACER			1
16	7174507	MOUNT, WINDOW	rubber		2
17	7167098	PANEL, LH			1
18	7180618	SEAL, CAB	if equipped		1
19	7232868	HEADLINER			1
20	7182957	SPACER			2
21	7178702	BUMPER, RUBBER			2
22	7166468	WINDOW, CAB SIDE FIXED			1
23	7187777	WINDOW, CAB SLIDING			1
24	7230824	ADHESIVE, NON-PRIMER	0,31 L (10.5 oz)		x
25	7241172	CAB, W/A			1
26	7182732	INSULATION			1
27	7180309	WINDOW, CAB TOP			1

OPERATOR CAB (Insulation)



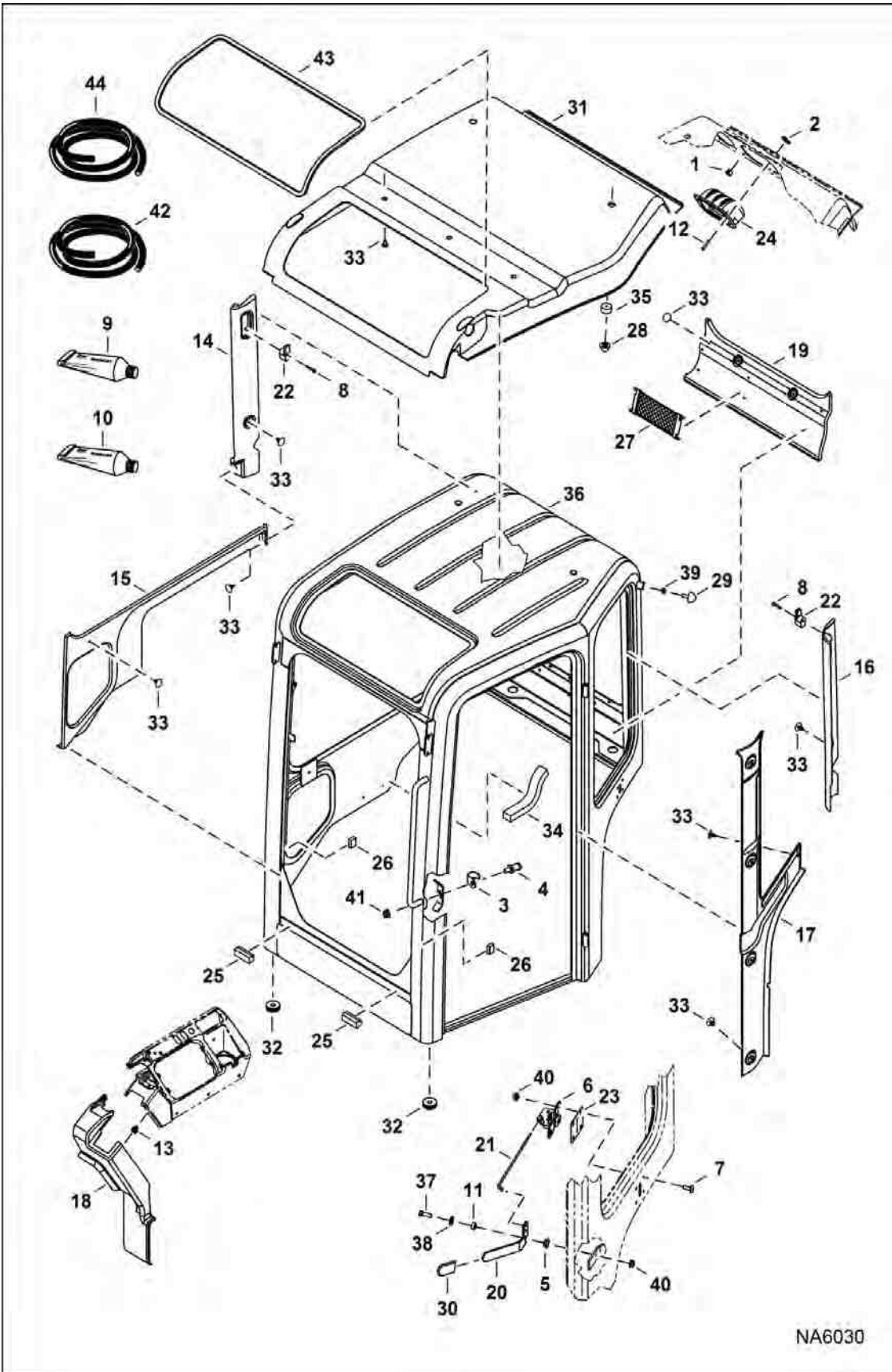
NA6030

OPERATOR CAB (Cont'd)
(Insulation)

Ref No	Part Number	Description	Remarks	Serial Number	Qty
1	6649949	PLUG			1
2	6685744	NUT			4
3	6688999	STRIKER GUARD			1
4	6689007	BOLT STRIKER			1
5	6698186	BEARING, CLIP			1
6	6698503	LATCH, HOLD OPEN			1
7	6803202	SCREW			4
8	6808424	SCREW			2
9	7230824	ADHESIVE, NON-PRIMER	0,31 L (10.5 oz) - Was 6808882 [A]		x
10		PRIMER	NLA - 0,12 L (4.2 oz) - Was 7102268 [A]		x
11	7155449	SPACER			1
12	7163690	SCREW			4
13	7165333	CLIP			4
14	7167095	PANEL, RH			1
15	7167096	PANEL, RH			1
16	7167097	PANEL, LH			1
17	7167098	PANEL, LH			1
18	7168404	COVER, RH			1
19	7169993	PANEL, REAR			1
20	7170488	LEVER			1
21	7170489	LINK			1
22	7170632	HOOK, COAT			2
23	7170799	SEAL, LATCH			1
24	7173287	HOLDER	if equipped		1
25	7174507	MOUNT, WINDOW			2
26		SEAL	NLA - 25,4 mm (1") long - Order Ref. 42		2
27	7176501	HOLDER, MANUAL			1
28	7178702	BUMPER, RUBBER			2
29	7243425	BUMPER, RUBBER	BUMPER, RUBBER - Was 7178703 [A]		1
30	7178708	COVER, HANDLE			1
31	7179100	HEADLINER		AB8B11001 - 11196	1
31	7232300	HEADLINER		AB8B11197 & Above	1
32	6682697	GROMMET			1
33	7182464	CLIP			18
34	7182732	INSULATION			1
35	7182957	SPACER			2
36	7187718	CAB, W/A	Also Order 7223420 frameless window kit if replacing cab W/framed window		1
36	7204078	KIT, CAB	complete - Includes front, top, side, & rear windows, door, decals & 6990168 instruction - Also Order 7223420 frameless window kit if replacing cab W/framed window		1
36	6990168	INSTRUCTIONS			1
37	4CM620	BOLT	Was 1CM620 [A]		1

OPERATOR CAB (Cont'd)

(Insulation)

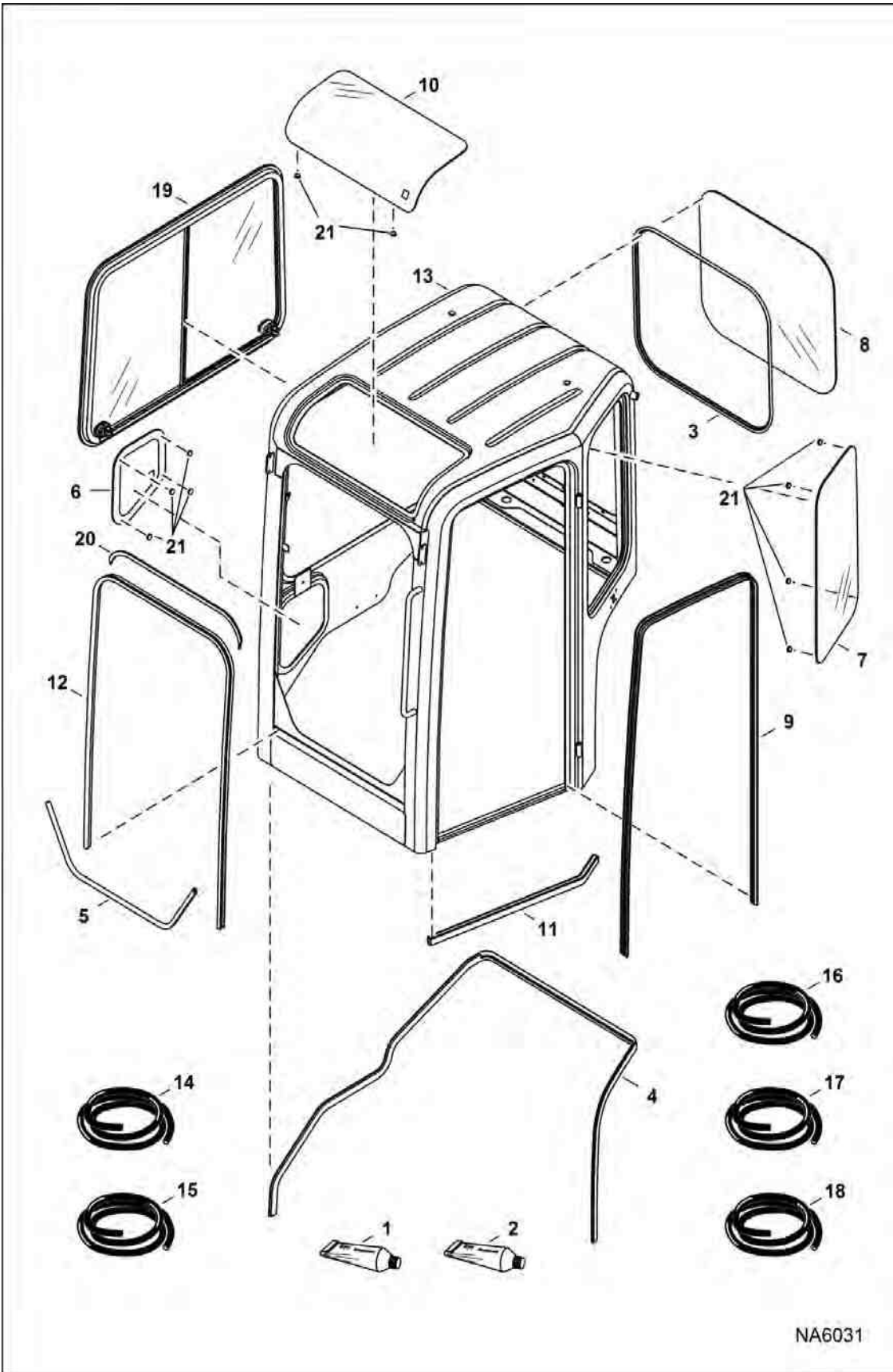


NA6030

OPERATOR CAB (Cont'd)
(Insulation)

Ref No	Part Number	Description	Remarks	Serial Number	Qty
38	25E13	WASHER 5			1
39	4DM10	NUT HEX			1
40	51DM6	NUT HX THDLK PREAPPL			5
41	55D7	NUT			1
42	7174508	SEAL, BULK/FT	bulk - sold per foot		x
43		SEAL, HEADLINER	NLA - 1900mm (74.8") long - Order Ref. 44		1
44	7180711	SEAL, BULK, WINDOW	W/ Ref. 43 - sold per foot		x

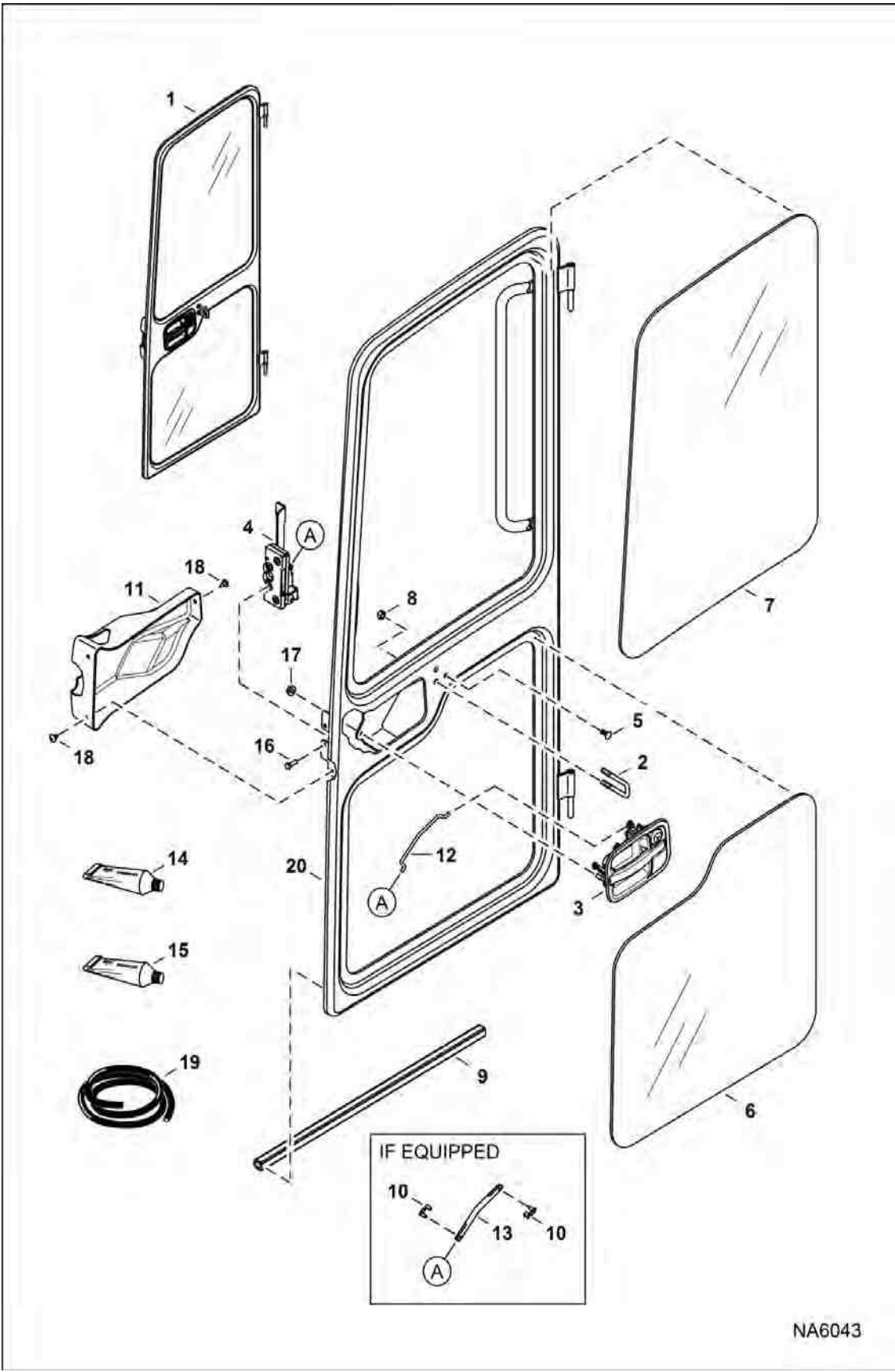
OPERATOR CAB (Windows & Seals)



OPERATOR CAB (Cont'd)
(Windows & Seals)

Ref No	Part Number	Description	Remarks	Serial Number	Qty
1	7230824	ADHESIVE, NON-PRIMER	0,31 L (10.5 oz) - Was 6808882 [A]		x
2		PRIMER	NLA - 0,12 L (4.2 oz) - Was 7102268 [A]		1
3		SEAL	NLA - 2500 mm (98.5") long - Order Ref. 14		1
4	7162756	SEAL, BULB			1
5		SEAL	NLA - 1028 mm (40.5") long - Order Ref. 15		1
6	7166468	WINDOW, CAB SIDE FIXED			1
7	7170287	WINDOW, CAB SIDE FIXED			1
8	7170288	WINDOW, CAB REAR			1
9		SEAL	NLA - 3250 mm (128") long - Order Ref. 16		1
10	7180309	WINDOW, CAB TOP			1
11		SEAL	NLA - 813 mm (32") long - Order Ref. 17		1
12		SEAL	NLA - 118" (3000 mm) long - Order Ref. 18 - Was 7181541 [A]		1
13		CAB, W/A	See Illustration OPERATOR CAB / NA6029 Also Order 7223420 frameless window kit if replacing cab W/framed window	AB8B11001 - AB8B11999	1
13		CAB, W/A	Also Order 7223420 frameless window kit if replacing cab W/framed window	AB8B12001 & Above	1
14	6815939	SEAL (BULK/FOOT)	bulk - sold per foot		x
15	7215489	SEAL, BULK/FT	bulk - sold per foot [A]		x
16	7171866	SEAL, BULK/FT	bulk - sold per foot		x
17	7181465	SEAL, BULK / FT	bulk - sold per foot		x
18	7181540	SEAL, BULK / FT	bulk - sold per foot		x
19	7187777	WINDOW, CAB SLIDING	See Illustration OPERATOR CAB / NA6124		1
20	7217223	SEAL, WINDOW			1
21	7101512	BUMPER			10

OPERATOR CAB
 (Door)
 (S/N AB8B12001 & Above)



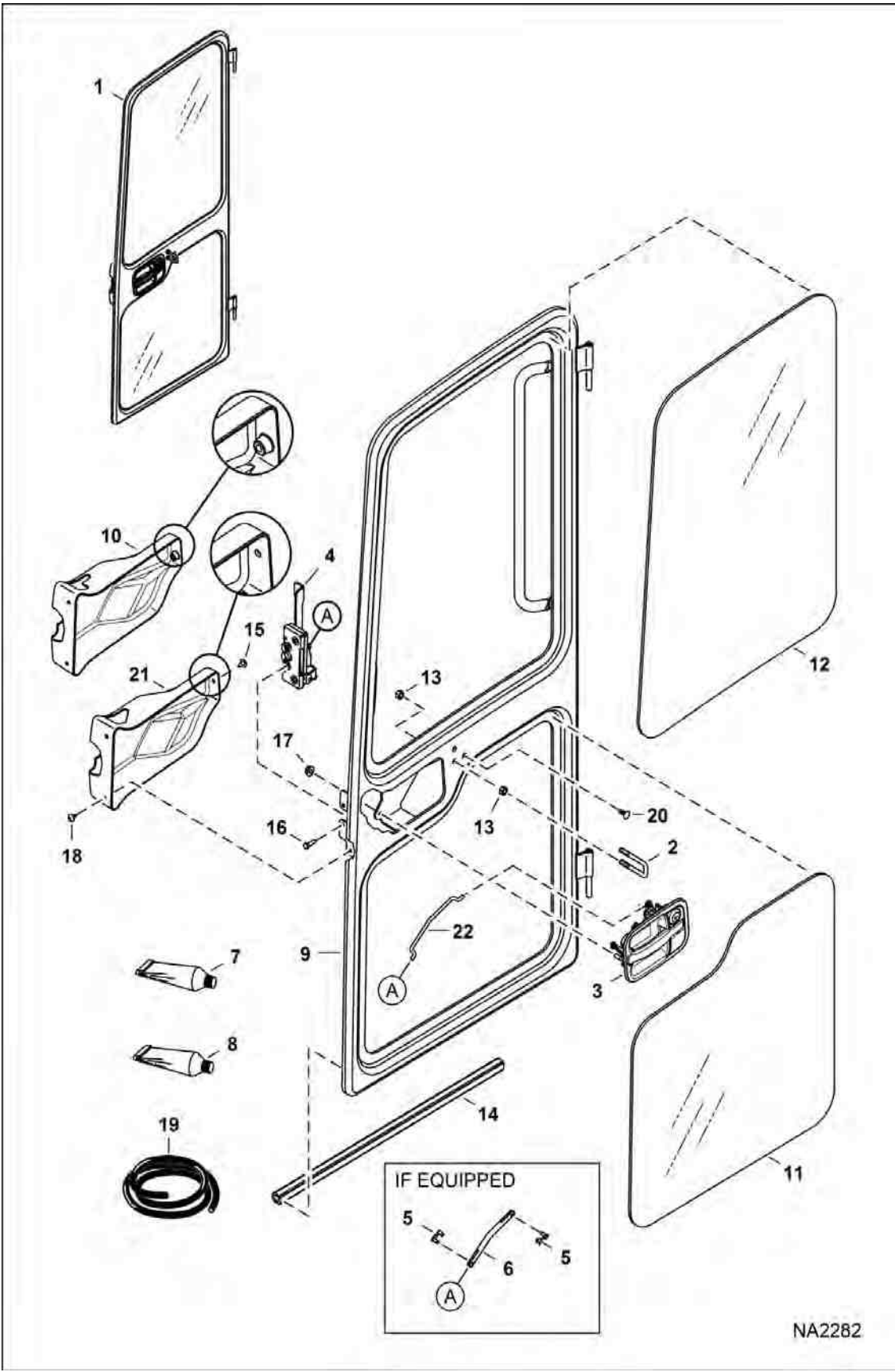
NA6043

OPERATOR CAB (Cont'd)

(Door)
(S/N AB8B12001 & Above)

Ref No	Part Number	Description	Remarks	Serial Number	Qty
1	7157151	DOOR, CAB ASSY	Ref. 2-20		1
2	6698504	U-BOLT			1
3	7008365	HANDLE, DOOR CAB	does not include key - Uses ignition key		1
4	7008366	LATCH, DOOR CAB			1
5	7012810	PLUG			1
6	7170289	WINDOW, DOOR CAB LOWER			1
7	7170290	WINDOW, DOOR CAB UPPER			1
8	4DM8	NUT HEX	Was 7170874 [A]		4
9		SEAL, BULB	NLA - 574 mm (22.6") long - Order Ref. 19		1
10		CLIP, DOOR CAB	NLA - Was 7008367 - Order Ref. 12 [A]		2
11	7189891	COVER, LATCH			1
12	7222013	LINK			1
13		ROD	NLA - Was 7008368 - Order Ref. 12 [A]		1
14	7230824	ADHESIVE, NON-PRIMER	0,31 L (10.5 oz) - Was 6808882 [A]		x
15		PRIMER	NLA - 0,12 L (4.2 oz) - Was 7102268 [A]		x
16	4CM620	BOLT	Was 1CM620 [A]		2
17	51DM6	NUT HX THDLK PREAPPL			2
18	6589675	SCREW			2
19	7174361	SEAL, BULK	bulk - sold per foot		x
20		DOOR W/A	NLA - Order Ref. 1		1

OPERATOR CAB
(Door)
(S/N AB8B11001 - AB8B11999)



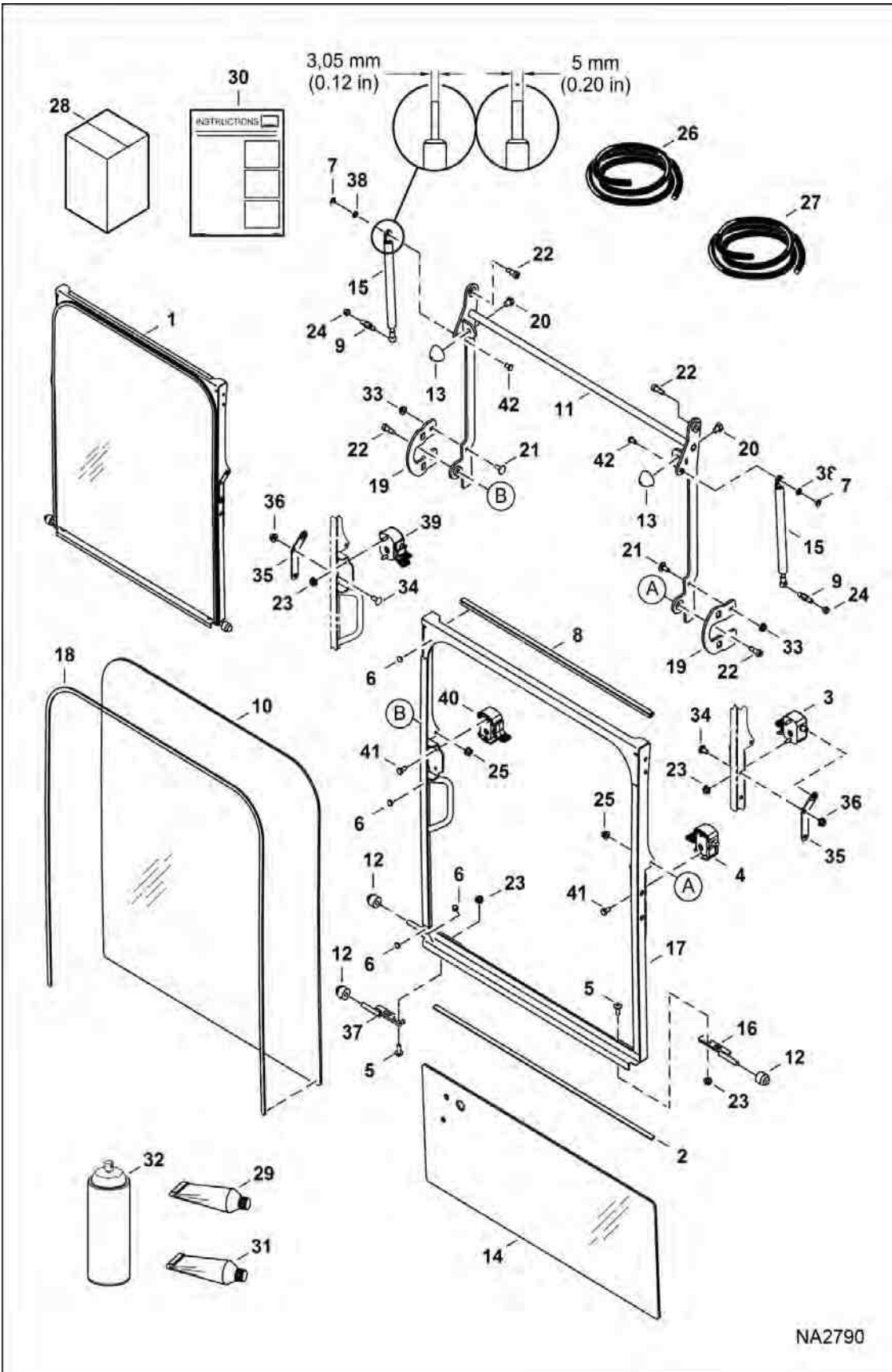
NA2282

OPERATOR CAB (Cont'd)

(Door)
(S/N AB8B11001 - AB8B11999)

Ref No	Part Number	Description	Remarks	Serial Number	Qty
1	7157151	DOOR, CAB ASSY	Ref. 2-21		1
2	6698504	U-BOLT			1
3	7008365	HANDLE, DOOR CAB	does not include key - Uses ignition key		1
4	7008366	LATCH, DOOR CAB			1
5		CLIP, DOOR CAB	NLA - Was 7008367 - Order Ref. 22 [A]		2
6		ROD	NLA - Was 7008368 - Order Ref. 22 [A]		1
7	7230824	ADHESIVE, NON-PRIMER	0,31 L (10.5 oz) - Was 6808882 [A]		x
8		PRIMER	NLA - 0,12 L (4.2 oz) - Was 7102268 [A]		x
9		FRAME, DOOR CAB	NLA - Was 7168014 [A]		1
10		COVER, LATCH	Contact your Local Dealer for Bobcat Technical Information BTI405 NLA - Was 7170112 [A]		1
11	7170289	WINDOW, DOOR CAB LOWER			1
12	7170290	WINDOW, DOOR CAB UPPER			1
13	4DM8	NUT HEX	Was 7170874 [A]		4
14		SEAL, BULB	NLA - 574 mm (22.6") long - Order Ref. 19		1
15	7175050	SCREW	Use W/Ref. 10		1
15	6589675	SCREW	Use W/Ref. 21		1
16	4CM620	BOLT	Was 1CM620 [A]		2
17	51DM6	NUT HX THDLK PREAPPL			2
18	6589675	SCREW			2
19	7174361	SEAL, BULK	bulk - sold per foot		x
20	7012810	PLUG			1
21	7189891	COVER, LATCH			1
22	7222013	LINK			1

OPERATOR CAB (Front Window)



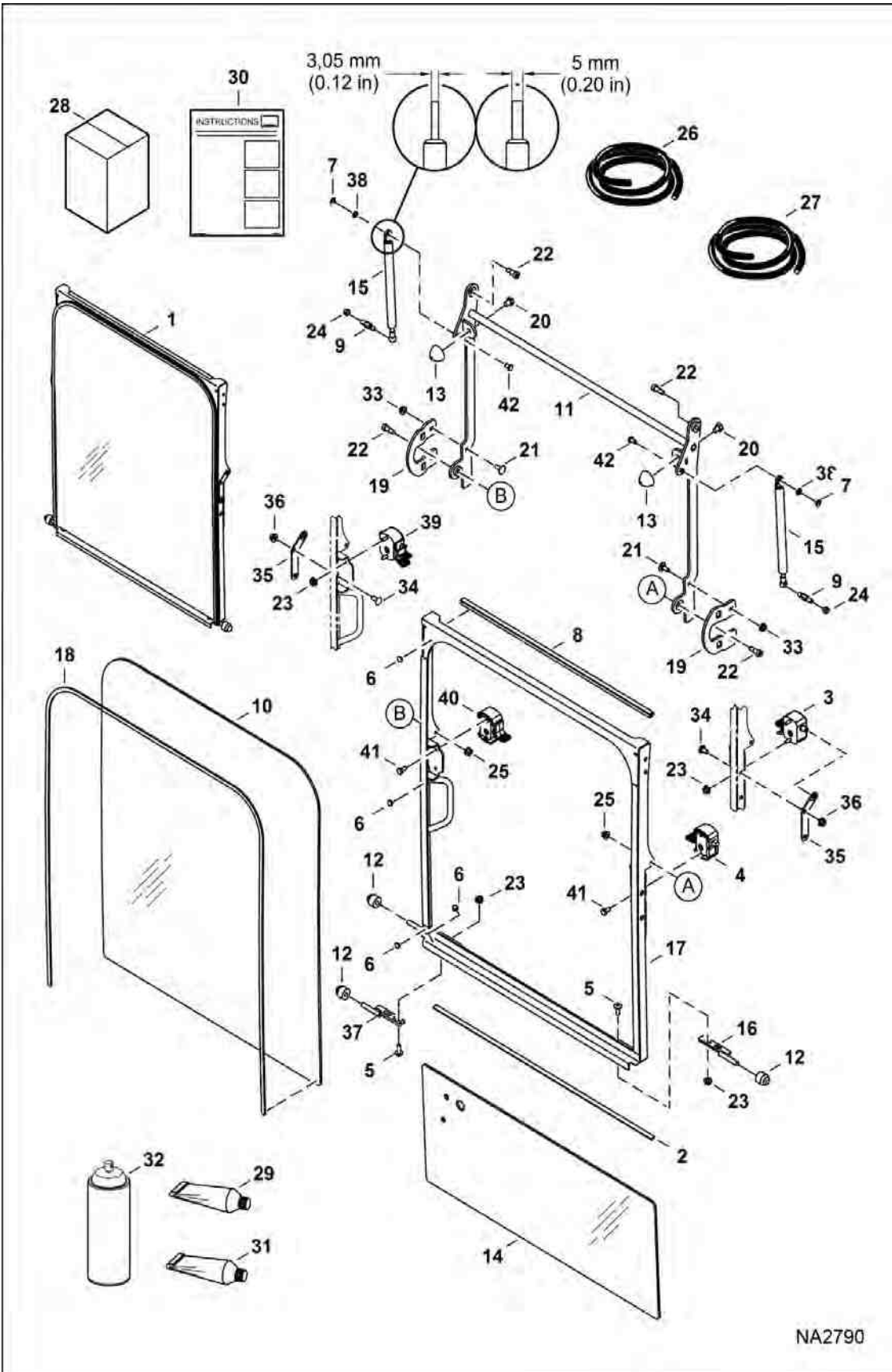
NA2790

OPERATOR CAB (Cont'd)
(Front Window)

Ref No	Part Number	Description	Remarks	Serial Number	Qty
1		WINDOW, CAB FRONT	NLA - Ref. 2-25, & 33-36 - Was 7155916 [A]		1
1		KIT, WINDOW	NLA - Order components - Ref. 2, 4-6, 8, 10, 12, 16-18, 23, 25, 40, 43 & 44 - Was 7215893 [A]		1
1	6990363	INSTRUCTIONS			1
2		SEAL, WINDOW	NLA - flat - 711 mm (28") long - Order Ref. 26		1
4	7023294	LATCH, LH	W/square pin		1
5	6803202	SCREW			4
6	7101512	BUMPER			8
7	9JM60	PIN, RETAINER			2
8		TRIM, WINDOW	NLA - 616 mm (24.2") long - Order Ref. 27		1
9	7177735	STUD, BALL JOINT			2
10		WINDOW, FRONT	NLA - Order Ref. 28		1
11		LINK, WINDOW FRONT	Contact your Local Dealer for Bobcat Technical Information BTI416 NLA - Was 7194753		1
12	7178689	ROLLER			2
13	7178702	BUMPER, RUBBER			2
14	7179045	WINDOW, CAB LOWER			1
15	7179320	GAS SPRING	3,05 mm (.12") base end - must use in matching pairs		2
15	7209896	GAS SPRING	5 mm (.20") base end - must use in matching pairs		2
16		MOUNT, ROLLER	Contact your Local Dealer for Bobcat Technical Information BTI416		1
17	7220029	FRAME, WINDOW FRONT			1
18		SEAL, WINDOW	NLA - 2300 mm (90.5") long - Order Ref. 26		1
19	7194706	PLATE, LATCH	Use W/Ref. 11		2
20	1CM1012	SCREW			2
21	28CM820	BOLT CARRIAGE 8.8			4
22	38C608	SCREW			4
23	51DM6	NUT HX THDLK PREAPPL			10
24	53DM8	NUT HX THDLK PREAPPL			2
25	83D5	NUT 5			2
26	6648416	SEAL BULK /FT	sold per foot		x
27	6682492	EDGE TRIM BULK/FT	bulk - sold per foot		x
28	7185152	KIT WINDOW	Ref. 6, 10, 29, & 30 - Also Order Ref. 31 & 32		1
29	7230824	ADHESIVE, NON-PRIMER	0,31 L (10.5 oz) - Was 6808882 [A]		1
30	6989489ENUS	INSTRUCTIONS	Was 6989489 [A]		1
31		PRIMER	NLA - 0,12 L (4.2 oz) - Was 7102268 [A]		1
32	7110861	CLEANER			1
33	51DM8	NUT HX THDLK PREAPPL			4
34	28CM816	BOLT CARRIAGE 8.8			4

OPERATOR CAB (Cont'd)

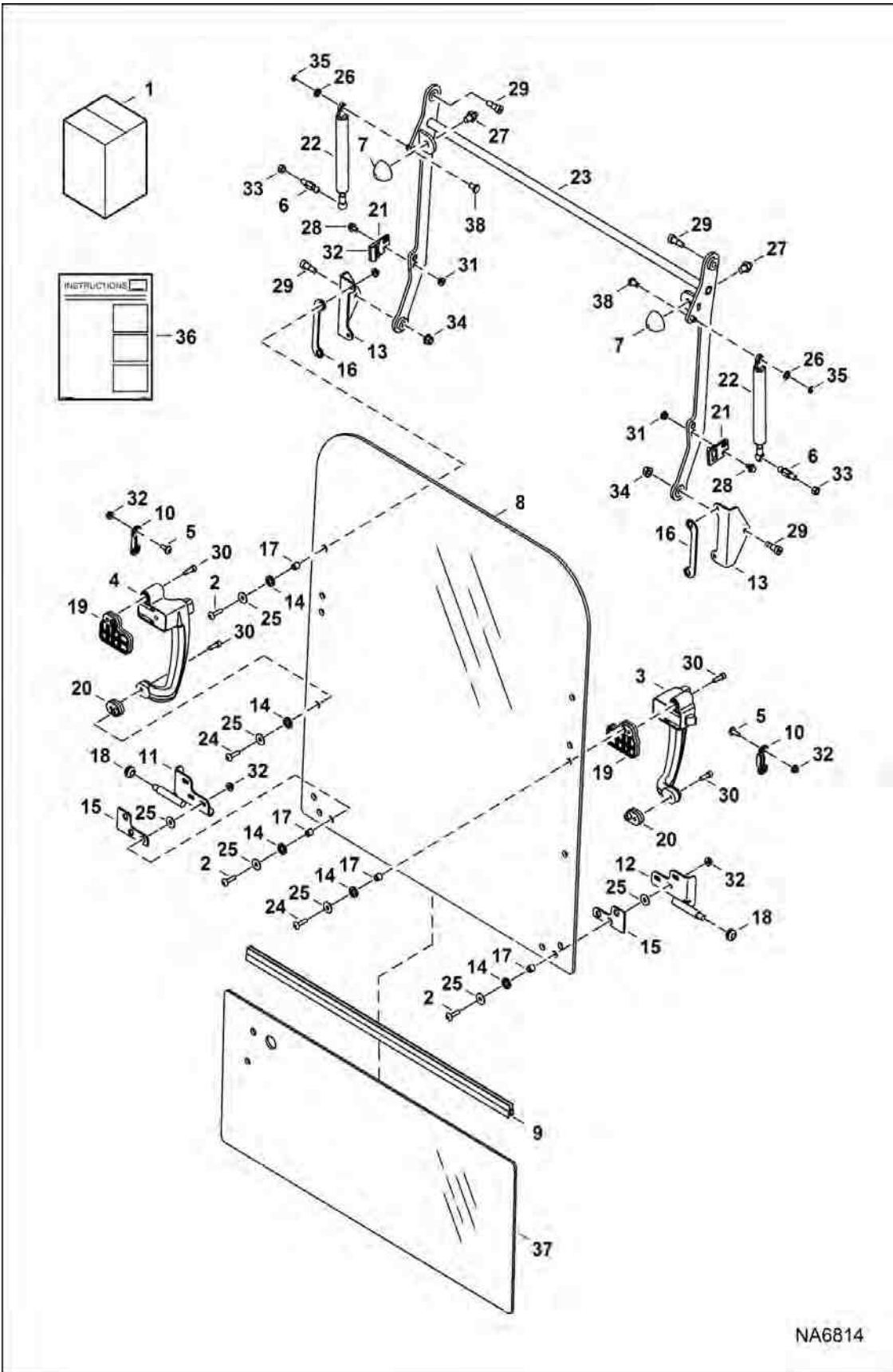
(Front Window)



OPERATOR CAB (Cont'd)
(Front Window)

Ref No	Part Number	Description	Remarks	Serial Number	Qty
35	7192212	BRACKET, LATCH	if equipped - Use W/NLA latch W/round pin only		2
36	51DM8	NUT HX THDLK PREAPPL			4
37		MOUNT, ROLLER	Contact your Local Dealer for Bobcat Technical Information BTI416		1
38	15EM80	WASHER	if equipped		2
39		LATCH, RH	Contact your Local Dealer for Bobcat Technical Information BTI416 - W/round pin		1
40	7023293	LATCH, RH	W/square pin		1
41	4CM612	BOLT	Use W/square pin latch - Was 1CM612 [A]		4

OPERATOR CAB (Front Window) (Frameless)



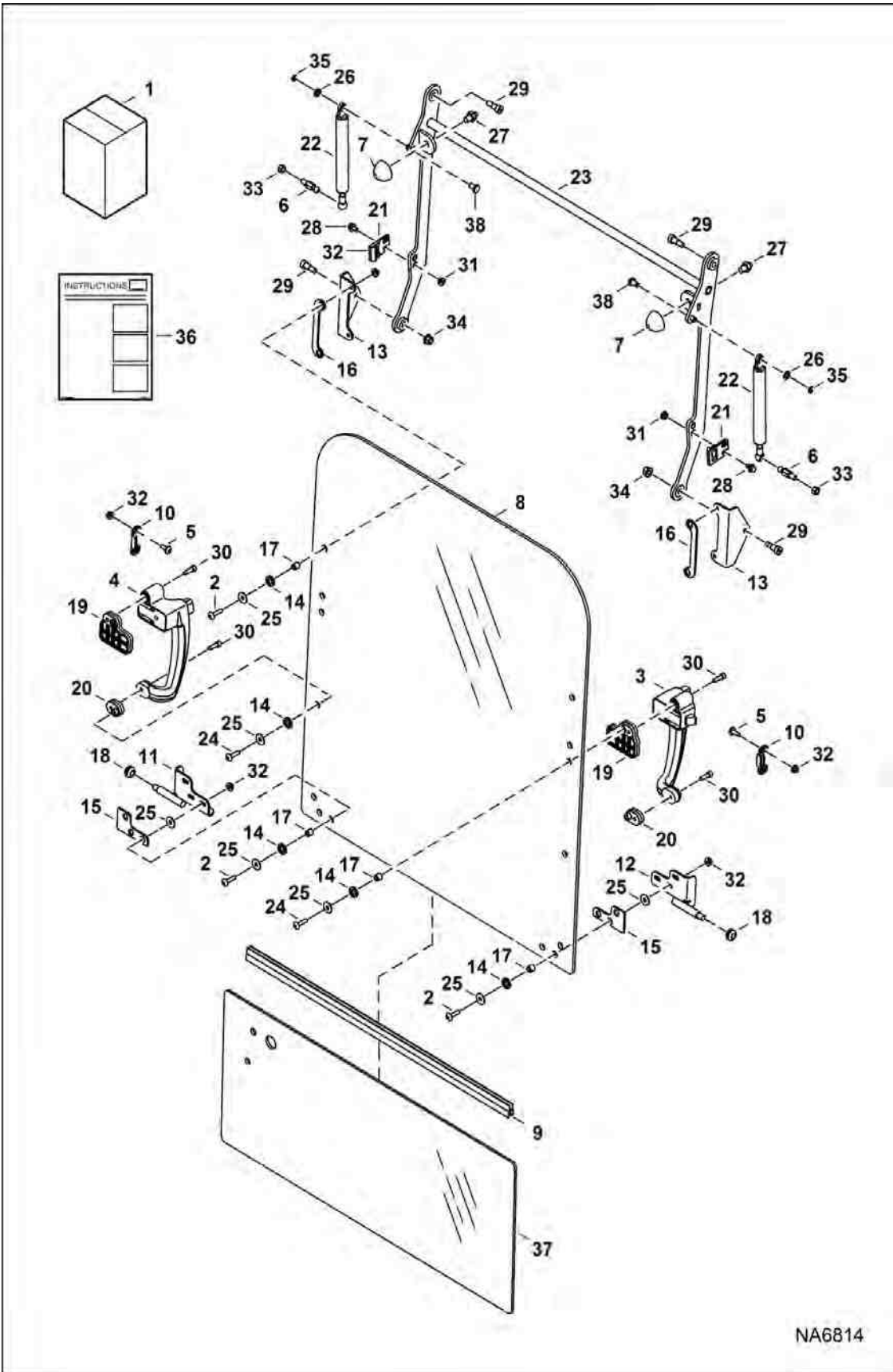
NA6814

OPERATOR CAB (Cont'd)
(Front Window) (Frameless)

Ref No	Part Number	Description	Remarks	Serial Number	Qty
1	7223423	KIT, WINDOW FRONT W/O LINK	Ref. 2-4, 8, 9, 11-20, 24, 25, 30, 32, & 36		1
1	7223420	KIT, WINDOW FRONT W/ LINK	Ref. 2-36		1
2	6816193	SCREW			10
3	7023166	LATCH, WINDOW CAB			1
4	7023167	LATCH, WINDOW CAB			1
5	7122310	TORX BOLT			4
6	7177735	STUD, BALL JOINT			2
7	7178702	BUMPER, RUBBER			2
8	7209964	WINDOW, CAB FRONT			1
9	7210015	SEAL, WINDOW			1
10	7210303	STRIKER, LATCH WINDOW			2
11	7210694	MOUNT, ROLLER			1
12	7210696	MOUNT, ROLLER			1
13	7210795	MOUNT, WINDOW			2
14	7210811	GASKET, WASHER			14
15	7210819	GASKET, ROLLER			2
16	7210822	GASKET, MOUNT			2
17	7210929	SPACER, BRACKET			12
18	7212726	ROLLER, WINDOW			2
19	7213043	SPACER, LATCH UPPER			2
20	7213044	SPACER, LATCH LOWER			2
21	7213572	STRIKER, LATCH WINDOW			2
22	7213698	GAS SPRING			2
23	7214144	LINK, WINDOW FRONT			1
24	7215172	SCREW, MACHINE			4
25	7215175	WASHER, FLAT			20
26	15EM80	WASHER			2
27	1CM1012	SCREW			2
28	29CM610	BOLT			4
29	38C608	SCREW			4
30	3GM620	SCREW, MACHINE			4
31	43DM6	NUT FLANGED HEX			4
32	45DM6	NUT 10			14

OPERATOR CAB (Cont'd)

(Front Window) (Frameless)

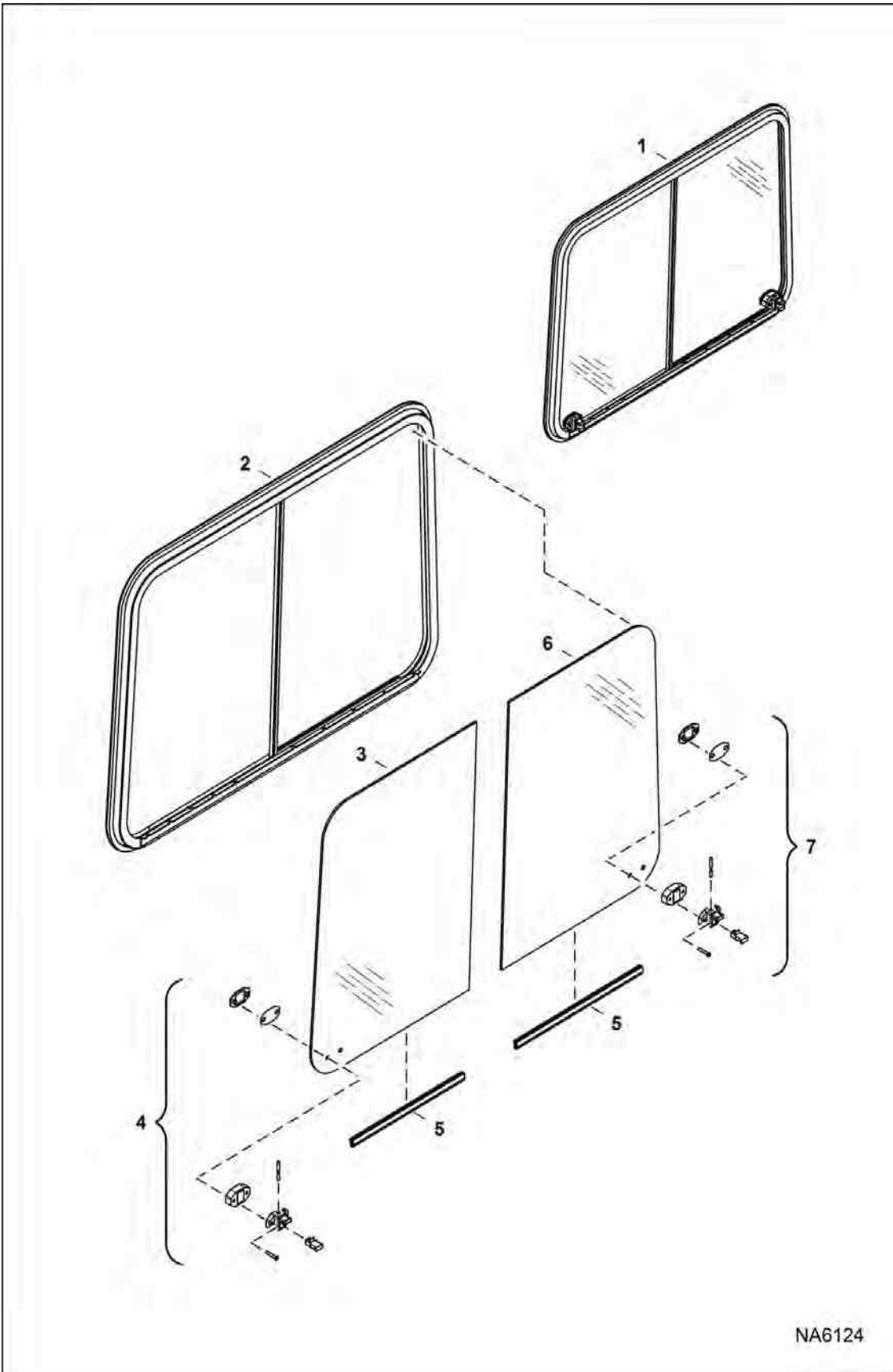


NA6814

OPERATOR CAB (Cont'd)
(Front Window) (Frameless)

Ref No	Part Number	Description	Remarks	Serial Number	Qty
33	53DM8	NUT HX THDLK PREAPPL			2
34	83D5	NUT 5			2
35	9JM60	PIN, RETAINER			2
36	6990513ENUS	INSTRUCTIONS	- Was 6990513 [A]		1
37	7179045	WINDOW, CAB LOWER	not in kit		1
38	7214146	PIN			2

OPERATOR CAB
(RH Window) (Slider)

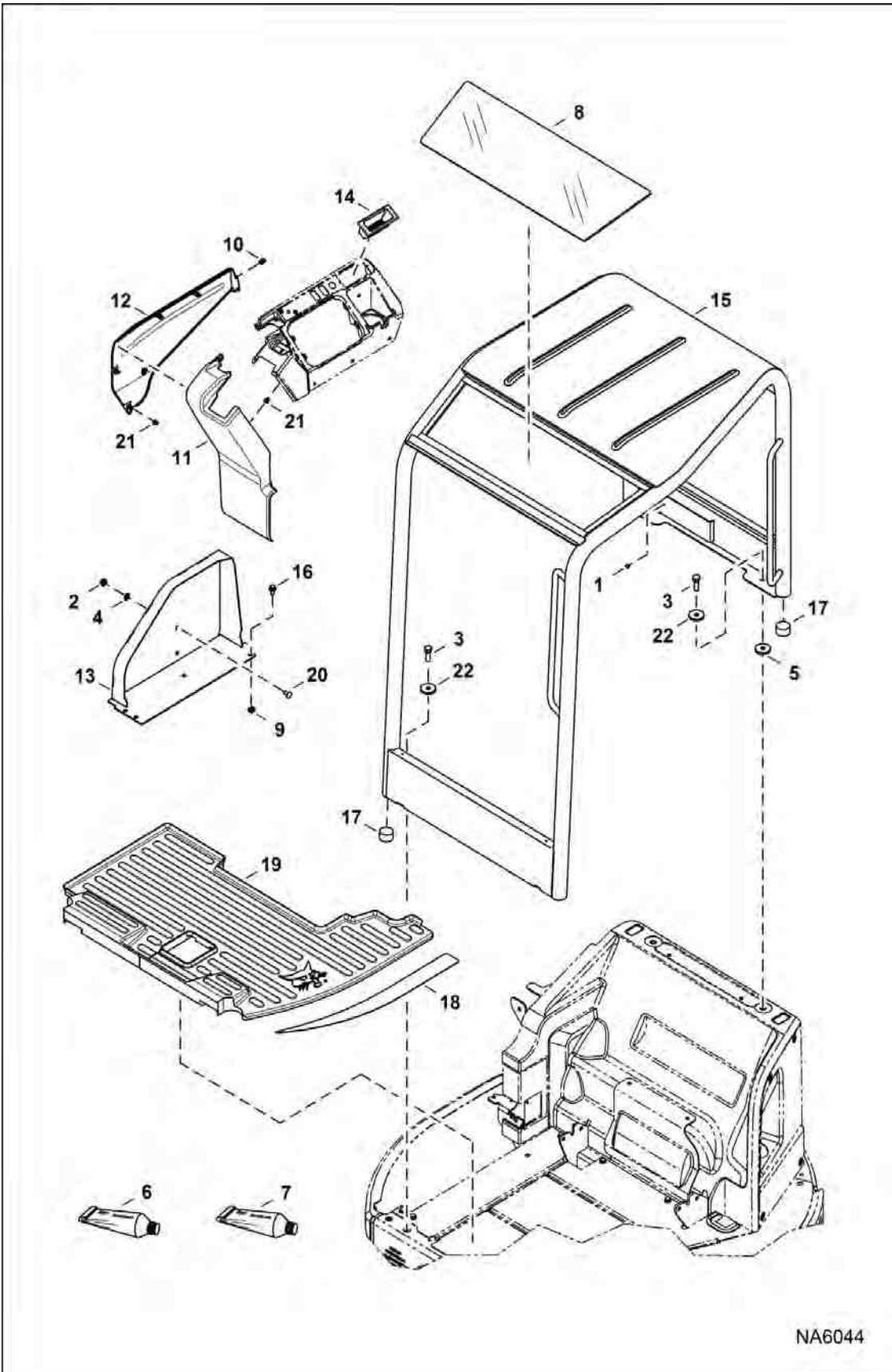


NA6124

OPERATOR CAB (Cont'd)
(RH Window) (Slider)

Ref No	Part Number	Description	Remarks	Serial Number	Qty
1	7187777	WINDOW, CAB SLIDING	Ref. 2-7		1
2		FRAME, WINDOW	NSS - Order Ref. 1		1
3	7022731	WINDOW, CAB SLIDING FRONT	W/Ref. 4 & 5		1
4	7022734	HANDLE, WINDOW SIDE			1
5		SEAL, WINDOW	NSS		2
6	7022730	WINDOW, CAB SLIDING REAR	W/Ref. 5 & 7		1
7	7022732	HANDLE, WINDOW SIDE			1

OPERATOR CANOPY

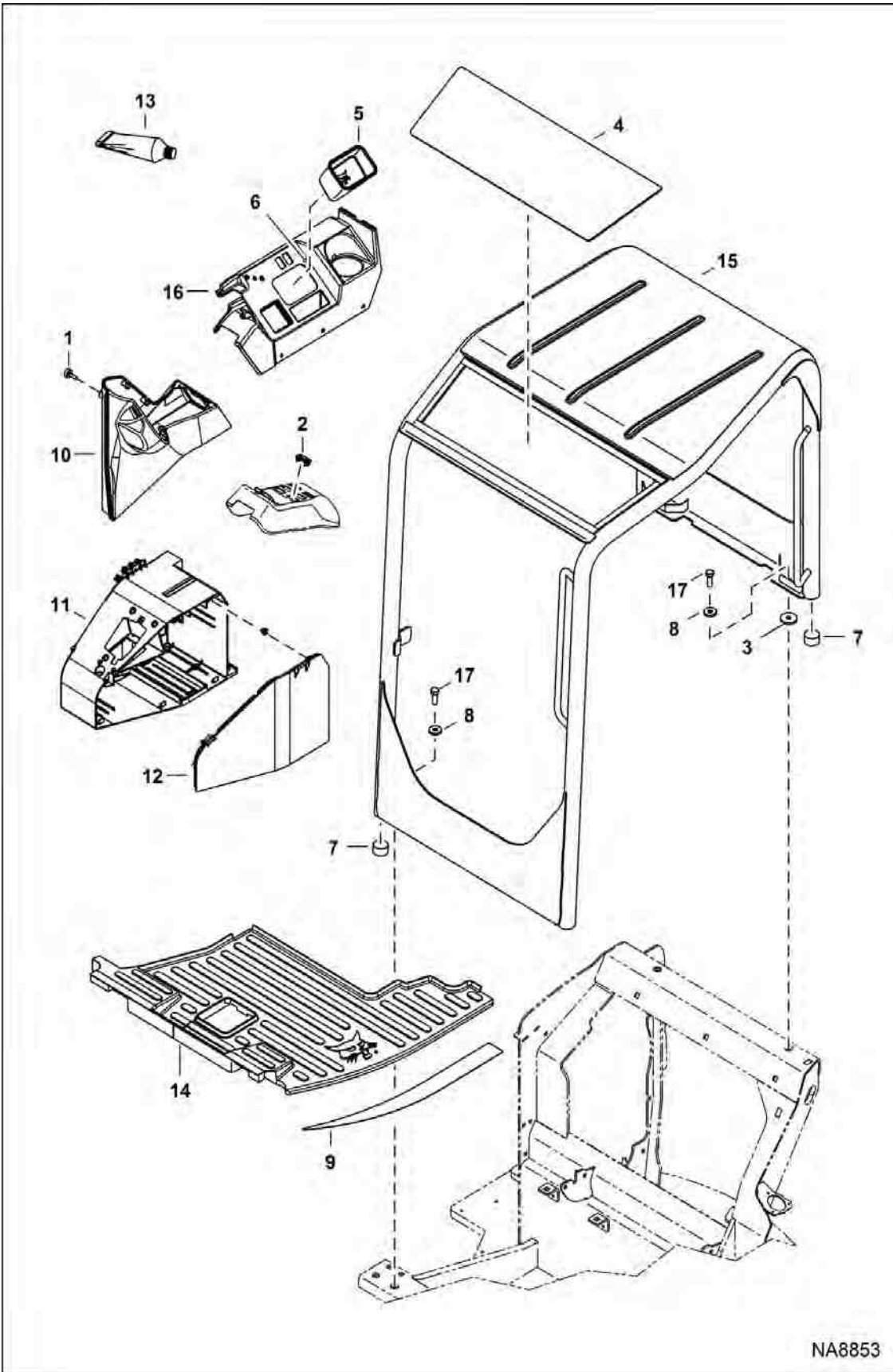


NA6044

OPERATOR CANOPY (Cont'd)

Ref No	Part Number	Description	Remarks	Serial Number	Qty
1	6589675	SCREW			1
2	43DM10	NUT FLANGED HEX			5
3	7CM1440	BOLT			4
4	6674264	RETAINER NUT			3
5	6805244	WASHER			2
6	7230824	ADHESIVE, NON- PRIMER	0,31 L (10.5 oz) - Was 6808882 [A]		x
6	7230824	ADHESIVE, NON- PRIMER			x
7		PRIMER	NLA - 0,12 L (4.2 oz) - Was 7102268 [A]		x
8	7143481	WINDOW, CANOPY TOP			1
9	7155411	NUT			2
10	7160383	RIVET, BIRD CAGE			2
11	7165566	COVER, RH			1
12	7165567	COVER, RH			1
13	7170762	PANEL, RH			1
14	7171397	CONTAINER, STORAGE			1
15	7173146	CANOPY, W/A			1
16	29CM1025	SCREW FLGD HEX CAP			2
17	7187736	INSULATION			4
18	7195050	TREAD, SAFETY			1
19	7199174	MAT, FLOOR CANOPY			1
20	28CM1020	BOLT CARRIAGE 8.8			3
21	7165333	CLIP			8
22	7187755	WASHER			4

CANOPY

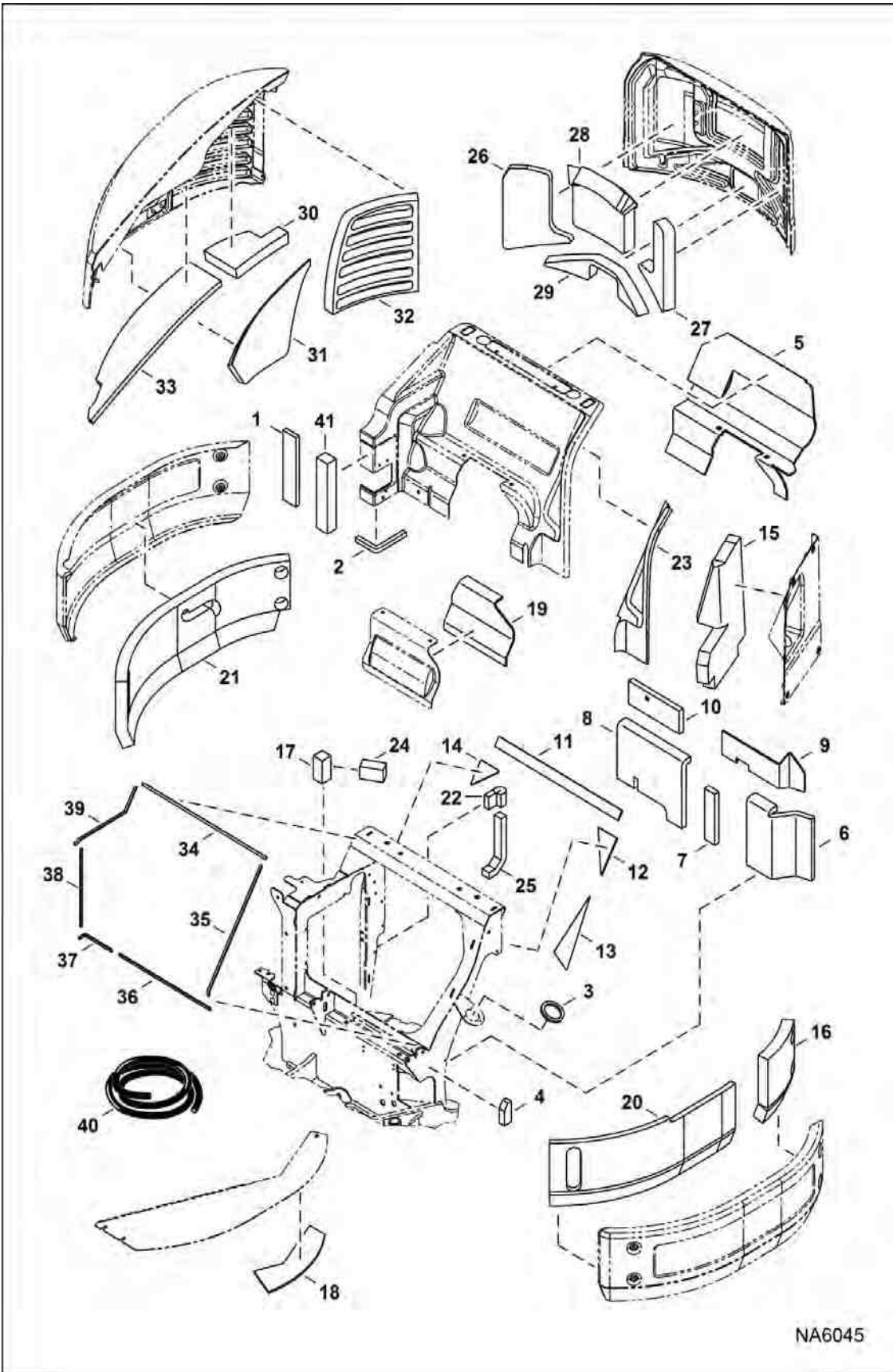


NA8853

CANOPY (Cont'd)

Ref No	Part Number	Description	Remarks	Serial Number	Qty
1	6655399	BUMPER			1
2	6665314	PLUG			1
3	6805244	WASHER			2
4	7143481	WINDOW, CANOPY TOP			1
5	7154285	BOX,RADIO DELETE			1
6	7182942	PLUG			1
7	7187736	INSULATION			4
8	7187755	WASHER			4
9	7195050	TREAD, SAFETY			1
10	7210712	CONSOLE, CANOPY			1
11	7222770	HOUSING, BASE			1
12	7229248	COVER, HVAC			1
13	7230824	ADHESIVE, NON- PRIMER			x
14	7232440	MAT, FLOOR CANOPY	Was 7238810 [A]		1
15	7241299	CANOPY, W/A			1
16	7241308	CONSOLE, RH			1
17	7CM1440	BOLT			4

INSULATION

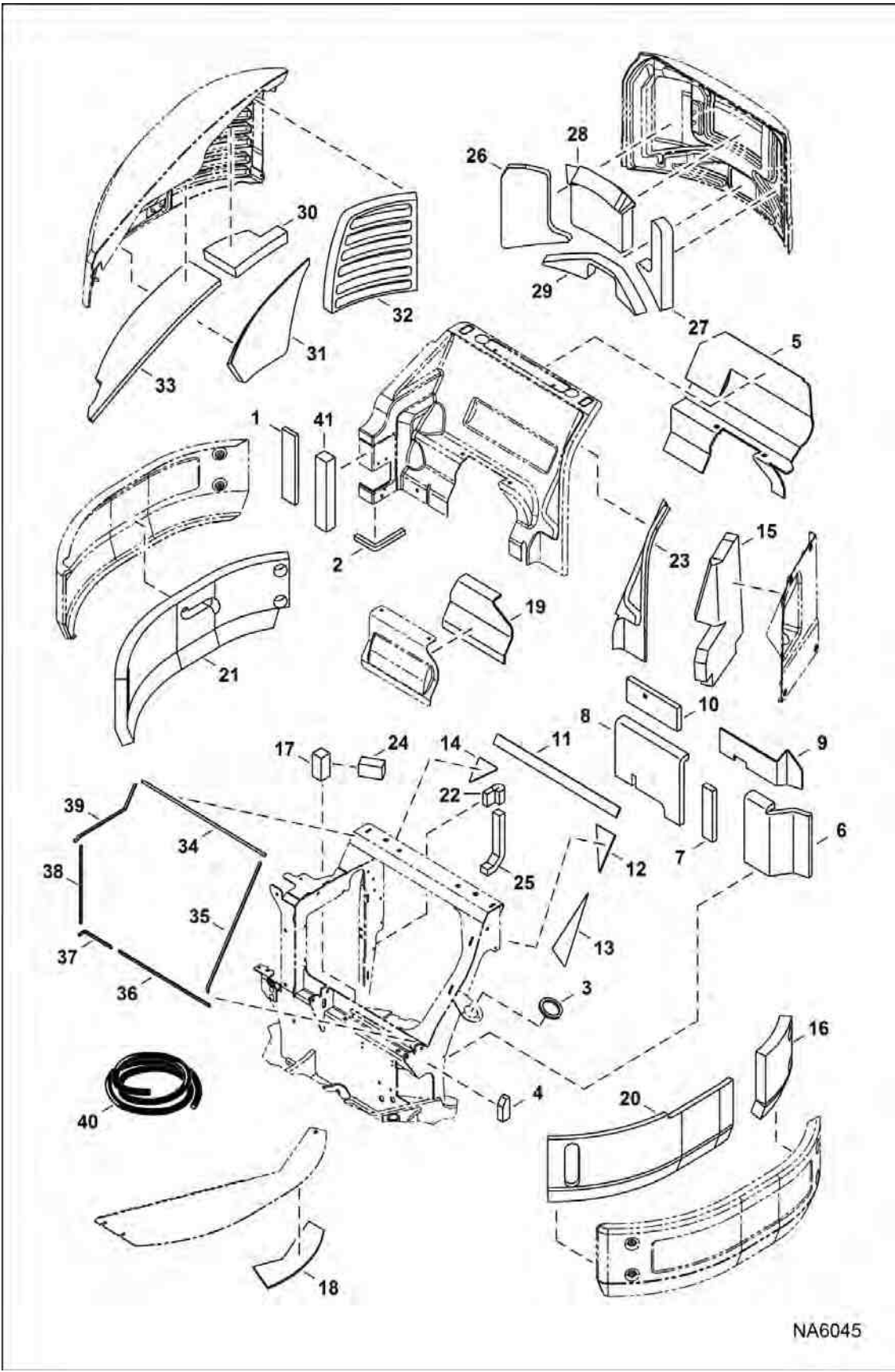


NA6045

INSULATION (Cont'd)

Ref No	Part Number	Description	Remarks	Serial Number	Qty
1	7156375	SEAL, RH PANEL			1
2	7175504	SEAL, ENG			1
3	7176171	INSULATION, PANEL LH			1
4	7180569	INSULATION, PANEL ENG			1
5	7180570	INSULATION, ENG			1
6	7180571	INSULATION, UPPERSTRUCTU RE			1
7	7180572	INSULATION, UPPERSTRUCTU RE			1
8	7180573	INSULATION, UPPERSTRUCTU RE			1
9	7180574	INSULATION, UPPERSTRUCTU RE			1
10	7180575	INSULATION, UPPERSTRUCTU RE			1
11	7180576	INSULATION, UPPERSTRUCTU RE			1
12	7180577	INSULATION, UPPERSTRUCTU RE			1
13	7180578	INSULATION, UPPERSTRUCTU RE			1
14	7180579	INSULATION, UPPERSTRUCTU RE			1
15	7180580	INSULATION, LH COVER			1
16	7180581	INSULATION, SIDE			1
17	7181884	INSULATION, BLOCK	if equipped		1
18	7185878	INSULATION, FLOOR			1
19	7185879	INSULATION, PANEL ENG			1
20	7185881	INSULATION, SIDE			1
21	7185882	INSULATION, SIDE			1
22	7185883	INSULATION, RADIATOR			1
23	7196872	INSULATION, PANEL ENG			1
24	7196875	INSULATION, COUNTERWEIGH T			1

INSULATION (Cont'd)

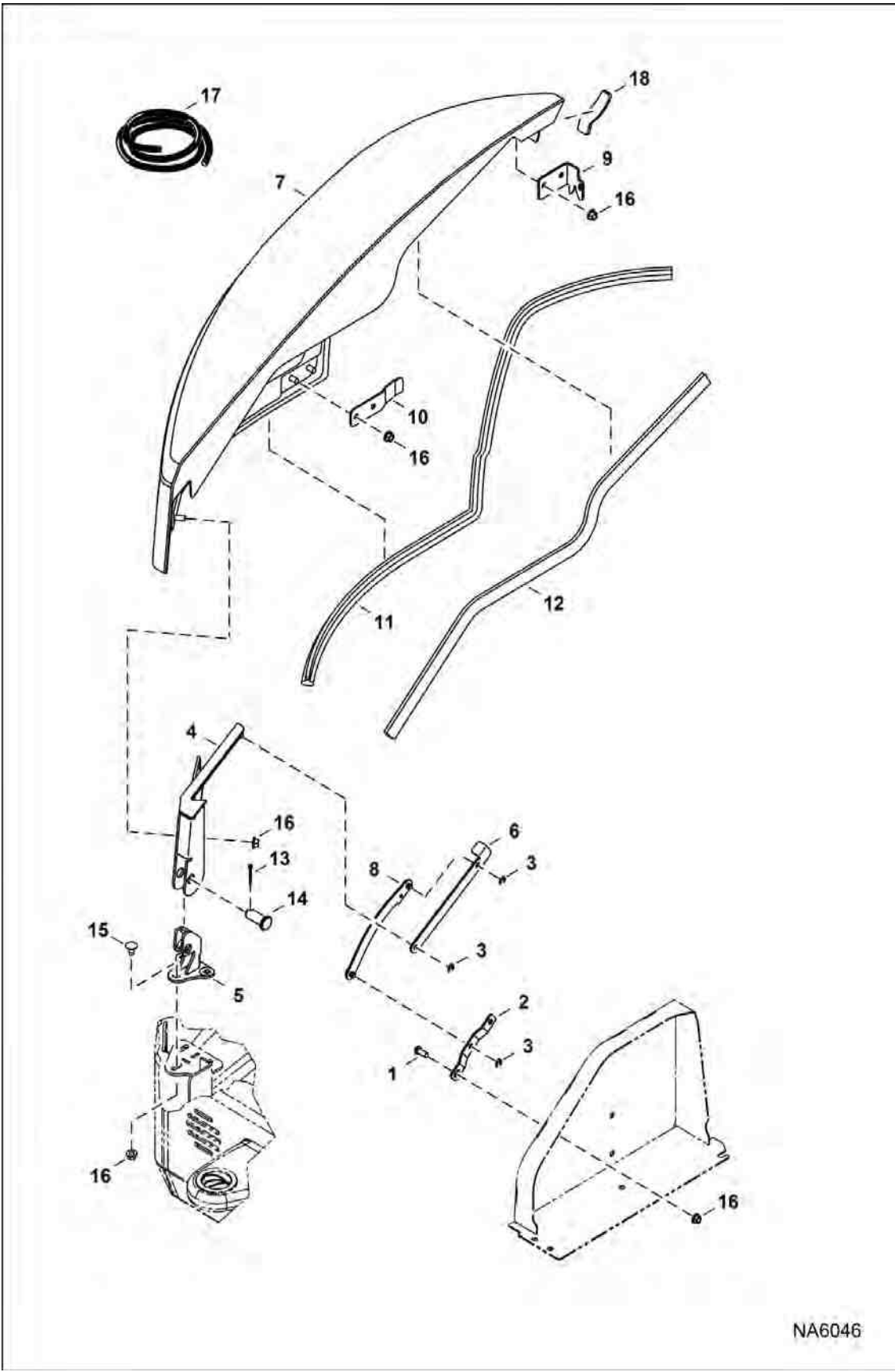


NA6045

INSULATION (Cont'd)

Ref No	Part Number	Description	Remarks	Serial Number	Qty
25	7196876	INSULATION, UPPERSTRUCTURE			1
26	7200417	INSULATION, DOOR REAR			1
27	7200418	INSULATION, DOOR REAR			1
28	7200419	INSULATION, DOOR REAR			1
29	7200420	INSULATION, DOOR REAR			1
30	7200421	INSULATION, COVER RH			1
31	7200422	INSULATION, COVER RH			1
32	7200423	INSULATION, COVER RH			1
33	7200518	INSULATION, COVER RH			1
34		SEAL, COVER	NLA - 717 mm (28.22") long - Order Ref. 40		1
35		SEAL, COVER	NLA - 564,5 mm (22.22") long - Order Ref. 40		1
36		SEAL, COVER	NLA - 525 mm (20.67") long - Order Ref. 40		1
37		SEAL, COVER	NLA - 191,9 mm (7.56") long - Order Ref. 40		1
38		SEAL, COVER	NLA - 373,1 mm (14.69") long - Order Ref. 40		1
39		SEAL, COVER	NLA - 403,2 mm (15.87") long - Order Ref. 40		1
40	7135394	SEAL BULK	sold per foot		x
41	7237649	FOAM, HVAC			1

RH COVER

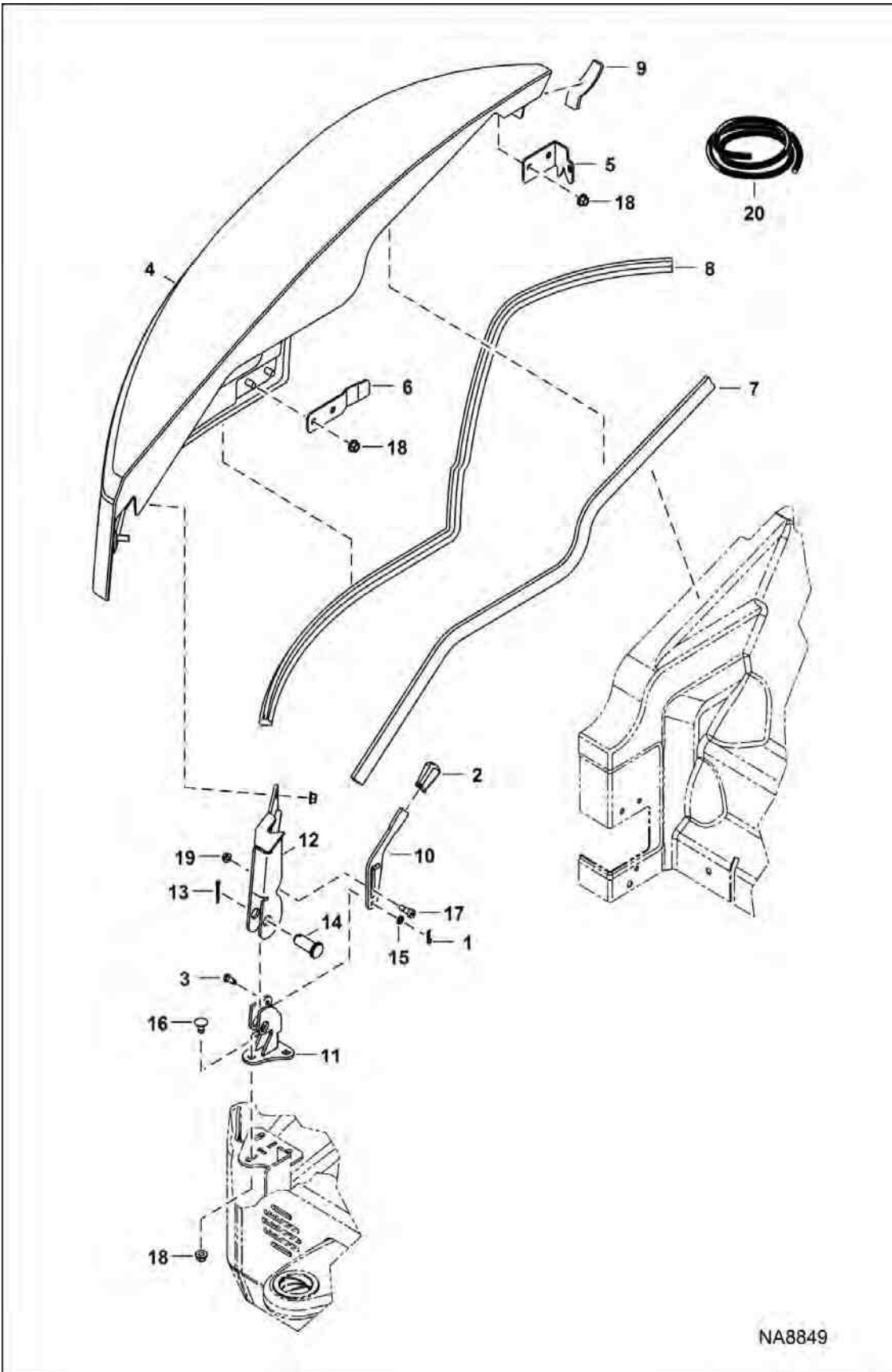


NA6046

RH COVER (Cont'd)

Ref No	Part Number	Description	Remarks	Serial Number	Qty
1	6817769	SCREW			2
2		BRACKET	NLA - Was 7165414		1
3	7170446	PIN, RETAINER			3
4	7173069	HINGE, COVER			1
5	7173070	HINGE			1
6	7173078	LINK			1
7	7177852	COVER, RH			1
8	7192417	LINK, ASSY			1
9	7196072	BRACKET, COVER			1
10	7196834	BRACKET, COVER			1
11		SEAL, COVER	NLA - 1461,3 mm (57.5") long - Order Ref. 17		1
12		SEAL, COVER	NLA - 1057,7 mm (41.6") long - Order Ref. 17		1
13	13JM532	PIN, COTTER			1
14	14JM2050	CLEVIS			1
15	33CM1020	BOLT			3
16	43DM10	NUT FLANGED HEX			10
17	7160901	SEAL, BULB	bulk - sold per foot		x
18	7205558	SEAL, COVER			1

RH COVER

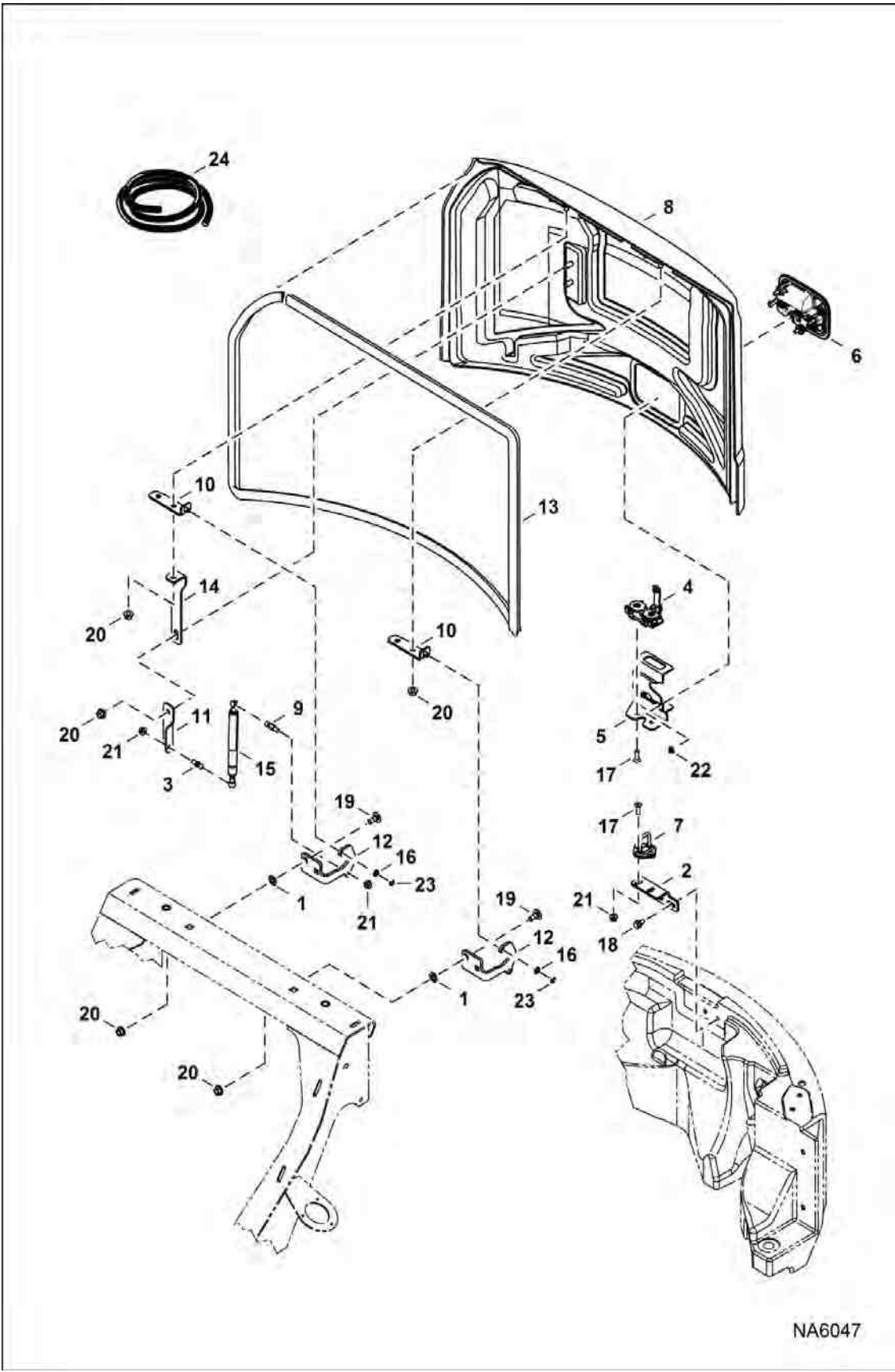


NA8849

RH COVER (Cont'd)

Ref No	Part Number	Description	Remarks	Serial Number	Qty
1	6513495	PIN 5			1
2	6564452	LEVERGRIP			1
3	7008812	PIN, CLEVIS			1
4	7177852	COVER, RH			1
5	7196072	BRACKET, COVER			1
6	7196834	BRACKET, COVER			1
7		SEAL, COVER	NLA - 1461,3 mm (57.5") long - Order Ref. 20		1
8		SEAL, COVER	NLA - 1057,7 mm (41.6") long - Order Ref. 20		1
9	7205558	SEAL, COVER			1
10	7241525	BRACKET, HOLDING			1
11	7241531	HINGE, COVER			1
12	7241534	HINGE, COVER			1
13	13JM532	PIN, COTTER			1
14	14JM2050	CLEVIS			1
15	15EM80	WASHER			1
16	33CM1020	BOLT			3
17	38C608	SCREW			1
18	43DM10	NUT FLANGED HEX			10
19	97D5	NUT			1
20	7160901	SEAL, BULB	bulk - sold per foot		x

REAR DOOR

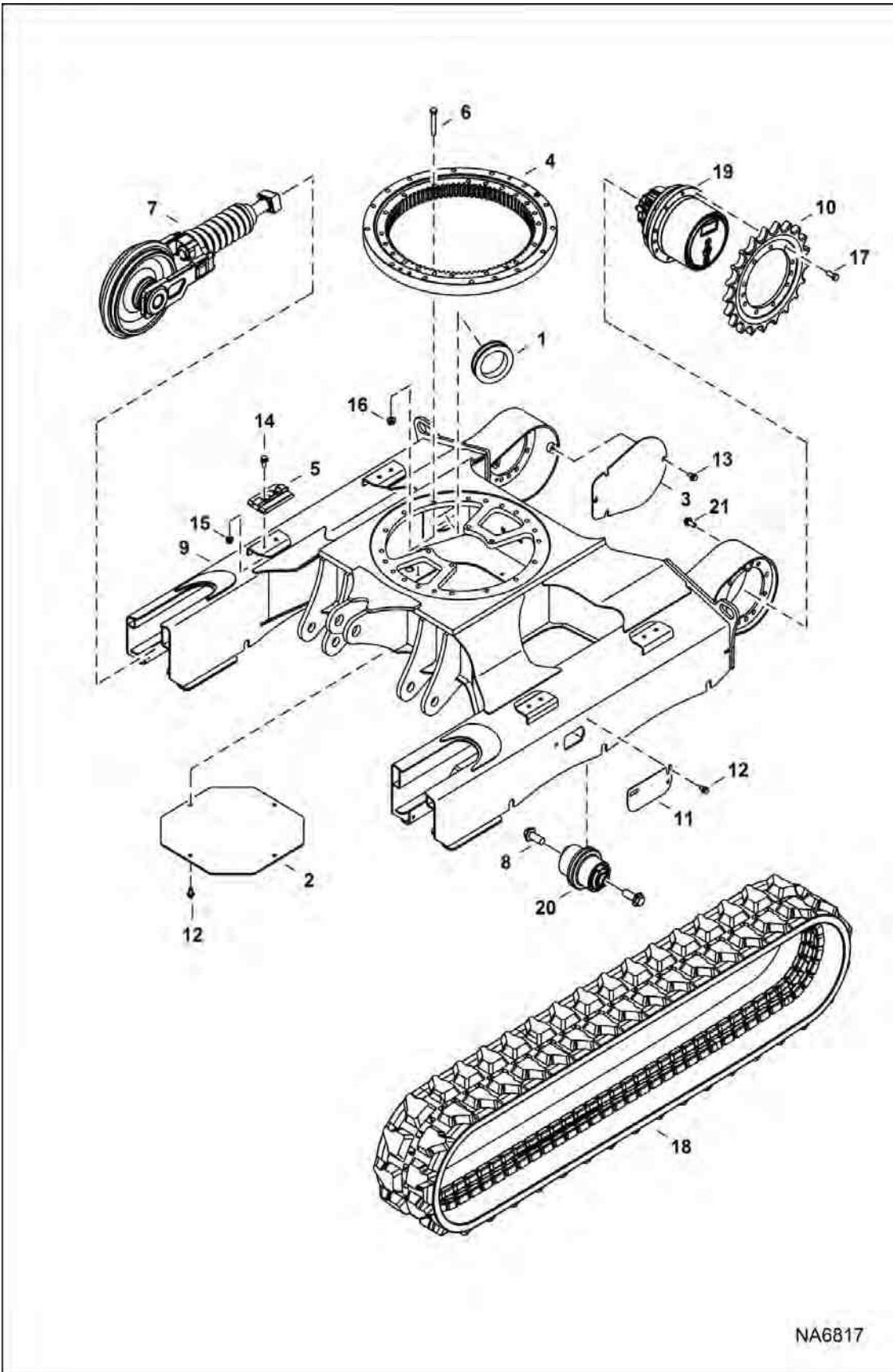


NA6047

REAR DOOR (Cont'd)

Ref No	Part Number	Description	Remarks	Serial Number	Qty
1	6674264	RETAINER NUT			4
2	7166867	BRACKET			1
3	7170322	STUD, BALL JOINT			1
4	7170871	LATCH, DOOR REAR			1
5	7170872	BRACKET, LATCH			1
6	7170873	LATCH, HANDLE			1
7	7170944	STRIKER, LATCH DOOR			1
8	7173084	REAR DOOR			1
9	7177735	STUD, BALL JOINT			1
10	7196490	HINGE, DOOR REAR			2
11	7196591	PLATE, HOLDER			1
12	7197772	HINGE, DOOR REAR			2
13		SEAL, COVER	NLA - 2784 mm (109.6") long - Order Ref. 24		1
14	7201816	BRACE			1
15	7202414	GAS SPRING			1
16	15EM80	WASHER			2
17	23GM825	SCREW			4
18	29CM816	SCREW FLGD HEX CAP			2
19	33CM1025	BOLT			4
20	43DM10	NUT FLANGED HEX			10
21	43DM8	NUT FLANGED HEX			4
22	51DM6	NUT HX THDLK PREAPPL			2
23	9JM60	PIN, RETAINER			2
24	7160901	SEAL, BULB	bulk - sold per foot		x

UNDERCARRIAGE

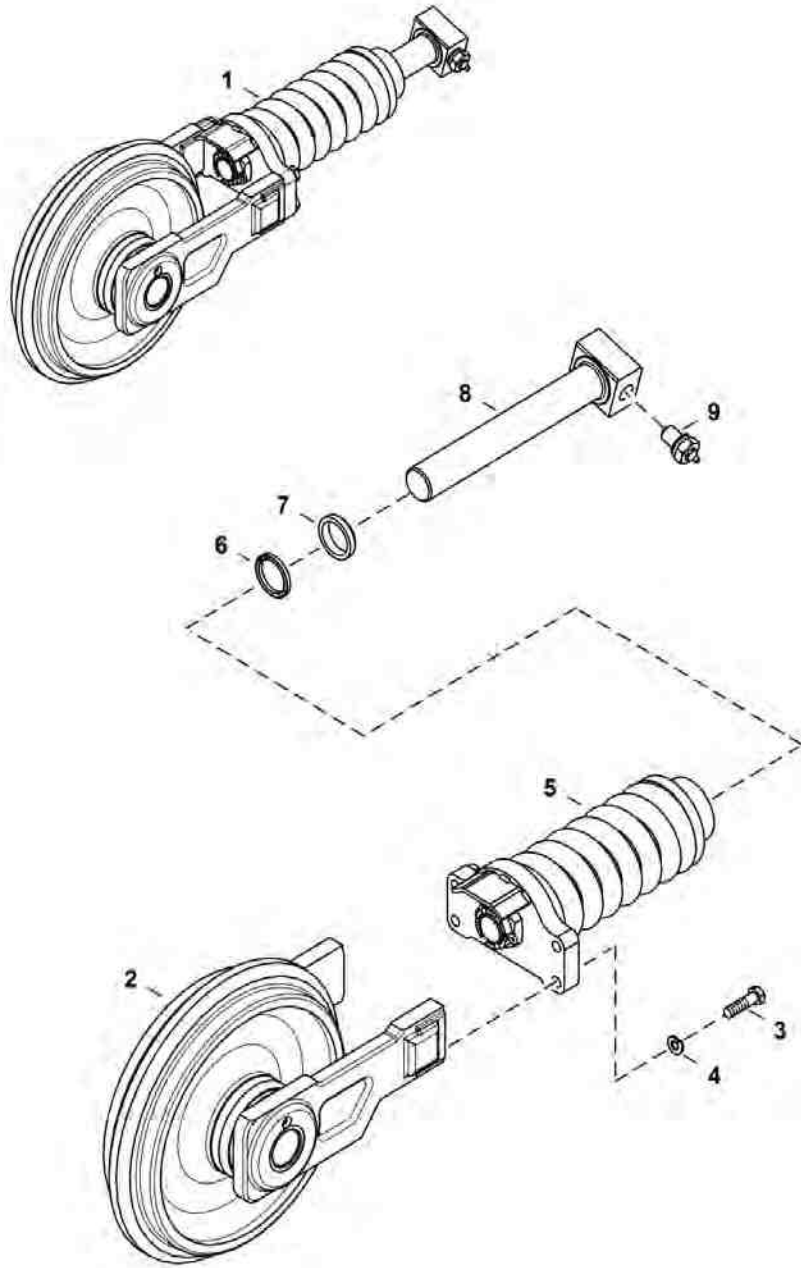


NA6817

UNDERCARRIAGE (Cont'd)

Ref No	Part Number	Description	Remarks	Serial Number	Qty
1	7127210	GROMMET			2
2	7142236	COVER, ACCESS			1
3	7142237	COVER, MOTOR			2
4	7153297	RING, SLEW	See Illustration UPPERSTRUCTURE / NA6026		1
5	7228214	PLATE, SLIDE, FINAL			4
6	7161099	BOLT			20
7		IDLER, ASSY	See Illustration TRACK TENSIONER & IDLER / NA6066		2
8	7011925	BOLT			12
9	7212750	UNDERCARRIAGE		AB8B11001 - 12144	1
9	7251370	UNDERCARRIAGE		AB8B12145 & Above	1
9	7258396	UNDERCARRIAGE		AB8B & Above	1
9	7297197	UNDERCARRIAGE		AB8B & Above	1
10	7199006	SPROCKET, MACHINED			2
11	7201929	COVER			2
12	26GM10020	SCREW HEX THRDRLG			8
13	29CM1020	SCREW HEX 10MMX20MM			6
14	29CM1025	SCREW FLGD HEX CAP			8
15	51DM10	NUT HX THDLK PREAPPL			8
16	51DM12	NUT			20
17	55CM1230	SCREW HEX W/T 10.9			22
18	7298190	TRACK, RUBBER	Was 7153296 [A]		2
19		MOTOR, TRAVEL	See Illustration TRAVEL MOTOR / NA6099		2
20		ROLLER, TRACK	See Illustration TRACK ROLLER / NA2024 W/(2) Ref. 8		6
21	7162236	SCREW			22

TRACK TENSIONER & IDLER

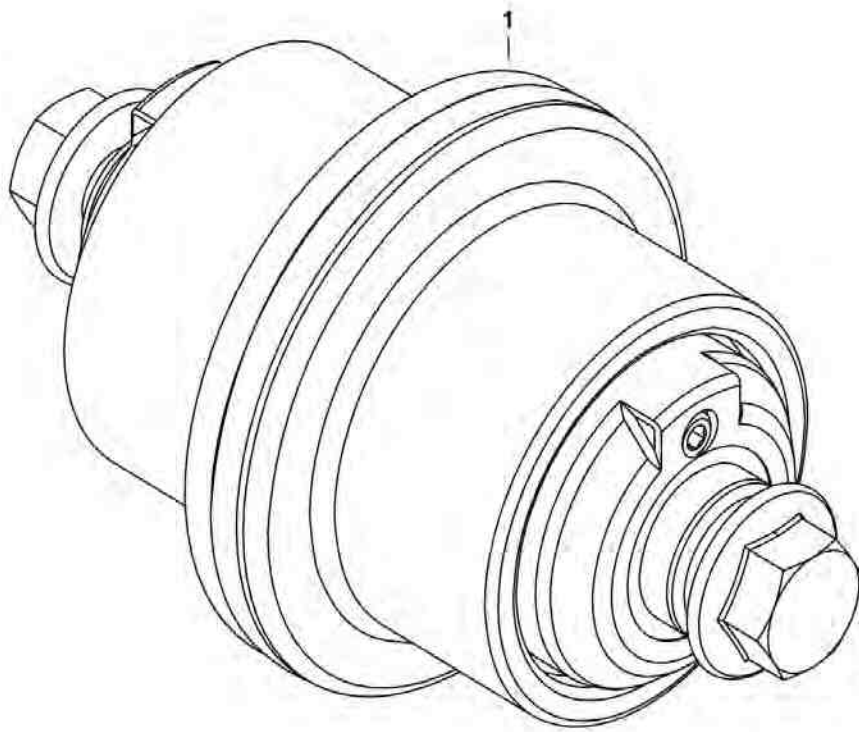


NA6066

TRACK TENSIONER & IDLER (Cont'd)

Ref No	Part Number	Description	Remarks	Serial Number	Qty
1	7205956	IDLER, ASSY	rubber track - Ref. 2-8 - Also Order Ref. 9	AB8B11001 - AB8B12293	1
1	7257871	IDLER, TRACK RUBBER	rubber track - Ref. 2-8 - Also Order Ref. 9	AB8B12294 & Above	1
2	7022139	IDLER, TRACK FRONT			1
3	7022140	BOLT, HEX SOCKET			4
4	7022141	WASHER			4
5	7022142	TENSIONER, TRACK ASSY	rubber track - includes Ref. 6-8	AB8B11001 - AB8B12293	1
5	7298086	TENSIONER, TRACK ASSY	rubber track - includes Ref. 6-8	AB8B12294 & Above	1
6	7022143	RING, WEAR			1
7	7022144	SEAL, WIPER ROD			1
8	7022145	SHAFT, ROD CYL		AB8B11001 - AB8B12293	1
8	7298087	SHAFT, ROD CYL		AB8B12294 & Above	1
9	7177516	FITTING, GREASE			1
9	7282154	WASHER			1

TRACK ROLLER
(Bottom)

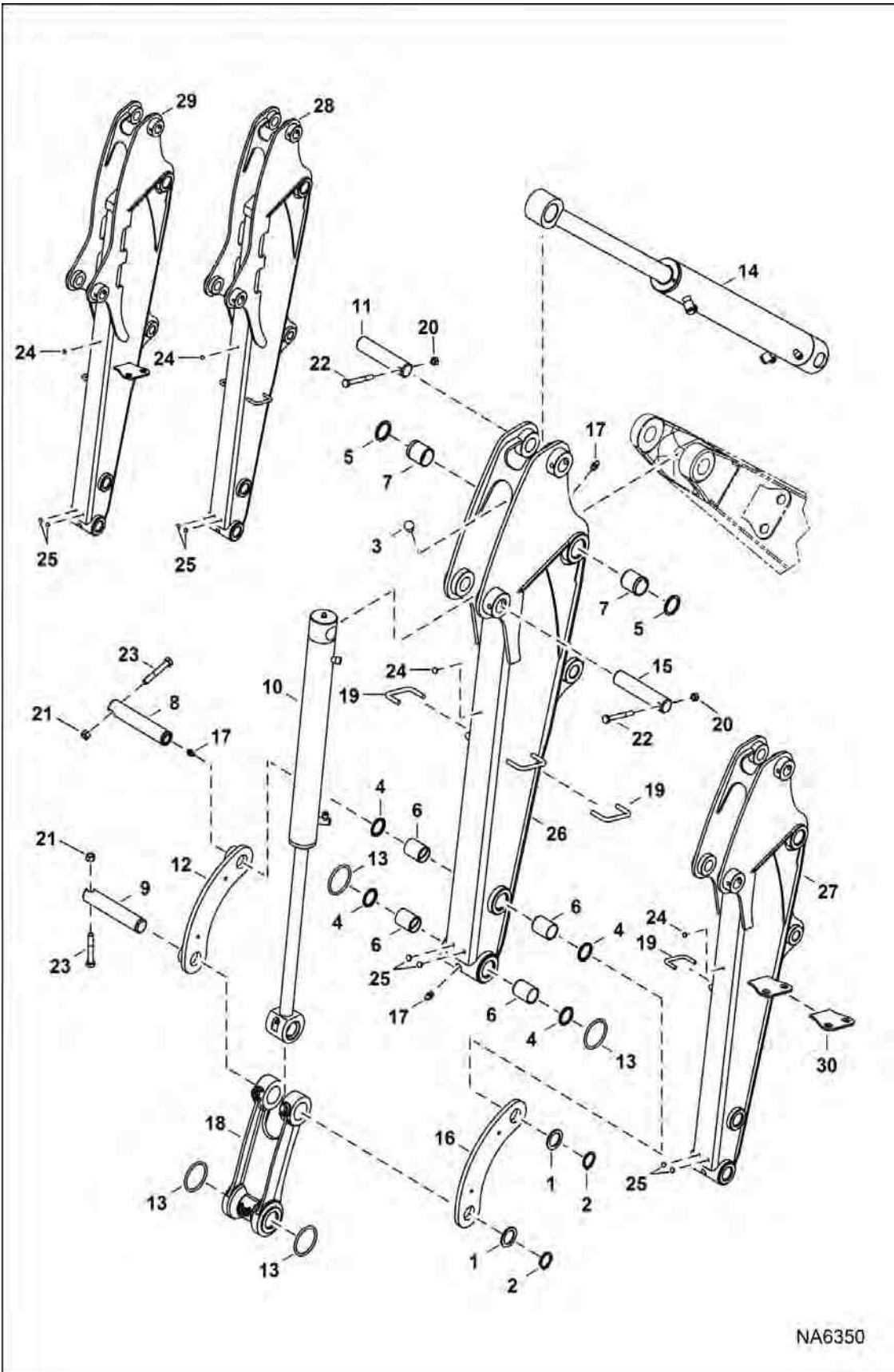


NA2024

TRACK ROLLER (Cont'd)
(Bottom)

Ref No	Part Number	Description	Remarks	Serial Number	Qty
1	7013575	ROLLER, TRACK	for rubber tracks only	AB8B & Below	6
1	7257870	ROLLER	for rubber tracks only	AB8B & Above	6
1	7011925	BOLT			2

ARM

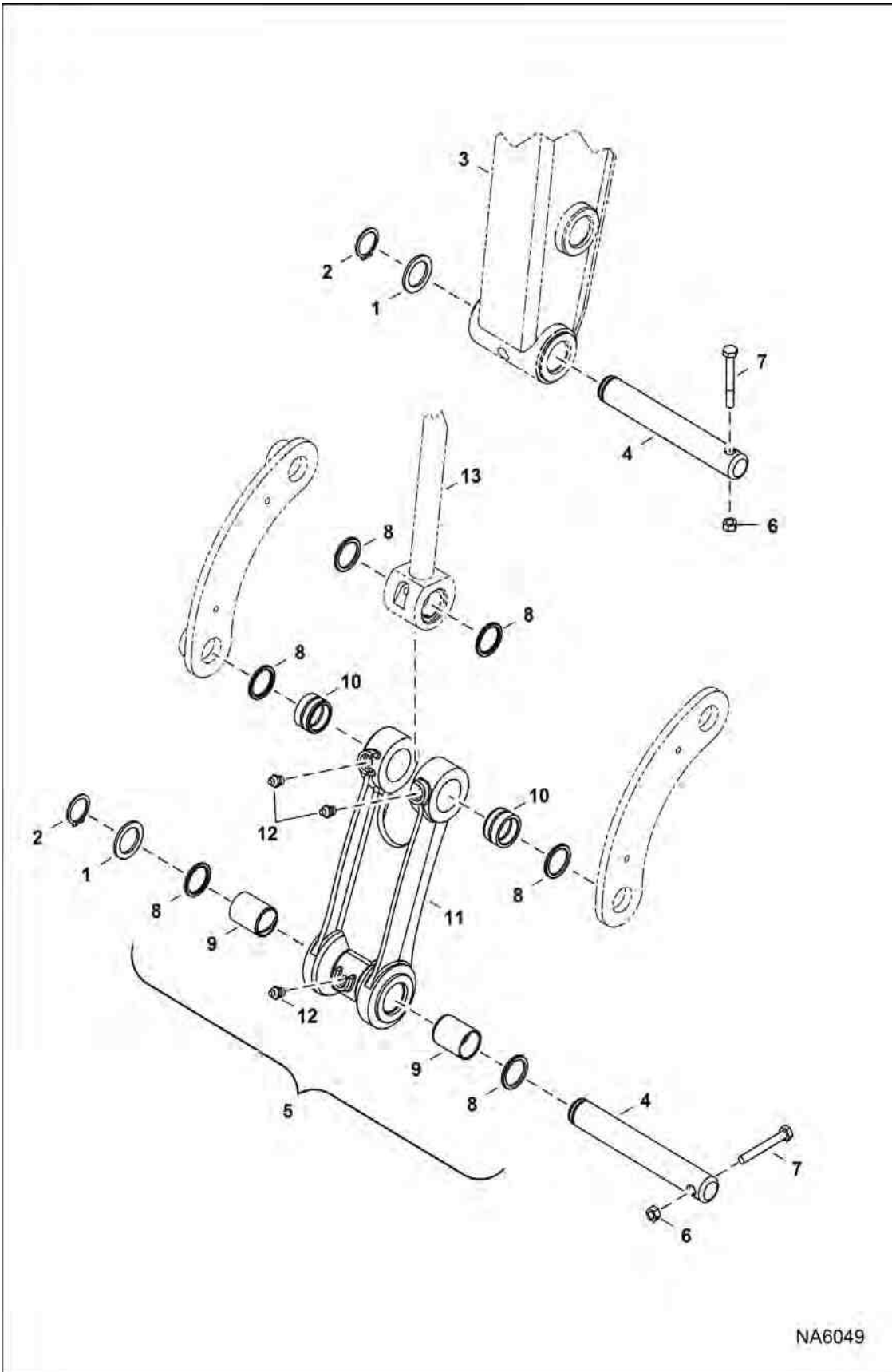


NA6350

ARM (Cont'd)

Ref No	Part Number	Description	Remarks	Serial Number	Qty
1	6534111	WASHER, 5			6
2	6534154	RING, RETAINER			6
3	6597572	BUMPER			1
4	6652915	SEAL, OIL			12
5	6660075	SEAL			4
6	6803213	BUSHING, PRESS FIT			4
7	6815277	BUSHING			2
8	7157649	PIN PIVOT			1
9	7157650	PIN PIVOT			1
10		CYLINDER, BUCKET	See Illustration BUCKET CYLINDER / NA6021		1
11	7159418	PIN			1
12	7159419	LINK, ASSY			1
13	7159425	O-RING			4
14		CYLINDER, ARM	See Illustration ARM CYLINDER / NA6017		1
15	7188793	PIN			1
16	7192877	LINK			1
17	10H25	FITTING, GREASE 5			10
18		LINK, ASSY	See Illustration BUCKET LINK / NA6049		1
19	6586391	RETAINER	weld-on		2
20	16DM10	NUT	Was 4DM10 [B]		2
21	16DM12	NUT	Was 4DM12 [B]		2
22	7CM1090	BOLT, HEX SOCKET			2
23	1CM1270	SCREW	Was 7CM1280 [B]		2
24	7248464	PLUG			1
25	7248465	PLUG			2
26	7206877	ARM, DIPPER W/A EXC	W/O arm mounted aux coupler option Ref. 28 - Also Order Ref. 3-7, 13, & 17		1
27	7212223	ARM, DIPPER W/A	W/ arm mounted aux coupler option Ref. 28 - Also Order Ref. 3-7, 13, & 17		1
28	7206870	ARM, DIPPER W/A LONG EXC	W/O arm mounted aux coupler option Ref. 28 - Also Order Ref. 3-7, 13, & 17		1
29	7212763	ARM, DIPPER W/A LONG	W/ arm mounted aux coupler option Ref. 28 - Also Order Ref. 3-7, 13, & 17		1
30	7207339	BRACKET	weld-on - arm mounted aux coupler option		1

BUCKET LINK

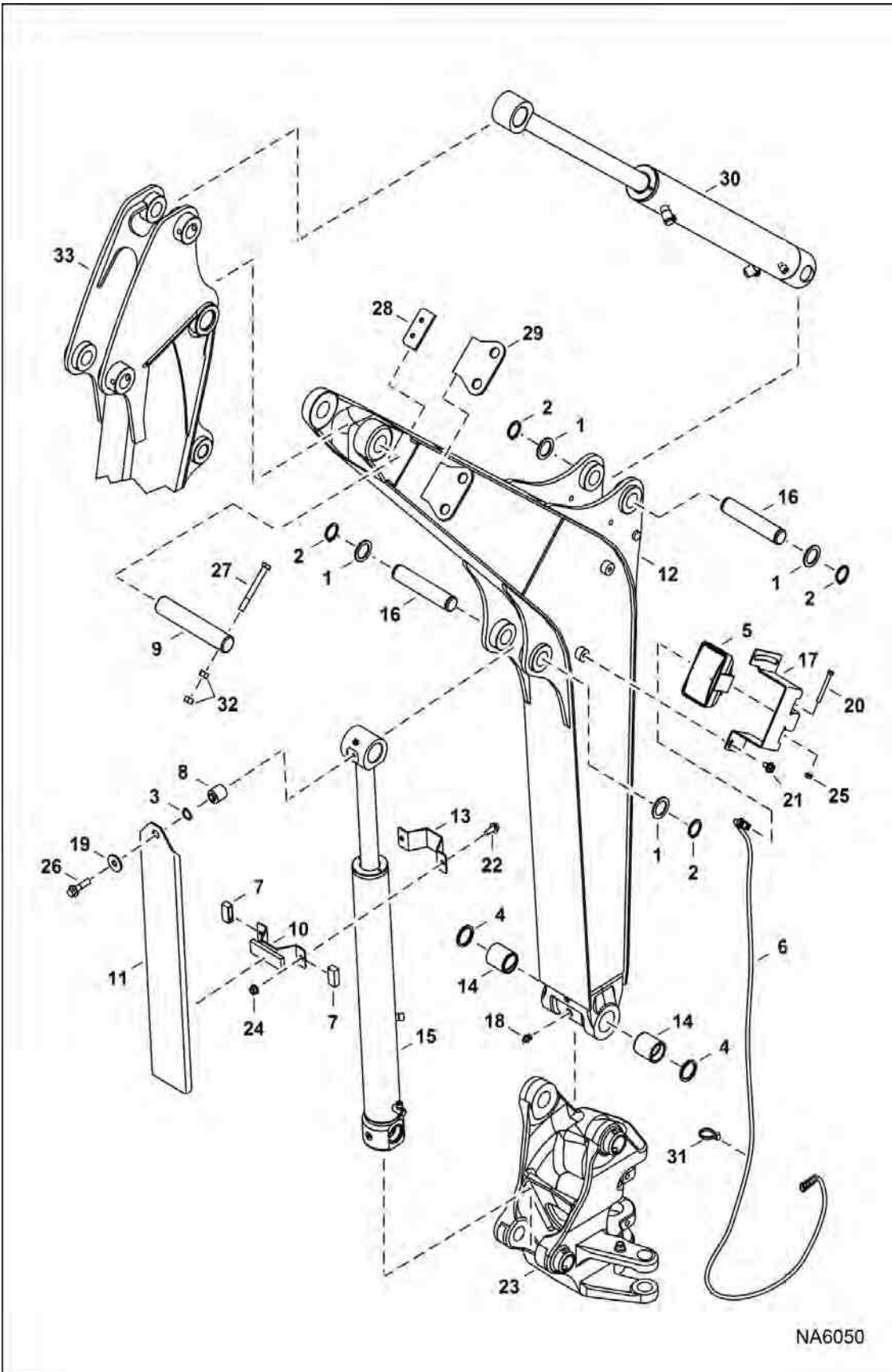


NA6049

BUCKET LINK (Cont'd)

Ref No	Part Number	Description	Remarks	Serial Number	Qty
1	6534111	WASHER, 5			2
2	6534154	RING, RETAINER			2
3		ARM	See Illustration ARM / NA6350		1
4	7181216	PIN, PIVOT X-CHANGE	249,5 mm (9.82") long - Was 7151836 [A]		2
5	7196521	LINK, ASSY			1
6	16DM10	NUT	- Was 4DM10 [B]		2
7	1CM1070	BOLT	- Was 1CM1075 [B]		2
8	6652915	SEAL, OIL			6
9	6803213	BUSHING, PRESS FIT			2
10	6803309	BUSHING, PRESS FIT			2
11		LINK	NLA - Order Ref. 5		1
12	10H25	FITTING, GREASE 5			3
13		CYLINDER, BUCKET	See Illustration ARM / NA6350		1

BOOM

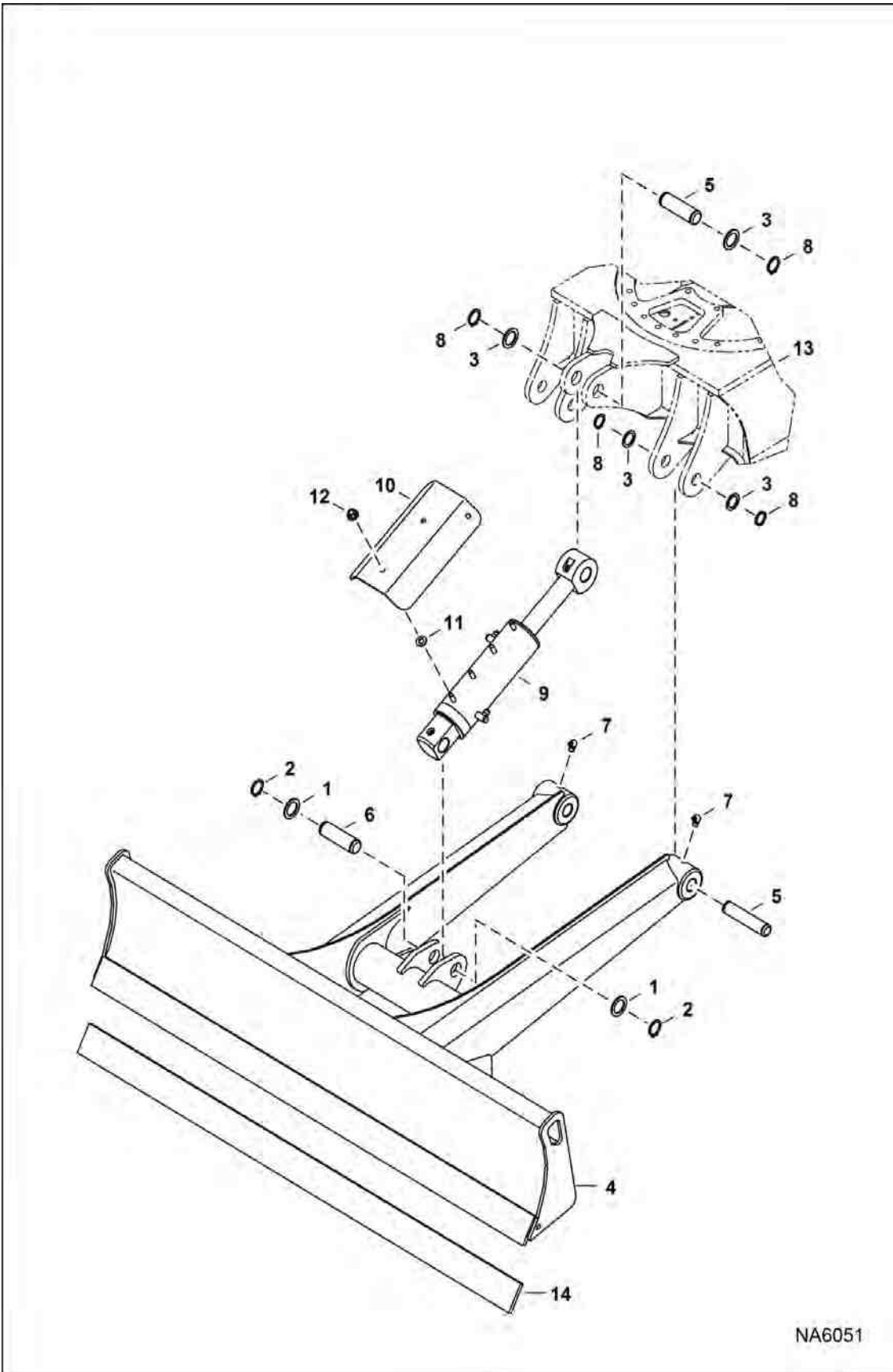


NA6050

BOOM (Cont'd)

Ref No	Part Number	Description	Remarks	Serial Number	Qty
1	6534111	WASHER, 5			4
2	6534154	RING, RETAINER			4
3	6536803	WASHER			1
4	6660075	SEAL			2
5	7018038	LIGHT			1
5	6692400	BULB			x
6	7135895	HARNESS			1
7	7144089	COVER			2
8	7154460	SPACER			1
9	7154697	PIN			1
10	7270886	SHIELD	NLA - Was 7158551 [A]		1
11	7158554	SHIELD, CYL			1
12	7162323	BOOM, ARM DIPPER	Also Order Ref. 4, 14 & 18		1
13	7282693	CLAMP, SHIELD	NLA - Was 7162368 [A]		1
14	7164261	BUSHING, WEAR			2
15		CYLINDER, BOOM	See Illustration BOOM CYLINDER / NA6019		1
16	7183687	PIN			2
17	7237068	BRACKET	EMEA Only - Was 7239093 [A]		1
17	7195369	BRACKET, LIGHT WORKING	NA Only		1
18	10H25	FITTING, GREASE 5			1
19	17EM120	WASHER			1
20	1CM655	SCREW			1
21	29CM1016	SCREW FLANGE HEX CAP			2
22	29CM1025	SCREW FLGD HEX CAP			2
23		BOOM SWING FRAME	See Illustration BOOM SWING FRAME / NA6052		1
24	51DM10	NUT HX THDLK PREAPPL			2
25	51DM6	NUT HX THDLK PREAPPL			1
26	29CM1235	BOLT	Was 29CM01235B [A]		1
27	7CM12110	SCREW HEX HD CAP			1
28	7207340	BRACKET	weld-on		1
29	7207339	BRACKET	weld-on		1
30		CYLINDER, ARM	See Illustration ARM CYLINDER / NA6017		1
31	6624289	STRAP, TIE			3
32	4DM12	NUT HEX			2
33		ARM	See Illustration ARM / NA6350		1

BLADE

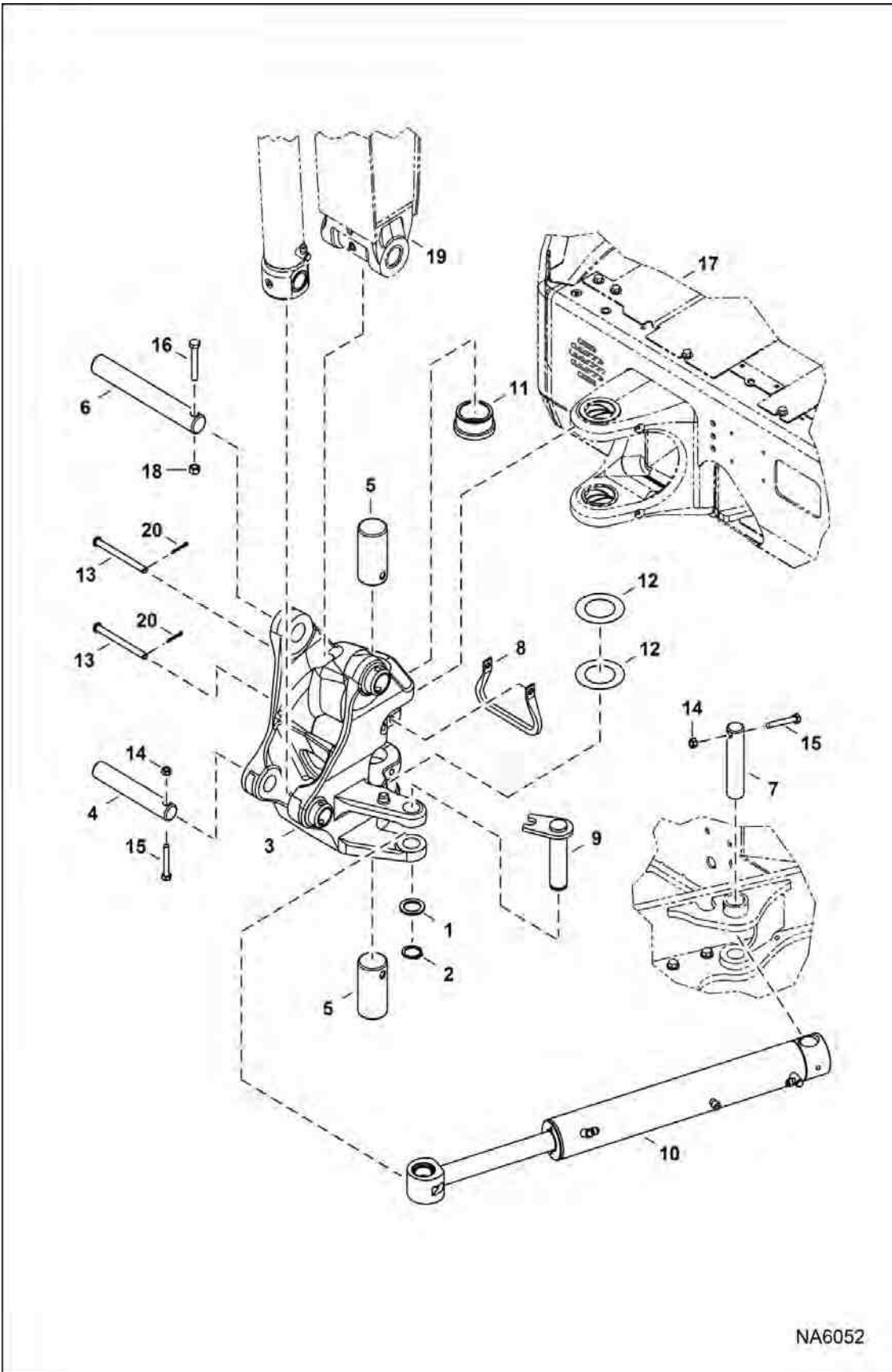


NA6051

BLADE (Cont'd)

Ref No	Part Number	Description	Remarks	Serial Number	Qty
1	6534111	WASHER, 5			4
2	6534154	RING, RETAINER			4
3	6589699	WASHER			4
4		BLADE, EXC	NLA - Order 7234885 Blade, Exc & 7233205 Edge, Cutting, Weld-On 55" - Was 7185860 [A]	AB8B11001 - AB8B11149	1
4	7234885	BLADE, EXC	Use W/Ref. 14 (7192083 Edge, Cutting, Weld-On 55")	AB8B11150 & Above	1
5	7191708	PIN, PIVOT			2
6	7191709	PIN, PIVOT			2
7	12H15	FITTING, GREASE 5			2
8	22J19	SNAP RING			4
9		CYLINDER, BLADE	See Illustration BLADE CYLINDER / NA6018		1
10		SHIELD, CYL	NLA - Was 7177952 [A]		1
10	7301184	SHIELD			1
11	1EM100	WASHER PLAIN			2
12	43DM10	NUT FLANGED HEX			3
13		UNDERCARRIAGE	See Illustration UNDERCARRIAGE / NA6817		1
14		EDGE, CUTTING WELD-ON 55"	NLA - Order 7233205 Edge, Cutting, Weld-On 55" & 7234885 Blade, Exc - Was 7192083 [A]	AB8B11001 - AB8B11149	1
14	7233205	EDGE, CUTTING WELD-ON 55"	Use W/Ref. 4 (7234885 Blade, Exc.)	AB8B11150 & Above	1

BOOM SWING FRAME

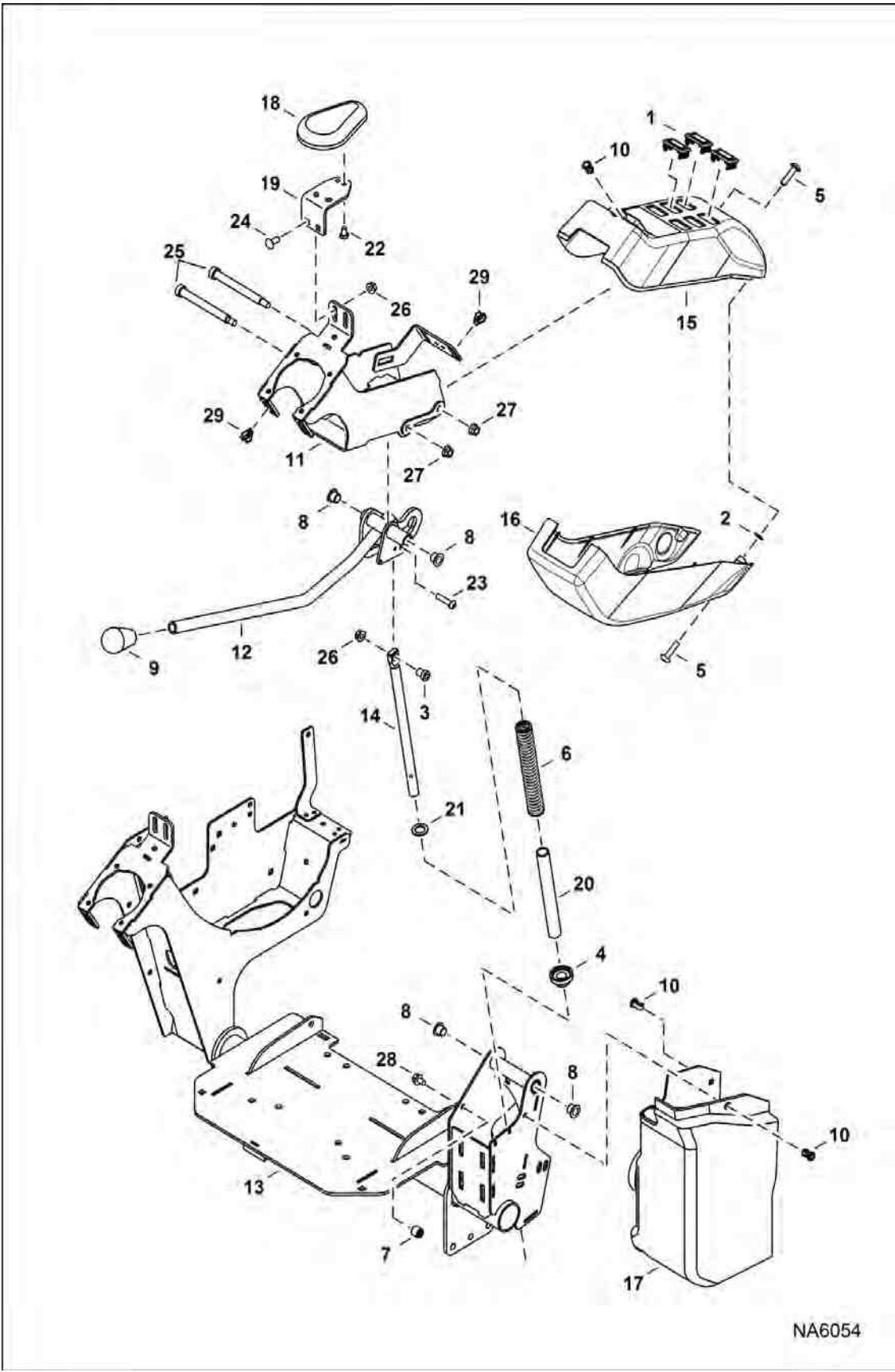


NA6052

BOOM SWING FRAME (Cont'd)

Ref No	Part Number	Description	Remarks	Serial Number	Qty
1	6534111	WASHER, 5			1
2	6534154	RING, RETAINER			1
3	7154369	FRAME, SWING			1
4	7157643	PIN, PIVOT			1
5	7157646	PIN, PIVOT			2
6	7157647	PIN, PIVOT			1
7	7159423	PIN, PIVOT			1
8	7166593	SUPPORT, BRACKET			1
9	7183443	PIN, PIVOT			1
10		CYLINDER, BOOM SWING	See Illustration BOOM SWING CYLINDER / NA6020		1
11	7192053	BUSHING, WEAR			1
12	7193164	SHIM			2
13	14JM12140	PIN, CLEVIS			2
14	16DM10	NUT	- Was 4DM10 [B]		2
15	1CM1070	BOLT	- Was 1CM1065 [B]		2
16	1CM1280	BOLT	- Was 1CM1270 [B]		1
17		UPPERSTRUCTURE	See Illustration UPPERSTRUCTURE / NA6026		1
18	16DM12	NUT	- Was 4DM12 [B]		1
19		BOOM	See Illustration BOOM / NA6050		1
20	13JM320	PIN			2

CONTROL CONSOLE
(LH)
(S/N AB8B11001 - AB8B11999)



NA6054

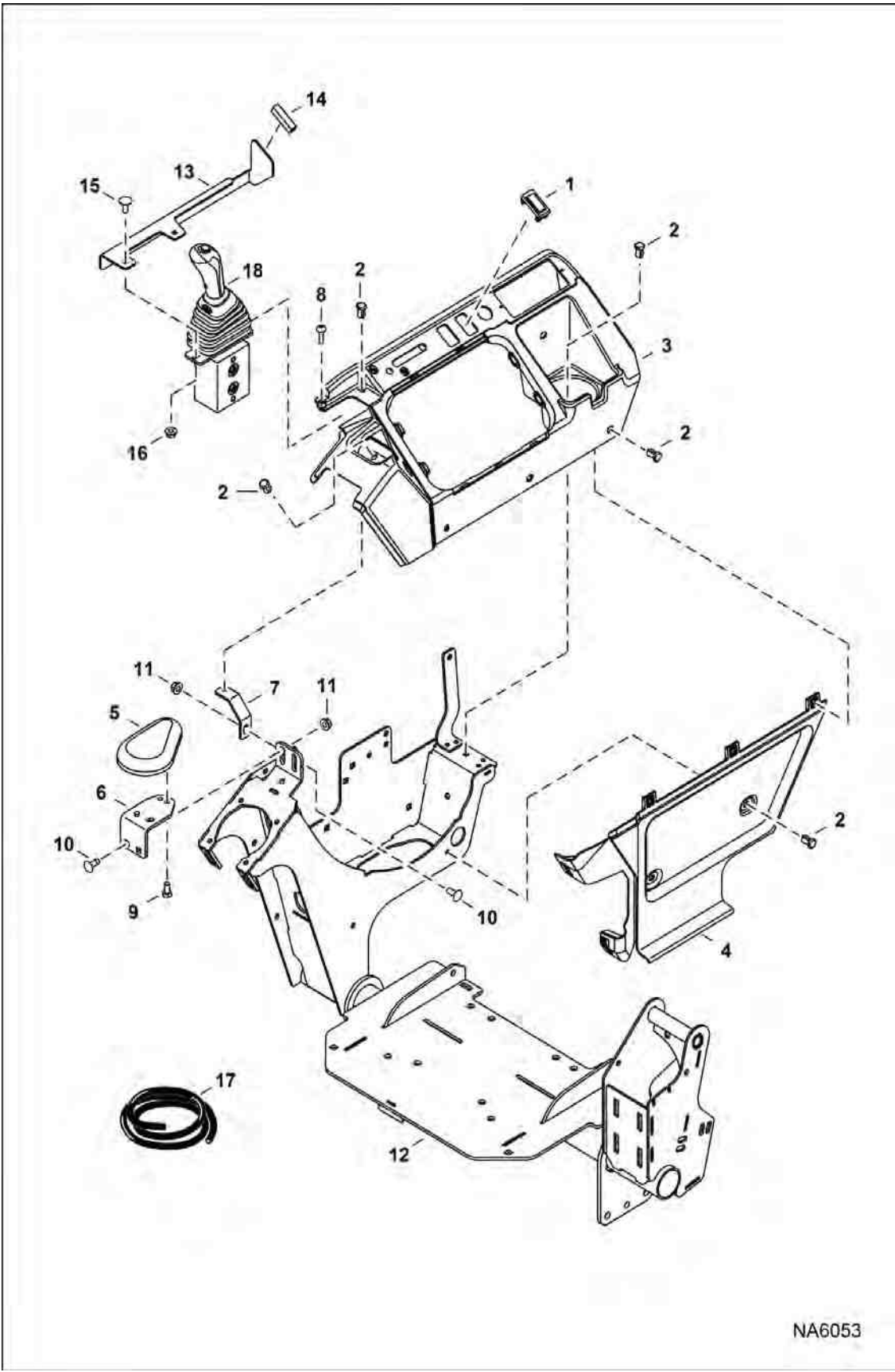
CONTROL CONSOLE (Cont'd)

(LH)

(S/N AB8B11001 - AB8B11999)

Ref No	Part Number	Description	Remarks	Serial Number	Qty
1	6665314	PLUG			3
2	6675212	RETAINER, BOLT			1
3	6808749	BUSHING			1
4	6810456	BUSHING			1
5	6816193	SCREW			2
6	7003497	SPRING, COMPRESSION			1
7	7003498	BEARING, ROLLER			1
8	7003499	BUSHING			4
9	7154041	KNOB			1
10	7160383	RIVET, BIRD CAGE			3
11	7164042	CONSOLE, JOYSTICK			1
12	7199664	HANDLE, OPERATING			1
13	7199673	FRAME OPERATOR W/A			1
14	7165097	SHAFT			1
15	7165562	COVER, LH			1
16	7165563	COVER, LH			1
17	7165564	COVER, LH			1
18	7169719	SUPPORT			1
19	7169720	MOUNT, ARMREST			1
20	7171264	SPACER, TUBE			1
21	15EM160	WASHER			1
22	4CM612	BOLT	Was 1CM612 [A]		3
23	27CM835	SCREW			1
24	28CM820	BOLT CARRIAGE 8.8			2
25	38C868	SCREW			2
26	51DM8	NUT HX THDLK PREAPPL			3
27	53D6	NUT			2
28	59CM812	SCREW HX FLNG W/T8.8			1
29	7165333	CLIP			4

CONTROL CONSOLE
(RH)
(S/N AB8B11001 - AB8B11999)



NA6053

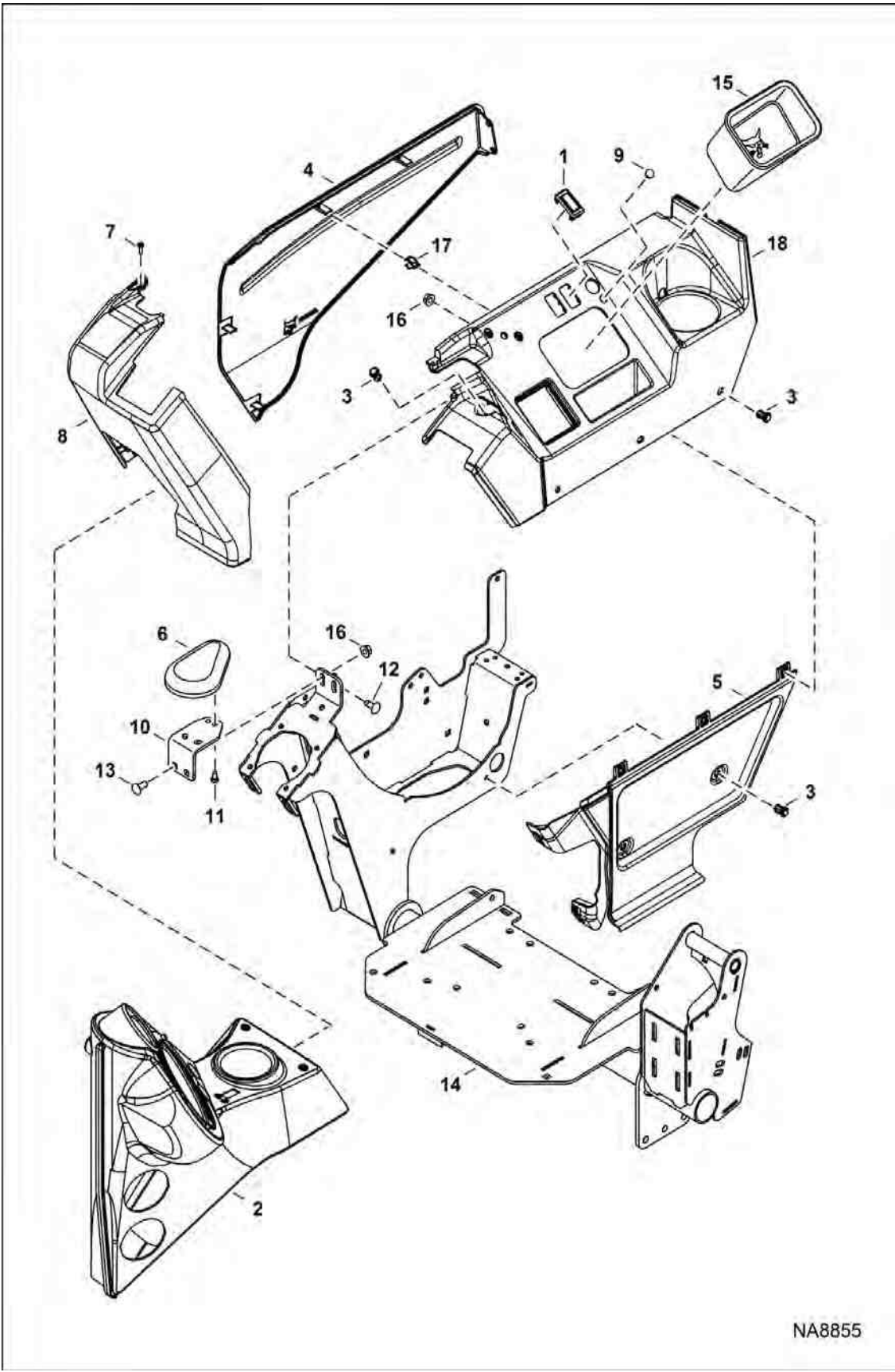
CONTROL CONSOLE (Cont'd)

(RH)

(S/N AB8B11001 - AB8B11999)

Ref No	Part Number	Description	Remarks	Serial Number	Qty
1	6665314	PLUG			2
2	7160383	RIVET, BIRD CAGE			8
3	7187363	COVER, RH			1
4	7168965	COVER, RH			1
5	7169719	SUPPORT			1
6	7169720	MOUNT, ARMREST			1
7	7174826	BRACKET			1
8	7177015	SCREW			1
9	4CM612	BOLT	Was 1CM612 [A]		3
10	28CM820	BOLT CARRIAGE 8.8			3
11	51DM8	NUT HX THDLK PREAPPL			3
12		CONTROLLER, JOYSTICK ASSY	See Illustration CONTROL CONSOLE / NA6054		1
13	7181142	BRACKET, SUPPORT			1
14		TRIM	NLA - 43,8 mm (1.75") long - Order Ref. 17		1
15	21CM616	SCREW			2
16	51DM6	NUT HX THDLK PREAPPL			2
17	6682492	EDGE TRIM BULK/FT	bulk - sold per foot		x
18		JOYSTICK, BLADE	See Illustration BLADE JOYSTICK / NA6759		1

CONTROL CONSOLE
(RH)
(S/N AB8B12001 & Above)



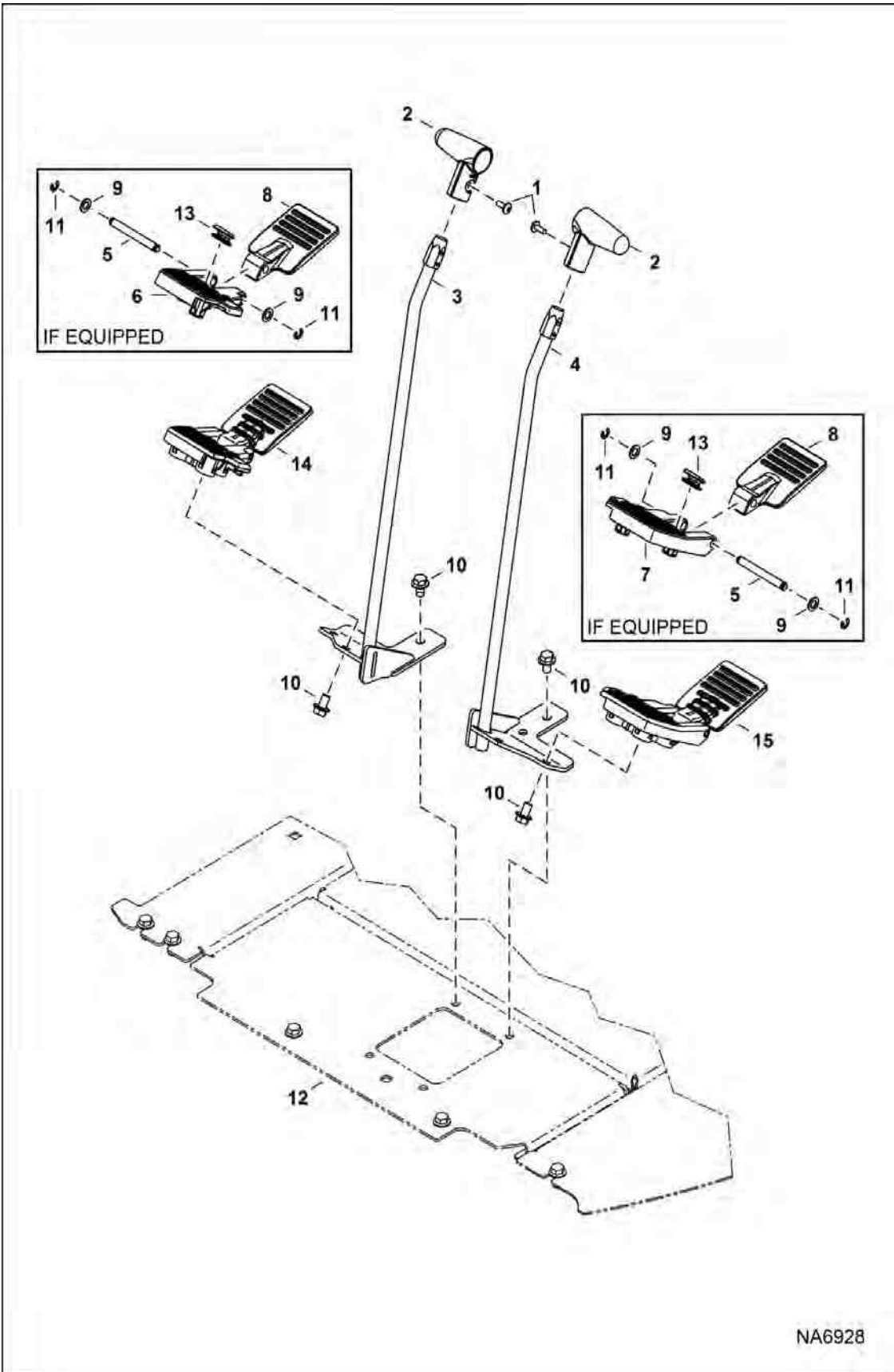
NA8855

CONTROL CONSOLE (Cont'd)

(RH)
(S/N AB8B12001 & Above)

Ref No	Part Number	Description	Remarks	Serial Number	Qty
1	6665314	PLUG			1
2		CONSOLE			1
3	7160383	RIVET, BIRD CAGE			8
4	7165567	COVER, RH			1
5	7168965	COVER, RH			1
6	7169719	SUPPORT			1
7	7192287	BOLT			1
8	7206488	COVER, RH			1
9	7182942	PLUG			1
10	7227780	MOUNT, ARMREST			1
11	4CM612	BOLT	Was 1CM612 [A]		3
12	28CM820	BOLT CARRIAGE 8.8	Was 28CM816		1
13	28CM820	BOLT CARRIAGE 8.8			2
14		CONTROLLER, JOYSTICK ASSY			1
15	7154285	BOX,RADIO DELETE			1
16	51DM8	NUT HX THDLK PREAPPL			3
17	7165333	CLIP			4
18	7241307	CONSOLE, RH			1

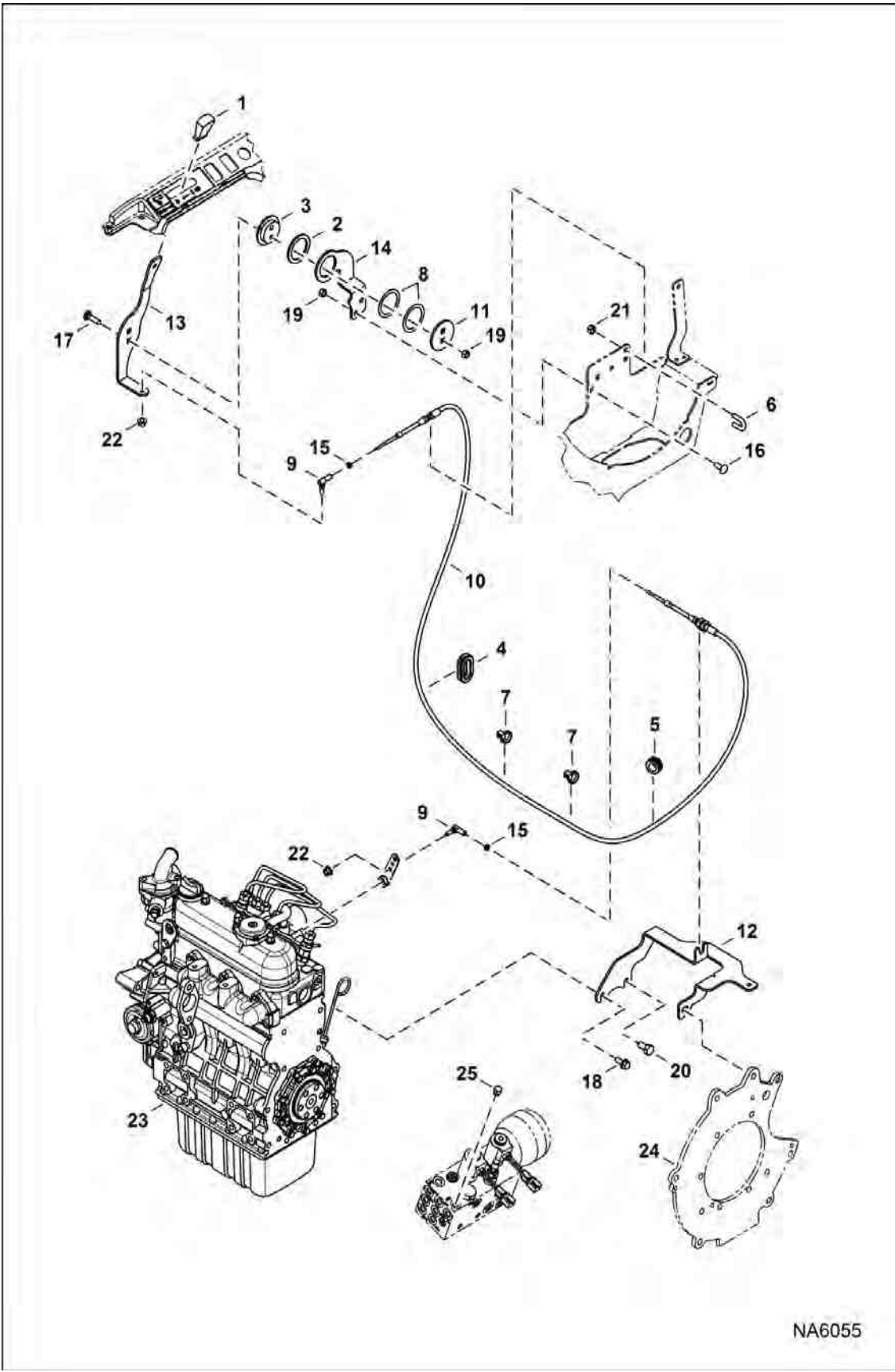
TRAVEL CONTROL



TRAVEL CONTROL (Cont'd)

Ref No	Part Number	Description	Remarks	Serial Number	Qty
1	6803202	SCREW			2
2	7163788	HANDLE, LEVER CONTROL			2
3	7164047	LEVER, CONTROL			1
4	7164048	LEVER, CONTROL			1
5	7164061	PIN, HINGE			2
6		PEDAL, RH	NLA - Order Ref. 14 - Was 7167166 [A]		1
7		PEDAL, LH	NLA - Order Ref. 15 - Was 7167167 [A]		1
8		PEDAL, BACK	NLA - Order Ref. 14 or 15 - Was 7167168 [A]		2
9	15EM100	WASHER			4
10	29CM1020	SCREW HEX 10MMX20MM			8
11	9JM70	RETAINER SHAFT			4
12		PLATE, FLOOR	See Illustration OPERATOR AREA & SEAT / NA6028		1
13	7181057	GROMMET			2
14	7210820	PEDAL ASSY RH			1
15	7210821	PEDAL ASSY LH			1

THROTTLE CONTROL (Manual)

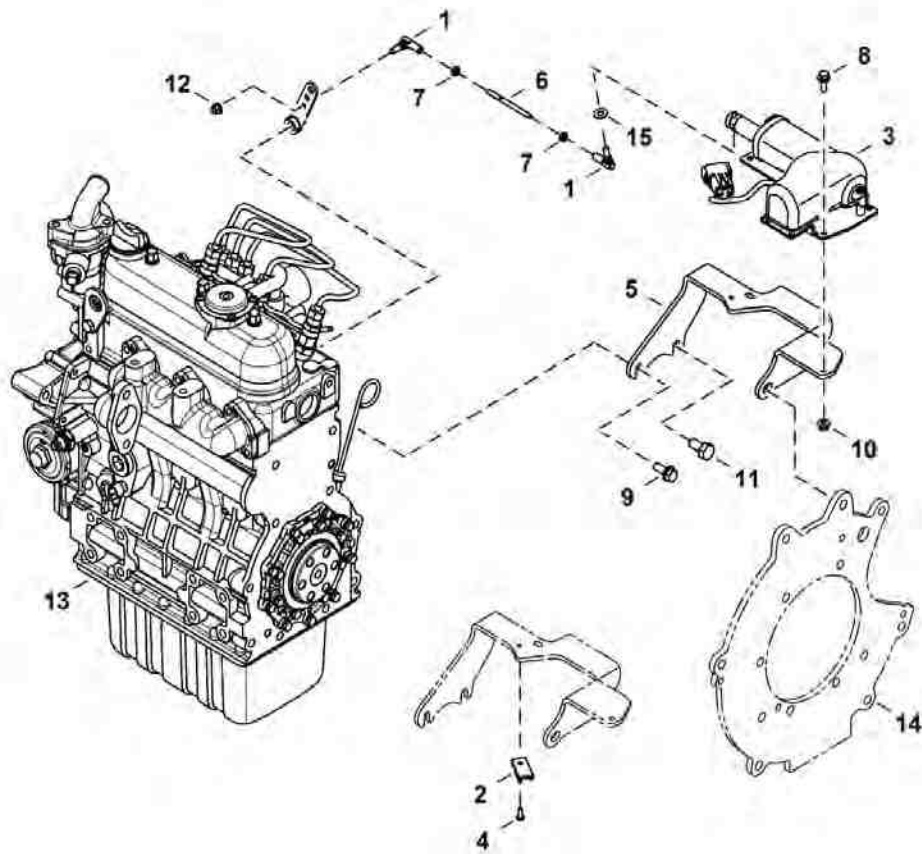


NA6055

THROTTLE CONTROL (Cont'd)
(Manual)

Ref No	Part Number	Description	Remarks	Serial Number	Qty
1	6564452	LEVERGRIP			1
2	6567962	WASHER			1
3	6567963	SPACER			1
4	6577961	GROMMET			1
5	6587887	GROMMET			1
6	6592766	U-BOLT			1
7	6624289	STRAP, TIE			2
8	6630945	WASHER			2
9	6644965	BALL JOINT			2
10	6675668	CABLE, THROTTLE			1
11	7114497	WASHER			1
12	7187738	HOLDER, CABLE			1
13	7187750	LEVER, THROTTLE			1
14	7187751	BRACKET, LEVER			1
15	14D10	NUT HEX MACH SCREW			2
16	28CM820	BOLT CARRIAGE 8.8			2
17	28CM830	BOLT			2
18	29CM820	SCREW FLNGE HEX CAP			1
19	53DM8	NUT HX THDLK PREAPPL			4
20	5CM1020	SCREW			1
21	61D5	NUT 10			2
22	98D4	NUT			2
23		ENGINE	See Illustration ENGINE & ATTACHING PARTS / NA6063		1
24		PLATE, FLYWHEEL	See Illustration ENGINE & ATTACHING PARTS / NA6063		1
25	24K2	PLUG			1
25	79K3	O RING 10			1

THROTTLE CONTROL
(Auto Idle)
(S/N AB8B11001 - AB8B12369)



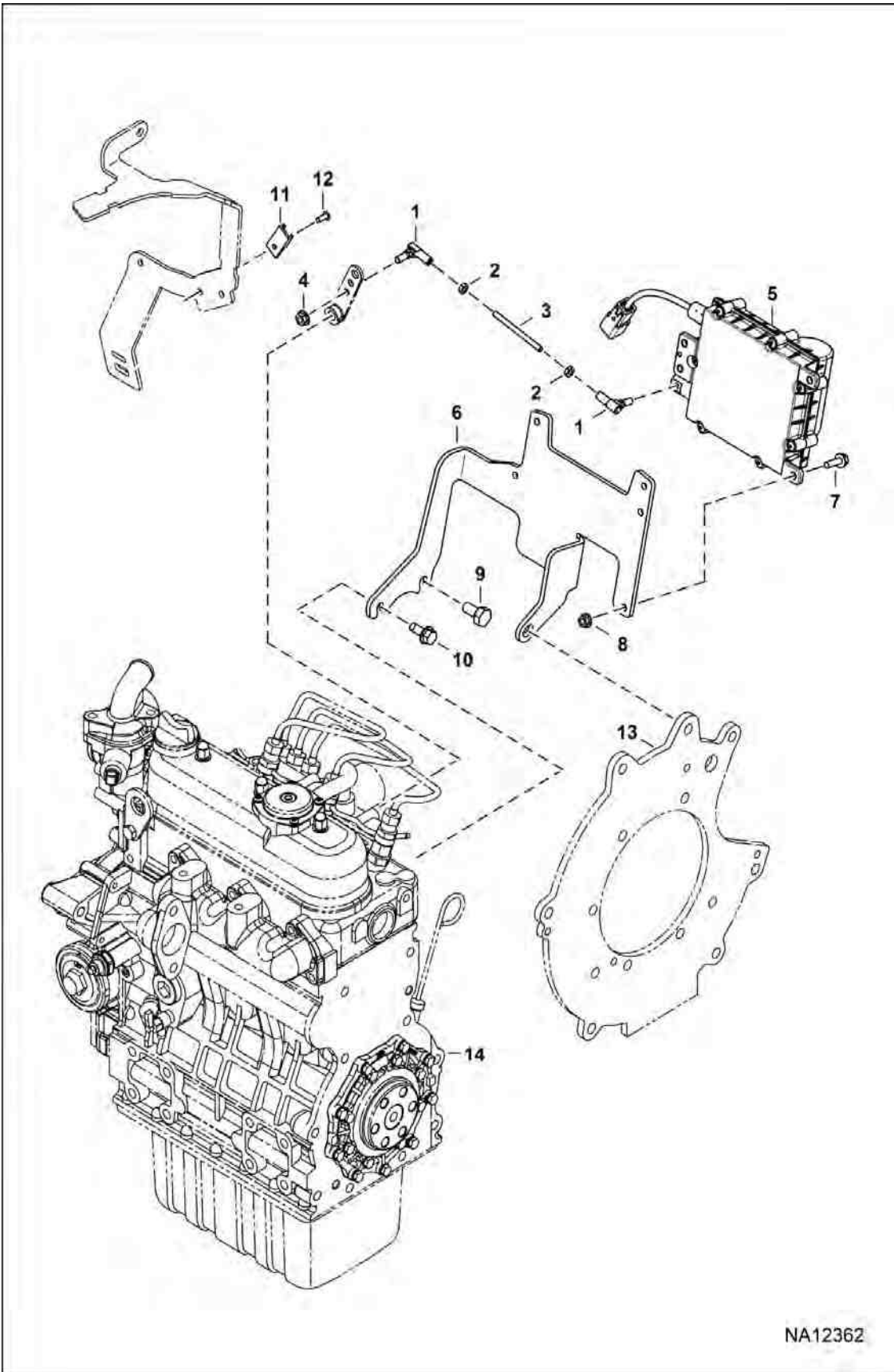
NA6057

THROTTLE CONTROL (Cont'd)

(Auto Idle)
(S/N AB8B11001 - AB8B12369)

Ref No	Part Number	Description	Remarks	Serial Number	Qty
1	6644965	BALL JOINT			2
2	6665000	CLIP			1
3	6698169	ACTUATOR, THROTTLE			1
4	6814428	RIVET			1
5	7187893	BRACKET, THROTTLE			1
6	7187895	LINK			1
7	14D10	NUT HEX MACH SCREW			2
8	29CM616	SCREW FLGD HEX CAP			2
9	29CM820	SCREW FLNGE HEX CAP			1
10	51DM6	NUT HX THDLK PREAPPL			2
11	5CM1020	SCREW			1
12	98D4	NUT			1
13		ENGINE	See Illustration ENGINE & ATTACHING PARTS / NA6063		1
14		PLATE, FLYWHEEL	See Illustration ENGINE & ATTACHING PARTS / NA6063		1
15	25E11	WASHER			1

THROTTLE CONTROL
(Auto Idle)
(S/N AB8B12370 & Above)



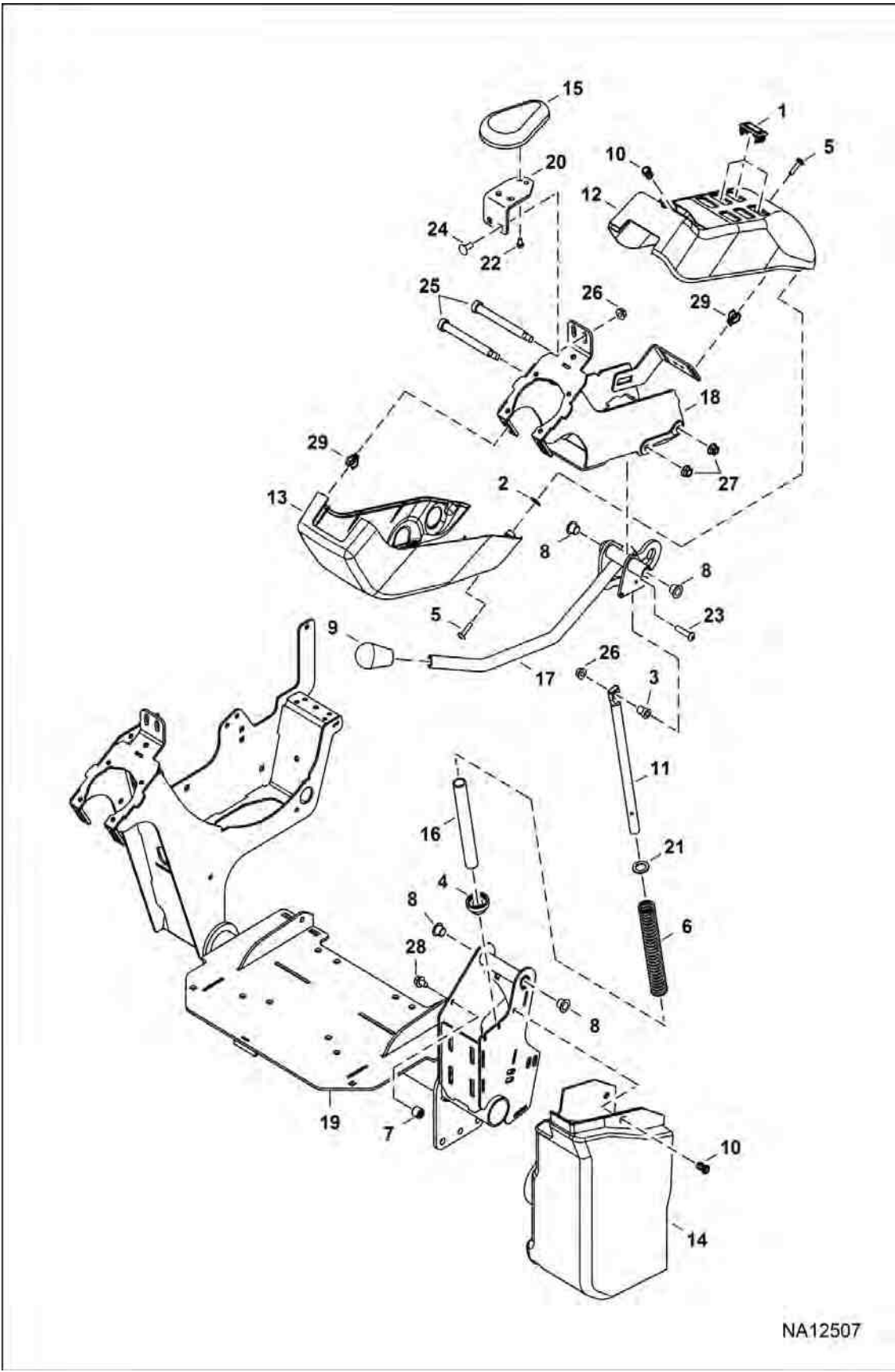
NA12362

THROTTLE CONTROL (Cont'd)

(Auto Idle)
(S/N AB8B12370 & Above)

Ref No	Part Number	Description	Remarks	Serial Number	Qty
1	6644965	BALL JOINT			2
2	14D10	NUT HEX MACH SCREW			2
3	7187895	LINK			1
4	98D4	NUT			1
5	7307186	ACTUATOR THROTTLE	Was 7234210 [A]		1
6	7235522	BRACKET, THROTTLE			1
7	29CM620	SCREW FLGD HEX CAP			5
8	51DM6	NUT HX THDLK PREAPPL			5
9	5CM1020	SCREW			1
10	29CM820	SCREW FLNGE HEX CAP			1
11	6665000	CLIP			1
12	6814428	RIVET			1
13		PLATE, FLYWHEEL			1
14		ENGINE			1

CONTROL CONSOLE
(LH)
(S/N AB8B12000 & Above)



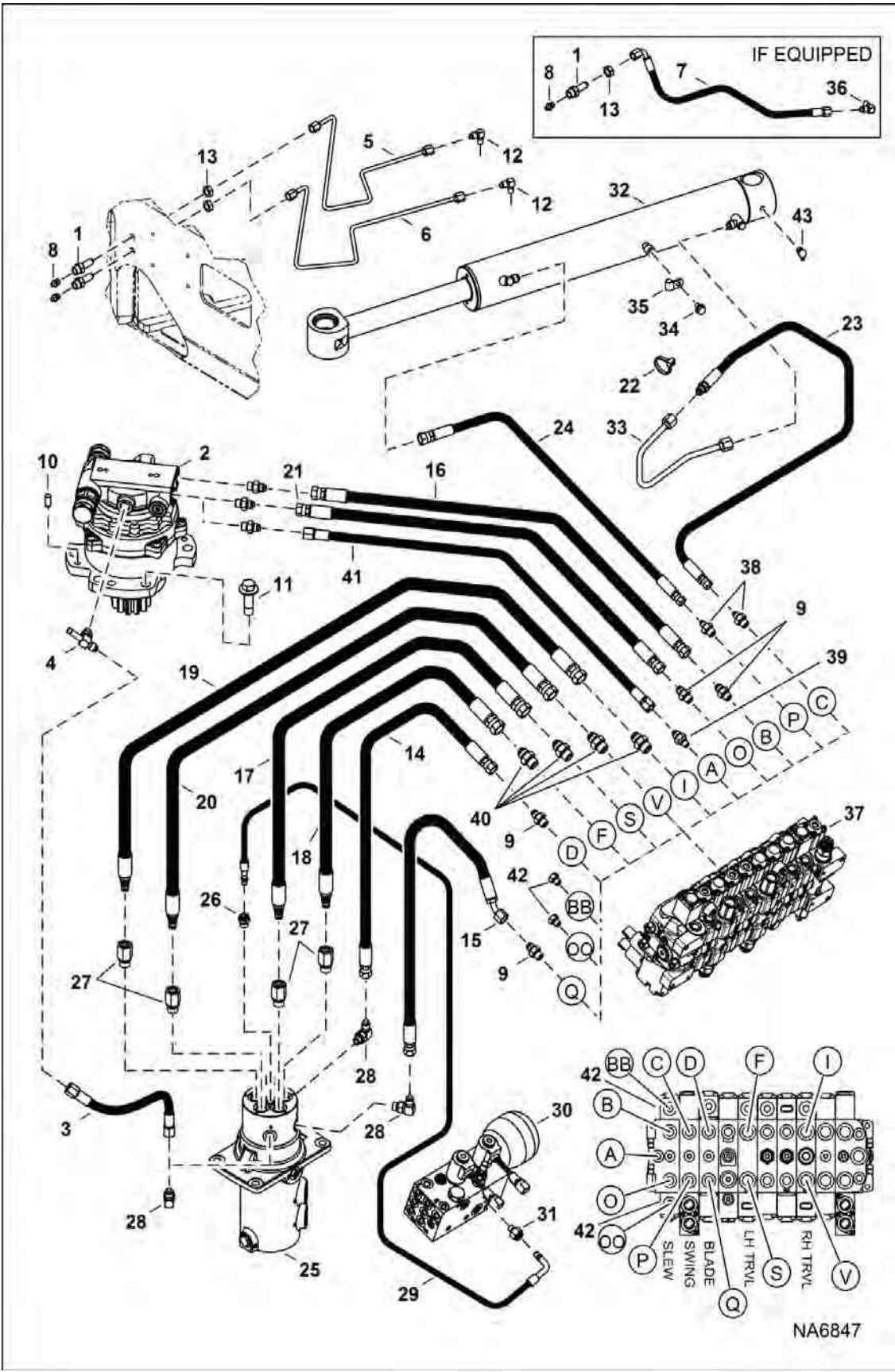
NA12507

CONTROL CONSOLE (Cont'd)

(LH)
(S/N AB8B12000 & Above)

Ref No	Part Number	Description	Remarks	Serial Number	Qty
1	6665314	PLUG			3
2	6675212	RETAINER, BOLT			1
3	6808749	BUSHING			1
4	6810456	BUSHING			1
5	6816193	SCREW			2
6	7003497	SPRING, COMPRESSION			1
7	7003498	BEARING, ROLLER			1
8	7003499	BUSHING			4
9	7154041	KNOB			1
10	7160383	RIVET, BIRD CAGE			3
11	7165097	SHAFT			1
12	7165562	COVER, LH			1
13	7165563	COVER, LH			1
14	7165564	COVER, LH			1
15	7169719	SUPPORT			1
16	7171264	SPACER, TUBE			1
17	7199664	HANDLE, OPERATING			1
18	7218095	CONSOLE, W/A			1
19	7218096	FRAME OPERATOR W/A			1
20	7227780	MOUNT, ARMREST			1
21	15EM160	WASHER			1
22	4CM612	BOLT	Was 1CM612 [A]		3
23	27CM835	SCREW			1
24	28CM820	BOLT CARRIAGE 8.8			2
25	38C868	SCREW			2
26	51DM8	NUT HX THDLK PREAPPL			3
27	53D6	NUT			2
28	59CM812	SCREW HX FLNG W/T8.8			1
29	7165333	CLIP			4

HYDRAULIC CIRCUITRY (Upper/Swing)

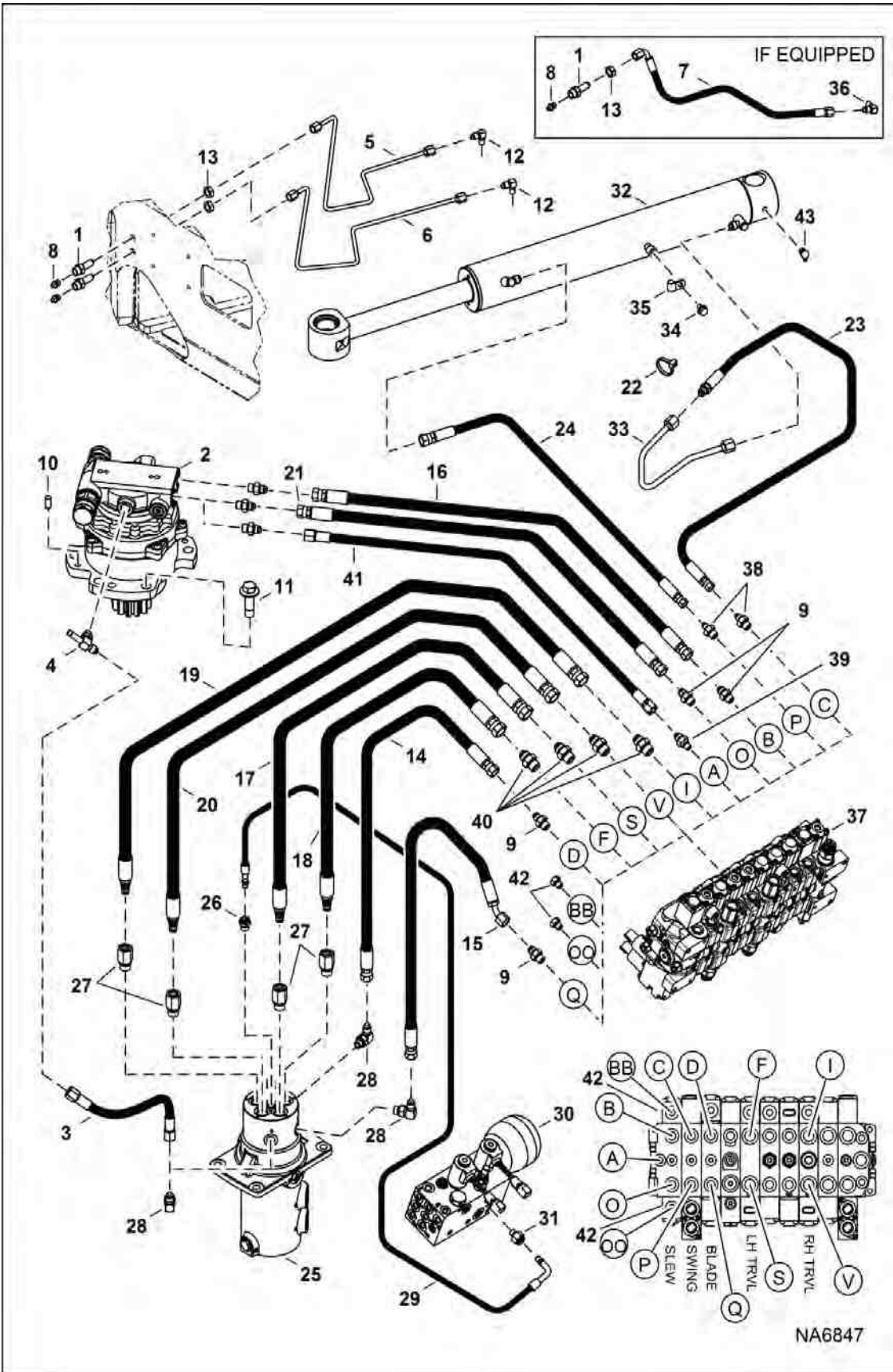


HYDRAULIC CIRCUITRY (Cont'd)
(Upper/Swing)

Ref No	Part Number	Description	Remarks	Serial Number	Qty
1	6807184	FITTING			3
2	7219299	MOTOR, SLEW	See Illustration SLEW MOTOR / NA6828		1
3	7165867	HOSE, HYD			1
4	7174613	TEE			1
4	79K6	O RING 10			x
5	7175737	TUBELINE, HYD			1
6	7175738	TUBELINE, HYD			1
7	7179579	HOSE, HYD	- If Equipped		1
8	10H25	FITTING, GREASE 5			3
9	15KB0606	FITTING, HYD CONNECTOR			7
9	79K6	O RING 10			x
10	23JM1032	PIN, STRAIGHT HARDENED			2
11	60CM1650	SCREW HX FLNGW/T10.9			6
12	83F3	ELBOW 5			2
13	86F3	NUT 10			3
14	7161482	HOSE, HYD			1
15	7161483	HOSE, HYD			1
16	7208574	HOSE, HYD			1
17	7194325	HOSE, HYD	Also Order Ref. 27		1
18	7194326	HOSE, HYD	Also Order Ref. 27		1
19	7194327	HOSE, HYD	Also Order Ref. 27		1
20	7194328	HOSE, HYD	Also Order Ref. 27		1
21	7208563	HOSE, HYD			1
22	6624289	STRAP, TIE			1
23	7192270	HOSE, HYD			1
24	7204143	HOSE, HYD			1
25		SWIVEL, HYD ASSY	See Illustration SWIVEL ASSY / NA8155 - W/O Angle Blade		1
25		SWIVEL, HYD ASSY	See Illustration SWIVEL ASSY / NA10978 - W/O Angle Blade		1
26	10L0606	FITTING, HYD CONNECTOR			3
26	78K6	O'RING			x
26	7011053	CLIP			x
27	15HB0808	FITTING	Also Order hose		4
27	78K8	O RING			x
28	17KB0606	FITTING			3
28	79K6	O RING 10			x
29	7202276	HOSE, HYD			1
30	7204476	MANIFOLD, HYD ASSY	See Illustration MANIFOLD ASSY / NA6098		1
31	10L0604	FITTING, HYD CONNECTOR			1
31	78K4	O'RING			x
31	7011053	CLIP			x
32	7188883	CYLINDER, SWING	See Illustration BOOM SWING CYLINDER / NA6020		1

HYDRAULIC CIRCUITRY (Cont'd)

(Upper/Swing)

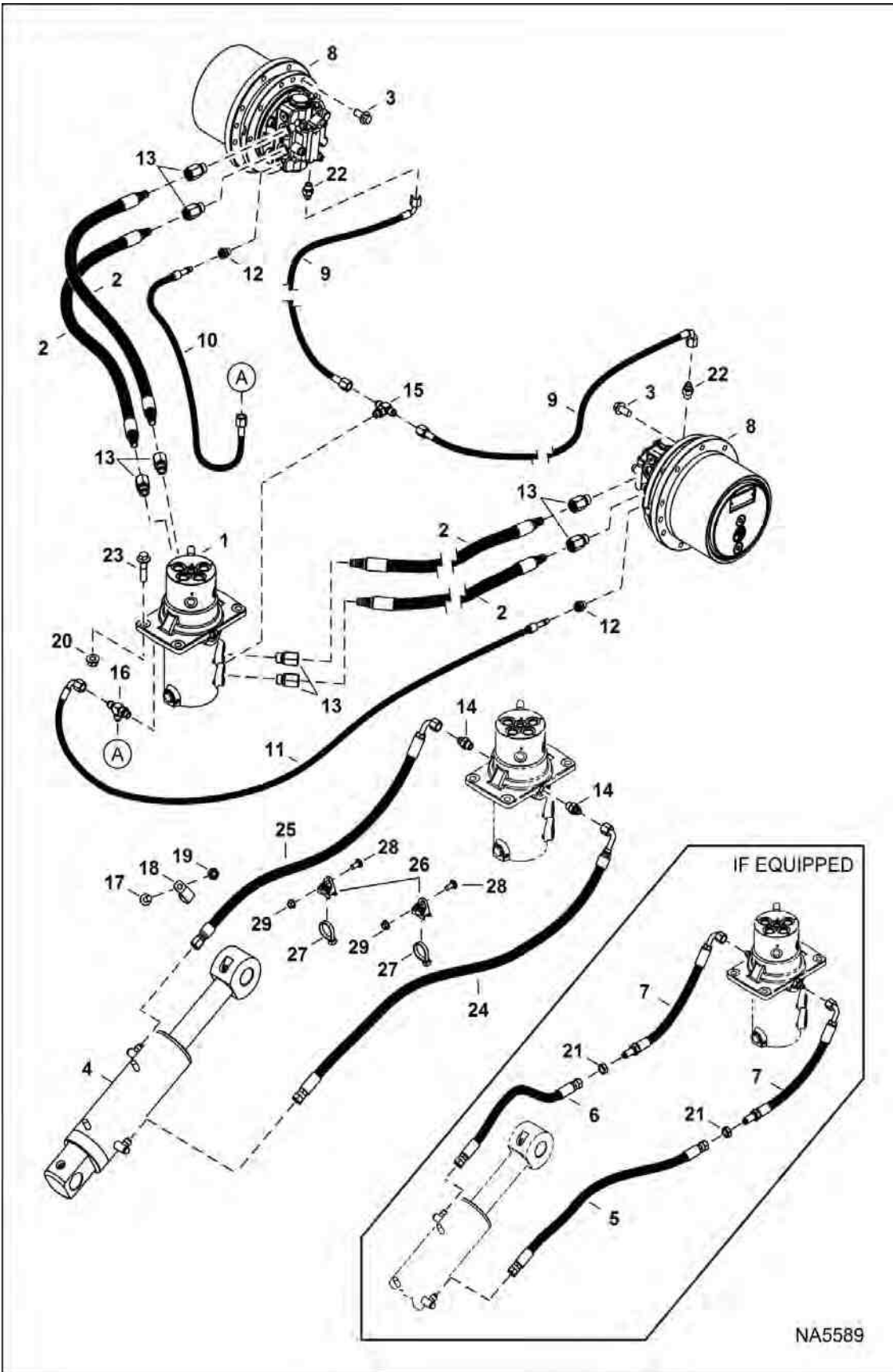


NA6847

HYDRAULIC CIRCUITRY (Cont'd)
(Upper/Swing)

Ref No	Part Number	Description	Remarks	Serial Number	Qty
33	7189020	TUBELINE, HYD			1
34	29CM812	BOLT			1
35	30H22	CLIP INSULATED			1
36	83F3	ELBOW 5	- If Equipped		1
37	7188867	VALVE, CONTROL	See Illustration HYDRAULIC CONTROL VALVE / NA6140		1
38	15KB0406	FITTING, HYD CONNECTOR			2
38	79K6	O RING 10			x
39	15KB0604	FITTING, HYD CONNECTOR			1
39	79K4	O RING 10			x
40	15KB0808	FITTING, HYD CONNECTOR			4
40	79K8	O RING 10			x
41	7208577	HOSE, HYD			1
42	24K3	PLUG			2
43	12H15	FITTING, GREASE 5			1

HYDRAULIC CIRCUITRY (Lower)



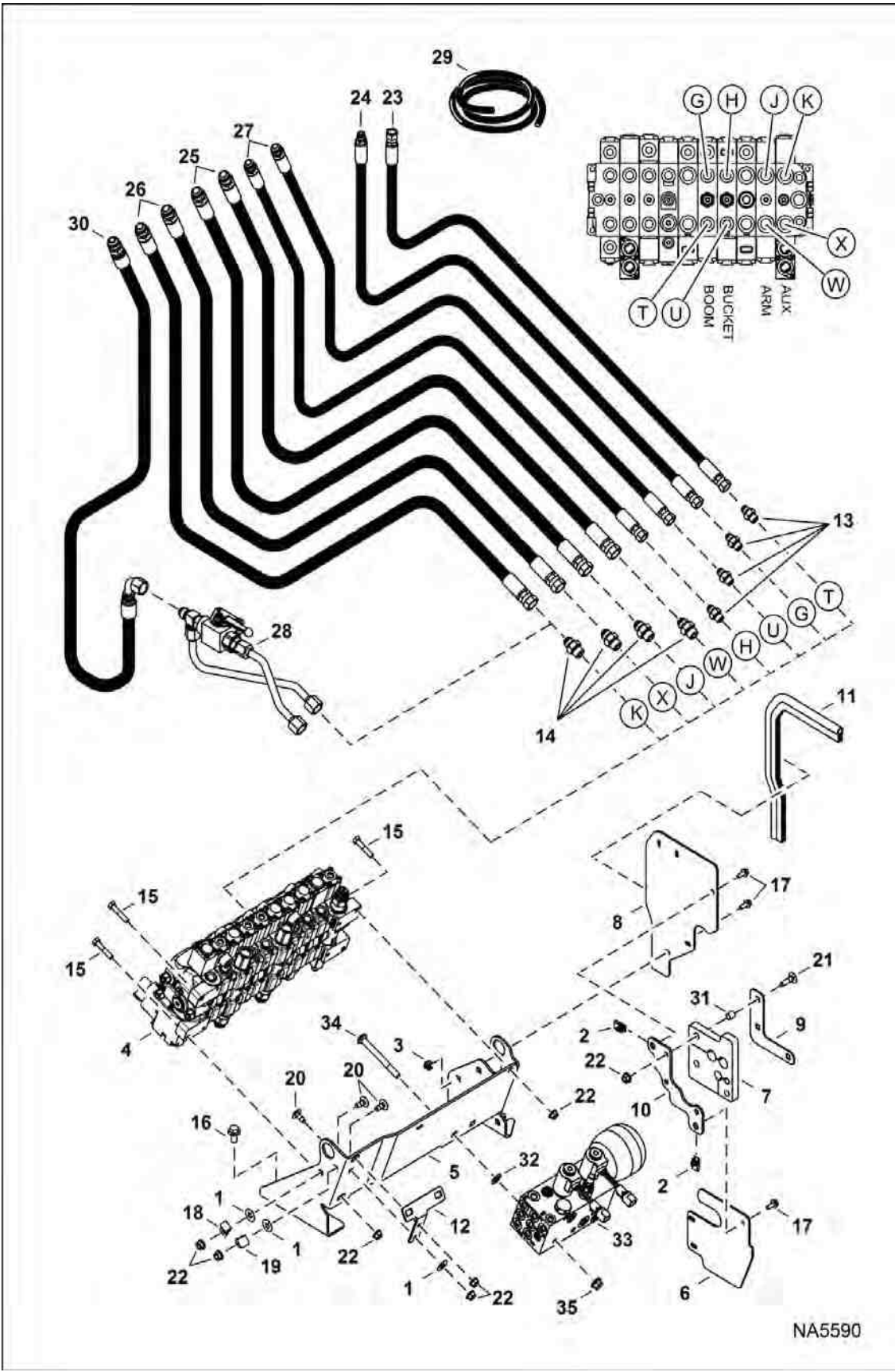
HYDRAULIC CIRCUITRY (Cont'd)

(Lower)

Ref No	Part Number	Description	Remarks	Serial Number	Qty
1		SWIVEL, HYD ASSY	See Illustration SWIVEL ASSY / NA8155 - W/O Angle Blade		1
1		SWIVEL, HYD ASSY	See Illustration SWIVEL ASSY / NA10978 - W/O Angle Blade		1
2	7212834	HOSE, HYD	Also Order Ref. 13		4
3	7162236	SCREW			22
4		CYLINDER, BLADE	See Illustration HYDRAULIC CONTROL VALVE / NA6140		1
5	7165840	HOSE, HYD	if equipped	AB8B12301 & Above	1
6	7165841	HOSE, HYD	if equipped	AB8B12301 & Above	1
7	7165842	HOSE, HYD	if equipped	AB8B12301 & Above	2
8	7190517	MOTOR, DRIVE HYD TRAVEL	See Illustration TRAVEL MOTOR / NA6099		2
9	7196735	HOSE, HYD			2
10	7215319	HOSE, HYD			1
11	7223878	HOSE, HYD			1
12	10L0606	FITTING, HYD CONNECTOR			3
12	78K6	O'RING			x
12	7011053	CLIP			x
13	15HB0808	FITTING	Also Order hose		8
13	78K8	O RING			x
14	15KB0606	FITTING, HYD CONNECTOR			2
14	79K6	O RING 10			x
15	19KB0606	FITTING, HYD TEE			1
15	79K6	O RING 10			x
16	21KB0606	FITTING, HYD TEE			1
16	79K6	O RING 10			x
17	29CM1025	SCREW FLGD HEX CAP			1
18	30H46	CLIP			1
19	43DM10	NUT FLANGED HEX			3
20	51DM12	NUT			4
21	86F5	NUT	if equipped		2
22		FITTING	See Illustration TRAVEL MOTOR / NA6099		2
23	29CM1250	BOLT			4
24	7239912	HOSE, HYD ASSY			1
25	7239913	HOSE, HYD ASSY			1
26	6678818	MOUNT			1
27	6624289	STRAP, TIE			1
28	28CM820	BOLT CARRIAGE 8.8			1
29	51DM8	NUT HX THDLK PREAPPL			1

HYDRAULIC CIRCUITRY

(Work Hoses & Control Valve Mounting)

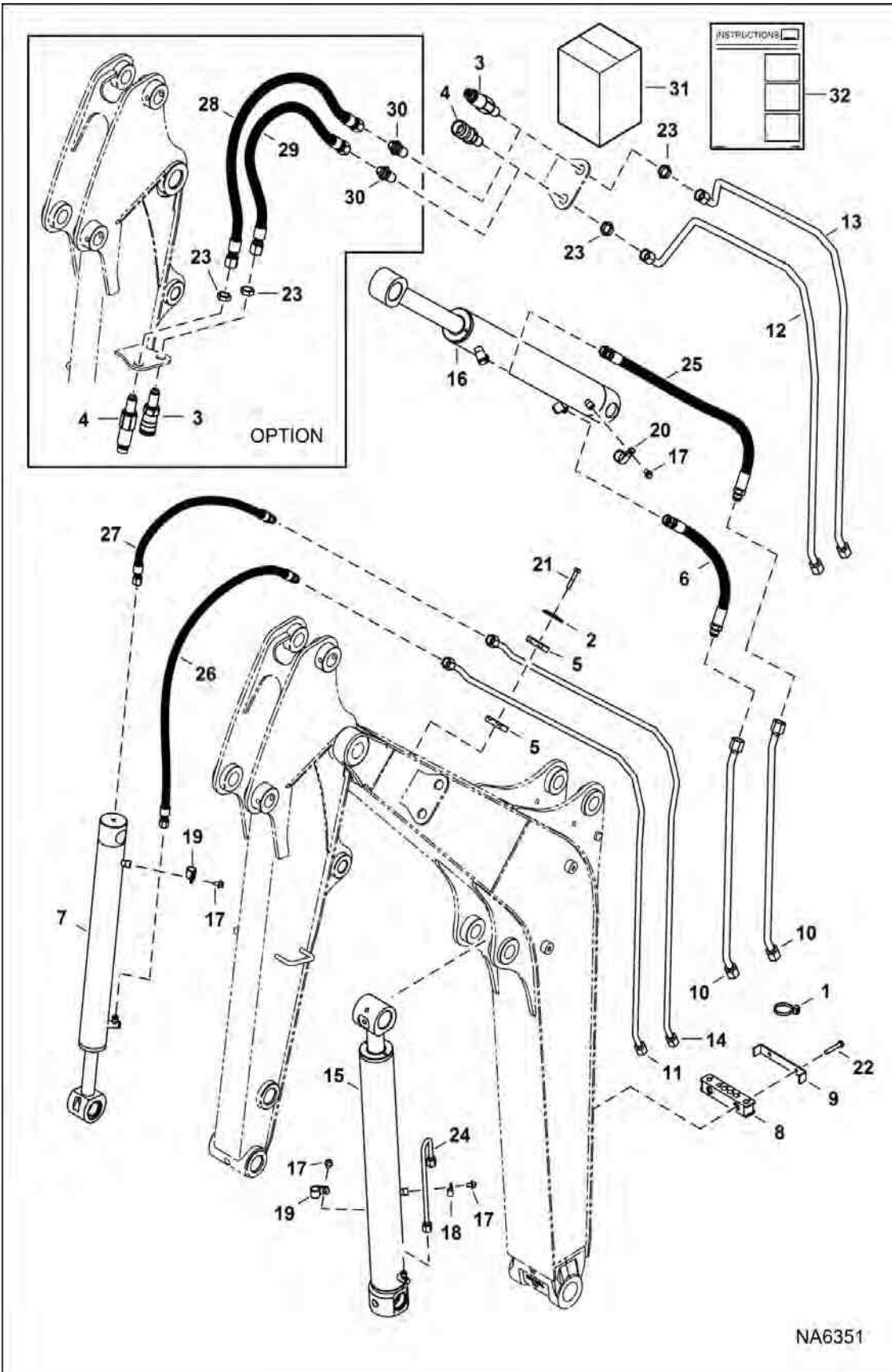


HYDRAULIC CIRCUITRY (Cont'd)
(Work Hoses & Control Valve Mounting)

Ref No	Part Number	Description	Remarks	Serial Number	Qty
1	6675859	RETAINER			5
2	6676026	NUT			2
3	7170765	NUT			4
4	7188867	VALVE, CONTROL	See Illustration HYDRAULIC CONTROL VALVE / NA6140		1
5	7188870	MOUNT, VALVE			1
6	7188871	COVER			1
7	7188872	SEAL, HOSE	W/Ref. 31		1
8	7188873	COVER			1
9	7188874	BRACKET			1
10	7188875	BRACKET			1
11		SEAL, COVER	NLA - 460 mm (18.11") long - Order Ref. 29		1
12	7192355	HOLDER			1
13	15KB0606	FITTING, HYD CONNECTOR			4
13	79K6	O RING 10			x
14	15KB0808	FITTING, HYD CONNECTOR			4
14	79K8	O RING 10			x
15	1CM840	SCREW HEX CAP			3
16	29CM1020	SCREW HEX 10MMX20MM			4
17	29CM616	SCREW FLGD HEX CAP			6
18	30H22	CLIP INSULATED			1
19	30H30	CLIP			1
20	28CM816	BOLT CARRIAGE 8.8			3
21	33CM830	BOLT			3
22	43DM8	NUT FLANGED HEX			11
23	7160289	HOSE, HYD	from valve boom A to boom cyl rod port		1
24	7160291	HOSE, HYD	from valve boom B to boom cyl base port		1
25	7160294	HOSE, HYD	from valve arm A to arm cyl rod port & from valve arm B to arm cyl base port		2
26	7160712	HOSE, HYD	from valve aux A to female aux port		1
27	7195206	HOSE, HYD	from valve bucket A to bucket cyl rod port & from valve bucket B to bucket cyl base port		2
28	7134803	SEAL, BULK	- sold per foot		x
29	7204137	HOSE, HYD			1
30		BUSHING	NSS - Order Ref. 7		3
31	6674264	RETAINER NUT			2
32	7204476	MANIFOLD, HYD ASSY	See Illustration MANIFOLD ASSY / NA6098		1
33	28CM10100	BOLT			2
34	43DM10	NUT FLANGED HEX			2

HYDRAULIC CIRCUITRY

(Work Tubelines, Cylinders & Couplers)



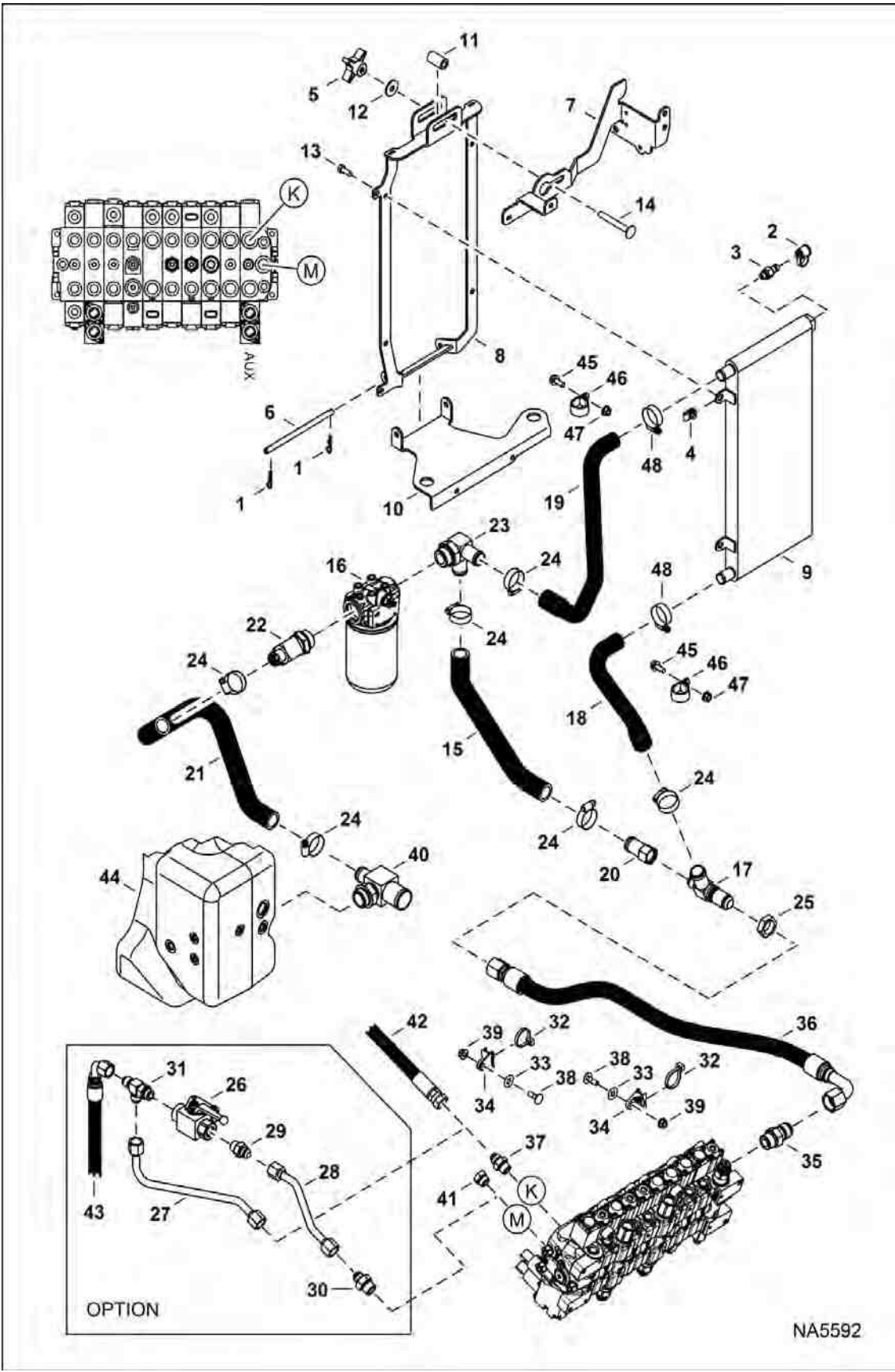
NA6351

HYDRAULIC CIRCUITRY (Cont'd)

(Work Tubelines, Cylinders & Couplers)

Ref No	Part Number	Description	Remarks	Serial Number	Qty
1	6624289	STRAP, TIE			3
2	6652521	PLATE			1
3	7246780	COUPLER, FF MALE	Contact your Local Dealer for Bobcat Technical Information BT1433exc - Was 6676444 [A]		1
4	7246794	COUPLER, FF FEMALE	Contact your Local Dealer for Bobcat Technical Information BT1433exc - Was 6676446 [A]		1
5	6701892	CLAMP			2
6	7158560	HOSE, HYD			1
7		CYLINDER, BUCKET	See Illustration BUCKET CYLINDER / NA6021		1
8	7160715	CLAMP, TUBELINE			2
9	7160716	BRACKET			2
10	7160717	TUBELINE, HYD			2
11	7252031	TUBELINE, HYD	- Was 7162356 [A]		1
12	7207341	TUBELINE, HYD			1
13	7207342	TUBELINE, HYD			1
14	7252030	TUBELINE, HYD	- Was 7162364 [A]		1
15		CYLINDER, BOOM	See Illustration BOOM CYLINDER / NA6019		1
16		CYLINDER, ARM	See Illustration ARM CYLINDER / NA6017		1
17	29CM812	BOLT			4
18	30H22	CLIP INSULATED			1
19	30H42	CLAMP			2
20	30H50	CLAMP			1
21	53CM845	BOLT			1
22	53CM850	SCREW			4
23	86F7	NUT 5			2
24	7160290	TUBELINE, HYD			1
25	7165083	HOSE			1
26	7252032	HOSE, HYD ASSY	1020 mm (40.16") long - for std arm - Was 7160713 [A]		1
26	7252034	HOSE, HYD ASSY	1300 mm (51.18") long - for long arm - Was 7165082 [A]		1
27	7252033	HOSE, HYD ASSY	600 mm (23.63") long - for std arm - Was 7160714 [A]		1
27	7252035	HOSE, HYD ASSY	875 mm (34.45") long - for long arm - Was 7193555 [A]		1
28	7212224	HOSE, HYD	870 mm (34.25") long - for std arm		1
28	7212764	HOSE, HYD	1120 mm (44.10") long - for long arm		1
29	7212225	HOSE, HYD	770 mm (30.32") long - for std arm		1
29	7212765	HOSE, HYD	1040 mm (40.95") long - for long arm		1
30	45K7	CONNECTR			2
31		KIT, COUPLER	NLA - Ref. 3, 4 & 32 - Order components - Was 7234490		1
32	6990822ENUS	INSTRUCTIONS	Was 6990822 [A]		1

HYDRAULIC CIRCUITRY (Cooler/Filter)



NA5592

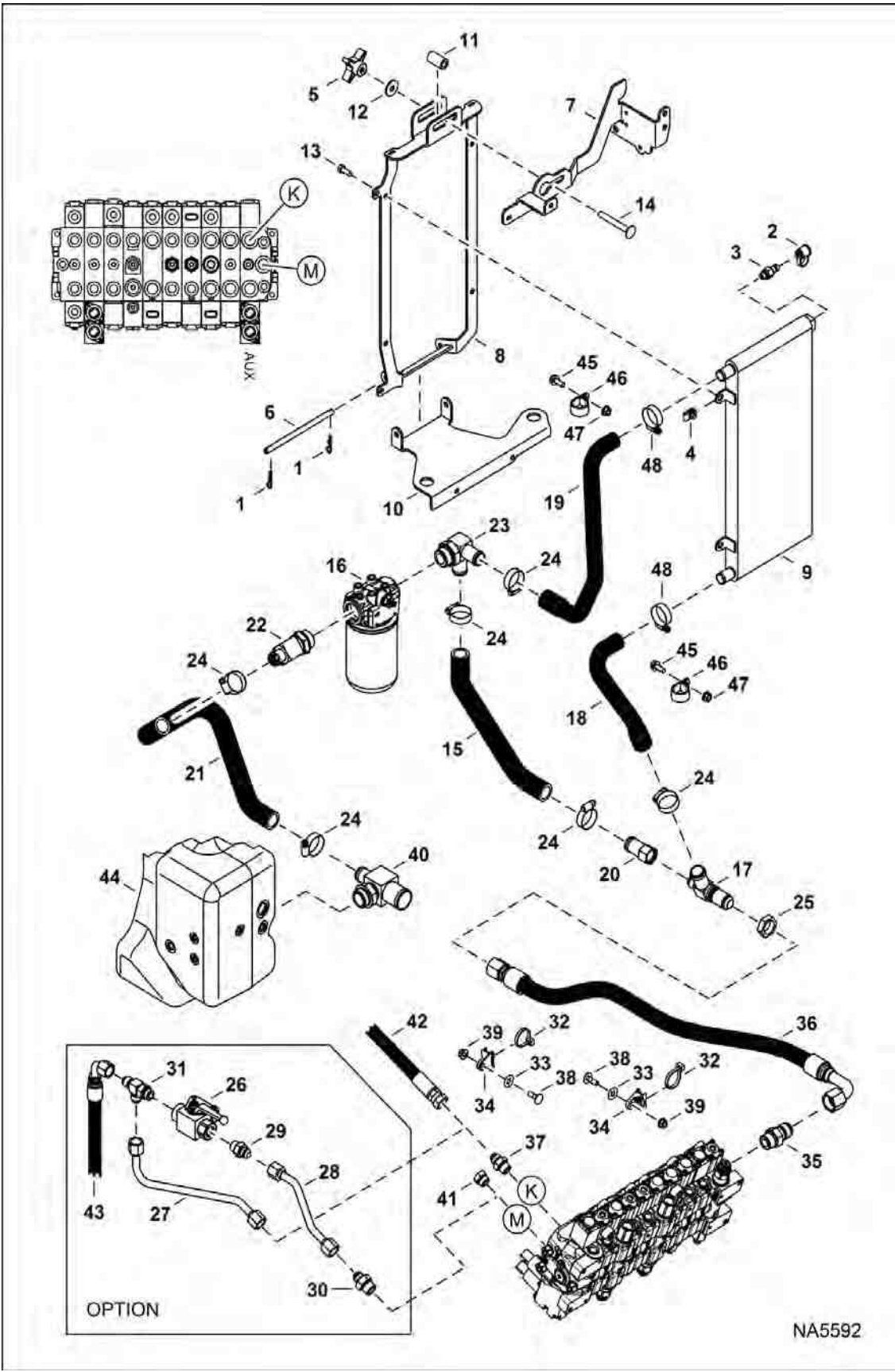
HYDRAULIC CIRCUITRY (Cont'd)

(Cooler/Filter)

Ref No	Part Number	Description	Remarks	Serial Number	Qty
1	1306637	CLIP			2
2	6630367	CAP			1
3	6658103	COUPLER			1
4	6676169	NUT			6
5	7167576	NUT, WING			1
6	7174835	PIN			1
7	7189004	MOUNT, RADIATOR			1
8	7190947	MOUNT			1
9	7193014	EXCHANGER, OIL COOLER			1
10	7194800	MOUNT, RADIATOR			1
11	7204016	SPACER			1
12	17EM100	WASHER			1
13	4CM820	BOLT	Was 1CM820 [A]		4
14	33CM1080	BOLT			1
15	7211827	HOSE, HYD FORMED			1
16	7188836	FILTER, OIL HYD ASSY	See Illustration HYDRAULIC OIL FILTER / NA6101		1
17	7188877	FITTING, HYD CONNECTOR			1
18	7211825	HOSE, HYD FORMED			1
19	7211826	HOSE, HYD FORMED			1
20	7189205	VALVE, BUILDUP			1
21	7191285	HOSE, HYD FORMED			1
22	7193576	FITTING			1
22	79K16	O RING 10			x
23	7193577	FITTING, HYD TEE			1
23	79K16	O RING 10			x
24	42HL150	CLAMP LINED HOSE			6
25	86F8	NUT 5			1
26	6693507	VALVE, BALL	See Illustration SELECTOR VALVE ASSY / NA2306		1
27	7189256	TUBELINE, HYD			1
28	7189258	TUBELINE, HYD			1
29	15KB0808	FITTING, HYD CONNECTOR			1
29	79K8	O RING 10			x
30	15KB0808	FITTING, HYD CONNECTOR			1
30	79K8	O RING 10			X
31	21KB0808	FITTING, HYD TEE			1
31	79K8	O RING 10			x
32	6624289	STRAP, TIE			2
33	6675859	RETAINER			5

HYDRAULIC CIRCUITRY (Cont'd)

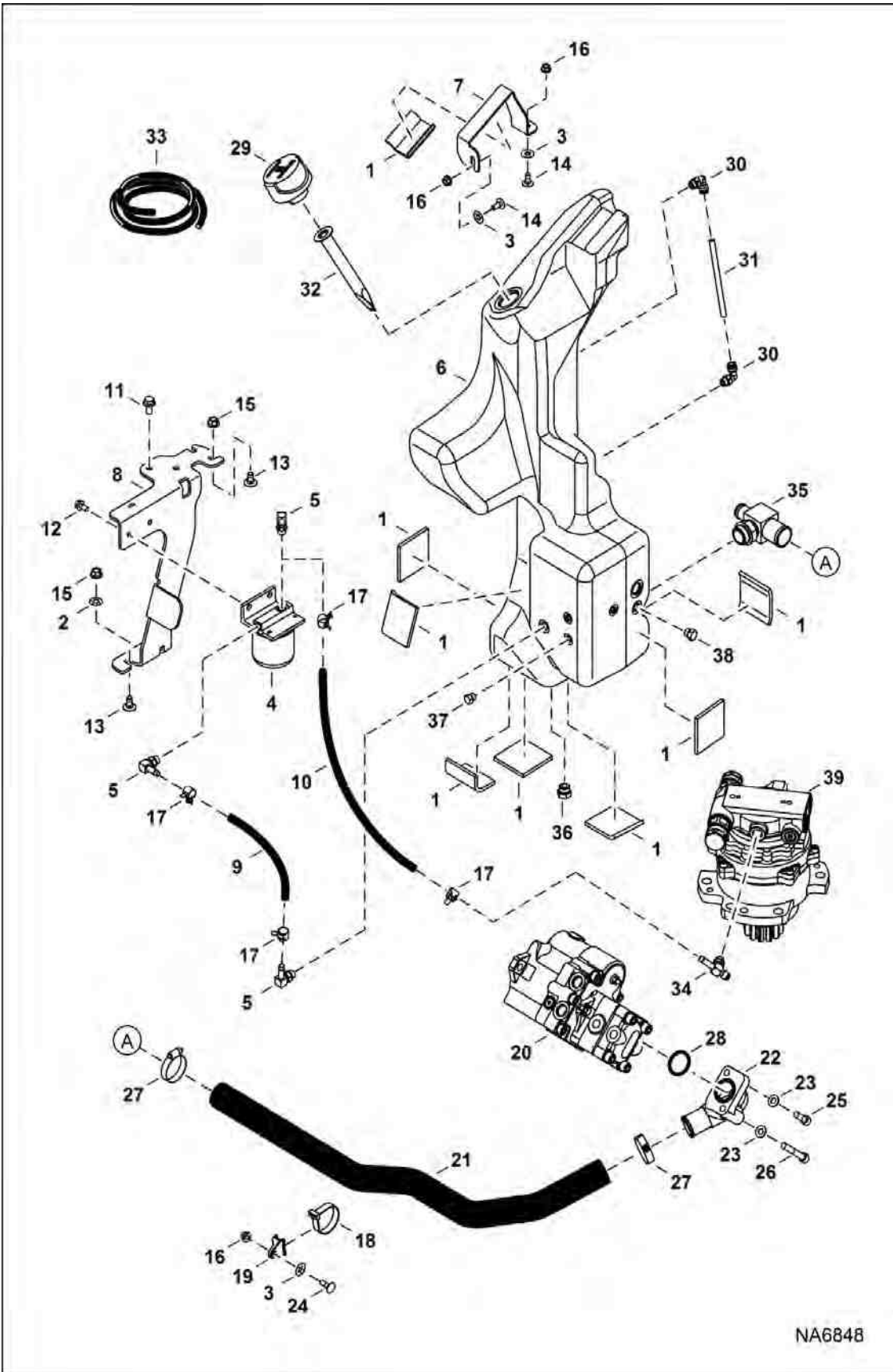
(Cooler/Filter)



HYDRAULIC CIRCUITRY (Cont'd)
(Cooler/Filter)

Ref No	Part Number	Description	Remarks	Serial Number	Qty
34	6678818	MOUNT			2
35	7191419	FITTING, HYD CONNECTOR			1
35	79K20	O RING 10			x
36	7202292	HOSE, HYD			1
37	15KB0808	FITTING, HYD CONNECTOR			1
37	79K8	O RING 10			x
38	33CM825	BOLT			2
39	43DM8	NUT FLANGED HEX			1
40	7191282	FITTING, HYD TEE			1
40	79K16	O RING 10			x
41	24K6	FITTING			1
41	79K8	O RING 10			x
42		HOSE, HYD	See Illustration HYDRAULIC CIRCUITRY / NA5590		1
43		HOSE, HYD	See Illustration HYDRAULIC CIRCUITRY / NA5590		1
44		TANK, HYD	See Illustration HYDRAULIC CIRCUITRY / NA6848		1
45	29CM820	SCREW FLNGE HEX CAP			2
46	30H57	CLAMP			2
47	51DM8	NUT HX THDLK PREAPPL			2
48	42HL100	CLAMP HOSE TYPE MX	Was 7225831 [A]		2

HYDRAULIC CIRCUITRY (Tank & Pump)



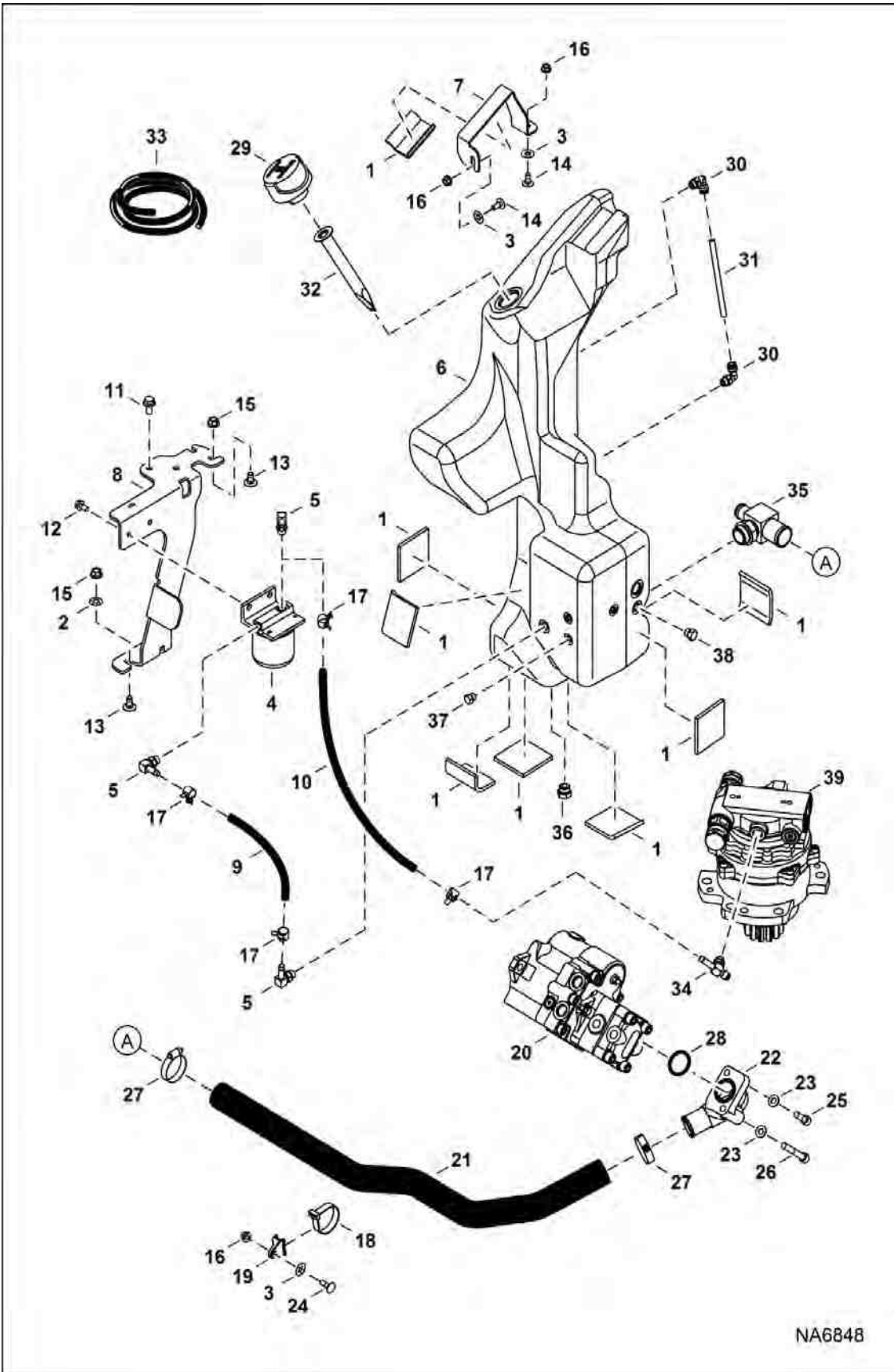
NA6848

HYDRAULIC CIRCUITRY (Cont'd)
(Tank & Pump)

Ref No	Part Number	Description	Remarks	Serial Number	Qty
1	6578278	BUMP.PAD			8
2	6674264	RETAINER NUT			2
3	6675859	RETAINER			3
4	7008929	FILTER, OIL HYD ASSY			1
4	7009365	FILTER, OIL HYD	replacement filter		x
5	7174807	ELBOW			2
5	79K6	O RING 10			x
6		TANK, HYD	NLA - 3.99" Side Height - Order 7236279 - Was 7170708	AB8B11001 - AB8B11149	1
6	7235836	TANK, HYD		AB8B11150 & Above	1
7	7191283	HOLDER			1
8	7191284	BRACKET, FILTER			1
9		HOSE, DRAIN	NLA - 210 mm (8.27") long - Order Ref. 33		1
10		HOSE, DRAIN	NLA - 593 mm (23.35") long - Order Ref. 33		1
11	29CM1020	SCREW HEX 10MMX20MM			2
12	29CM816	SCREW FLGD HEX CAP			2
13	33CM1020	BOLT			4
14	33CM820	BOLT			2
15	43DM10	NUT FLANGED HEX			4
16	43DM8	NUT FLANGED HEX			3
17	5HM16	CLAMP			4
18	6678669	STRAP			1
19	6678818	MOUNT			1
20	7209325	PUMP, HYD PISTON	See Illustration HYDRAULIC PISTON PUMP / NA6097		1
21	7175672	HOSE, HYD FORMED			1
22	7188917	INLET, PUMP			1
23	1EM100	WASHER PLAIN			2
24	33CM825	BOLT			1
25	3GM1030	SCREW			1
26	3GM1070	BOLT			1
27	42HL200	CLAMP LINED HOSE			2
28	58K222	O RING 10			1
29	6692836	CAP, HYDRAULIC TANK			1
29	79K20	O RING 10			x
30	7013179	FITTING			2
30	79K6	O RING 10			x
31	7013180	TUBE			1
32	7128723	SCREEN			1
33	6586251	HOSE, BULK	sold per foot		x
34	7174613	TEE			1

HYDRAULIC CIRCUITRY (Cont'd)

(Tank & Pump)



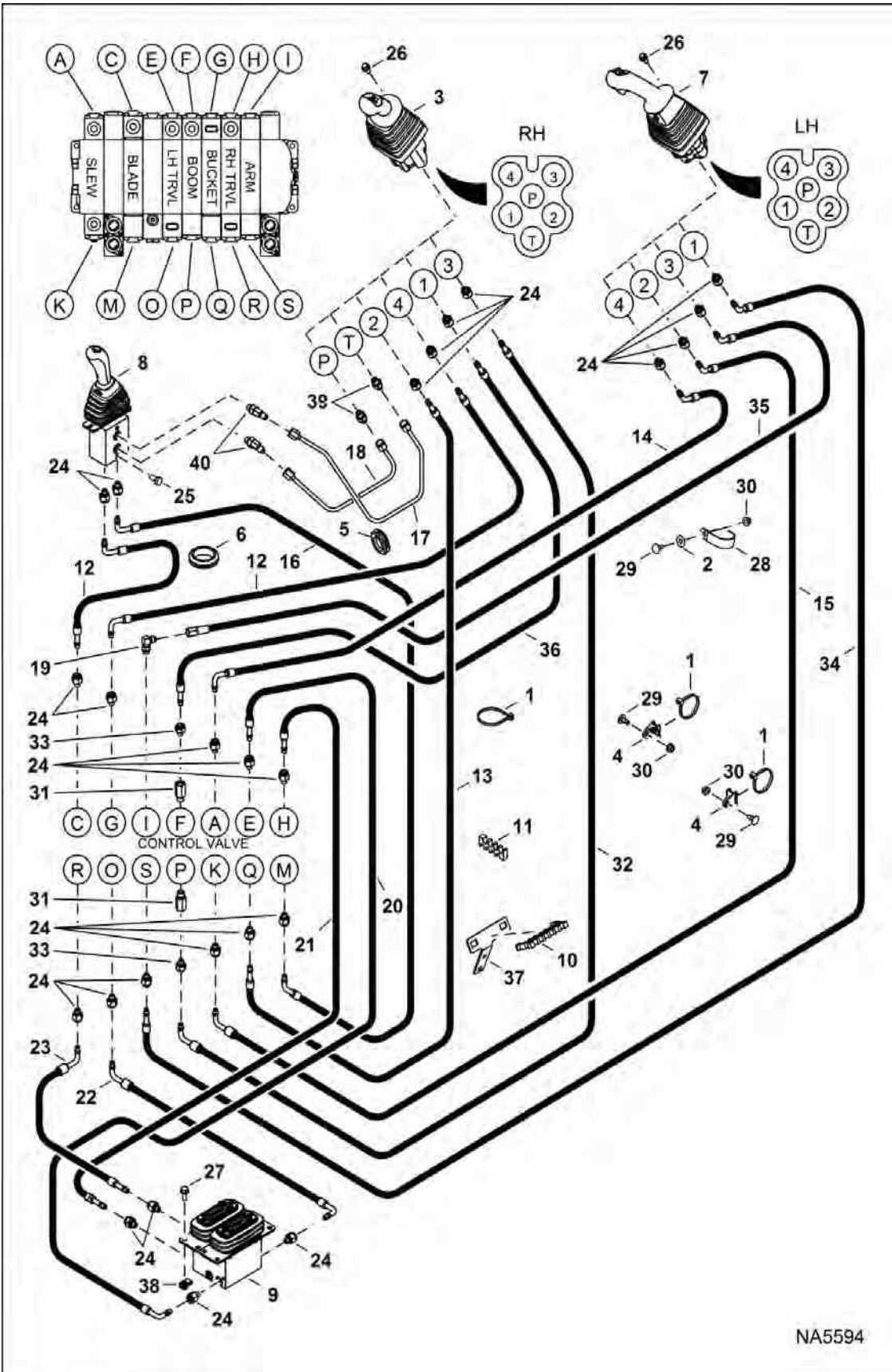
NA6848

HYDRAULIC CIRCUITRY (Cont'd)
(Tank & Pump)

Ref No	Part Number	Description	Remarks	Serial Number	Qty
35	7191282	FITTING, HYD TEE			1
35	79K16	O RING 10			x
36	24K6	FITTING			1
36	79K8	O RING 10			x
37	24K3	PLUG			1
37	79K4	O RING 10			x
38	24K5	PLUG			1
38	79K6	O RING 10			x
39	7219299	MOTOR, SLEW	See Illustration SLEW MOTOR / NA6828		1

HYDRAULIC CIRCUITRY

(Pilot W/O JPS)



NA5594

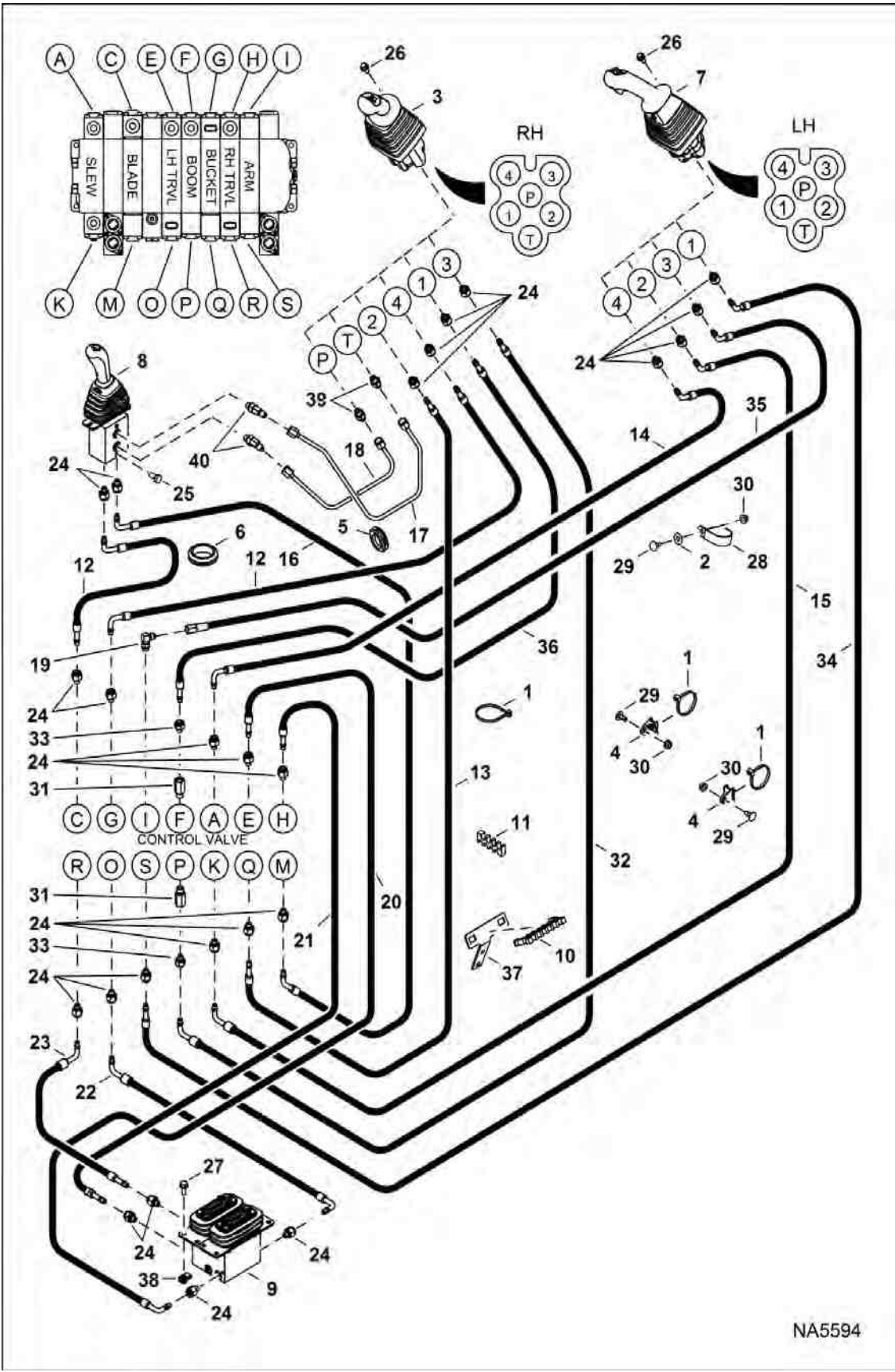
HYDRAULIC CIRCUITRY (Cont'd)

(Pilot W/O JPS)

Ref No	Part Number	Description	Remarks	Serial Number	Qty
1	6624289	STRAP, TIE			5
2	6675859	RETAINER			1
3		LEVER, JOYSTICK W/PWM	See Illustration RH JOYSTICK / MS1352 RH - Was 6677895 [A]	AB8B11001 - 11999	1
3	7220732	JOYSTICK, RH	See Illustration RH JOYSTICK / NA8064 RH	AB8B11001 - 11999	1
3	7024441	JOYSTICK, RH ASSY	See Illustration RH JOYSTICK / NA8317	AB8B12001 & Above	1
4	6678818	MOUNT			2
5	6681886	GROMMET			1
6	6806443	GROMMET			1
7		LEVER, JOYSTICK W/PWM	See Illustration LH JOYSTICK / NA2224 - LH - Was 7008320 [A]	AB8B11001 - 11999	1
7	7220733	JOYSTICK, LH	See Illustration LH JOYSTICK / NA8065 LH	AB8B11001 - 11999	1
7	7024440	JOYSTICK, LH ASSY	See Illustration LH JOYSTICK / NA8316	AB8B12001 & Above	1
8		BLADE, JOYSTICK	See Illustration BLADE JOYSTICK / NA6759 , See Illustration BLADE JOYSTICK / NA2308		1
9	7180565	VALVE, PEDAL DUAL	See Illustration TRAVEL CONTROLLER / NA2979		1
10	7188861	CLIP, HOSE			1
11	7188862	CLIP, HOSE			1
12	7196565	HOSE, HYD	1510 mm (59.45") long	AB8B11001 - AB8B12387	1
12	7196565	HOSE, HYD	1559 mm (61.41") long	AB8B12388 & Above	1
13	7196568	HOSE, HYD			1
14	7196574	HOSE, HYD			1
15	7196578	HOSE, HYD			1
16	7196583	HOSE, HYD			1
17	7196585	HOSE, HYD		AB8B11001 - AB8B11047	1
17	7191229	TUBELINE, HYD		AB8B11048 & Above	1
18	7196586	HOSE, HYD		AB8B11001 - AB8B11047	1
18	7191228	TUBELINE, HYD		AB8B11048 & Above	1
19	17KB0404	FITTING, HYD ELBOW			1
19	79K4	O RING 10			x
20	7202312	HOSE, HYD			1
21	7202313	HOSE, HYD			1
22	7202314	HOSE, HYD			1
23	7202315	HOSE, HYD			1
24	10L0604	FITTING, HYD CONNECTOR			20
24	78K4	O'RING			x
24	7011053	CLIP			x

HYDRAULIC CIRCUITRY (Cont'd)

(Pilot W/O JPS)

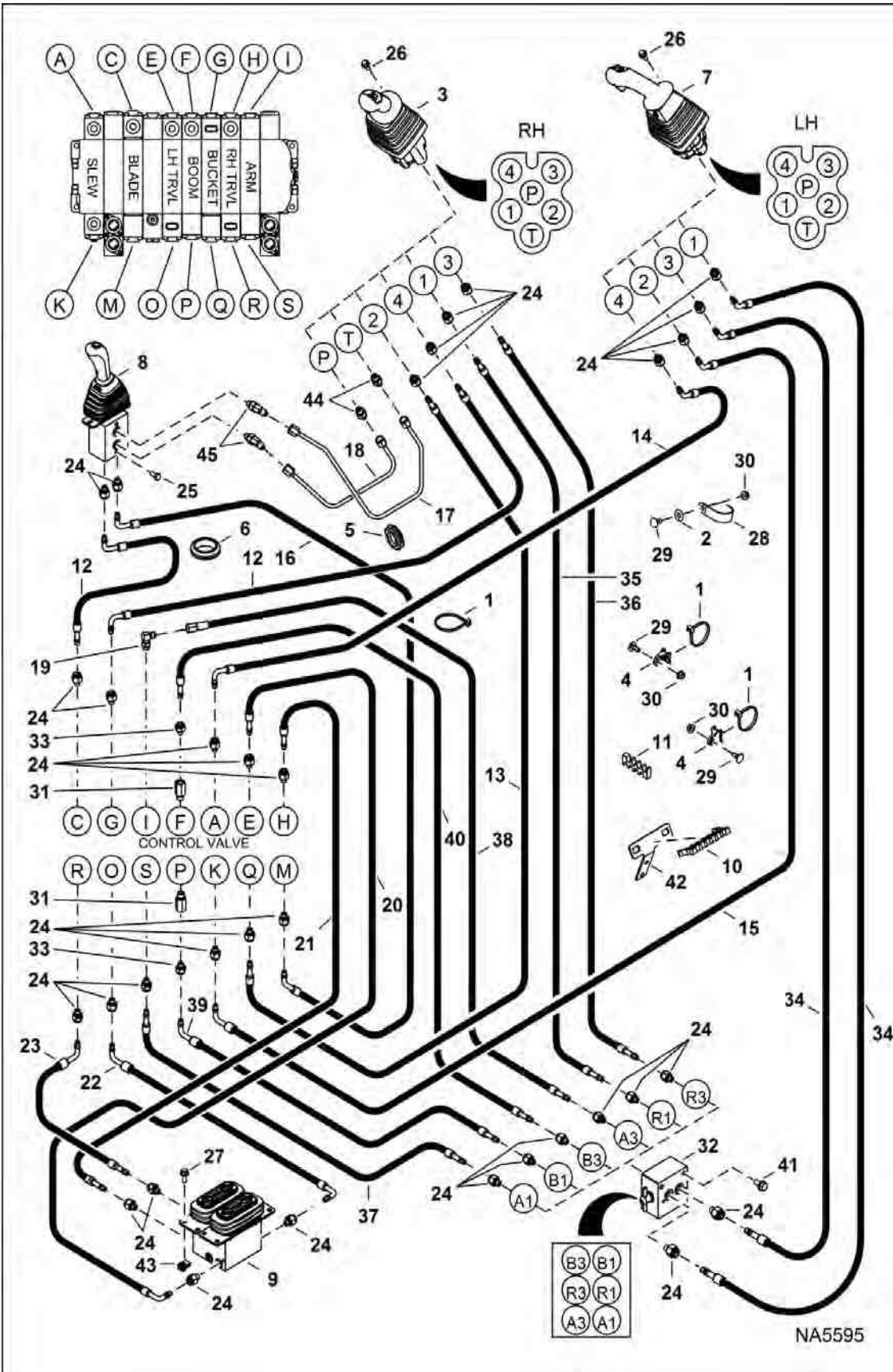


NA5594

HYDRAULIC CIRCUITRY (Cont'd)
(Pilot W/O JPS)

Ref No	Part Number	Description	Remarks	Serial Number	Qty
25	4CM816	SCREW HEX HD 8.8	Was 1CM816 [A]		2
26	26GM8020	SCREW SELF TAPPING			8
27	29CM820	SCREW FLNGE HEX CAP			4
28	30H85	CLAMP			1
29	33CM820	BOLT			3
30	43DM8	NUT FLANGED HEX			3
31	7012494	ORIFICE			2
31	79K6	O RING 10			x
32	7204093	HOSE, HYD			1
33	10L0606	FITTING, HYD CONNECTOR			2
33	78K6	O'RING			x
33	7011053	CLIP			x
34	7196575	HOSE, HYD			1
35	7198629	HOSE, HYD			1
36	7204089	HOSE, HYD			1
37	7192355	HOLDER	See Illustration HYDRAULIC CIRCUITRY / NA5590		1
38	6676169	NUT			4
39	10L0604	FITTING, HYD CONNECTOR		AB8B11001 - AB8B11047	2
39	15KB0404	FITTING, HYD CONNECTOR		AB8B11048 & Above	2
40	10L0604	FITTING, HYD CONNECTOR		AB8B11001 - AB8B11047	2
40	18KB0404	FITTING, HYD ELBOW		AB8B11048 & Above	2

HYDRAULIC CIRCUITRY (Pilot W/ JPS)



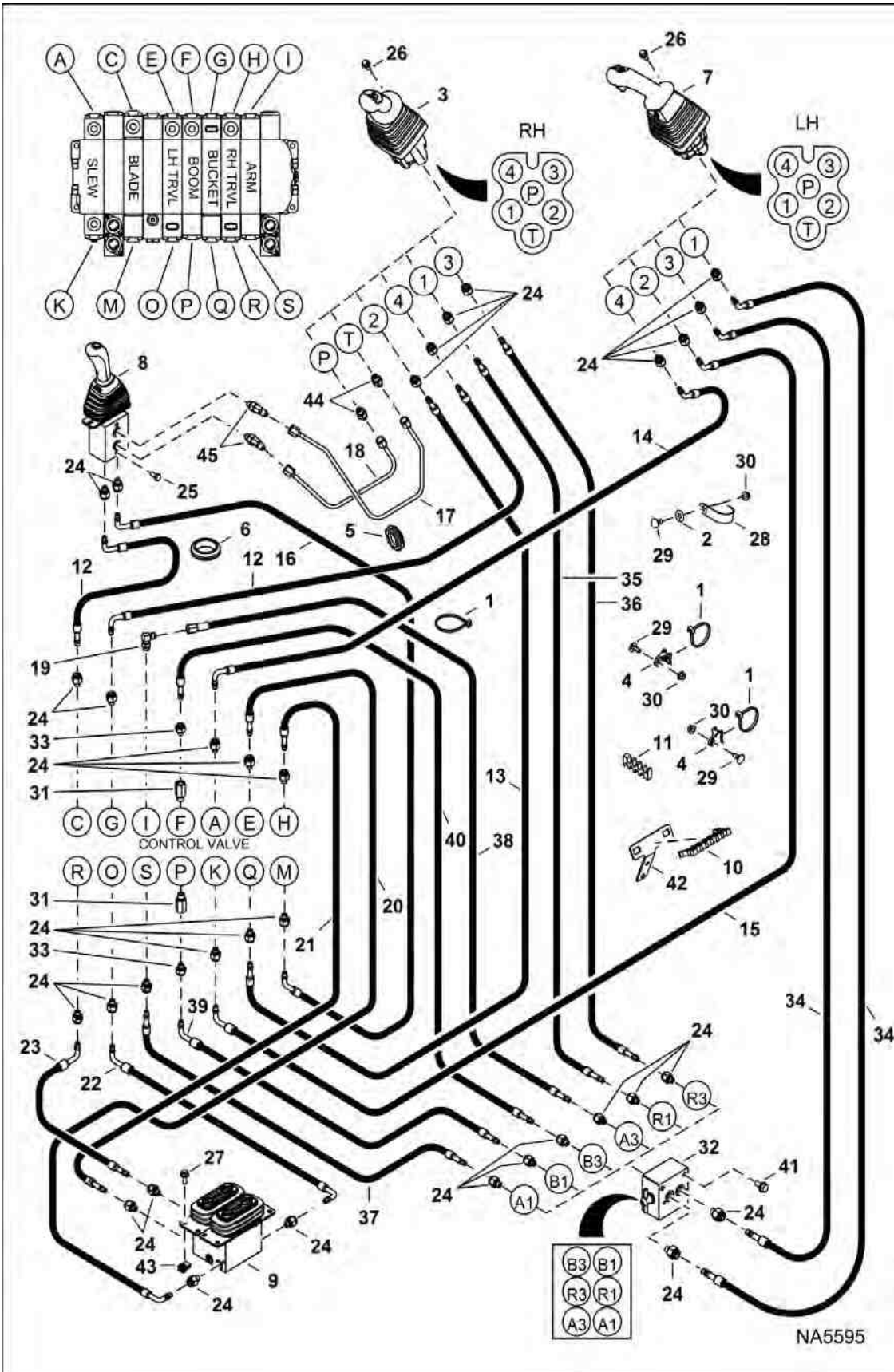
HYDRAULIC CIRCUITRY (Cont'd)

(Pilot W/ JPS)

Ref No	Part Number	Description	Remarks	Serial Number	Qty
1	6624289	STRAP, TIE			5
2	6675859	RETAINER			1
3		LEVER, JOYSTICK W/PWM	See Illustration RH JOYSTICK / MS1352 RH - Was 6677895 [A]	AB8B11001 - 11999	1
3	7220732	JOYSTICK, RH	See Illustration RH JOYSTICK / NA8064 RH	AB8B11001 - 11999	1
3	7024441	JOYSTICK, RH ASSY	See Illustration RH JOYSTICK / NA8317	AB8B12001 & Above	1
4	6678818	MOUNT			2
5	6681886	GROMMET			1
6	6806443	GROMMET			1
7		LEVER, JOYSTICK W/PWM	See Illustration LH JOYSTICK / NA2224 LH - Was 7008320 [A]	AB8B11001 - 11999	1
7	7220733	JOYSTICK, LH	See Illustration LH JOYSTICK / NA8065 LH	AB8B11001 - 11999	1
7	7024440	JOYSTICK, LH ASSY	See Illustration LH JOYSTICK / NA8316	AB8B12001 & Above	1
8		BLADE, JOYSTICK	See Illustration BLADE JOYSTICK / NA2308 , See Illustration BLADE JOYSTICK / NA6759		1
9	7180565	VALVE, PEDAL DUAL	See Illustration TRAVEL CONTROLLER / NA2979		1
10	7188861	CLIP, HOSE			1
11	7188862	CLIP, HOSE			1
12	7196565	HOSE, HYD	1510 mm (59.45") long	AB8B11001 - AB8B12387	1
12	7196565	HOSE, HYD	1559 mm (61.41") long	AB8B12388 & Above	1
13	7196568	HOSE, HYD			1
14	7196574	HOSE, HYD			1
15	7196578	HOSE, HYD			1
16	7196583	HOSE, HYD			1
17	7196585	HOSE, HYD		AB8B11001 - AB8B11047	1
17	7191229	TUBELINE, HYD		AB8B11048 & Above	1
18	7196586	HOSE, HYD		AB8B11001 - AB8B11047	1
18	7191228	TUBELINE, HYD		AB8B11048 & Above	1
19	17KB0404	FITTING, HYD ELBOW			1
19	79K4	O RING 10			x
20	7202312	HOSE, HYD			1
21	7202313	HOSE, HYD			1
22	7202314	HOSE, HYD			1
23	7202315	HOSE, HYD			1
24	10L0604	FITTING, HYD CONNECTOR			20
24	78K4	O'RING			x
25	4CM816	SCREW HEX HD 8.8	Was 1CM816 [A]		2

HYDRAULIC CIRCUITRY (Cont'd)

(Pilot W/ JPS)



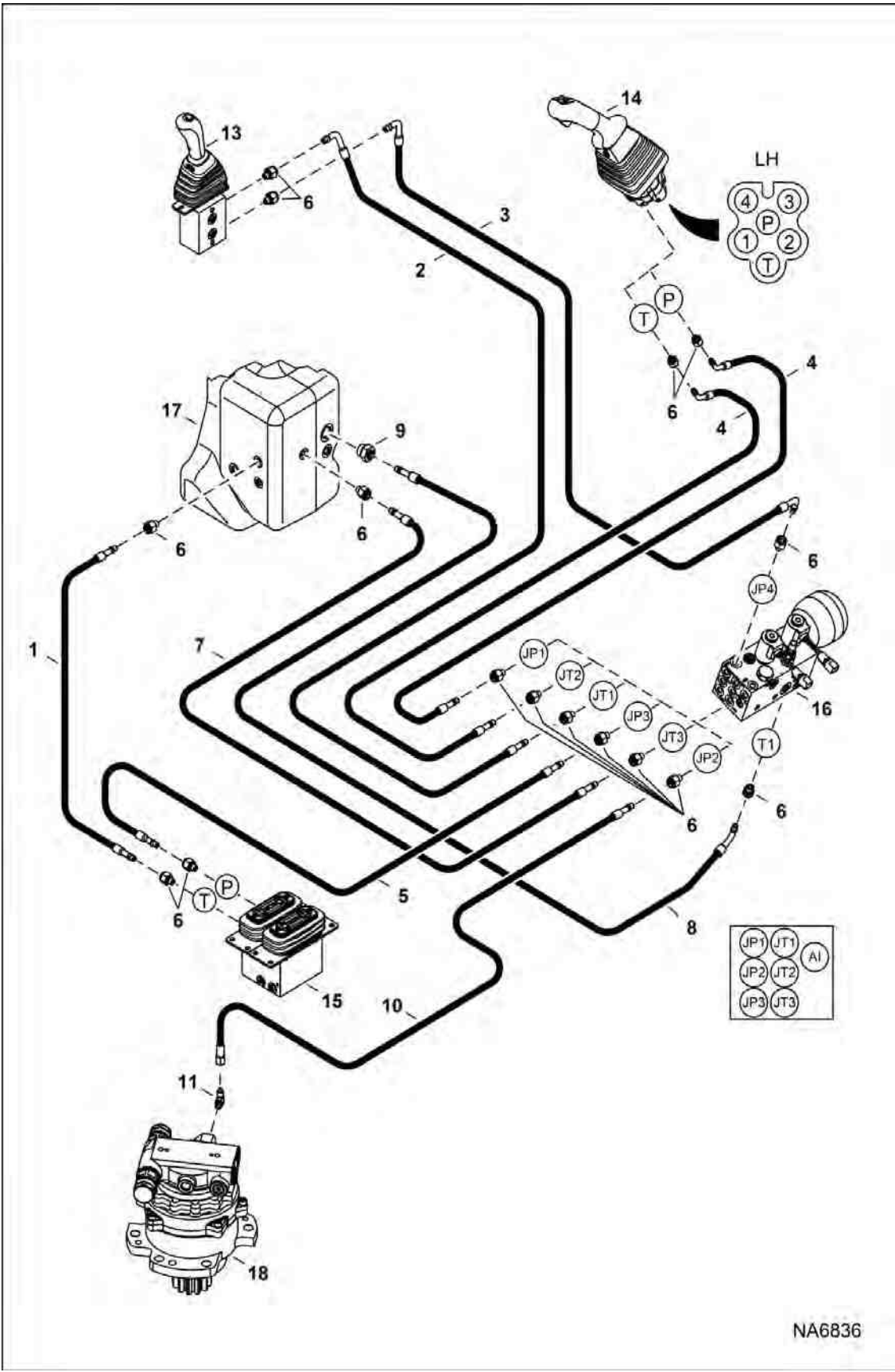
NA5595

HYDRAULIC CIRCUITRY (Cont'd)
(Pilot W/ JPS)

Ref No	Part Number	Description	Remarks	Serial Number	Qty
26	26GM8020	SCREW SELF TAPPING			8
27	29CM820	SCREW FLNGE HEX CAP			4
28	30H85	CLAMP			1
29	33CM820	BOLT			3
30	43DM8	NUT FLANGED HEX			3
31	7012494	ORIFICE			2
31	79K6	O RING 10			x
32	7193055	VALVE, JPS	See Illustration SELECTOR VALVE ASSY / NA2118		1
33	10L0606	FITTING, HYD CONNECTOR			2
33	78K6	O'RING			x
33	7011053	CLIP			x
34	7198641	HOSE, HYD			1
35	7198644	HOSE, HYD	Was 7198643		1
36	7198644	HOSE, HYD			1
37	7198645	HOSE, HYD			1
38	7198646	HOSE, HYD			1
39	7204094	HOSE, HYD			1
40	7204095	HOSE, HYD			1
41	29CM816	SCREW FLGD HEX CAP			2
42	7192355	HOLDER	See Illustration HYDRAULIC CIRCUITRY / NA5590		1
43	6676169	NUT			4
44	10L0604	FITTING, HYD CONNECTOR		AB8B11001 - AB8B11047	2
44	15KB0404	FITTING, HYD CONNECTOR		AB8B11048 & Above	2
45	10L0604	FITTING, HYD CONNECTOR		AB8B11001 - AB8B11047	2
45	18KB0404	FITTING, HYD ELBOW		AB8B11048 & Above	2

HYDRAULIC CIRCUITRY

(Pilot W/O and W/ JPS)

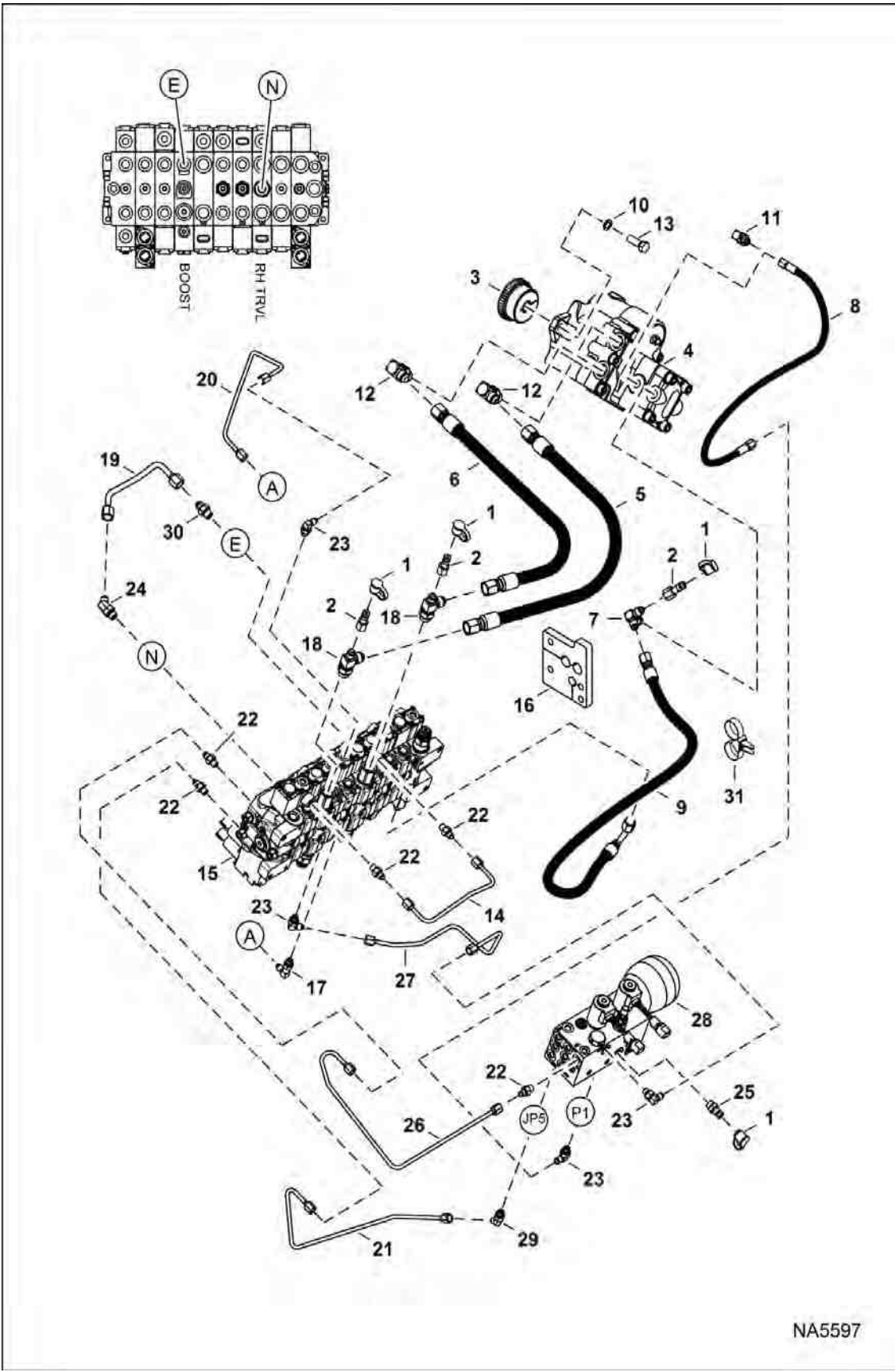


NA6836

HYDRAULIC CIRCUITRY (Cont'd)
(Pilot W/O and W/ JPS)

Ref No	Part Number	Description	Remarks	Serial Number	Qty
1	7196580	HOSE, HYD			1
2	7196581	HOSE, HYD			1
3	7196582	HOSE, HYD			1
4	7198633	HOSE, HYD			2
5	7202316	HOSE, HYD			1
6	10L0604	FITTING, HYD CONNECTOR			16
6	78K4	O'RING			x
6	7011053	CLIP			x
7	7201281	HOSE, HYD			1
8	7201282	HOSE, HYD			1
9	10L0610	FITTING, HYD CONNECTOR			1
9	78K4	O'RING			x
9	7011053	CLIP			x
10	7202286	HOSE, HYD			1
11	17KB0404	FITTING, HYD ELBOW	See Illustration LH JOYSTICK / NA2224		1
11	79K4	O RING 10			x
11		TEE	See Illustration SECONDARY AUXILIARY KIT / NA6846 W/second aux		1
12		BLADE, JOYSTICK	See Illustration BLADE JOYSTICK / NA6759 , See Illustration BLADE JOYSTICK / NA2308		1
13		LEVER, JOYSTICK W/PWM	See Illustration LH JOYSTICK / NA2224 - LH - Was 7008320 [A]	AB8B11001 - 11999	1
13	7220733	JOYSTICK, LH	See Illustration LH JOYSTICK / NA8065 LH	AB8B11001 - 11999	1
13	7024440	JOYSTICK, LH ASSY	See Illustration LH JOYSTICK / NA8316	AB8B12001 & Above	1
14	7180565	VALVE, PEDAL DUAL	See Illustration TRAVEL CONTROLLER / NA2979		1
15	7204476	MANIFOLD, HYD ASSY	See Illustration MANIFOLD ASSY / NA6098		1
16		TANK, HYD	See Illustration HYDRAULIC CIRCUITRY / NA6848		1
17	7219299	MOTOR, SLEW	See Illustration SLEW MOTOR / NA6828		1

HYDRAULIC CIRCUITRY
 (Manifold & Pump)
 (S/N AB8B11001 - AB8B12280)



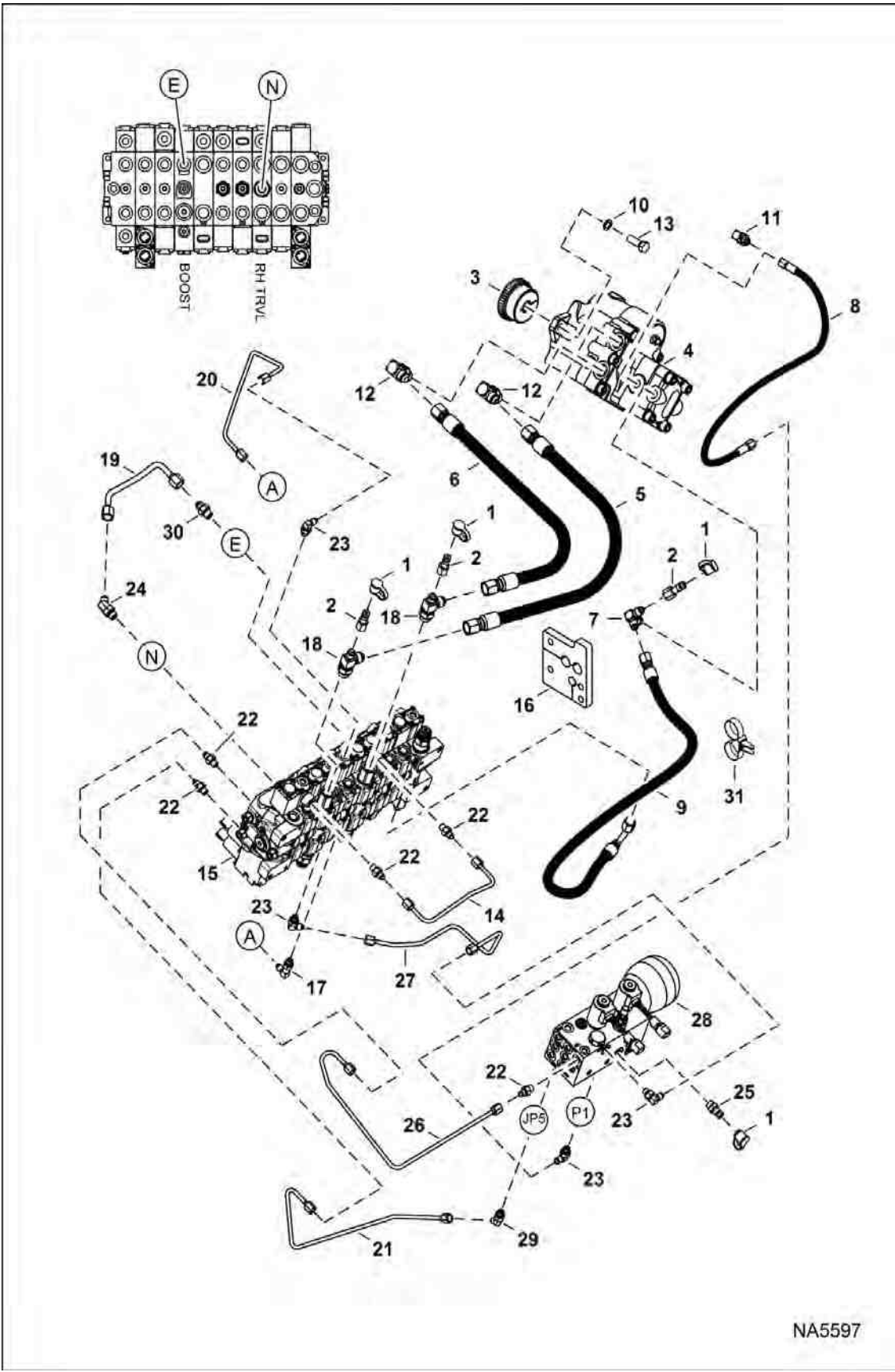
NA5597

HYDRAULIC CIRCUITRY (Cont'd)

(Manifold & Pump)
(S/N AB8B11001 - AB8B12280)

Ref No	Part Number	Description	Remarks	Serial Number	Qty
1	6630367	CAP			4
2	6661753	PLUG			4
3	6676535	COUPLER, HUB			1
4		PUMP, HYD PISTON	See Illustration HYDRAULIC PISTON PUMP / NA6097		1
5	7190914	HOSE, HYD			1
6	7190916	HOSE, HYD			1
7	6725182	TEE	Was 7192313 [A]		1
7	79K6	O RING 10			x
8	7200897	HOSE, HYD			1
9	7204395	HOSE, HYD			1
10	15EM120	WASHER			2
11	17KB0406	FITTING, HYD ELBOW			1
11	79K6	O RING 10			x
12	17KB0810	FITTING, HYD ELBOW			2
12	79K10	O RING 10			x
13	55CM1235	BOLT			2
14	7173477	TUBELINE, HYD			1
15		VALVE, CONTROL	See Illustration HYDRAULIC CONTROL VALVE / NA6140		1
16	7188872	SEAL, HOSE			1
17	7188886	FITTING, HYD ELBOW			1
17	79K4	O RING 10			x
18	7196932	FITTING, HYD TEE			2
18	79K8	O RING 10			x
19	7204057	TUBELINE, HYD			1
20	7204258	TUBELINE, HYD			1
21	7204767	TUBELINE, HYD			1
22	15KB0404	FITTING, HYD CONNECTOR			5
22	79K4	O RING 10			x
23	17KB0404	FITTING, HYD ELBOW			4
23	79K4	O RING 10			x
24	18KB0606	FITTING, HYD ELBOW			1
24	79K6	O RING 10			x
25	6630168	COUPLER, DIAGNOSTIC			1
25	79K6	O RING 10			x
26	7188857	TUBELINE, HYD			1
27	7188858	TUBELINE, HYD			1
28		MANIFOLD, HYD ASSY	See Illustration MANIFOLD ASSY / NA6098		1
29	18KB0404	FITTING, HYD ELBOW			1
29	79K4	O RING 10			x

HYDRAULIC CIRCUITRY (Cont'd)
 (Manifold & Pump)
 (S/N AB8B11001 - AB8B12280)



NA5597

HYDRAULIC CIRCUITRY (Cont'd)

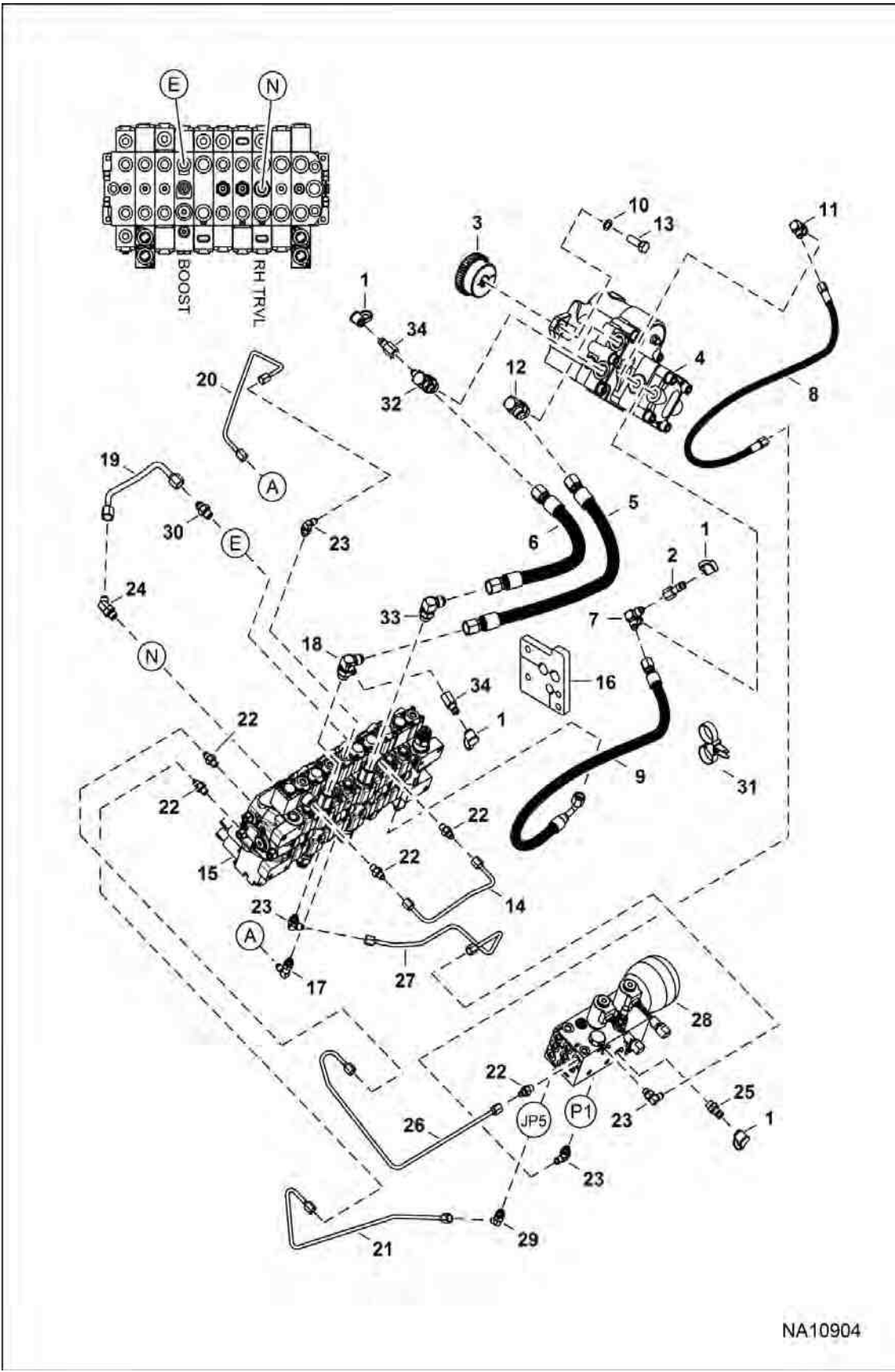
(Manifold & Pump)

(S/N AB8B11001 - AB8B12280)

Ref No	Part Number	Description	Remarks	Serial Number	Qty
30	15KB0606	FITTING, HYD CONNECTOR			1
30	79K6	O RING 10			x
31	6678668	STRAP			1

HYDRAULIC CIRCUITRY

(Manifold & Pump)
(S/N AB8B12281 & Above)



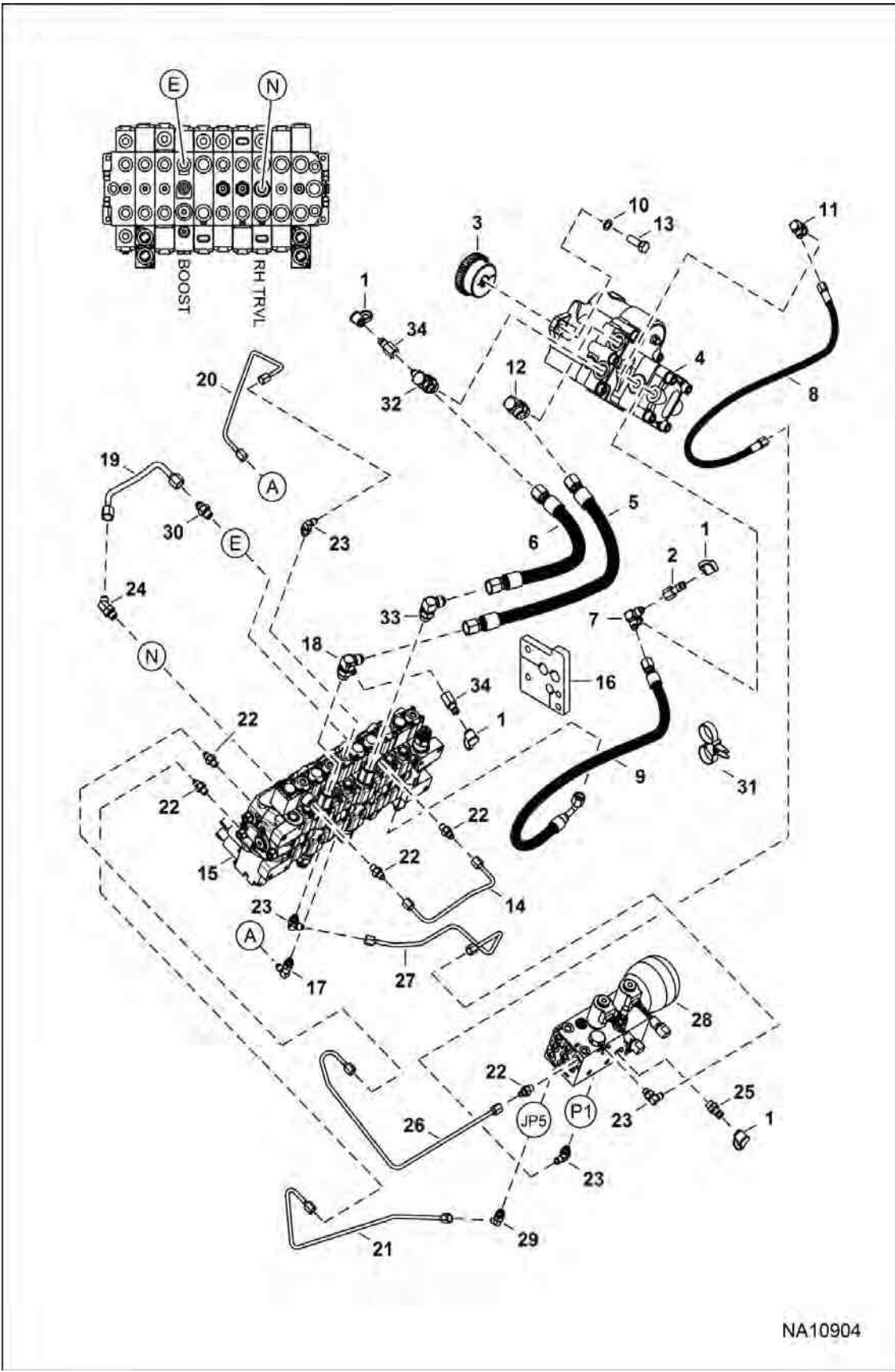
NA10904

HYDRAULIC CIRCUITRY (Cont'd)

(Manifold & Pump)
(S/N AB8B12281 & Above)

Ref No	Part Number	Description	Remarks	Serial Number	Qty
1	6630367	CAP			4
2	6661753	PLUG			4
3	6676535	COUPLER, HUB			1
4		PUMP, HYD PISTON			1
5	7190914	HOSE, HYD			1
6	7190916	HOSE, HYD			1
7	6725182	TEE			1
7	79K6	O RING 10			x
8	7200897	HOSE, HYD			1
9	7204395	HOSE, HYD			1
10	15EM120	WASHER			2
11	17KB0406	FITTING, HYD ELBOW			1
11	79K6	O RING 10			x
12	17KB0810	FITTING, HYD ELBOW			2
12	79K10	O RING 10			x
13	55CM1235	BOLT			2
14	7173477	TUBELINE, HYD			1
15		VALVE, CONTROL	See Illustration HYDRAULIC CONTROL VALVE / NA6140		1
16	7188872	SEAL, HOSE			1
17	7188886	FITTING, HYD ELBOW			1
17	79K4	O RING 10			x
18	7156069	TEE			1
18	79K8	O RING 10			x
19	7204057	TUBELINE, HYD			1
20	7204258	TUBELINE, HYD			1
21	7204767	TUBELINE, HYD			1
22	15KB0404	FITTING, HYD CONNECTOR			5
22	79K4	O RING 10			x
23	17KB0404	FITTING, HYD ELBOW			4
23	79K4	O RING 10			x
24	18KB0606	FITTING, HYD ELBOW			1
24	79K6	O RING 10			x
25	6630168	COUPLER, DIAGNOSTIC			1
25	79K6	O RING 10			x
26	7188857	TUBELINE, HYD			1
27	7188858	TUBELINE, HYD			1
28		MANIFOLD, HYD ASSY	See Illustration MANIFOLD ASSY / NA6098		1
29	18KB0404	FITTING, HYD ELBOW			1
29	79K4	O RING 10			x

HYDRAULIC CIRCUITRY (Cont'd)
 (Manifold & Pump)
 (S/N AB8B12281 & Above)



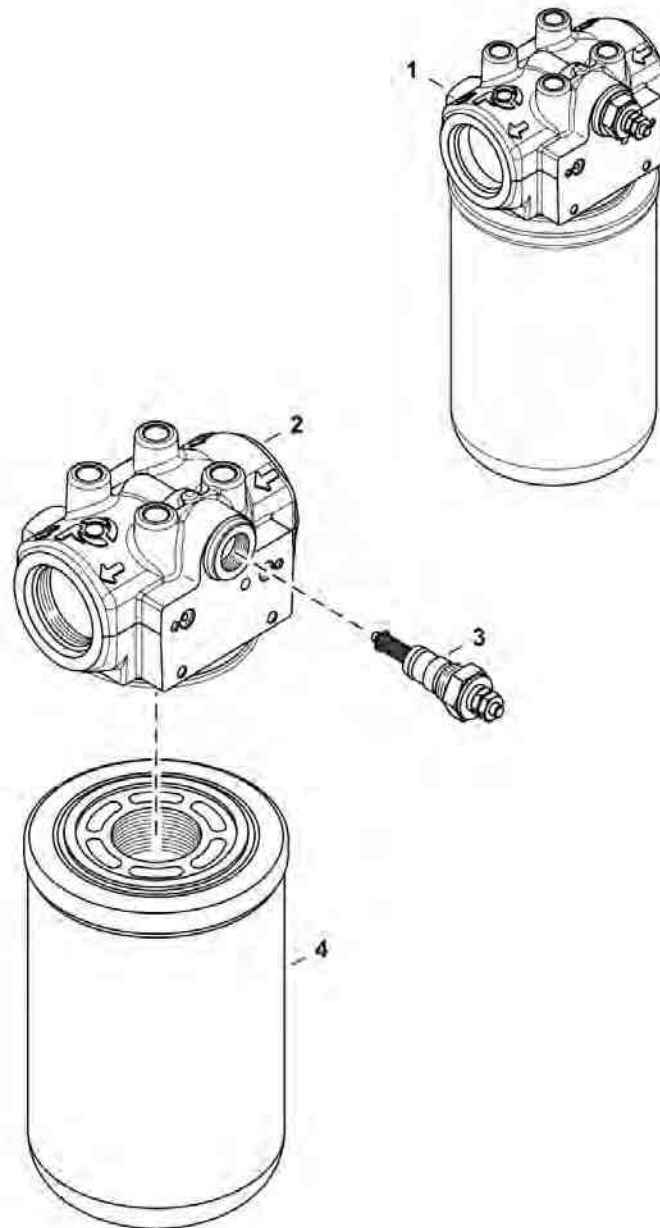
NA10904

HYDRAULIC CIRCUITRY (Cont'd)

(Manifold & Pump)
(S/N AB8B12281 & Above)

Ref No	Part Number	Description	Remarks	Serial Number	Qty
30	15KB0606	FITTING, HYD CONNECTOR			1
30	79K6	O RING 10			x
31	6678668	STRAP			1
32	7277426	FITTING, HYD TEE			1
33	17KB0808	FITTING, HYD ELBOW			1
34	7000009	PLUG			2

HYDRAULIC OIL FILTER

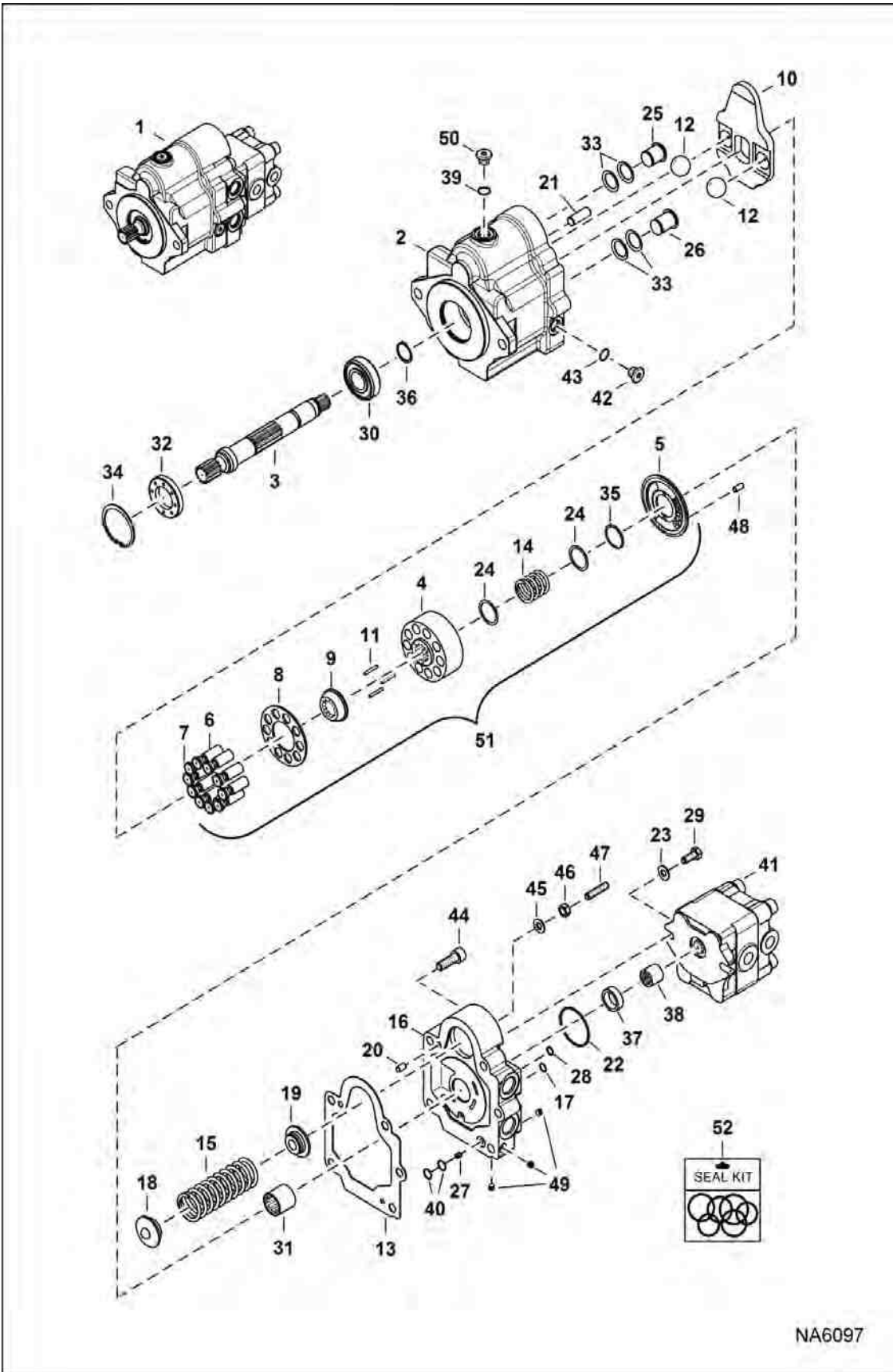


NA6101

HYDRAULIC OIL FILTER (Cont'd)

Ref No	Part Number	Description	Remarks	Serial Number	Qty
1	7188836	FILTER, OIL HYD ASSY	Ref. 2-4		1
2		HEAD	NSS - Order Ref. 1		1
3	6660260	SWITCH, PRESS OIL HYD			1
3	6599365	KIT	nut, washers, and O-rings		1
4	6661248	FILTER, OIL HYD 12	#3 media - 152,4 mm (6") long		1

HYDRAULIC PISTON PUMP

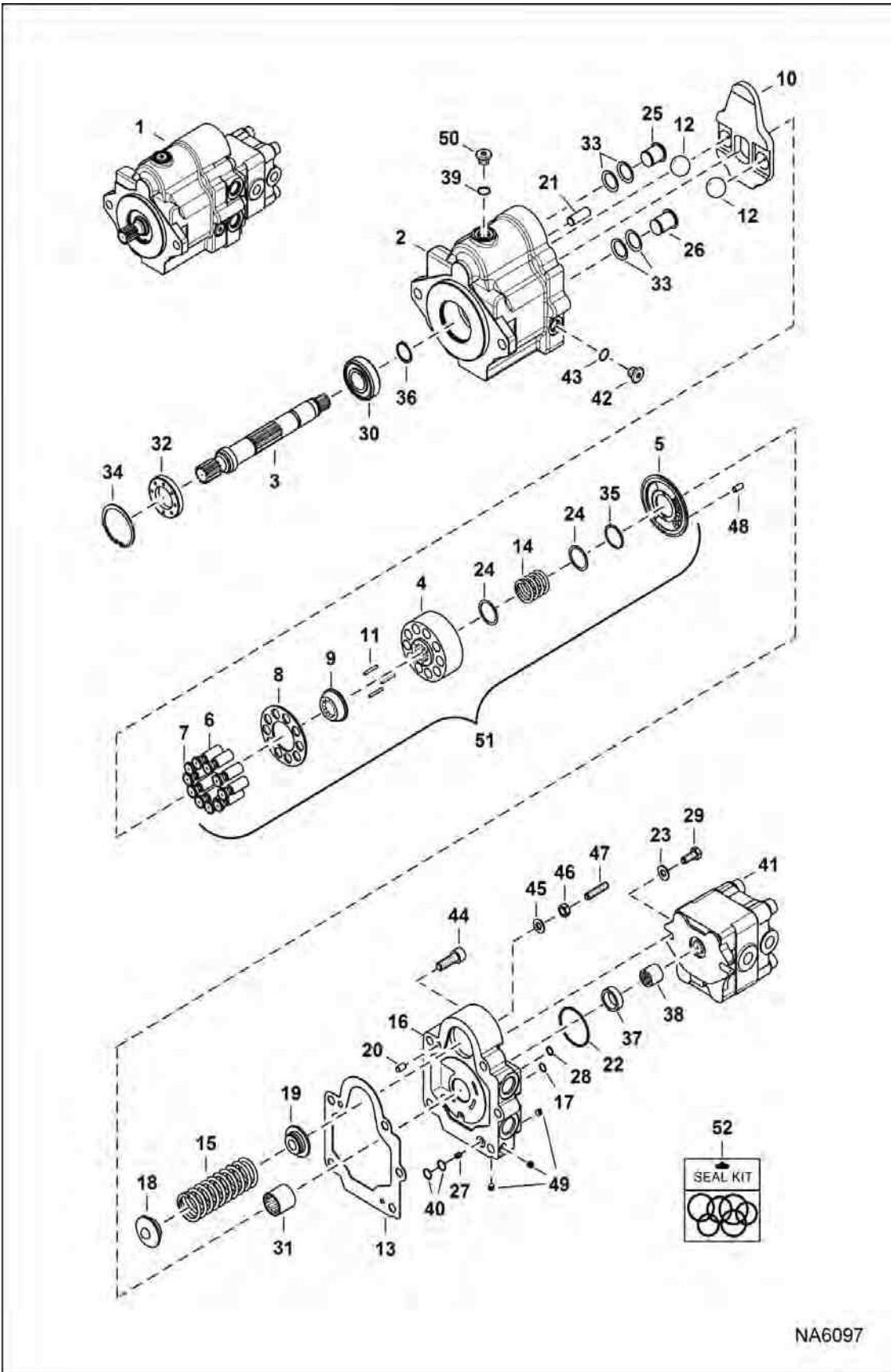


NA6097

HYDRAULIC PISTON PUMP (Cont'd)

Ref No	Part Number	Description	Remarks	Serial Number	Qty
1	7209325	PUMP, HYD PISTON	Ref. 2-50		1
2		HOUSING	NSS		1
3		SHAFT	NSS		1
4		BARREL, CYLINDER	NSS		1
5		PLATE, VALVE	NSS		1
6		PISTON	NSS		10
7		SHOE	NSS		10
8		HOLDER, SHOE	NSS		1
9		HOLDER, BARREL	NSS		1
10		SWASHPLATE	NSS		1
11		NEEDLE	NSS		3
12		BALL	NSS		2
13		GASKET	NSS		1
14		SPRING	NSS		1
15		SPRING	NSS		1
16		HOUSING	NSS		1
17		O-RING	NSS		1
18		HOLDER, SPRING	NSS		1
19		GUIDE, SPRING	NSS		1
20		PIN	NSS		1
21		PIN	NSS		1
22		O-RING	NSS		1
23		WASHER	NSS		1
24		RETAINER	NSS		2
25		PIN, STOPPER	NSS		1
26		PIN, STOPPER	NSS		1
27		PIN	NSS		1
28		O-RING	NSS		1
29		SCREW	NSS		2
30		BEARING, BALL	NSS		1
31		BEARING, NEEDLE	NSS		1
32		SEAL, OIL	NSS		1
33		SPRING, DISH	NSS		4
34		RING, SNAP	NSS		1
35		RING, SNAP	NSS		1
36		RING, SNAP	NSS		1
37		COLLAR	NSS		1
38		COUPLING	NSS		1
39		O-RING	NSS		1
40		O-RING	NSS		2
41	7023324	PUMP, GEAR			1
42		PLUG	NSS		1
43		O-RING	NSS		1
44		SCREW	NSS		5
45		WASHER	NSS		1
46		NUT	NSS		1
47		SCREW	NSS		1

HYDRAULIC PISTON PUMP (Cont'd)

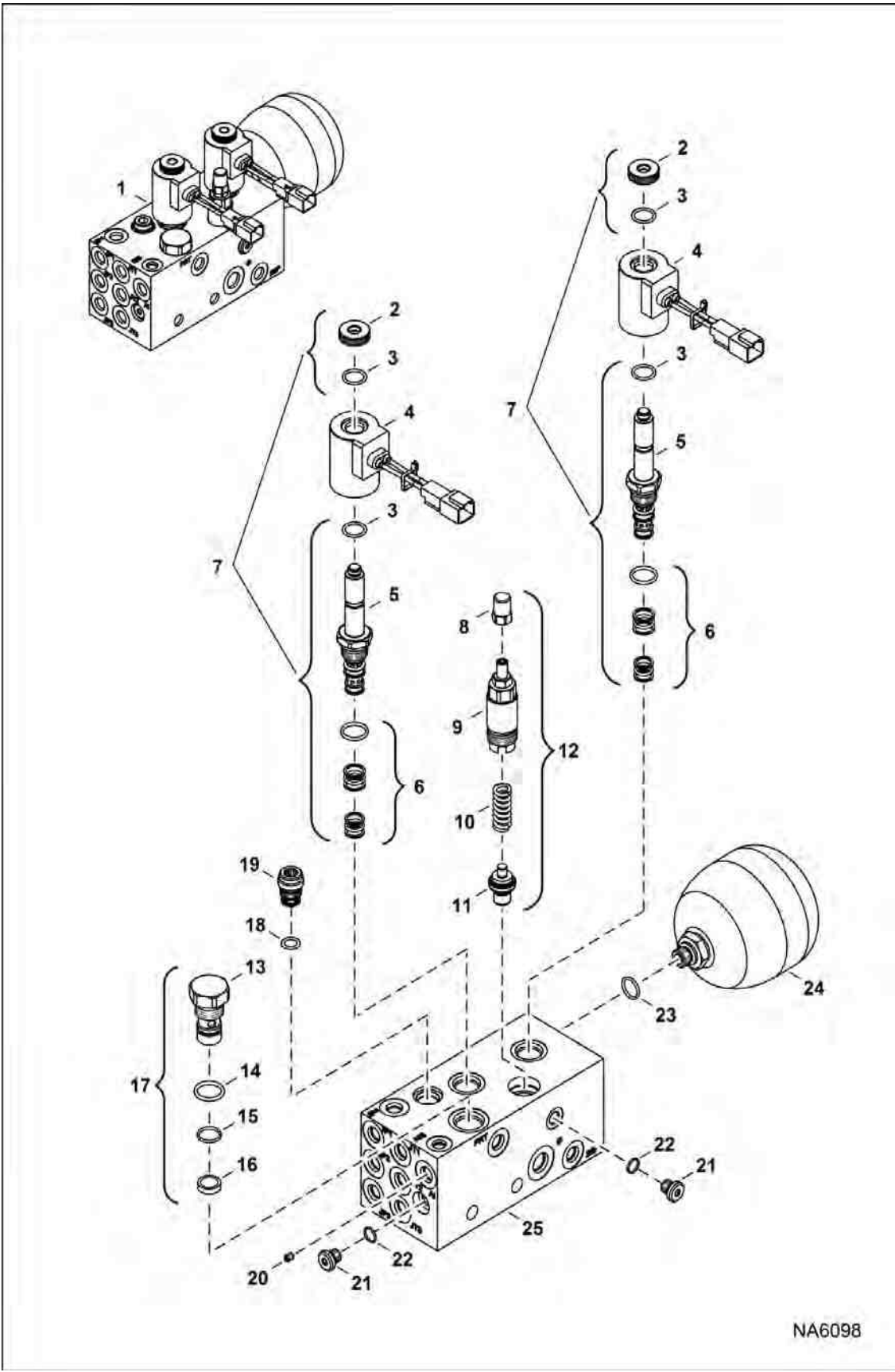


NA6097

HYDRAULIC PISTON PUMP (Cont'd)

Ref No	Part Number	Description	Remarks	Serial Number	Qty
48		PIN, SPRING	NSS		1
49		PLUG	NSS		5
50		PLUG	NSS		1
51	6688089	KIT			1
52	6688091	KIT	Ref. 13, 17, 22, 28, 32, 39, 40, 43, 45		1

MANIFOLD ASSY

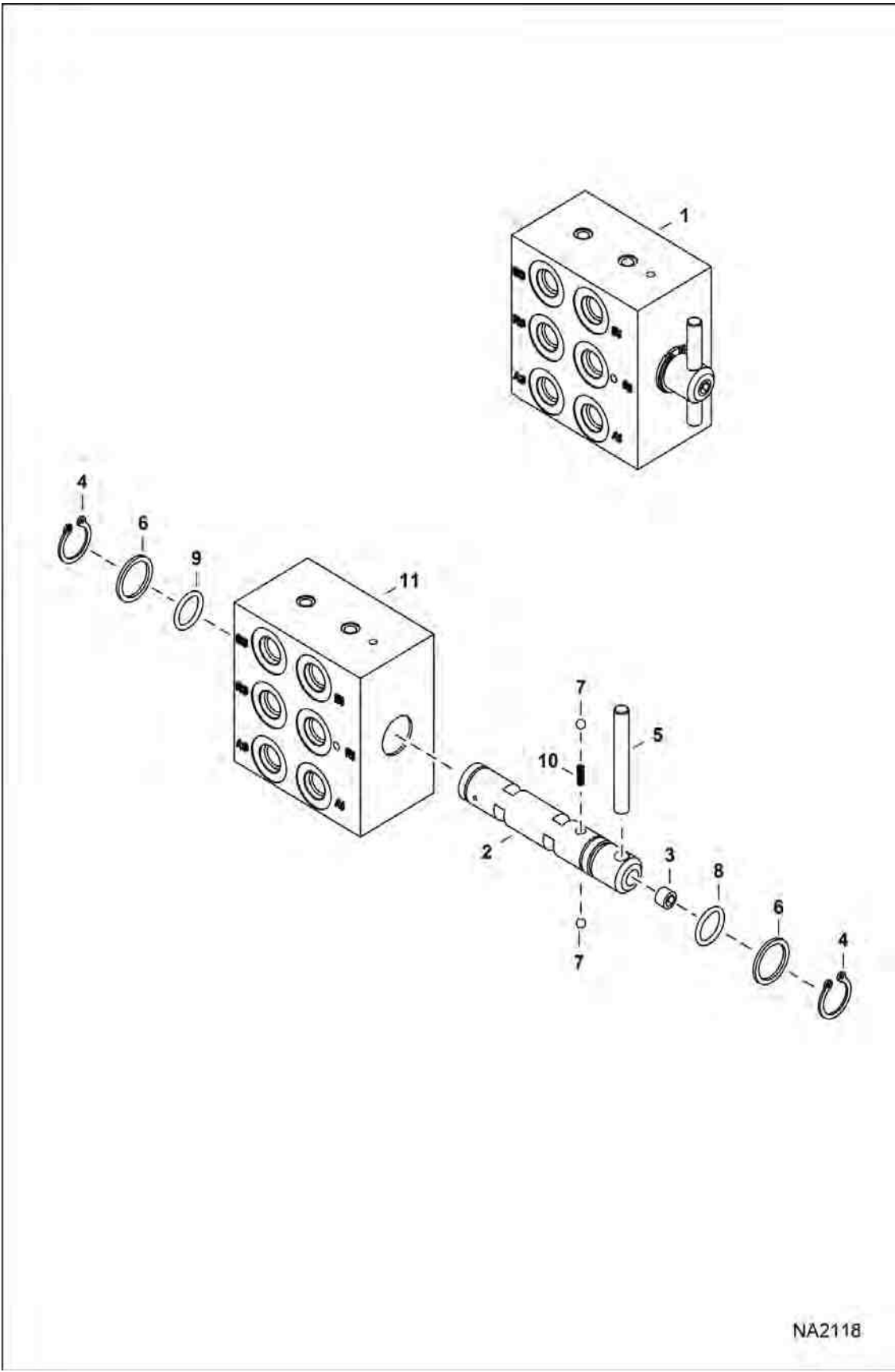


NA6098

MANIFOLD ASSY (Cont'd)

Ref No	Part Number	Description	Remarks	Serial Number	Qty
1	7204476	MANIFOLD, HYD ASSY	Ref. 2-25		1
2	6679076	NUT			2
3		SEAL	NLA - Was 6679603		4
4	7010625	COIL, SOLENOID			2
5		STEM	NSS		2
6	6679078	KIT, SEAL			2
7	6678988	ASSY, VALVE	does not include Ref. 4		2
8		NUT	NSS		1
9		VALVE	NSS		1
10		SPRING	NSS		1
11		STEM	NSS		1
12	7010629	VALVE, RELIEF			1
13		PLUG	NSS		1
14		O-RING	NLA - Was 6679693		1
15		SEAL	NLA - Was 6679603		1
16		COLLAR	NSS		1
17	7022942	PLUG			1
18	7010628	O-RING			1
19	6678990	VALVE, CHECK	W/Ref. 18		1
20	7022943	ORIFICE			1
21	6678993	PLUG	W/Ref. 22		2
22		O-RING	NSS		2
23	79K6	O RING 10			1
24	6669537	ACCUMULATOR			1
25		BLOCK	NSS		1

SELECTOR VALVE ASSY
(JPS) (ISO/STD)

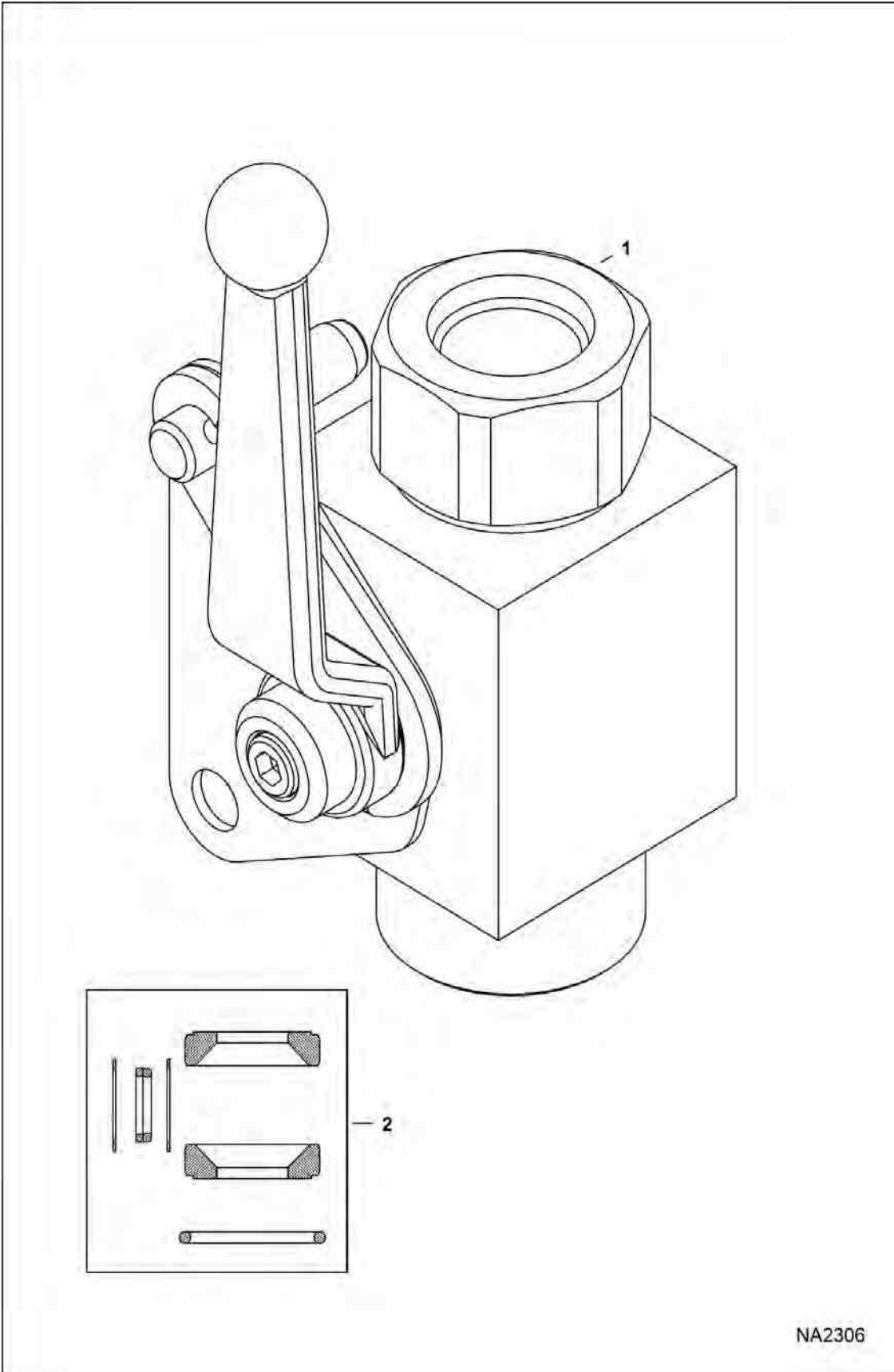


NA2118

SELECTOR VALVE ASSY (Cont'd)
(JPS) (ISO/STD)

Ref No	Part Number	Description	Remarks	Serial Number	Qty
1	7193055	VALVE, JPS	Ref. 2-11		1
2	7022690	SPOOL			1
3	7010037	SCREW			4
4	7009345	RING, SNAP			2
5	7010035	HANDLE			1
6	7010036	WASHER			2
7	7009348	BALL, 3/16 DIA			2
8	7009349	O-RING			1
9	6679499	O-RING			1
10	7009350	SPRING, SPOOL			1
11		BLOCK	NSS - Order Ref. 1		1

SELECTOR VALVE ASSY
(Direct to Tank)

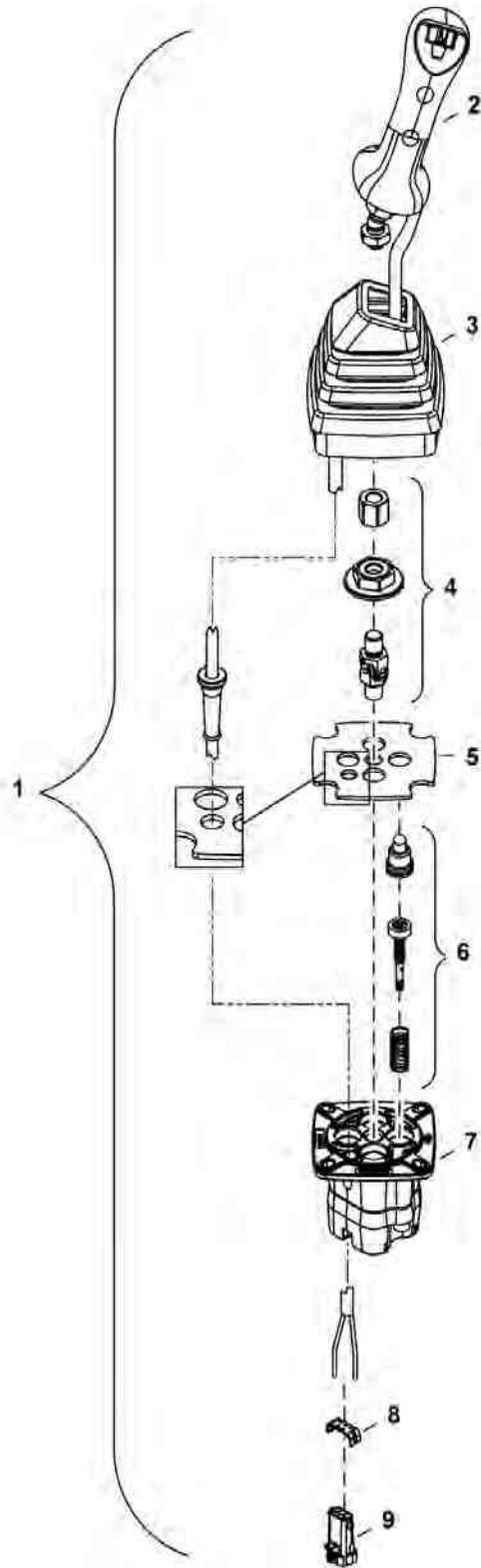


NA2306

SELECTOR VALVE ASSY (Cont'd)
(Direct to Tank)

Ref No	Part Number	Description	Remarks	Serial Number	Qty
1	6693507	VALVE, BALL			1
2	7012201	KIT, SEAL			1

LH JOYSTICK
(S/N AB8B11001 - AB8B11080)

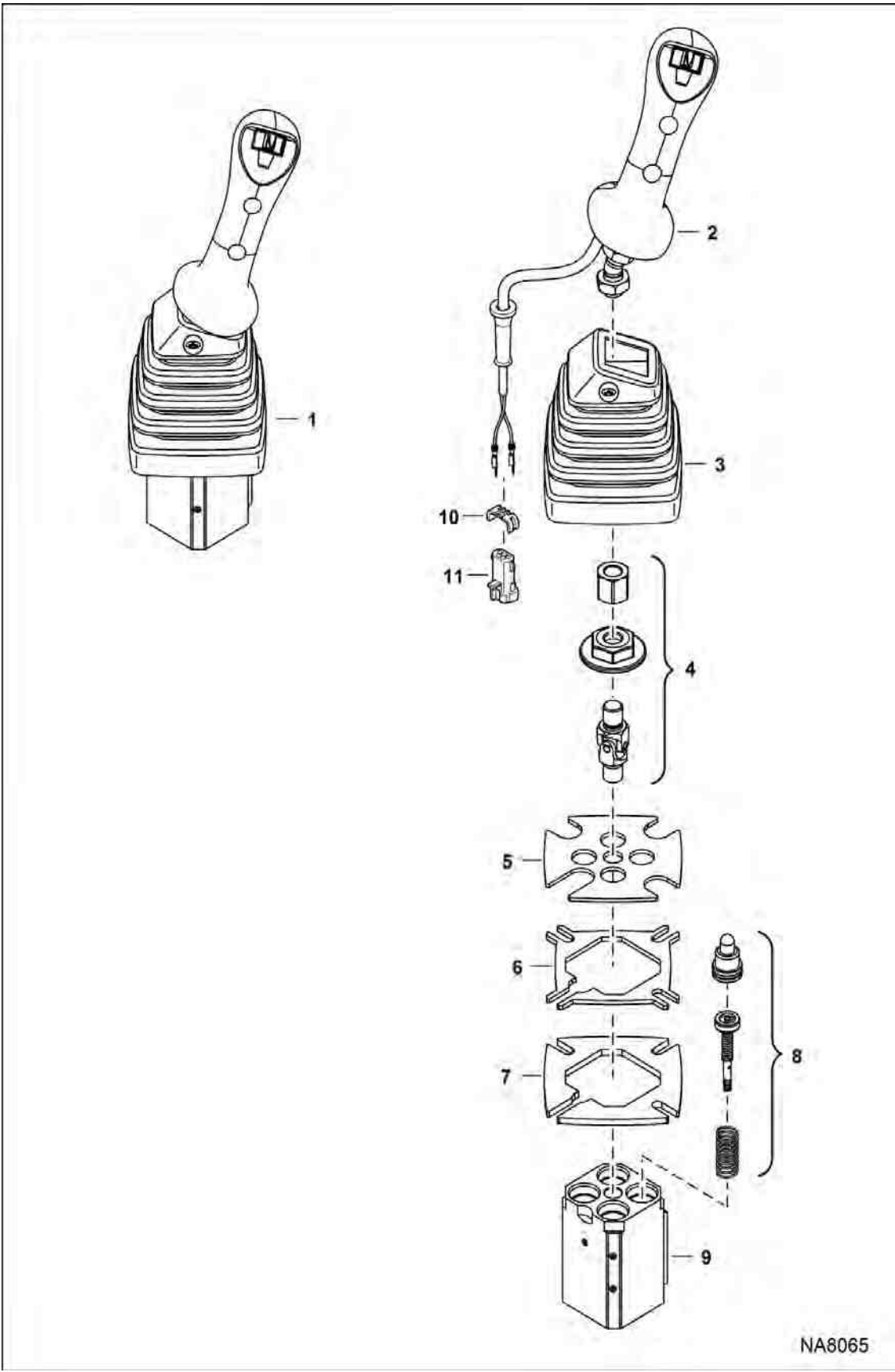


NA2224

LH JOYSTICK (Cont'd)
(S/N AB8B11001 - AB8B11080)

Ref No	Part Number	Description	Remarks	Serial Number	Qty
1		LEVER, JOYSTICK W/PWM	See Illustration LH JOYSTICK / NA8065 NLA - Ref. 2-9 - LH - Was 7008320 [A]		1
2	7010197	HANDLE, JOYSTICK			1
3	6692548	BOOT			1
4	6679956	JOINT KIT			1
5		FLANGE	NSS - Order Ref. 7		1
6	6692549	KIT, PLUNGER			4
7	6684714	HOUSING	W/Ref. 5		1
8	6679958	LOCK			1
9	6679960	CONNECTOR			1

LH JOYSTICK
(S/N AB8B11081 - AB8B11999)

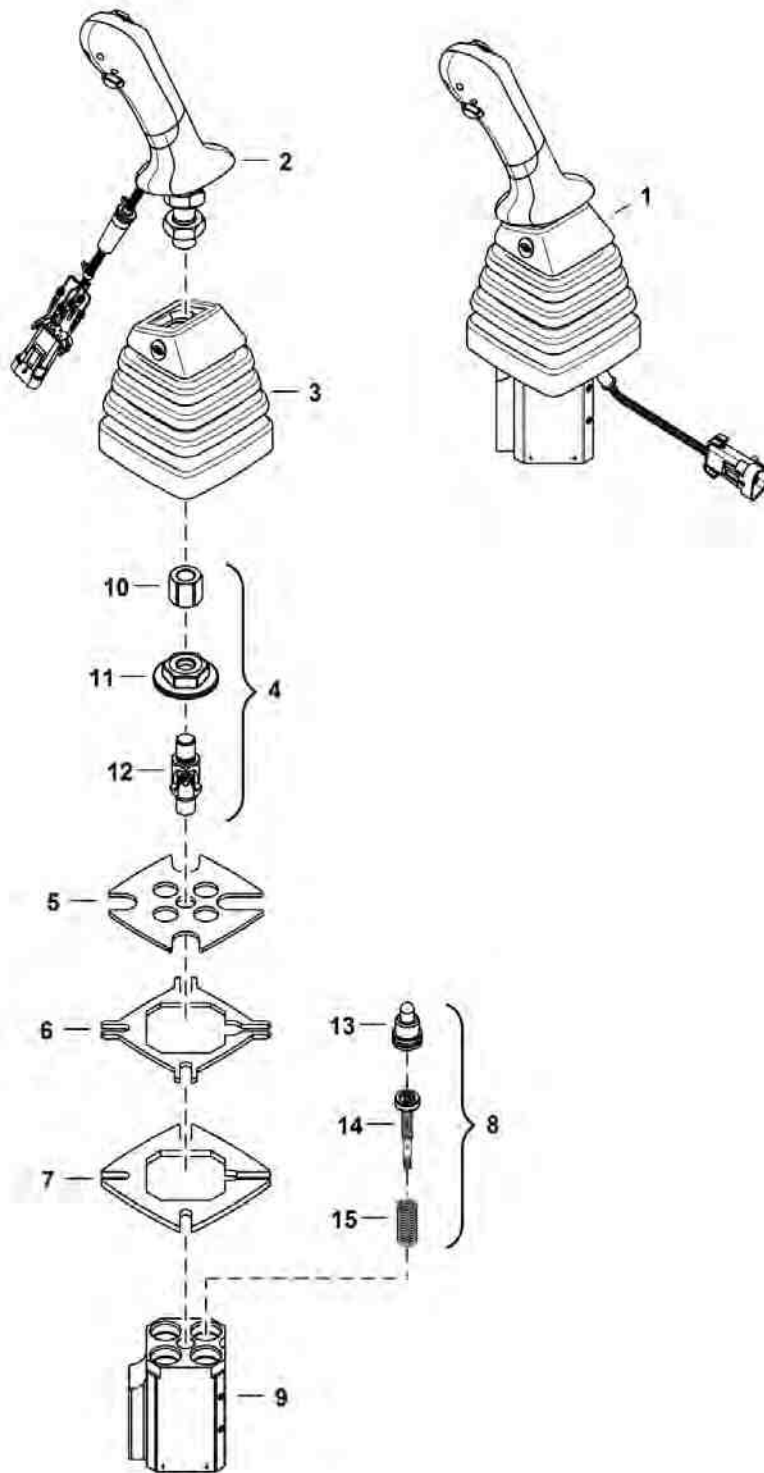


NA8065

LH JOYSTICK (Cont'd)
(S/N AB8B11081 - AB8B11999)

Ref No	Part Number	Description	Remarks	Serial Number	Qty
1	7220733	JOYSTICK, LH	Assy. - Ref. 2-11		1
2	7010197	HANDLE, JOYSTICK			1
3	6692548	BOOT			1
4	6679956	JOINT KIT			1
5		FLANGE SQUARE BELLOW	NSS - Order Ref. 9		1
6		FLANGE INTERMEDIATE	NSS - Order Ref. 9		1
7		FLANGE INFERIOR	NSS - Order Ref. 9		1
8	7028624	KIT PLUNGER			4
9		HOUSING JOYSTICK	NLA - W/Ref. 5-7 - Was 7028625 [A]		1
10	6679958	LOCK			1
11	6679960	CONNECTOR			1

LH JOYSTICK
(S/N AB8B12001 & Above)

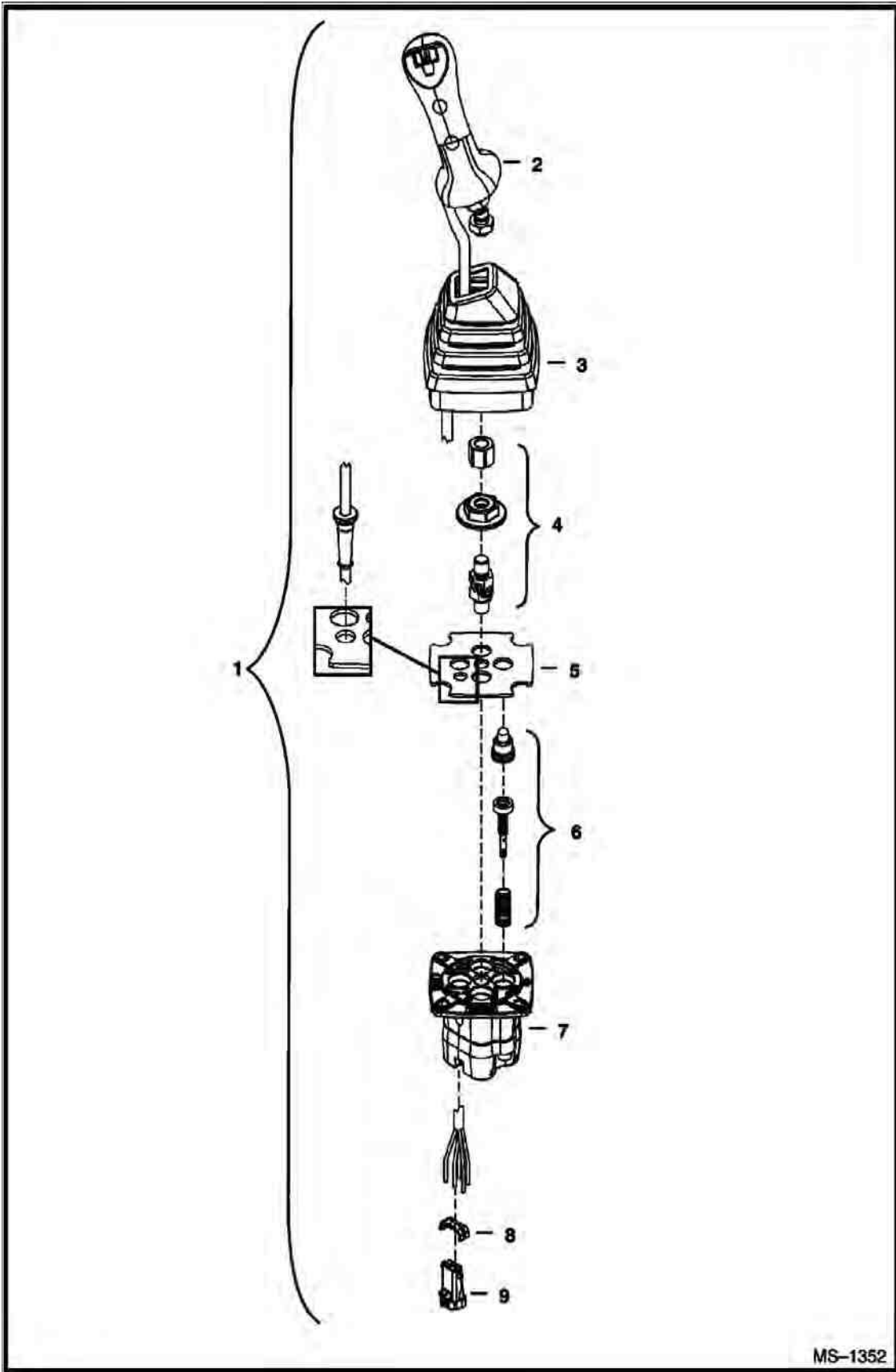


NA8316

LH JOYSTICK (Cont'd)
(S/N AB8B12001 & Above)

Ref No	Part Number	Description	Remarks	Serial Number	Qty
1	7024440	JOYSTICK, LH ASSY	Ref. 2-15		1
2	7031601	HANDLE, JOYSTICK			1
3	6692548	BOOT			1
4	6679956	JOINT KIT	Ref. 10-12		1
5		FLANGE SQUARE BELLOW	NSS - Order Ref. 9		1
6		FLANGE INTERMEDIATE	NSS - Order Ref. 9		1
7		FLANGE INFERIOR	NSS - Order Ref. 9		1
8	7028624	KIT PLUNGER	Ref. 13-15		4
9	7031600	HOUSING, JOYSTICK	W/Ref. 5-7		1
10		NUT	NSS - Order Ref. 4		1
11		NUT	NSS - Order Ref. 4		1
12		U-JOINT	NSS - Order Ref. 4		1
13		PLUNGER	NSS - Order Ref. 8		1
14		VALVE	NSS - Order Ref. 8		1
15		SPRING	NSS - Order Ref. 8		1

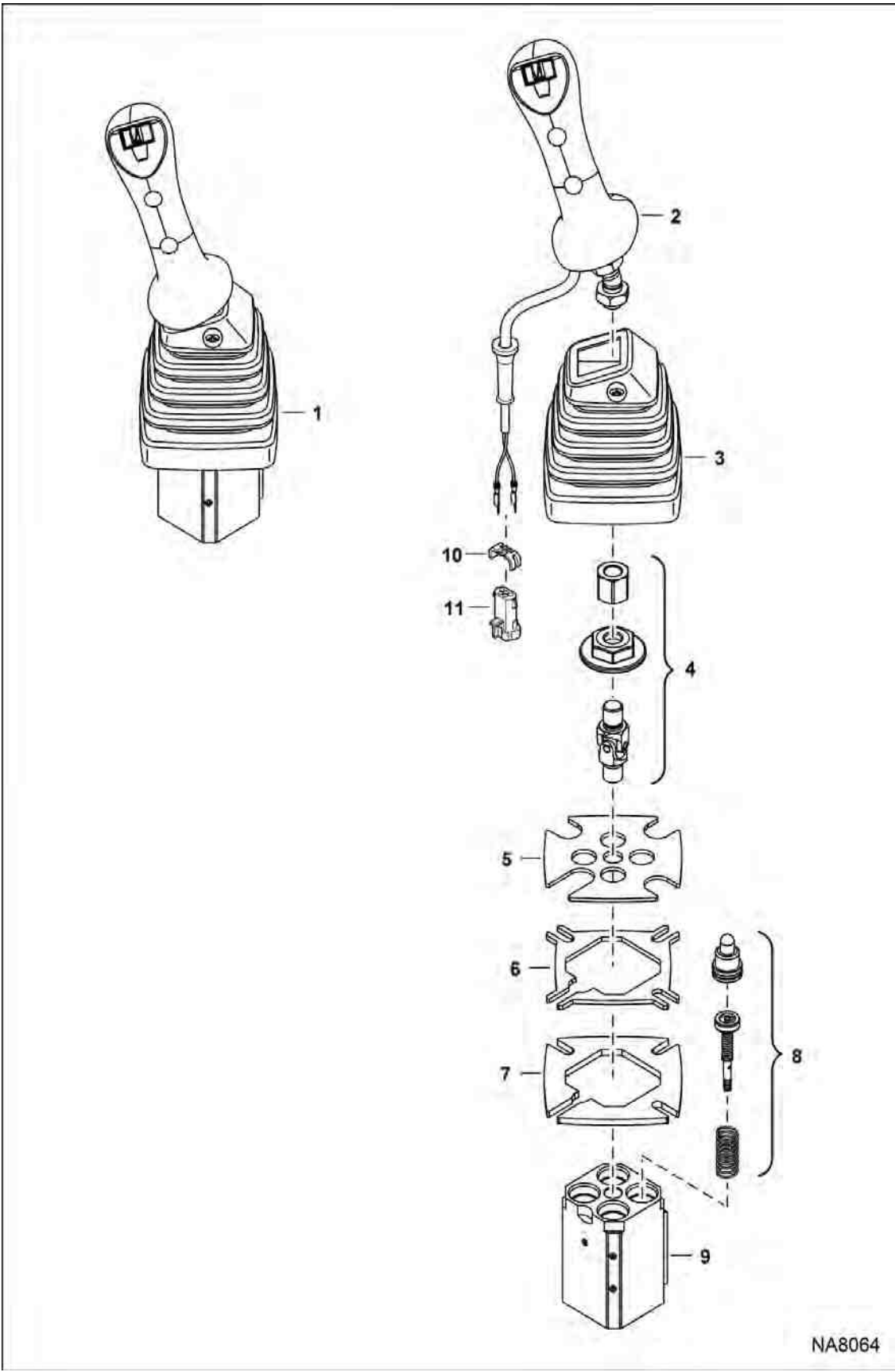
RH JOYSTICK
(S/N AB8B11001 - AB8B11080)



RH JOYSTICK (Cont'd)
(S/N AB8B11001 - AB8B11080)

Ref No	Part Number	Description	Remarks	Serial Number	Qty
1		LEVER, JOYSTICK W/PWM	See Illustration RH JOYSTICK / NA8064 NLA - RH - W/Ref. 2-9 - Was 6677895 [A]		1
2	6679953	HANDLE, JOYSTICK			1
3	6692548	BOOT			1
4	6679956	JOINT KIT			1
5		FLANGE	NLA - Order Ref. 7 [A]		1
6	6692549	KIT, PLUNGER			4
7	6684714	HOUSING	W/Ref. 5		1
8	6679958	LOCK			1
9	6679960	CONNECTOR			1

RH JOYSTICK
(S/N AB8B11081 - AB8B11999)

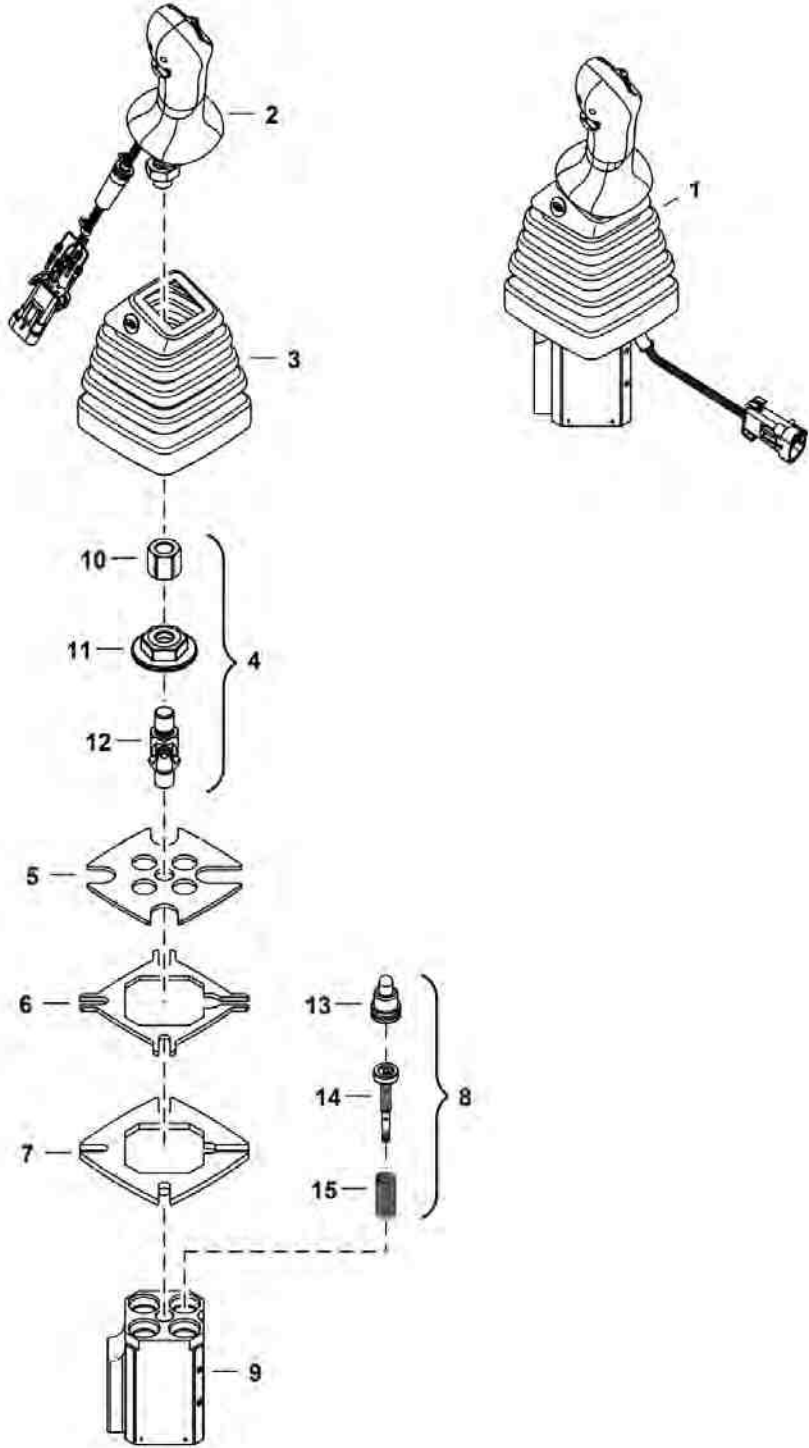


NA8064

RH JOYSTICK (Cont'd)
(S/N AB8B11081 - AB8B11999)

Ref No	Part Number	Description	Remarks	Serial Number	Qty
1	7220732	JOYSTICK, RH	Assy. - Ref. 2-11		1
2	6682237	HANDLE			1
3	6692548	BOOT			1
4	6679956	JOINT KIT			1
5		FLANGE SQUARE BELLOW	NSS - Order Ref. 9		1
6		FLANGE INTERMEDIATE	NSS - Order Ref. 9		1
7		FLANGE INFERIOR	NSS - Order Ref. 9		1
8	7028624	KIT PLUNGER			4
9		HOUSING JOYSTICK	NLA - W/Ref. 5-7 - Was 7028625 [A]		1
10	6679958	LOCK			1
11	6679960	CONNECTOR			1

RH JOYSTICK
(S/N AB8B12001 & Above)

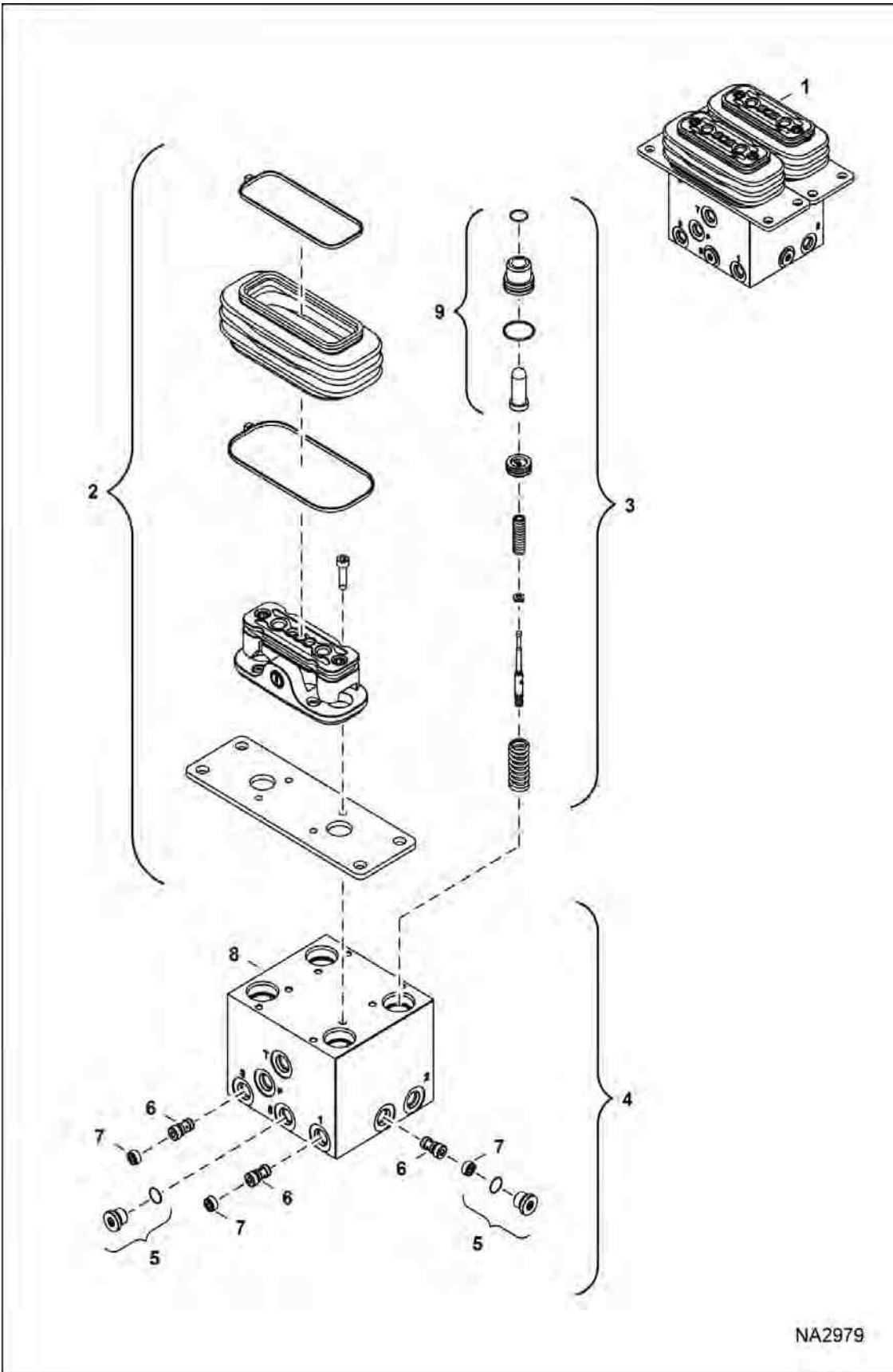


NA8317

RH JOYSTICK (Cont'd)
(S/N AB8B12001 & Above)

Ref No	Part Number	Description	Remarks	Serial Number	Qty
1	7024441	JOYSTICK, RH ASSY	Ref. 2-15		1
2	7031599	HANDLE, JOYSTICK			1
3	6692548	BOOT			1
4	6679956	JOINT KIT	Ref. 10-12		1
5		FLANGE SQUARE BELLOW	NSS - Order Ref. 9		1
6		FLANGE INTERMEDIATE	NSS - Order Ref. 9		1
7		FLANGE INFERIOR	NSS - Order Ref. 9		1
8	7028624	KIT PLUNGER	Ref. 13-15		4
9	7031600	HOUSING, JOYSTICK	W/Ref. 5-7		1
10		NUT	NSS - Order Ref. 4		1
11		NUT	NSS - Order Ref. 4		1
12		U-JOINT	NSS - Order Ref. 4		1
13		PLUNGER	NSS - Order Ref. 8		1
14		VALVE	NSS - Order Ref. 8		1
15		SPRING	NSS - Order Ref. 8		1

TRAVEL CONTROLLER (Dual Pedal Valve)

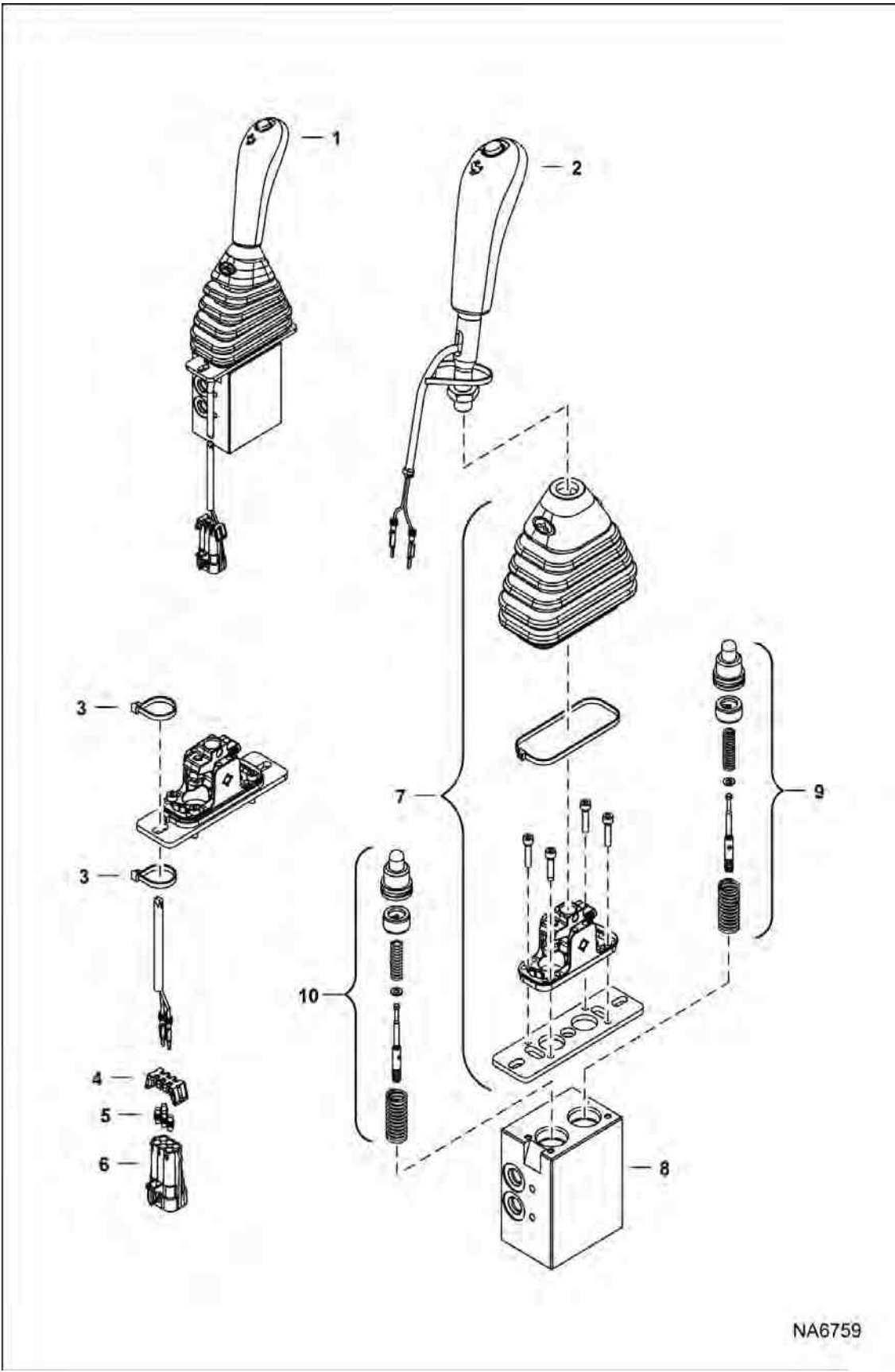


NA2979

TRAVEL CONTROLLER (Cont'd)
(Dual Pedal Valve)

Ref No	Part Number	Description	Remarks	Serial Number	Qty
1	7180565	VALVE, PEDAL DUAL	Ref. 2-9		1
2	7012019	BASE, JOYSTICK			2
3	7012020	SPOOL, ACTUATOR ASSY			4
4		HOUSING, JOYSTICK	NLA - Ref. 5-8 - Order Ref. 1		1
5	6686236	PLUG			2
6	6685332	SPOOL			3
7	7012022	PLUG			3
8		HOUSING	NSS - Order Ref. 1		1
9	7018015	KIT, PLUNGER			4

BLADE JOYSTICK
(S/N AB8B11001 - AB8B12272)

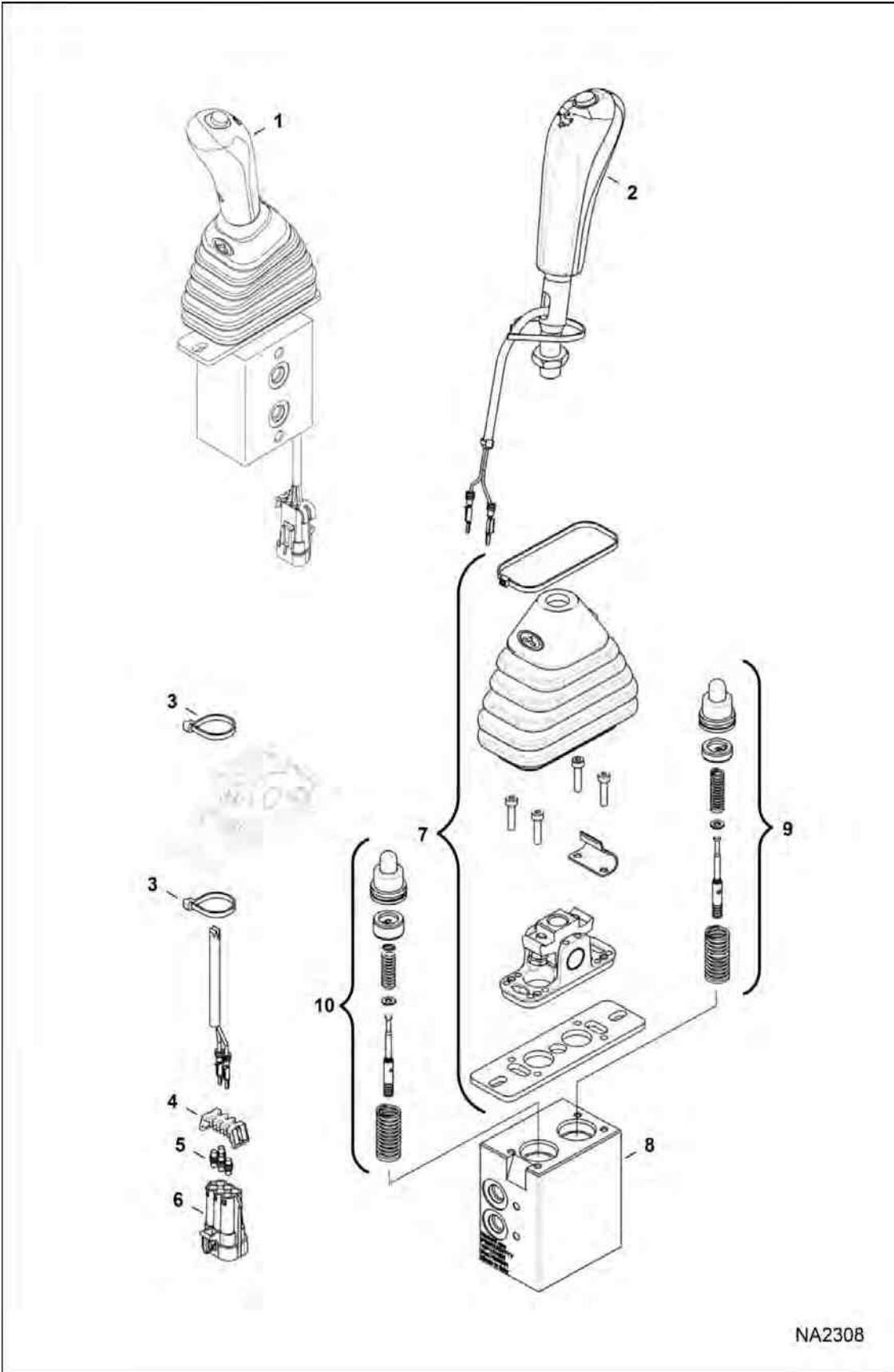


NA6759

BLADE JOYSTICK (Cont'd)
(S/N AB8B11001 - AB8B12272)

Ref No	Part Number	Description	Remarks	Serial Number	Qty
1		BLADE, JOYSTICK	See Illustration BLADE JOYSTICK / NA2308 NLA - Ref. 2-10 - Order 7008581 - Was 7217763 [A]		1
2	7025236	HANDLE, JOYSTICK			1
3	6610510	STRAP, TIE 10			3
4	7010550	LOCK	6 pin		1
5	7010551	PLUG			4
6	7010552	CONNECTOR	6 pin		1
7	7025237	BASE, JOYSTICK			1
8	7010554	HOUSING, JOYSTICK			1
9	7025235	SPOOL, ACTUATOR			1
10	7010556	SPOOL, ACTUATOR ASSY			1

BLADE JOYSTICK
(S/N AB8B12273 & Above)

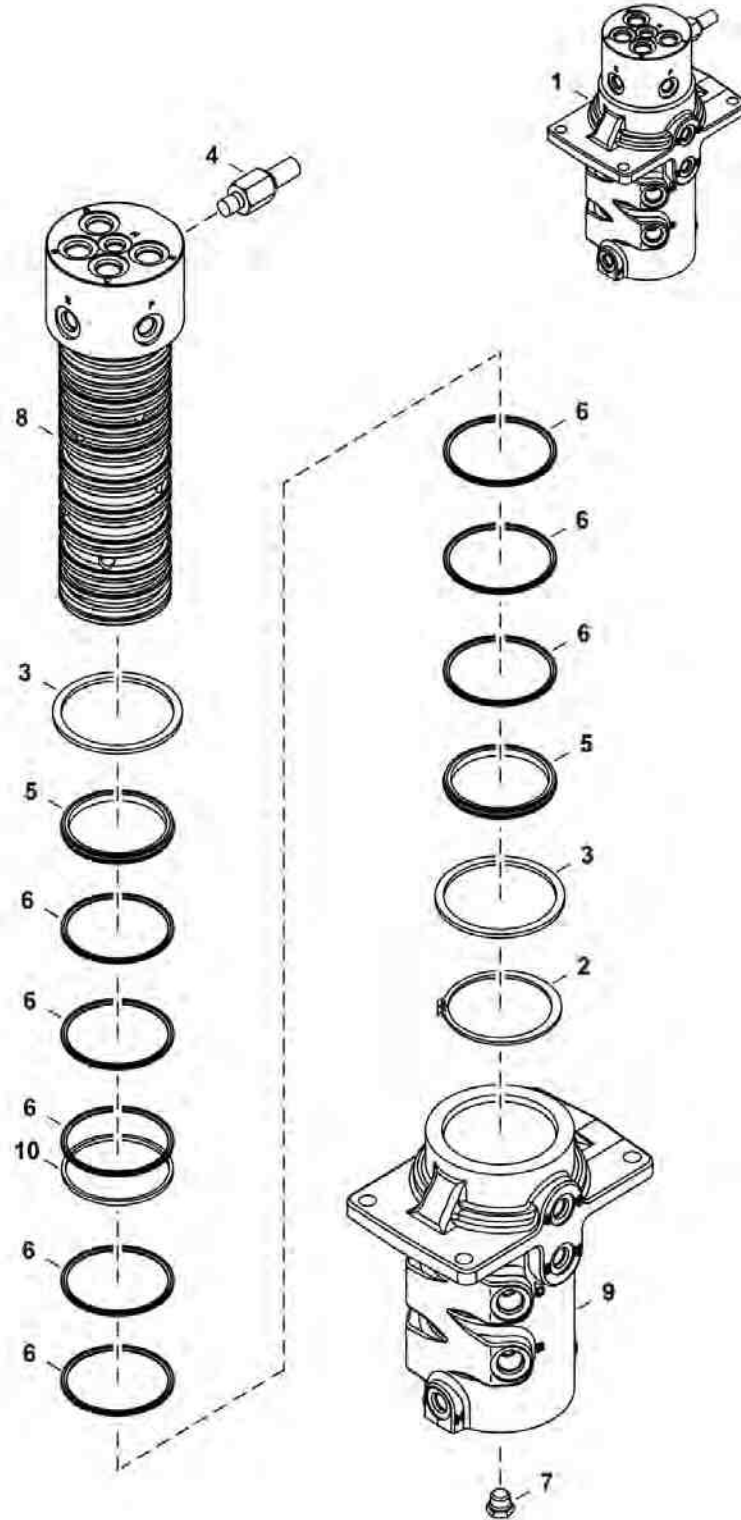


NA2308

BLADE JOYSTICK (Cont'd)
(S/N AB8B12273 & Above)

Ref No	Part Number	Description	Remarks	Serial Number	Qty
1	7008581	JOYSTICK, BLADE	Ref. 2-10		1
2	7010549	HANDLE, JOYSTICK			1
3	6610510	STRAP, TIE 10			3
4	7010550	LOCK			1
5	7010551	PLUG			4
6	7010552	CONNECTOR			1
7	7010553	BASE, JOYSTICK			1
8	7010554	HOUSING, JOYSTICK			1
9	7010555	SPOOL, ACTUATOR ASSY			1
10	7010556	SPOOL, ACTUATOR ASSY			1

SWIVEL ASSY
(W/O Angle Blade)
(S/N AB8B11001 - AB8B12260)



NA8155

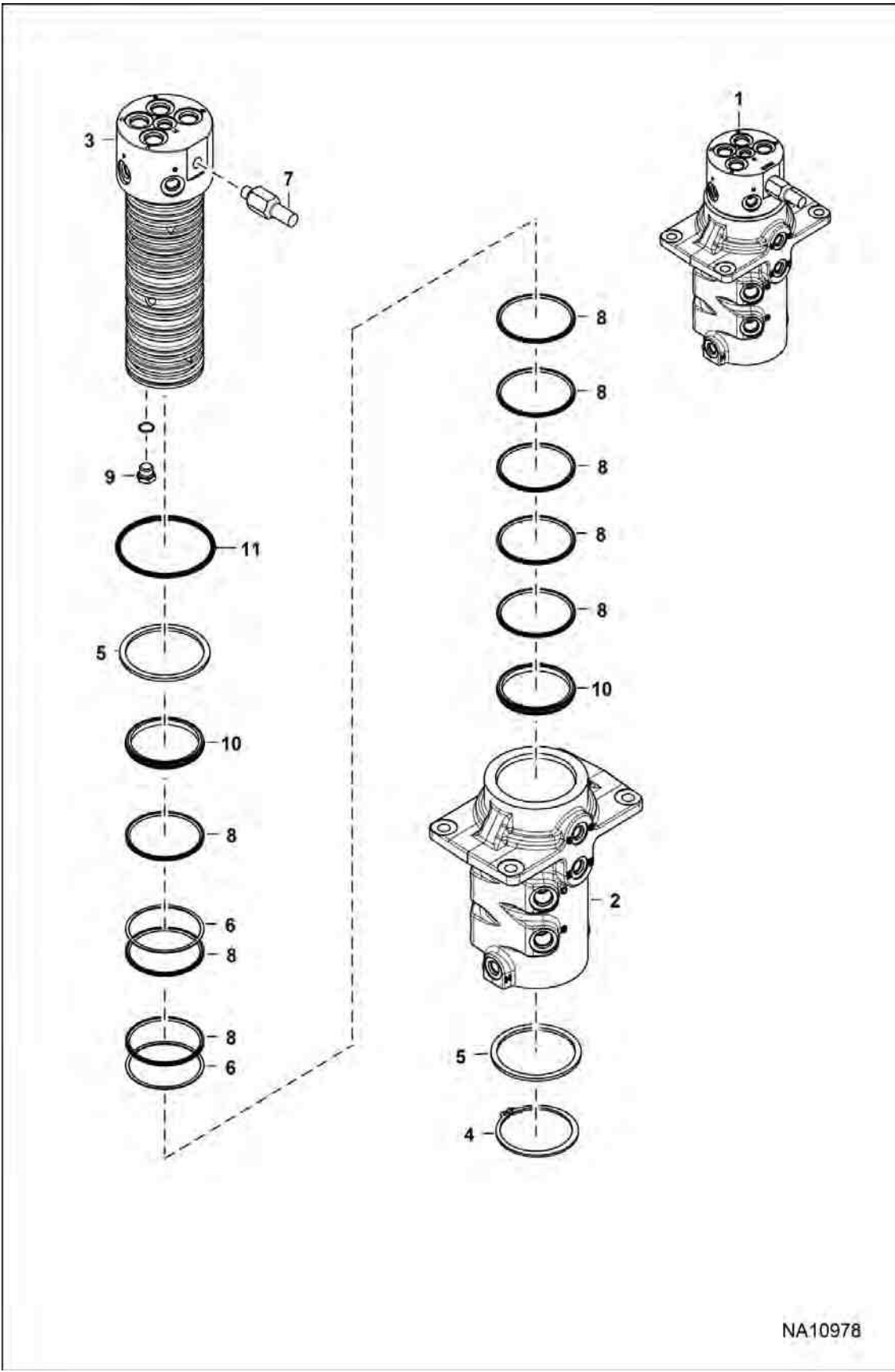
SWIVEL ASSY (Cont'd)

(W/O Angle Blade)

(S/N AB8B11001 - AB8B12260)

Ref No	Part Number	Description	Remarks	Serial Number	Qty
1		SWIVEL, HYD ASSY	NLA - Ref. 2-10 - Was 7143734 [A]		1
2	6662076	RING, SNAP			1
3	6674221	WASHER			2
4	6810029	STOP, SWIVEL			1
5	7100535	SEAL, DUST	Was 6810610 [A]		2
6	6810813	SEAL, OIL	2 pc seal		8
7	6812171	PLUG			4
7	79K6	O RING 10			4
8		SPOOL, SWIVEL	NLA - Was 7143717 [A]		1
9		BARREL	NLA - Order Ref. 1		1
10	6679248	BACKUP RING			1

SWIVEL ASSY
(W/O Angle Blade)
(S/N AB8B12261 & Above)



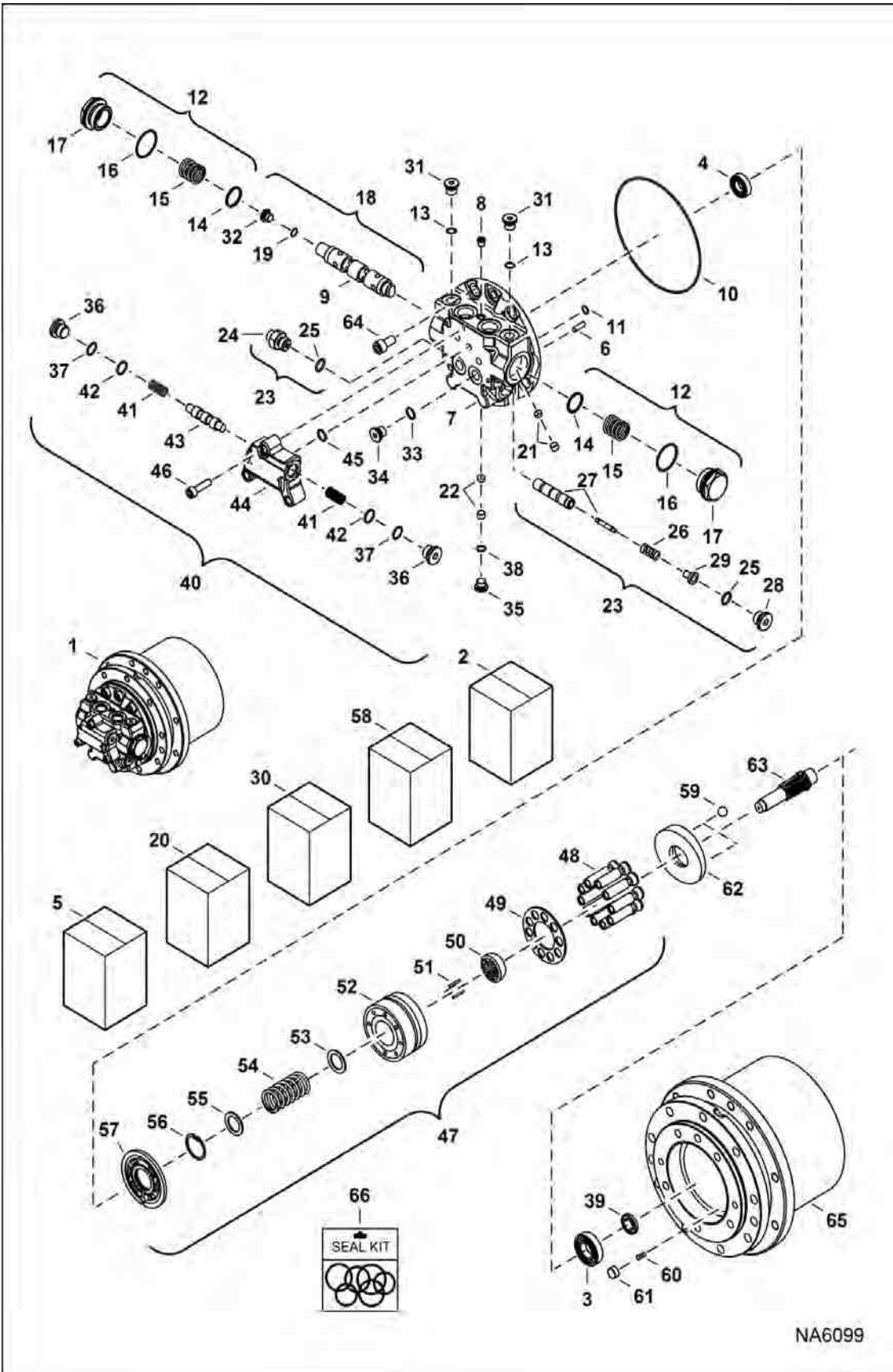
NA10978

SWIVEL ASSY (Cont'd)

(W/O Angle Blade)
(S/N AB8B12261 & Above)

Ref No	Part Number	Description	Remarks	Serial Number	Qty
1	7278823	SWIVEL, HYD ASSY	Ref. 2-11		1
2		BARREL, MACH	NSS - Order Ref. 1		1
3		SPOOL, SWIVEL	NLA - Was 7278824		1
4	6662076	RING, SNAP			1
5	6674221	WASHER			2
6	6679248	BACKUP RING			2
7	6810029	STOP, SWIVEL			1
8	6810813	SEAL, OIL			8
9	6812171	PLUG			3
10	7100535	SEAL, DUST			2
11	7326164	SEAL O-RING			1

TRAVEL MOTOR (Assy)



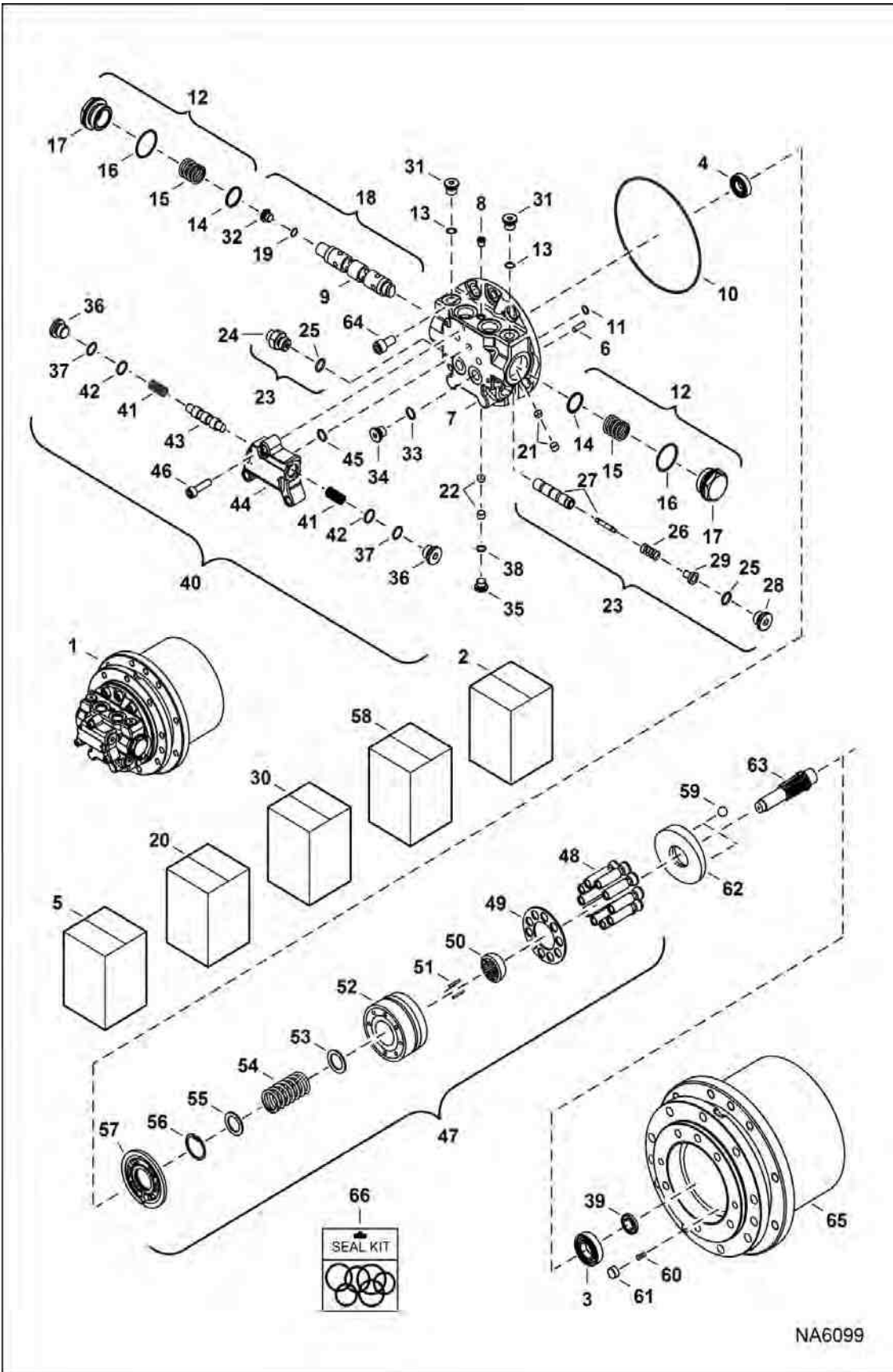
NA6099

TRAVEL MOTOR (Cont'd)
(Assy)

Ref No	Part Number	Description	Remarks	Serial Number	Qty
1	7190517	MOTOR, DRIVE HYD TRAVEL	Ref. 2-66		1
2	7022826	BEARING, MOTOR TRAVEL	Ref. 3 & 4		1
3		BEARING	NSS - Order Ref. 2		1
4		BEARING	NSS - Order Ref. 2		1
5	7022815	HOUSING, ASSY	Ref. 6-8, 12, 20, & 23		1
6		PIN	NSS - Order Ref. 5		2
7		PLATE, BASE	NSS - Order Ref. 5		1
8		PLUG	NSS - Order Ref. 5		1
9		SPOOL	NSS		1
10		O-RING	NSS		1
11		O-RING	NSS		2
12	7022816	VALVE, TRAVEL	Ref. 14-18		1
13		O-RING	NSS - Order Ref. 30		1
14		SEAT, SPRING	NSS - Order Ref. 12		2
15		SPRING	NSS - Order Ref. 12		2
16		O-RING	NSS - Order Ref. 12		2
17		PLUG	NSS - Order Ref. 12		2
18	7022817	PLUNGER			1
19		O-RING	NSS - Order Ref. 18		1
20	7022818	ORIFICE	Ref. 21 & 22		1
21		ORIFICE	NSS - Order Ref. 20		4
22		ORIFICE	NSS - Order Ref. 20		4
23	7022819	KIT, SHIFT 2 SPEED	Ref. 24-29		1
24		PLUG	NSS - Order Ref. 23		1
25		O-RING	NSS - Order Ref. 23		2
26		SPRING	NSS - Order Ref. 23		1
27		SPOOL	NSS - Order Ref. 23		1
28		PLUG	NSS - Order Ref. 23		1
29		SEAT, SPRING	NSS - Order Ref. 23		1
30	7022820	KIT, PLUG	Ref. 13, 31, & 33-38		1
31		PLUG	NSS - Order Ref. 30		1
32		PLUG	NSS - Order Ref. 18		1
33		O-RING	NSS - Order Ref. 30		2
34		PLUG	NSS - Order Ref. 30		2
35		PLUG	NSS - Order Ref. 30		2
36		PLUG	NSS - Order Ref. 30 or 40		2
37		O-RING	NSS - Order Ref. 30 or 40		2
38		O-RING	NSS - Order Ref. 30		2
39	7022825	SEAL, RING			1
40	7022821	VALVE, ANTI-CAV	Ref. 36, 37, & 41-46		1
41		SPRING	NSS - Order Ref. 40		2
42		SEAT, SPRING	NSS - Order Ref. 40		2
43		SPOOL	NSS - Order Ref. 40		1
44		HOUSING	NSS - Order Ref. 40		1
45		O-RING	NSS - Order Ref. 40		3
46		SCREW	NSS - Order Ref. 40		3

TRAVEL MOTOR (Cont'd)

(Assy)

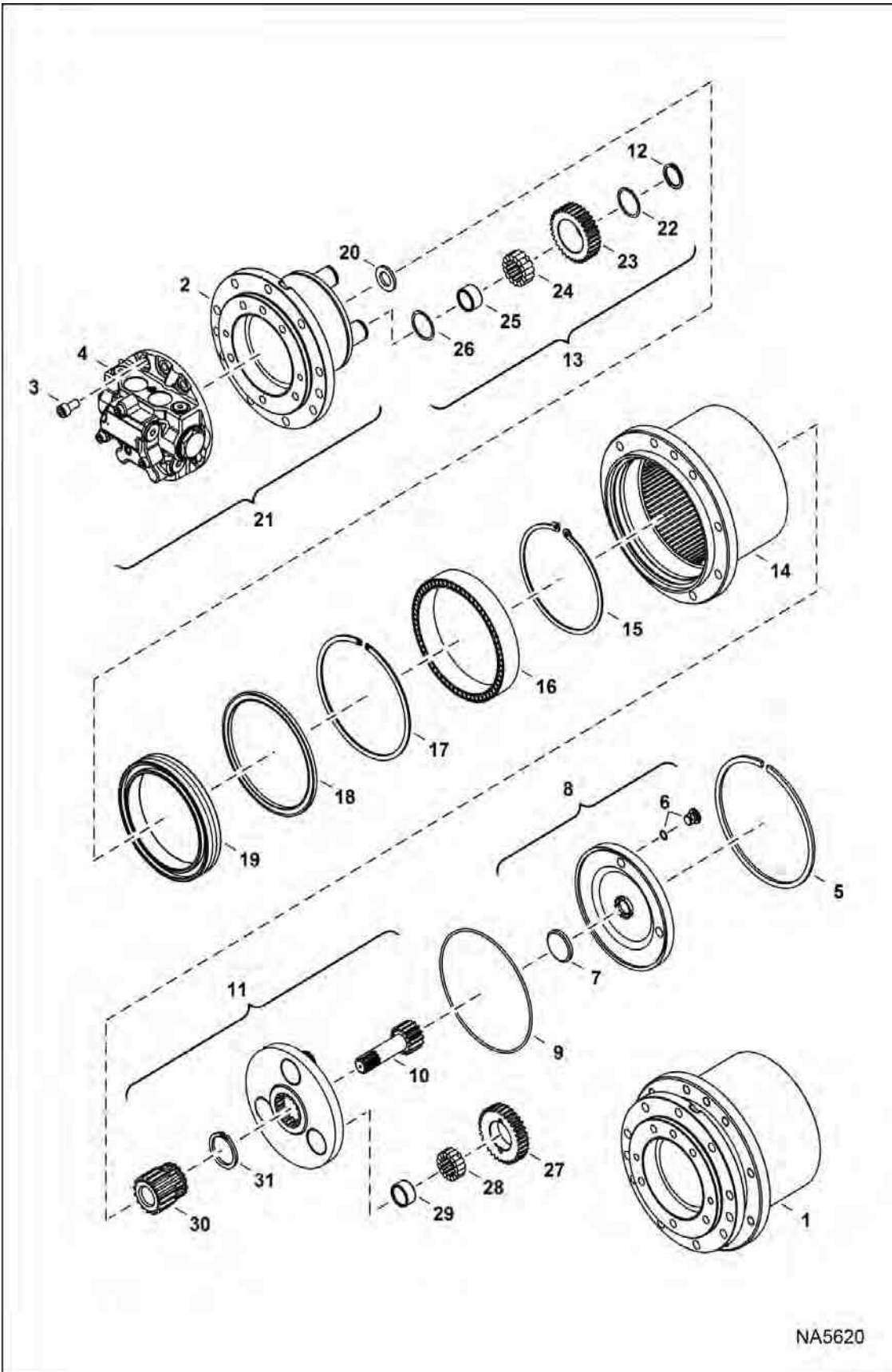


NA6099

TRAVEL MOTOR (Cont'd)
(Assy)

Ref No	Part Number	Description	Remarks	Serial Number	Qty
47	7022822	KIT, ROTARY GROUP	Ref. 48-57		1
48		PISTON	NSS - Order Ref. 47		9
49		RETAINER	NSS - Order Ref. 47		1
50		BUSHING	NSS - Order Ref. 47		1
51		PIN	NSS - Order Ref. 47		3
52		BLOCK, CYL	NSS - Order Ref. 47		1
53		HOLDER, SPRING	NSS - Order Ref. 47		1
54		SPRING	NSS - Order Ref. 47		1
55		WASHER	NSS - Order Ref. 47		1
56		CIRCLIP	NSS - Order Ref. 47		1
57		PLATE, VALVE	NSS - Order Ref. 47		1
58	7022823	SWASHPLATE	Ref. 59-62		1
59		BALL	NSS - Order Ref. 58		2
60		SPRING	NSS - Order Ref. 58		2
61		PISTON	NSS - Order Ref. 58		2
62		SWASHPLATE	NSS - Order Ref. 58		1
63	7022824	SHAFT, MOTOR			1
64	7022814	SCREW			6
65		GEAR BOX	See Illustration TRAVEL MOTOR / NA5620 NSS		1
66	7022774	KIT, SEAL	Ref. 10, 11, 13, 16, 19, 25, 33, 37, 38, & 45		1

TRAVEL MOTOR (Gear Box)

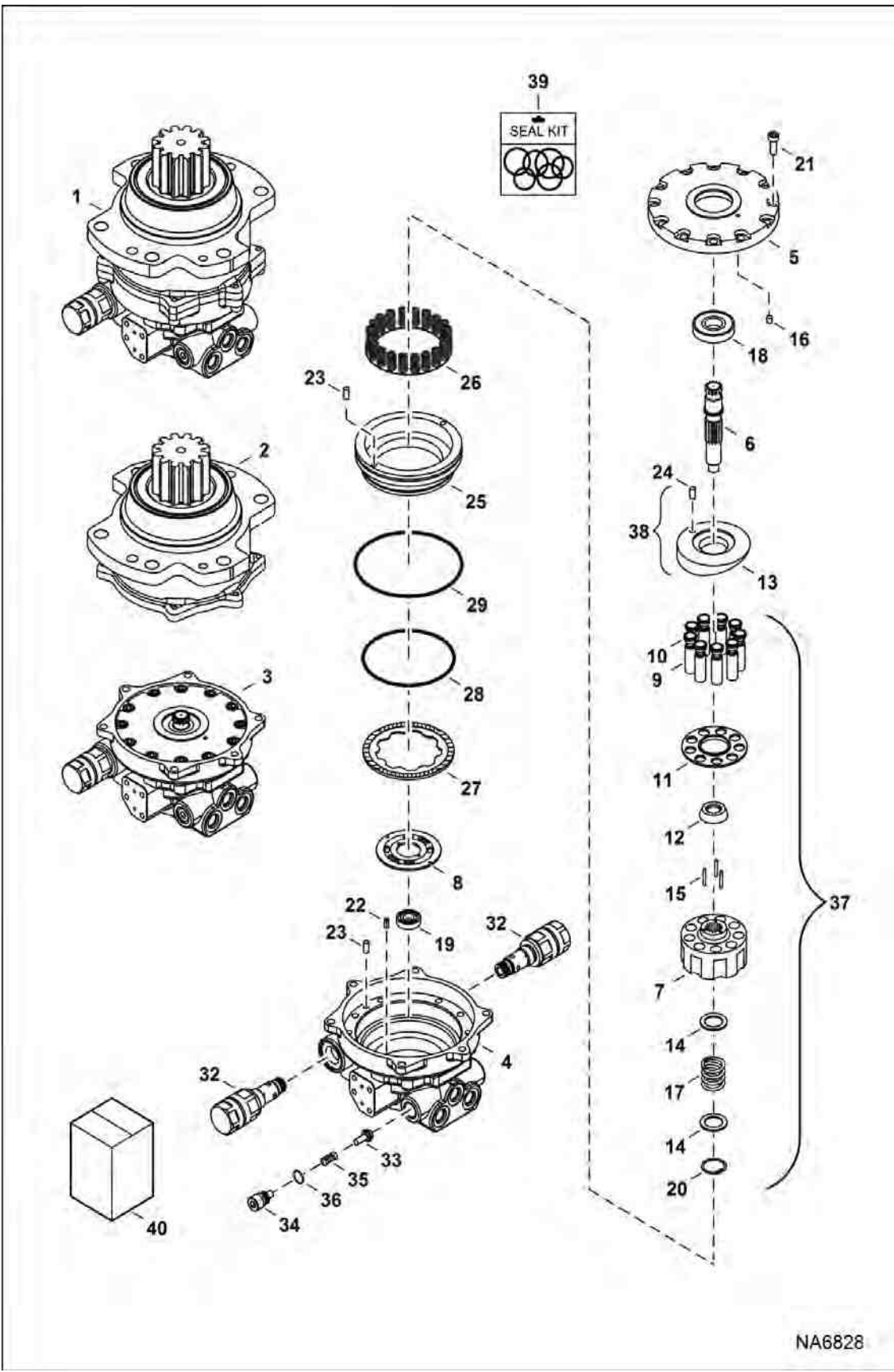


NA5620

TRAVEL MOTOR (Cont'd)
(Gear Box)

Ref No	Part Number	Description	Remarks	Serial Number	Qty
1		GEAR BOX	NSS		1
2		HUB	NSS - Order Ref. 21		1
3	7022814	SCREW			6
4		PLATE, BASE ASSY	NSS - Order Ref. 21		1
5	7022798	CIRCLIP			1
6	7022799	PLUG, MOTOR			2
7	7022800	PAD			1
8	7022801	COVER, ASSY			1
9	7022802	O-RING			1
10	7022803	GEAR			1
11	7022804	GEAR, MOTOR			1
12	7022805	CIRCLIP			3
13	7022806	GEAR, MOTOR			3
14		HOUSING	NSS		1
15	7022807	CIRCLIP			1
16	7022808	BEARING, MOTOR TRAVEL			1
17	7022809	CIRCLIP			1
18	7022810	DISC			1
19	7022811	SEAL, RING			1
20	7022812	RING, SUPPORT			1
21	7022813	MOTOR, TRAVEL	See Illustration TRAVEL MOTOR / NA6099 Ref. 2-4		1
22		RING	NSS - Order Ref. 13		3
23		GEAR	NSS - Order Ref. 13		3
24		NEEDLE	NSS - Order Ref. 13		x
25		RING	NSS - Order Ref. 13		3
26		RING	NSS - Order Ref. 13		3
27		GEAR	NSS - Order Ref. 11		3
28		NEEDLE	NSS - Order Ref. 11		x
29		RING	NSS - Order Ref. 11		3
30		GEAR	NSS - Order Ref. 11		1
31		CIRCLIP	NSS - Order Ref. 11		1

SLEW MOTOR (Assy)

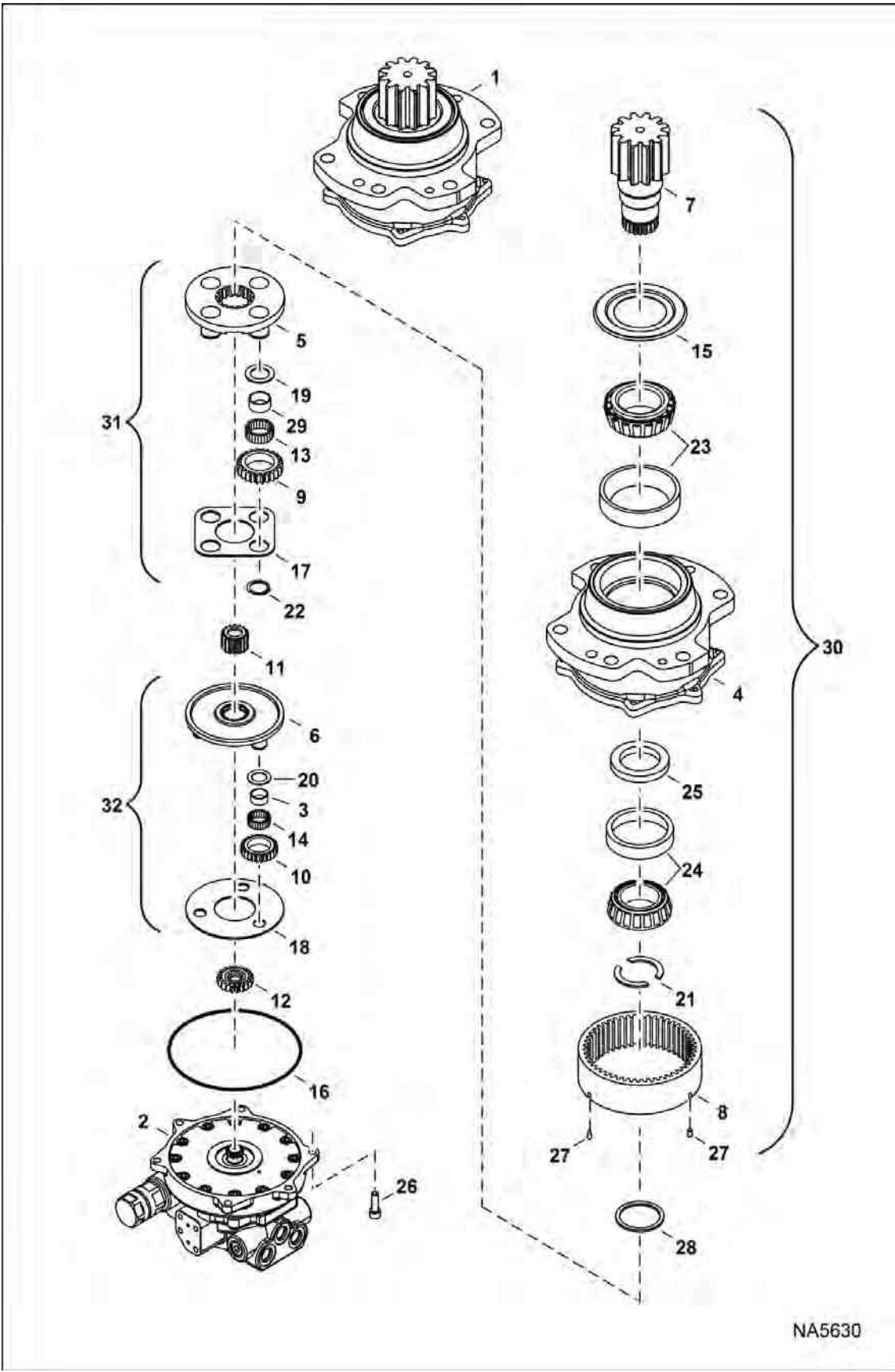


NA6828

SLEW MOTOR (Cont'd)
(Assy)

Ref No	Part Number	Description	Remarks	Serial Number	Qty
1	7219299	MOTOR, SLEW	Ref. 2-36		1
2		CARRIER, ASSY	See Illustration SLEW MOTOR / NA5630 NSS		1
3		MOTOR, HYD	NSS		1
4		HOUSING	NSS		1
5		COVER, PLATE	NSS		1
6		SHAFT, MOTOR	NSS		1
7		BARREL, CYLINDER	NSS		1
8		PLATE, VALVE	NSS		1
9		PISTON	NSS		9
10		SHOE	NSS		9
11		HOLDER, SHOE	NSS		1
12		HOLDER, BARREL	NSS		1
13		SWASHPLATE	NSS		1
14		RETAINER	NSS		2
15		PIN	NSS		3
16	7010801	SCREEN, DEBRIS			1
17		SPRING	NSS		1
18	7022830	BEARING, MOTOR SLEW			1
19	7010803	BEARING, MOTOR SLEW			1
20	7010804	RING, SNAP			1
21	7010799	SCREW			12
22		PIN, SPRING	NSS		1
23	7010807	PIN			3
24		PIN	NSS		1
25		PISTON, BREAK	NSS		1
26		SPRING, ASSY	NSS		1
27		PLATE, DISK	NSS		1
28	7010808	O-RING			1
29	7010809	O-RING			1
32	7022836	VALVE, RELIEF	See Illustration SLEW MOTOR / NA5632		2
33		VALVE, CHECK	NSS		2
34		PLUG	NSS		2
35		SPRING	NSS		2
36	7010811	O-RING			2
37	7022834	KIT, ROTARY GROUP	Ref. 7, 9-12, 14, 15, 17, & 20		1
38	7022835	SWASHPLATE	Ref. 13 & 24		1
39	7010828	KIT, SEAL	Ref. 28, 29, & 36		1
40	7022833	KIT, HOUSING MOTOR	Ref. 4, 19, 22, & 33-36		1

SLEW MOTOR (Carrier)

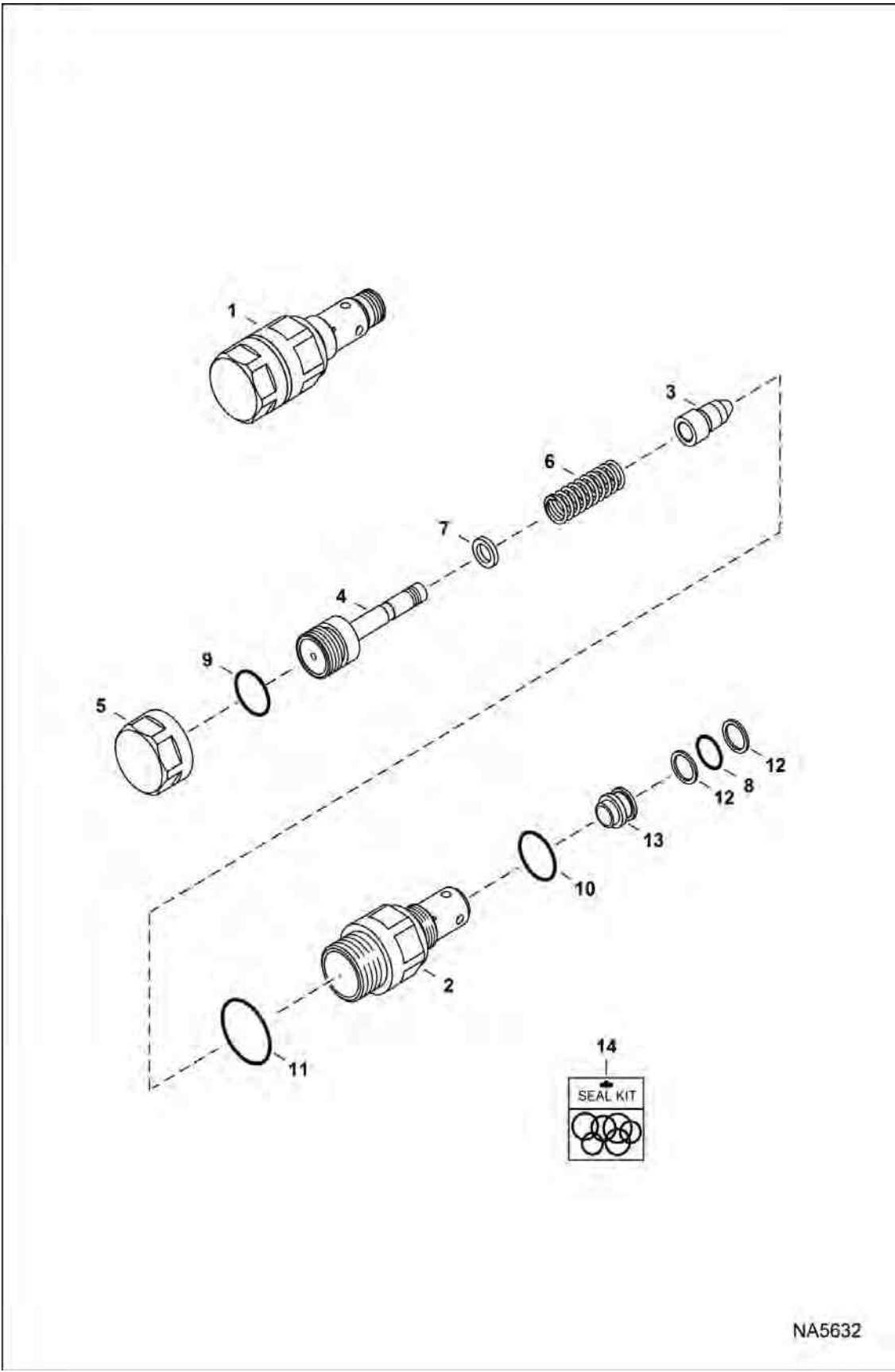


NA5630

SLEW MOTOR (Cont'd)
(Carrier)

Ref No	Part Number	Description	Remarks	Serial Number	Qty
1		CARRIER, ASSY	NSS - Ref. 3-29		1
2		MOTOR, HYD	See Illustration SLEW MOTOR / NA6828 NSS		1
3		RING	NSS		3
4		HOUSING	NSS		1
5		CARRIER	NSS		1
6		CARRIER	NSS		1
7		SHAFT, PINION	NSS		1
8		GEAR	NSS		1
9		GEAR	NSS		4
10		GEAR	NSS		3
11	7022827	GEAR, MOTOR			1
12	7010796	GEAR, DRIVEN			1
13		NEEDLE	NSS		92
14		NEEDLE	NSS		72
15		SEAL, RING	NSS		1
16	7022828	O-RING			1
17		PLATE, THRUST	NSS		1
18		PLATE, THRUST	NSS		1
19		WASHER, THRUST	NSS		4
20		WASHER, THRUST	NSS		3
21		COLLAR	NSS		2
22	7010798	RING, SNAP			4
23		BEARING	NSS		1
24		BEARING	NSS		1
25		SEAL, OIL	NSS		1
26	7010799	SCREW			6
27		PIN	NSS		2
28	7022829	RING			1
29		RING	NSS		4
30	7022831	KIT, PINION	Ref. 4, 7, 8, 15, 21, 23-25, & 27		1
31	7022832	KIT, CARRIER	Ref. 5, 9, 13, 17, 19, 22, & 29		1
32	7010824	KIT, CARRIER	Ref. 3, 6, 10, 14, 18, & 20		1

SLEW MOTOR (Relief Valve)

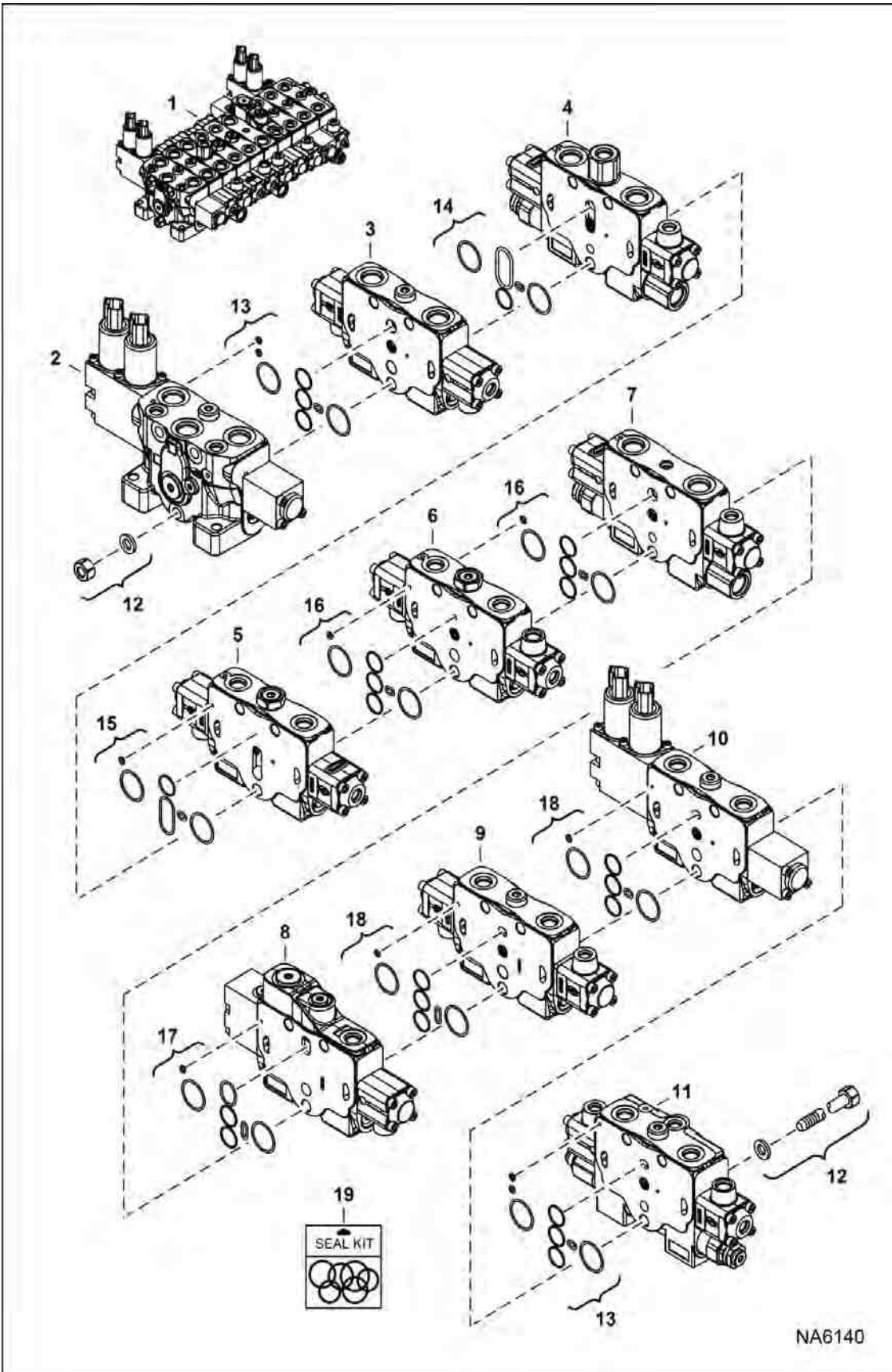


NA5632

SLEW MOTOR (Cont'd)
(Relief Valve)

Ref No	Part Number	Description	Remarks	Serial Number	Qty
1	7022836	VALVE, RELIEF	Ref. 2-13		1
2		RETAINER	NSS		1
3		POPPET	NSS		1
4		PISTON	NSS		1
5		CAP	NSS		1
6		SPRING	NSS		1
7		SPACER	NSS		1
8	7010812	O-RING			1
9	7010813	O-RING			1
10	7010814	O-RING			1
11	7010815	O-RING			1
12	7010816	RING, BACK-UP			2
13		SEAT	NSS		1
14	7010829	KIT, SEAL	Ref. 8-12		1

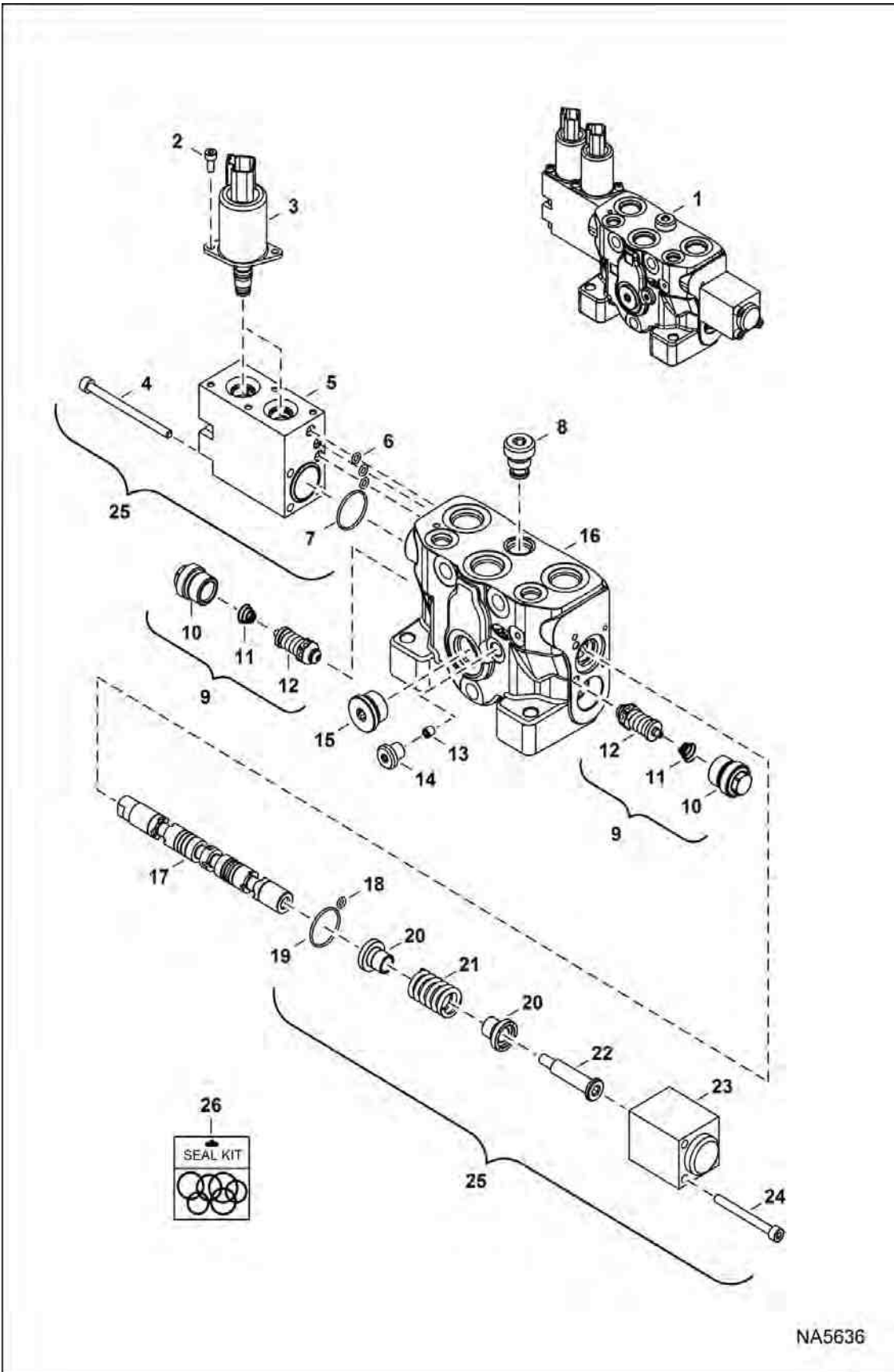
HYDRAULIC CONTROL VALVE (Assembly)



HYDRAULIC CONTROL VALVE (Cont'd)
(Assembly)

Ref No	Part Number	Description	Remarks	Serial Number	Qty
1	7188867	VALVE, CONTROL	Ref. 2-18	AB8B11001 - 12249	1
1	7257738	VALVE, CONTROL	Ref. 2-18	AB8B12250 & Above	1
2	7022944	SECTION, VALVE	See Illustration HYDRAULIC CONTROL VALVE / NA5636 - aux		1
3	7022945	SECTION, VALVE	See Illustration HYDRAULIC CONTROL VALVE / NA5637 - arm		1
4	7022946	SECTION, VALVE	See Illustration HYDRAULIC CONTROL VALVE / NA5638 - rh travel		1
5	7022947	SECTION, VALVE	See Illustration HYDRAULIC CONTROL VALVE / NA5639 - bucket		1
6	7022948	SECTION, VALVE	See Illustration HYDRAULIC CONTROL VALVE / NA5640 - boom		1
7	7022949	SECTION, VALVE	See Illustration HYDRAULIC CONTROL VALVE / NA5641 - lh travel		1
8	7022950	SECTION, VALVE	See Illustration HYDRAULIC CONTROL VALVE / NA5642 - boost	AB8B11001 - 12249	1
8	7286379	SECTION VALVE	See Illustration HYDRAULIC CONTROL VALVE / NA11083 - boost	AB8B12250 & Above	1
9	7022951	SECTION, VALVE	See Illustration HYDRAULIC CONTROL VALVE / NA5643 - blade		1
10	7022952	SECTION, VALVE	See Illustration HYDRAULIC CONTROL VALVE / NA5644 - boom-swing		1
11	7022953	SECTION, VALVE	See Illustration HYDRAULIC CONTROL VALVE / NA5645 - slew		1
12	7022955	KIT, ROD TIE			1
13		KIT, SEAL	NSS		2
14		KIT, SEAL	NSS		1
15		KIT, SEAL	NSS		1
16		KIT, SEAL	NSS		2
17		KIT, SEAL	NSS		1
18		KIT, SEAL	NSS		2
19	7022982	KIT, SEAL COMPLETE			1

HYDRAULIC CONTROL VALVE (Auxiliary Section)

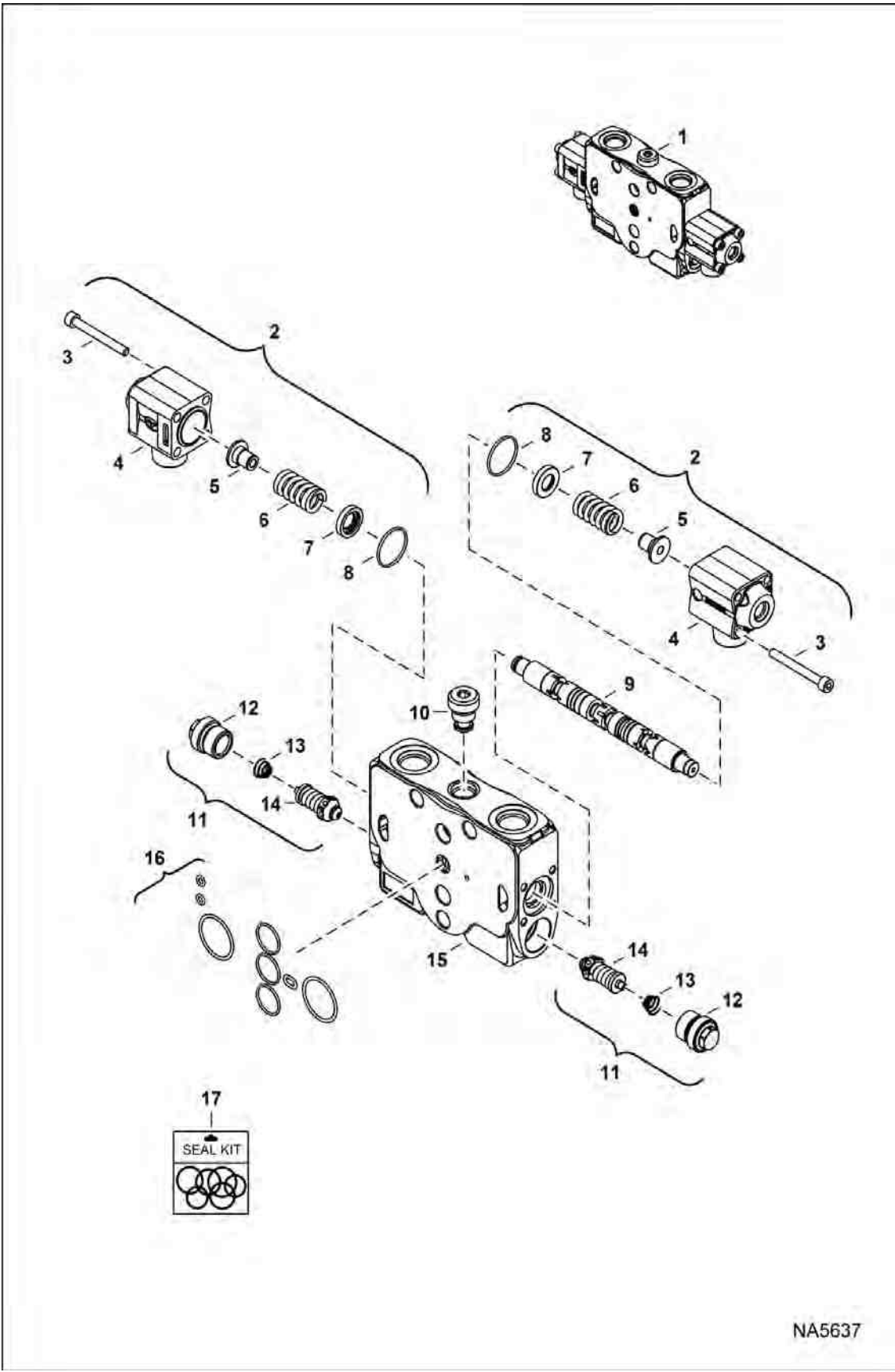


NA5636

HYDRAULIC CONTROL VALVE (Cont'd)
(Auxiliary Section)

Ref No	Part Number	Description	Remarks	Serial Number	Qty
1	7022944	SECTION, VALVE	aux - Ref. 2-25		1
2	6682230	SCREW			4
3	7232745	VALVE, PROPORTIONAL	Was 7010626 [A]		2
4	7022971	BOLT			4
5		BLOCK	NSS		1
6		O-RING	NSS		3
7		O-RING	NSS		1
8	6680092	VALVE, LOCK LOAD			1
9	6685776	KIT, VALVE			2
10		CAP	NSS		2
11		SPRING	NSS		2
12		VALVE	NSS		2
13	7022385	PLUG			1
14	6685333	PLUG			1
15	6679600	PLUG			1
16		BLOCK	NSS		1
17		SPOOL	NSS		1
18		O-RING	NSS		1
19		O-RING	NSS		1
20		BUSHING	NSS		2
21		SPRING	NSS		1
22		SCREW	NSS		1
23		BLOCK	NSS		1
24	6682247	SCREW			4
25	7022958	ACTUATOR	Ref. 2-7, & 18-24		1
26	7022972	KIT, SEAL			1

HYDRAULIC CONTROL VALVE (Arm Section)

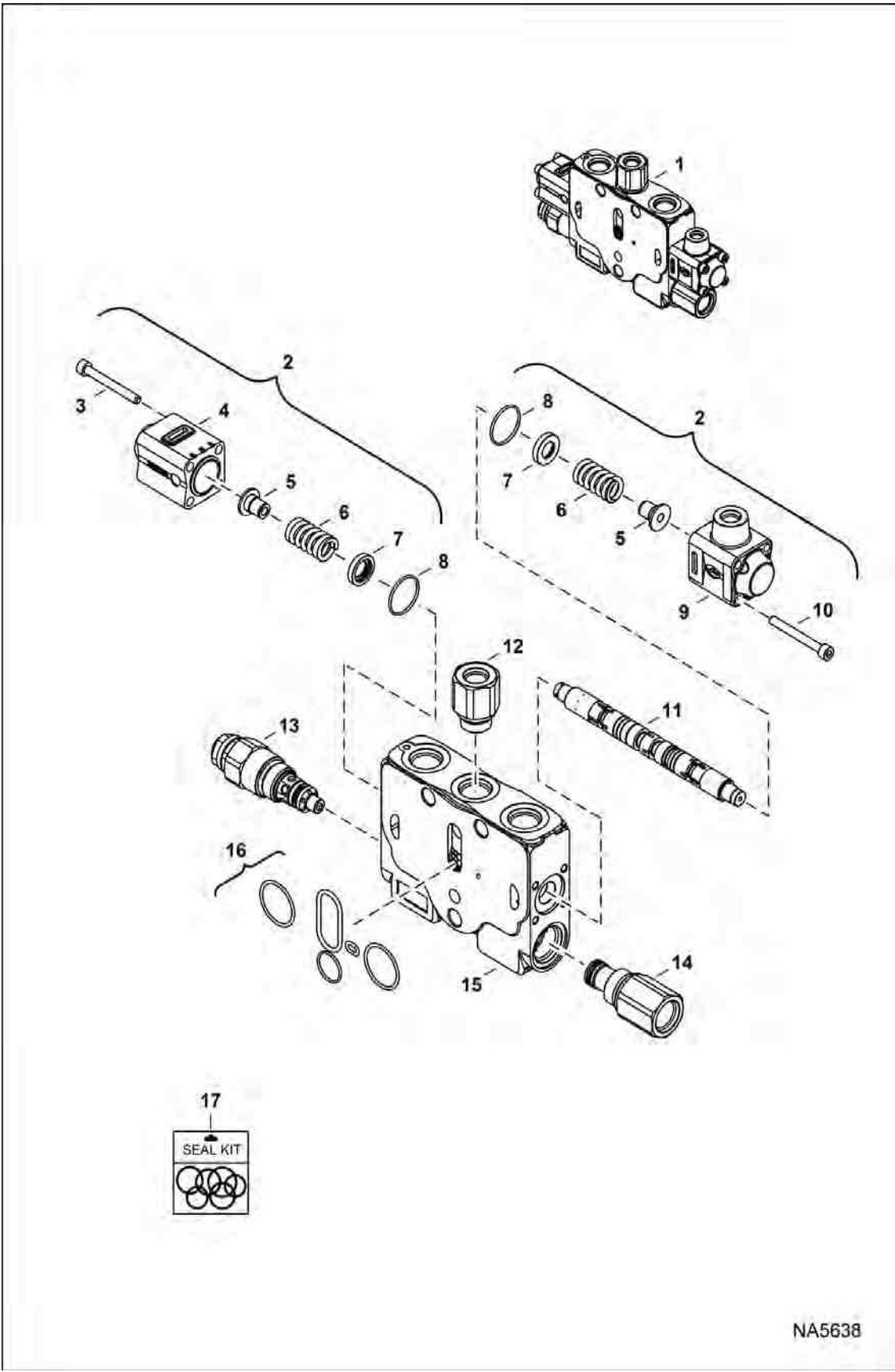


NA5637

HYDRAULIC CONTROL VALVE (Cont'd)
(Arm Section)

Ref No	Part Number	Description	Remarks	Serial Number	Qty
1	7022945	SECTION, VALVE	arm - Ref. 2-16		1
2	7022970	ACTUATOR			1
3	6682248	SCREW			8
4		BLOCK	NSS		2
5		BUSHING	NSS		2
6		SPRING	NSS		2
7		BUSHING	NSS		2
8		O-RING	NSS		2
9		SPOOL	NSS		1
10	6680092	VALVE, LOCK LOAD			1
11	7022966	PLUG			2
12		CAP	NSS		2
13		SPRING	NSS		2
14		VALVE	NSS		2
15		BLOCK	NSS		1
16		KIT, SEAL	NSS		1
17	7022973	KIT, SEAL			1

HYDRAULIC CONTROL VALVE (Right Travel Section)

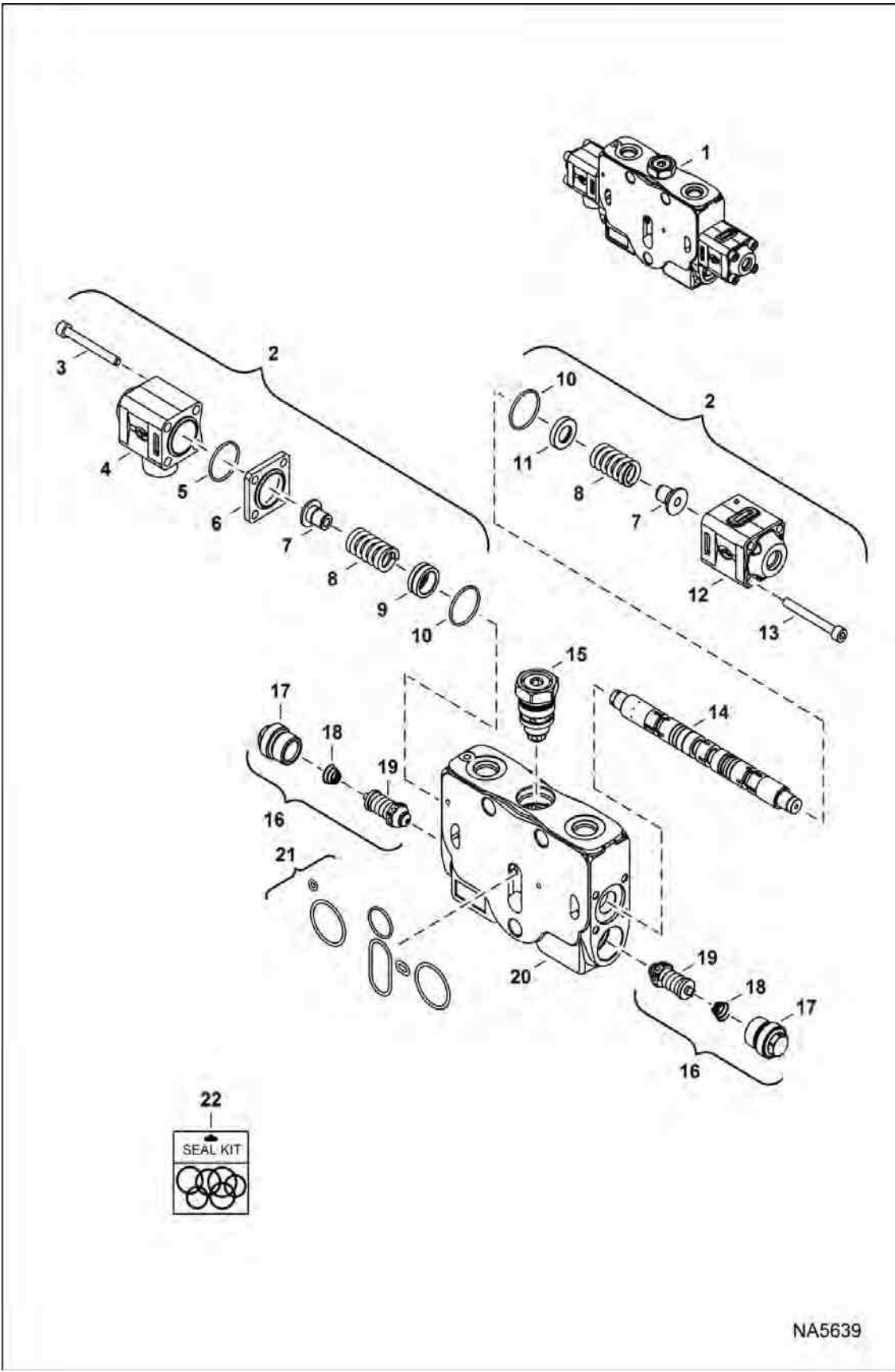


NA5638

HYDRAULIC CONTROL VALVE (Cont'd)
(Right Travel Section)

Ref No	Part Number	Description	Remarks	Serial Number	Qty
1	7022946	SECTION, VALVE	right travel - Ref. 2-16		1
2	7022961	ACTUATOR			1
3	6682247	SCREW			4
4		BLOCK	NSS		1
5		BUSHING	NSS		2
6		SPRING	NSS		2
7		BUSHING	NSS		2
8		O-RING	NSS		2
9		BLOCK	NSS		1
10	6682248	SCREW			4
11		SPOOL	NSS		1
12	7022968	FITTING, HYD CONNECTOR			1
13	7022969	VALVE, RELIEF			1
14	6680119	ASSY, PLUG			1
15		BLOCK	NSS		1
16		KIT, SEAL	NSS		1
17	7022974	KIT, SEAL			1

HYDRAULIC CONTROL VALVE (Bucket Section)

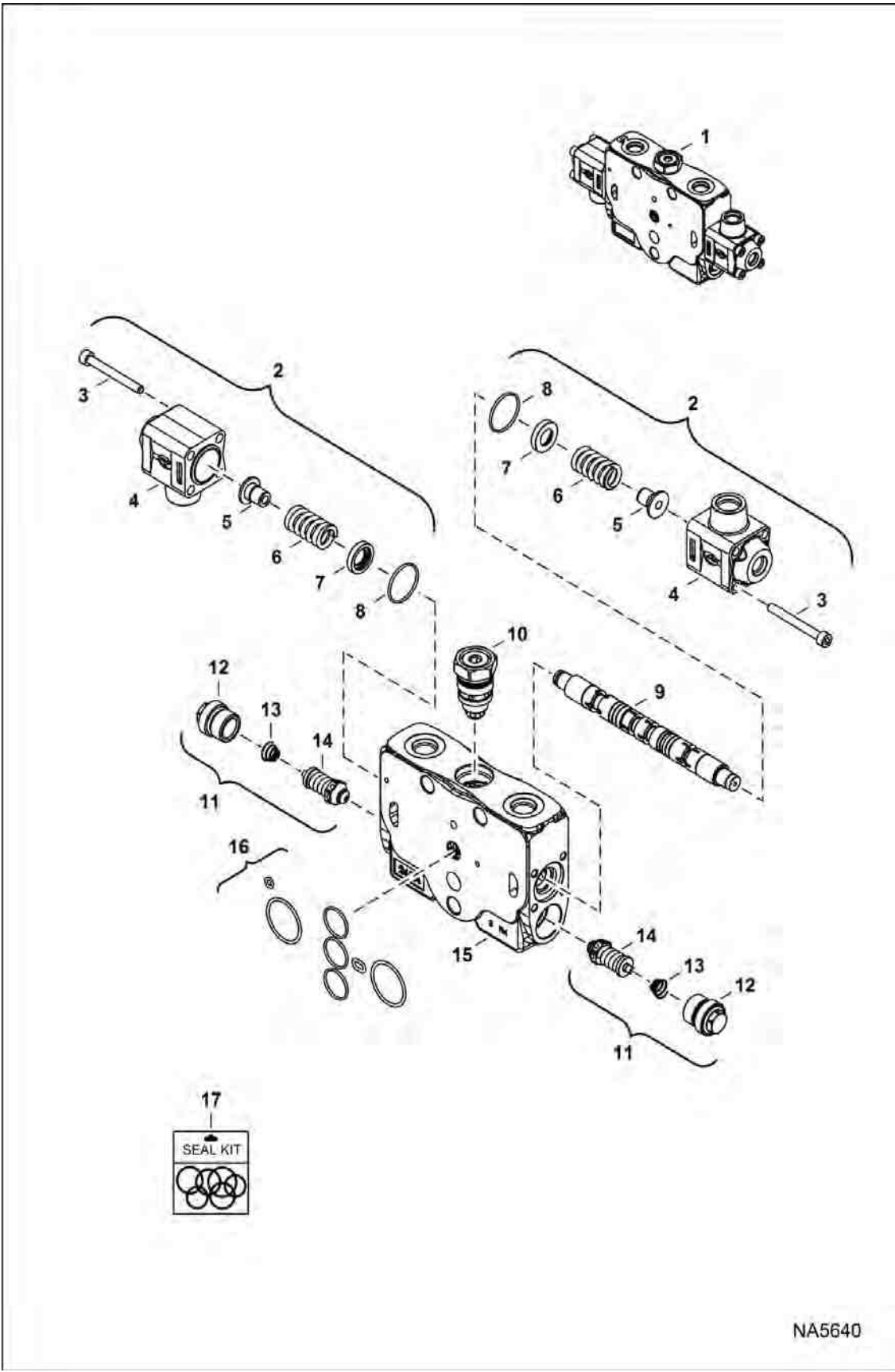


NA5639

HYDRAULIC CONTROL VALVE (Cont'd)
(Bucket Section)

Ref No	Part Number	Description	Remarks	Serial Number	Qty
1	7022947	SECTION, VALVE	bucket - Ref. 2-16		1
2	7022965	ACTUATOR			1
3	6682247	SCREW			4
4		BLOCK	NSS		1
5		O-RING	NSS		1
6		PLATE	NSS		1
7		BUSHING	NSS		2
8		SPRING	NSS		2
9		BUSHING	NSS		1
10		O-RING	NSS		2
11		BUSHING	NSS		1
12		BLOCK	NSS		1
13	6682248	SCREW			4
14		SPOOL	NSS		1
15	7022963	PLUG			1
16	6921052	KIT, VALVE			2
17		CAP	NSS		2
18		SPRING	NSS		2
19		VALVE	NSS		2
20		BLOCK	NSS		1
21		KIT, SEAL	NSS		1
22	7022975	KIT, SEAL			1

HYDRAULIC CONTROL VALVE (Boom Section)

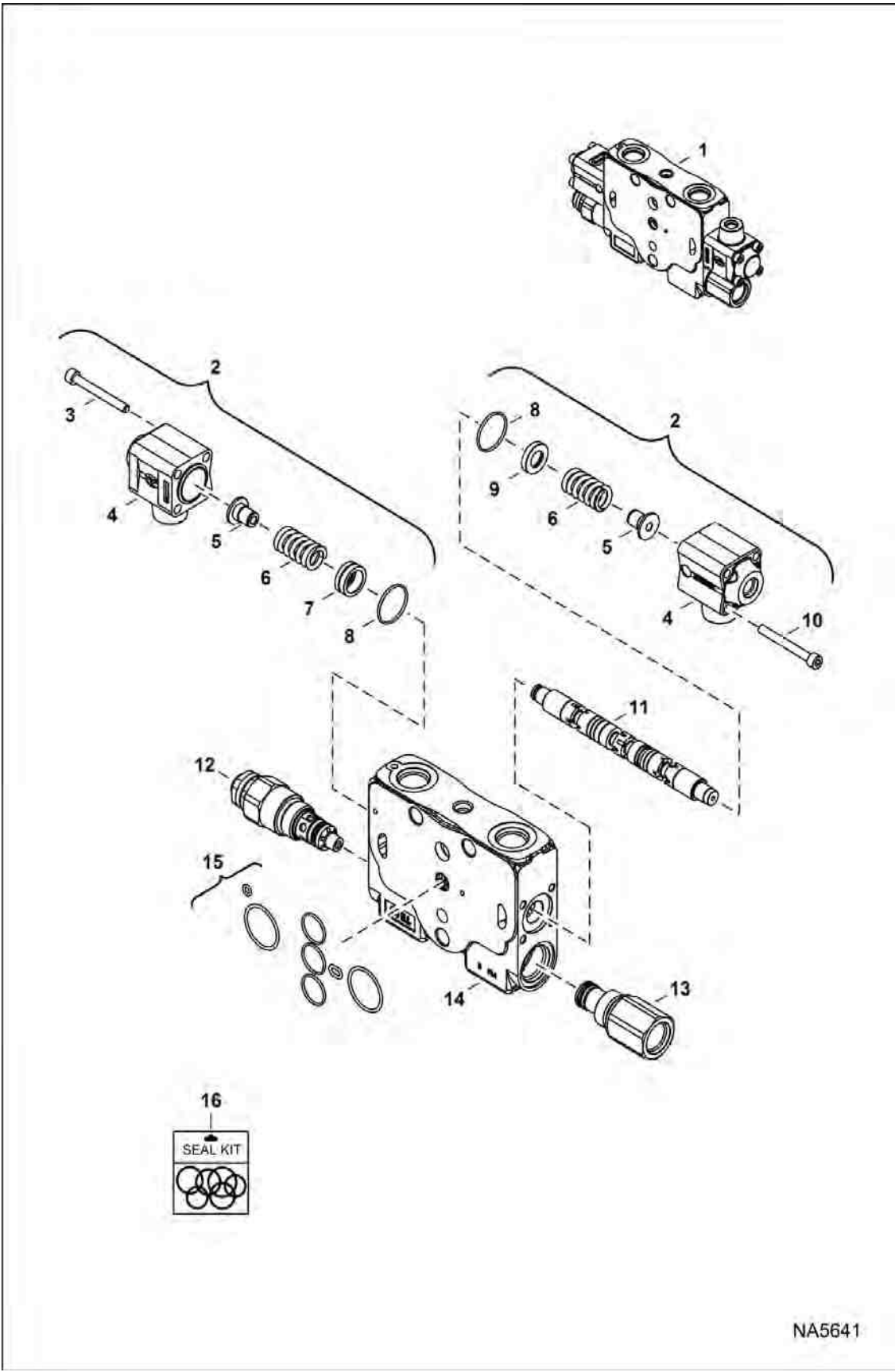


NA5640

HYDRAULIC CONTROL VALVE (Cont'd)
(Boom Section)

Ref No	Part Number	Description	Remarks	Serial Number	Qty
1	7022948	SECTION, VALVE	boom - Ref. 2-16		1
2	7022964	ACTUATOR			1
3	6682248	SCREW			8
4		BLOCK	NSS		2
5		BUSHING	NSS		2
6		SPRING	NSS		2
7		BUSHING	NSS		2
8		O-RING	NSS		2
9		SPOOL	NSS		1
10	7022963	PLUG			1
11	7022966	PLUG			2
12		CAP	NSS		2
13		SPRING	NSS		2
14		VALVE	NSS		2
15		BLOCK	NSS		1
16		KIT, SEAL	NSS		1
17	7022976	KIT, SEAL			1

HYDRAULIC CONTROL VALVE (Left Travel Section)

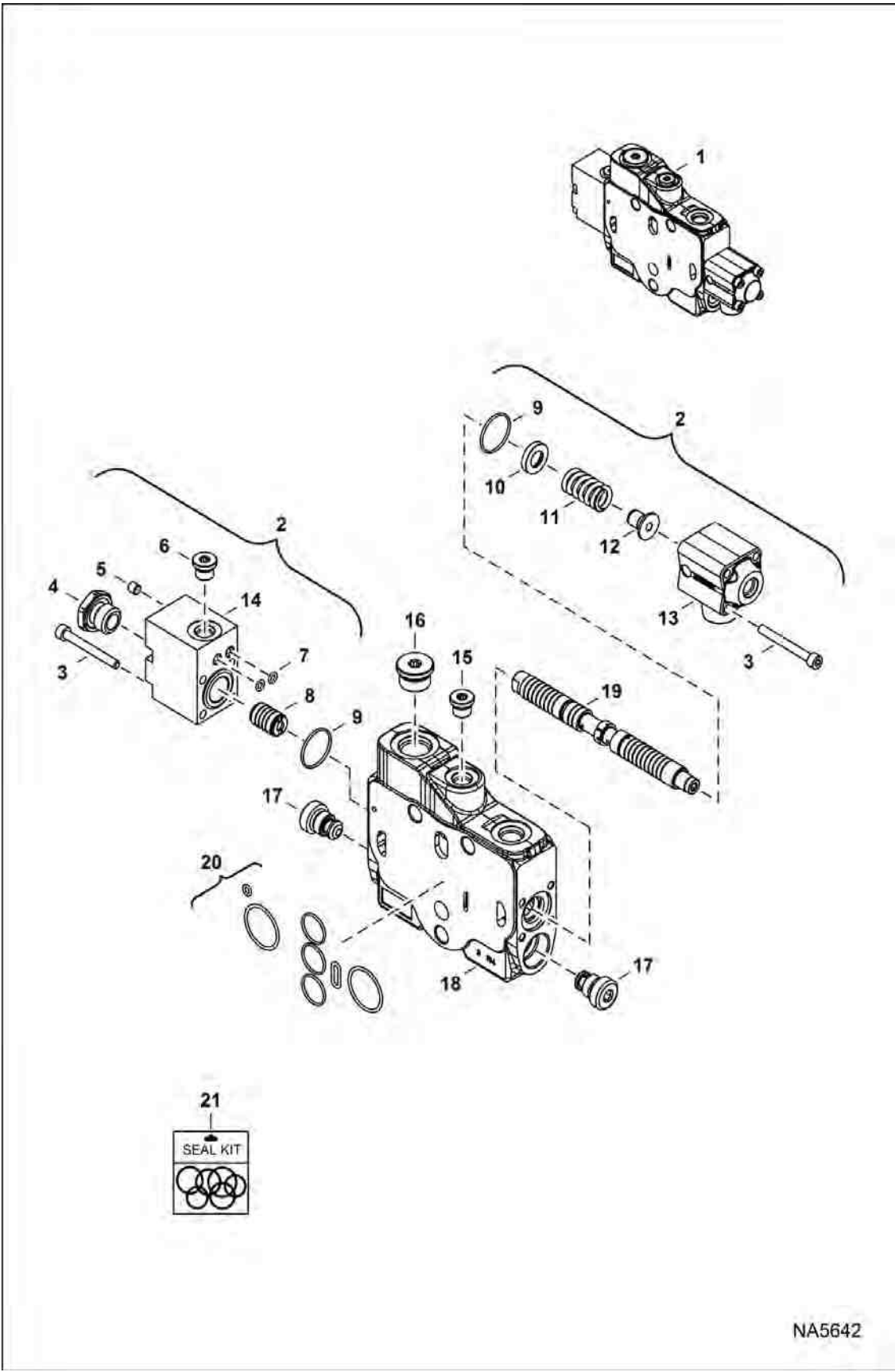


NA5641

HYDRAULIC CONTROL VALVE (Cont'd)
(Left Travel Section)

Ref No	Part Number	Description	Remarks	Serial Number	Qty
1	7022949	SECTION, VALVE	left travel - Ref. 2-15		1
2	7022961	ACTUATOR			1
3	6682247	SCREW			4
4		BLOCK	NSS		2
5		BUSHING	NSS		2
6		SPRING	NSS		2
7		BUSHING	NSS		1
8		O-RING	NSS		2
9		BUSHING	NSS		1
10	6682248	SCREW			4
11		SPOOL	NSS		1
12	7022969	VALVE, RELIEF			1
13	6680119	ASSY, PLUG			1
14		BLOCK	NSS		1
15		KIT, SEAL	NSS		1
16	7022977	KIT, SEAL			1

HYDRAULIC CONTROL VALVE
(Boost Section)
(S/N AB8B11001 - AB8B12249)



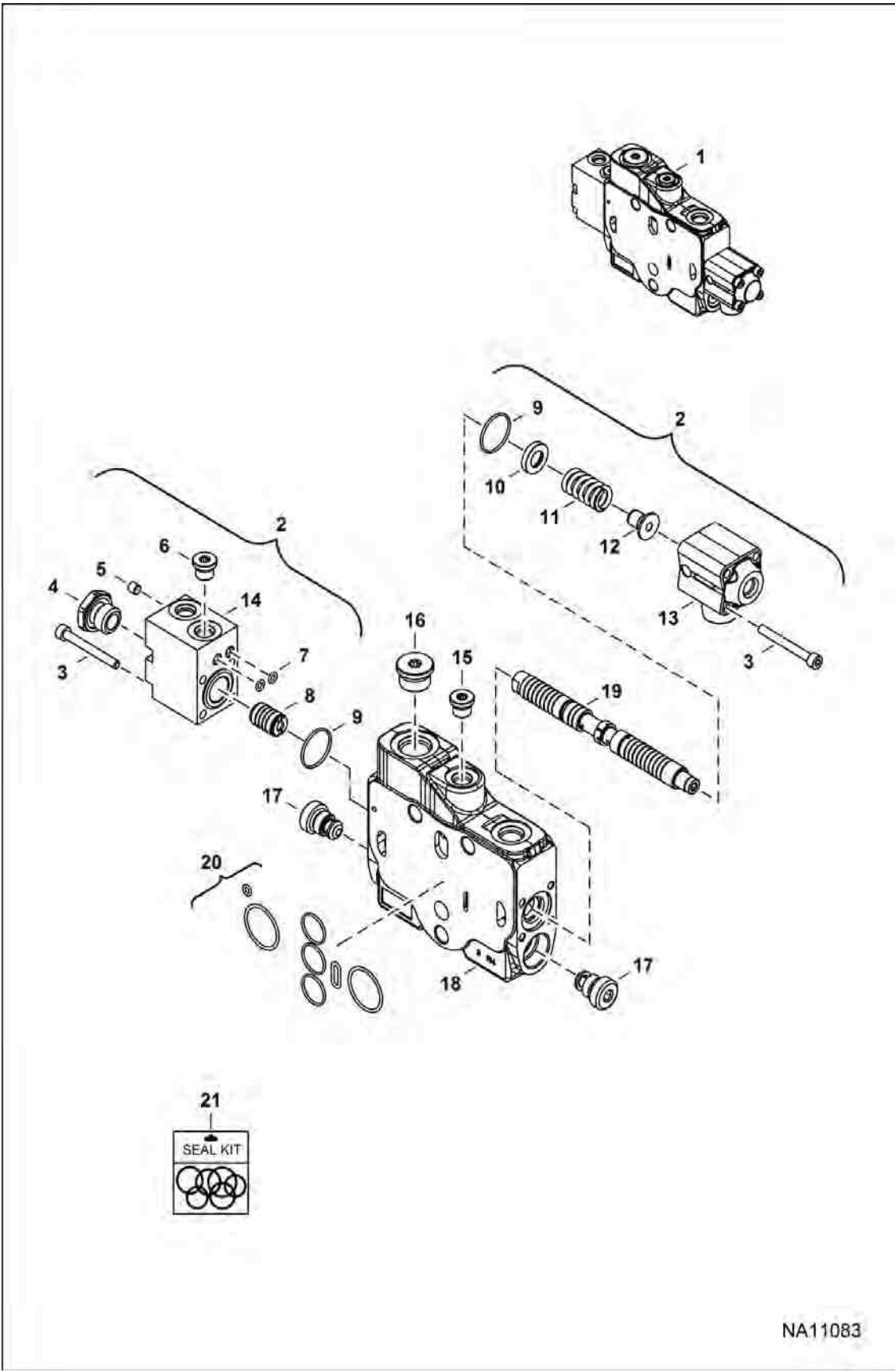
NA5642

HYDRAULIC CONTROL VALVE (Cont'd)

(Boost Section)
(S/N AB8B11001 - AB8B12249)

Ref No	Part Number	Description	Remarks	Serial Number	Qty
1	7022950	SECTION, VALVE	boost - Ref. 2-20		1
2	7022960	ACTUATOR			1
3	6682248	SCREW			8
4		PLUG	NSS		1
5		ORIFICE	NSS		1
6	6686236	PLUG			1
7		O-RING	NSS		2
8		PISTON	NSS		1
9		O-RING	NSS		2
10		BUSHING	NSS		1
11		SPRING	NSS		1
12		BUSHING	NSS		1
13		BLOCK	NSS		1
14		BLOCK	NSS		1
15	6686236	PLUG			1
16	6679600	PLUG			1
17	6680092	VALVE, LOCK LOAD			2
18		BLOCK	NSS		1
19		SPOOL	NSS		1
20		KIT, SEAL	NSS		1
21	7022978	KIT, SEAL			1

HYDRAULIC CONTROL VALVE
(Boost Section)
(S/N AB8B12250 & ABOVE)



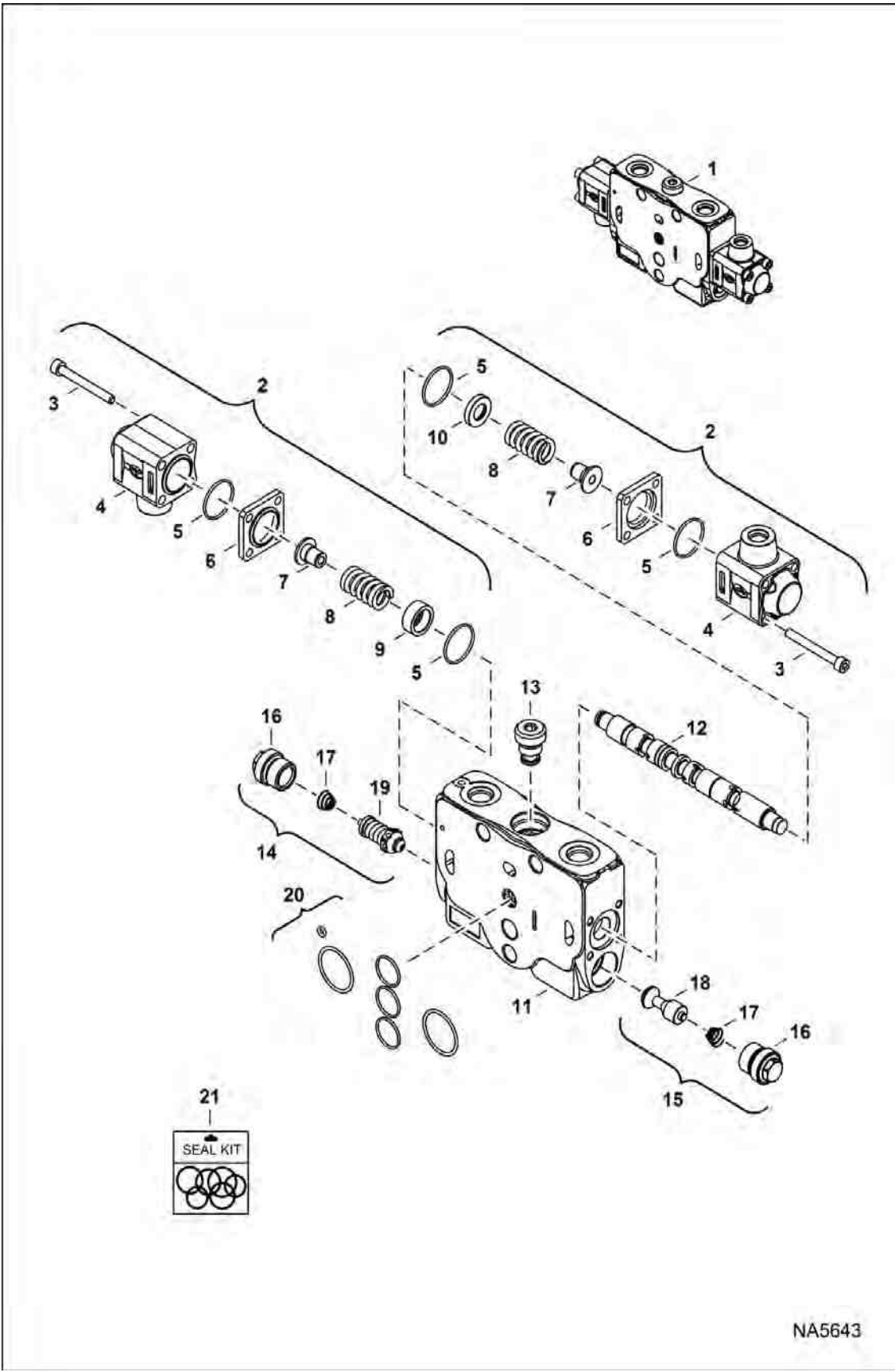
NA11083

HYDRAULIC CONTROL VALVE (Cont'd)

(Boost Section)
(S/N AB8B12250 & ABOVE)

Ref No	Part Number	Description	Remarks	Serial Number	Qty
1	7286379	SECTION VALVE	boost - Ref. 2-20		1
2	7022960	ACTUATOR			1
3	6682248	SCREW			8
4		PLUG	NSS		1
5		ORIFICE	NSS		1
6	6686236	PLUG			2
7		O-RING	NSS		2
8		PISTON	NSS		1
9		O-RING	NSS		2
10		BUSHING	NSS		1
11		SPRING	NSS		1
12		BUSHING	NSS		1
13		BLOCK	NSS		1
14		BLOCK	NSS		1
15	6686236	PLUG			1
16	6679600	PLUG			1
17	6680092	VALVE, LOCK LOAD			2
18		BLOCK	NSS		1
19		SPOOL	NSS		1
20		KIT, SEAL	NSS		1
21	7022978	KIT, SEAL			1

HYDRAULIC CONTROL VALVE (Blade Section)

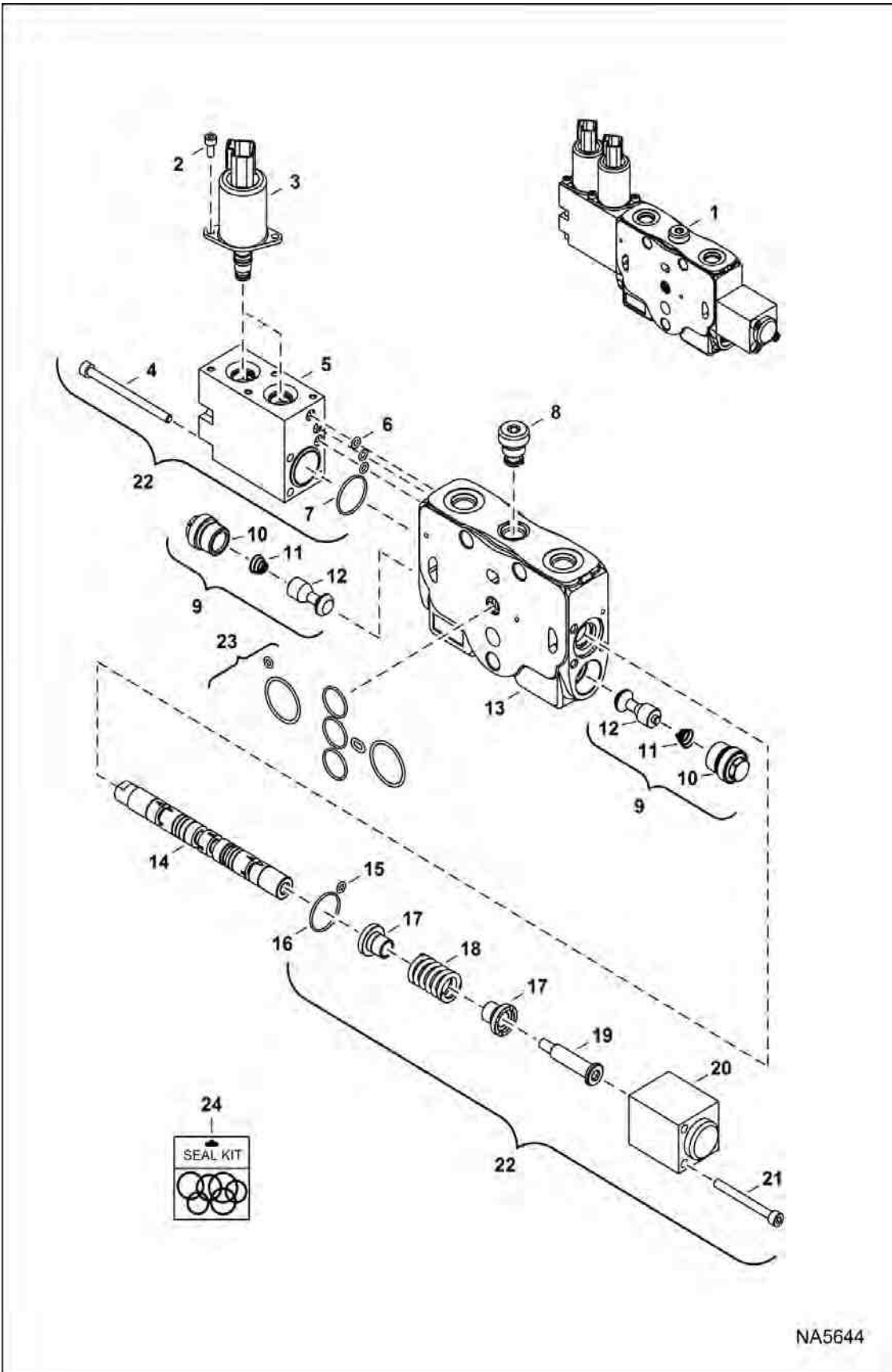


NA5643

HYDRAULIC CONTROL VALVE (Cont'd)
(Blade Section)

Ref No	Part Number	Description	Remarks	Serial Number	Qty
1	7022951	SECTION, VALVE	blade - Ref. 2-20		1
2	7022959	ACTUATOR			1
3	6682247	SCREW			8
4		BLOCK	NSS		2
5		O-RING	NSS		4
6		PLATE	NSS		2
7		BUSHING	NSS		2
8		SPRING	NSS		2
9		BUSHING	NSS		1
10		BUSHING	NSS		1
11		BLOCK	NSS		1
12		SPOOL	NSS		1
13	6680092	VALVE, LOCK LOAD			1
14	6686073	VALVE			1
15	6680247	ASSY, VALVE			1
16		CAP	NSS		1
17		SPRING	NSS		1
18		VALVE	NSS		1
19		VALVE	NSS		1
20		KIT, SEAL	NSS		1
21	7022979	KIT, SEAL			1

HYDRAULIC CONTROL VALVE (Boom Swing Section)

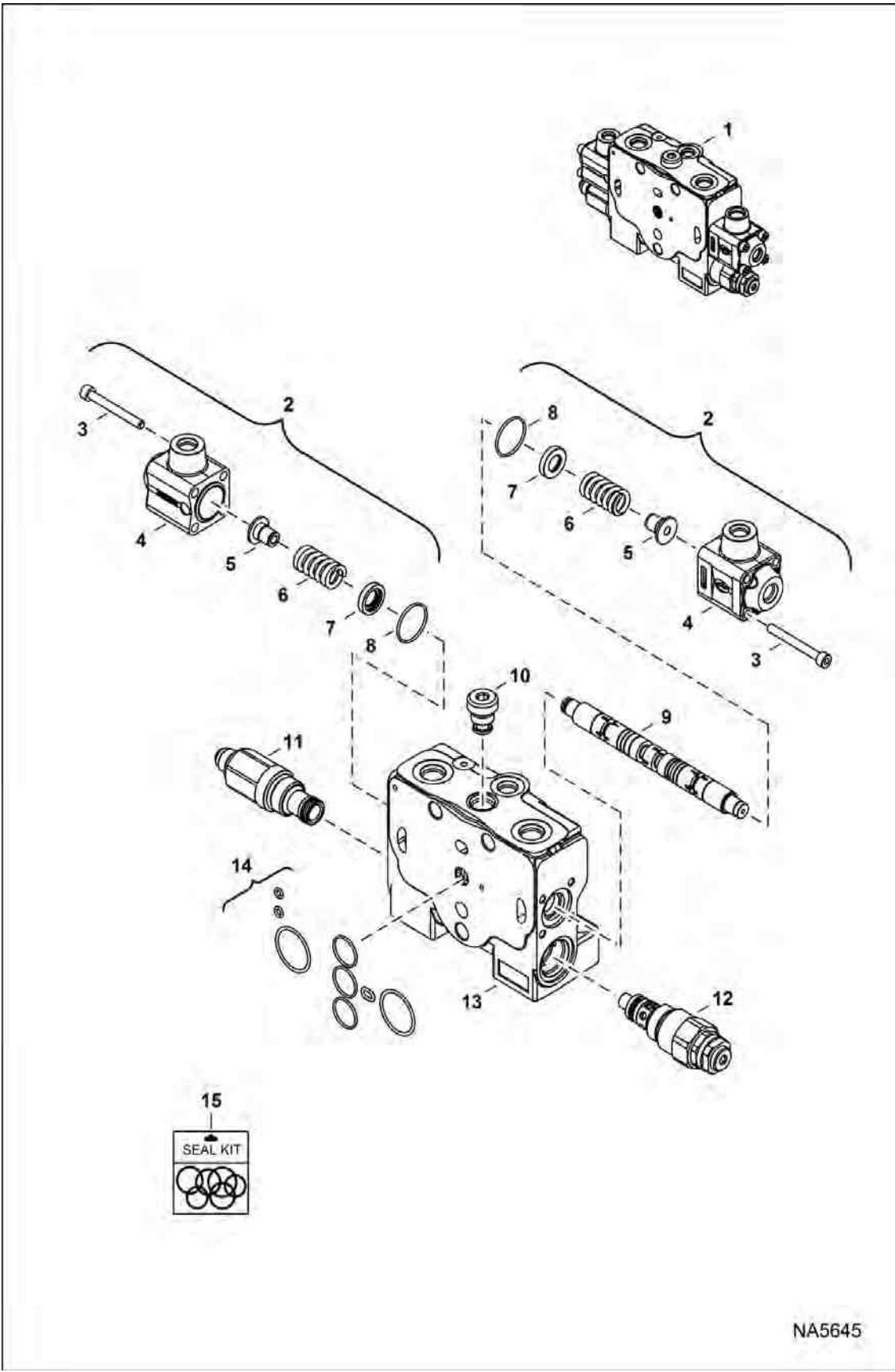


NA5644

HYDRAULIC CONTROL VALVE (Cont'd)
(Boom Swing Section)

Ref No	Part Number	Description	Remarks	Serial Number	Qty
1	7022952	SECTION, VALVE	boom swing - Ref. 2-22		1
2	6682230	SCREW			4
3	7232745	VALVE, PROPORTIONAL	Was 7010626 [A]		2
4	7022971	BOLT			4
5		BLOCK	NSS		1
6		O-RING	NSS		3
7		O-RING	NSS		1
8	6680092	VALVE, LOCK LOAD			1
9	6680247	ASSY, VALVE			2
10		CAP	NSS		2
11		SPRING	NSS		2
12		VALVE	NSS		2
13		BLOCK	NSS		1
14		SPOOL	NSS		1
15		O-RING	NSS		1
16		O-RING	NSS		1
17		BUSHING	NSS		2
18		SPRING	NSS		1
19		SCREW	NSS		1
20		BLOCK	NSS		1
21	6682247	SCREW			4
22	7022958	ACTUATOR	Ref. 2-7, & 15-21		1
23		KIT, SEAL	NSS		1
24	7022980	KIT, SEAL			1

HYDRAULIC CONTROL VALVE (Slew Section)

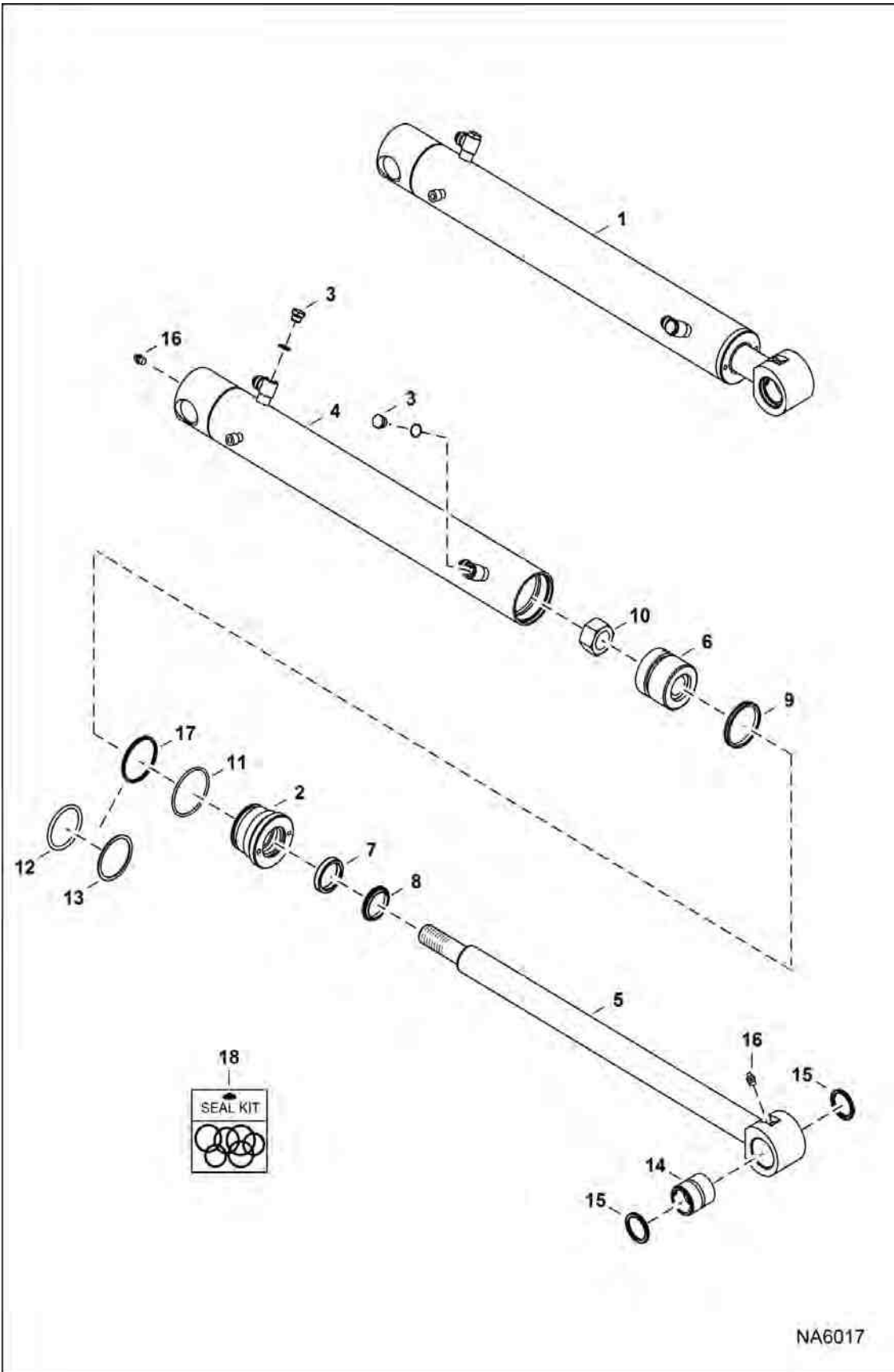


NA5645

HYDRAULIC CONTROL VALVE (Cont'd)
(Slew Section)

Ref No	Part Number	Description	Remarks	Serial Number	Qty
1	7022953	SECTION, VALVE	slew - Ref. 2-14		1
2	7022954	ACTUATOR			1
3	6682248	SCREW			8
4		BLOCK	NSS		2
5		BUSHING	NSS		2
6		SPRING	NSS		2
7		BUSHING	NSS		2
8		O-RING	NSS		2
9		SPOOL	NSS		1
10	6680092	VALVE, LOCK LOAD			1
11	7022957	VALVE, RELIEF			1
12	7022956	VALVE, RELIEF			1
13		BLOCK	NSS		1
14		KIT, SEAL	NSS		1
15	7022981	KIT, SEAL			1

ARM CYLINDER

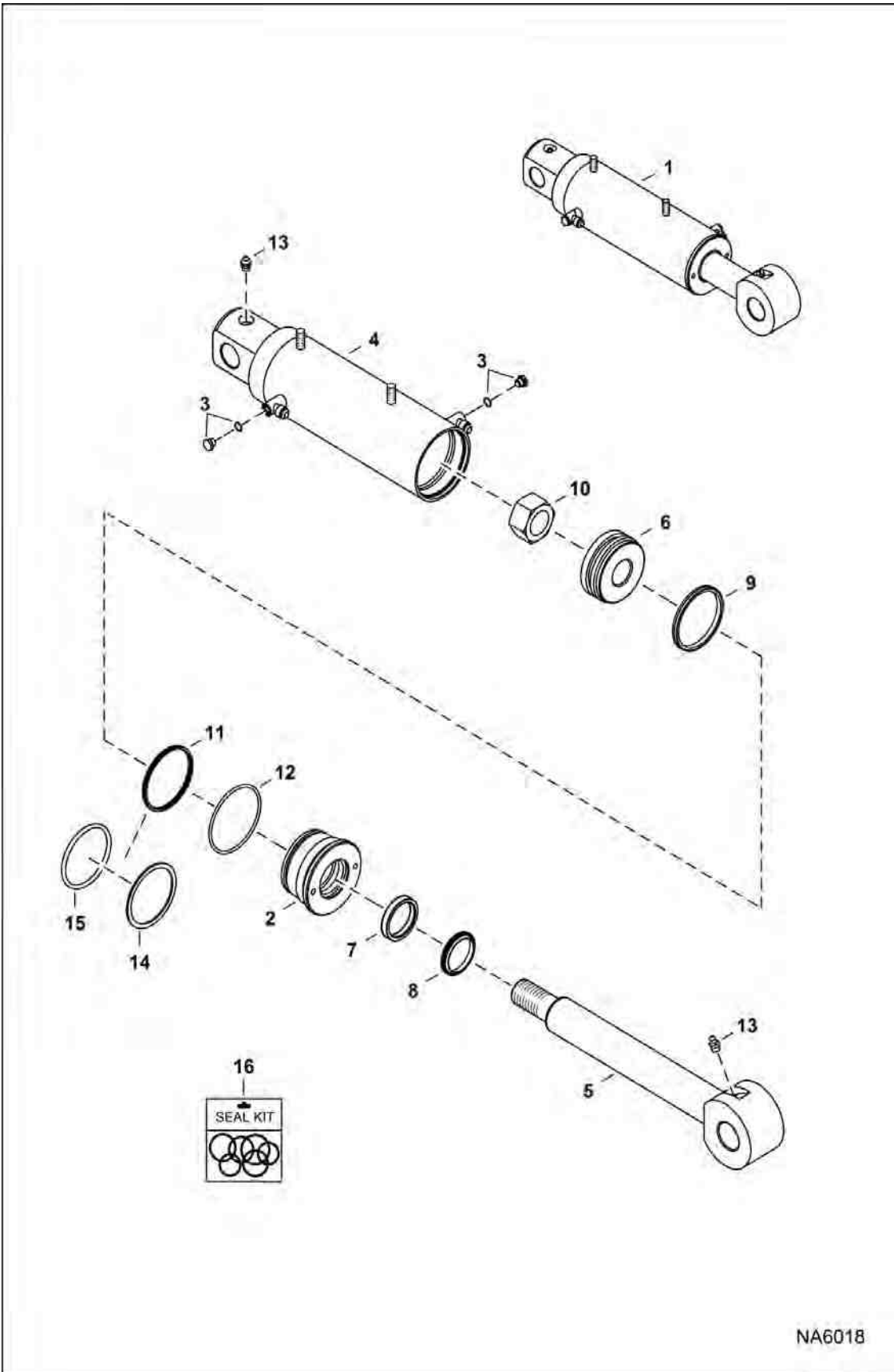


NA6017

ARM CYLINDER (Cont'd)

Ref No	Part Number	Description	Remarks	Serial Number	Qty
1	7170962	CYLINDER, ARM	Ref. 2-13 - Also Order Ref. 14-16		1
2	6800686	HEAD, CYL TILT			1
3	6812171	PLUG			2
3	75K6	O-RING			x
4	7170966	TUBE, CASE CYL	W/Ref. 3 & 11 - Also Order Ref. 16		1
5	7170965	ROD, CYL	Also Order Ref. 14-16		1
6	7171340	PISTON, CYL			1
7	6669267	SEAL			1
8	6687000	WIPER ROD			1
9	6692805	SEAL, BP			1
10	6810539	NUT			1
11	54K40224	O-RING	Was 25K40224 [A]		1
12	54K60212	O-RING	Was 25K60212 [A]		1
13	73K332	O-RING	back-up		1
14	6808246	BUSHING			1
15	6652915	SEAL, OIL			2
16	10H25	FITTING, GREASE 5			2
17		SEAL, QUAD	NLA - Order Ref. 12 & 13 - Was 7008356 [A]		1
18	7201446	KIT, SEAL	Ref. 7-13		1

BLADE CYLINDER

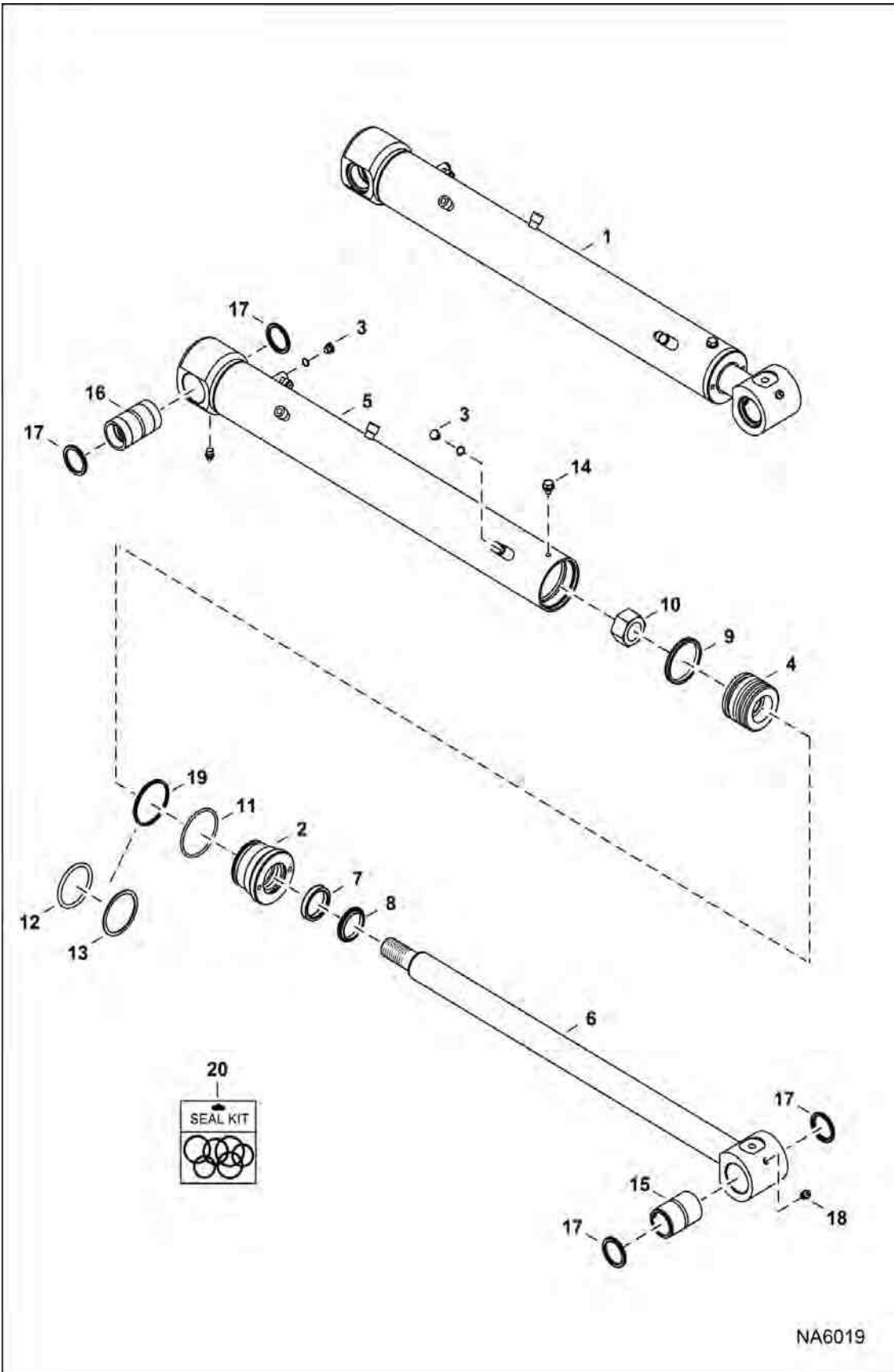


NA6018

BLADE CYLINDER (Cont'd)

Ref No	Part Number	Description	Remarks	Serial Number	Qty
1	7164575	CYLINDER, BLADE	Ref. 2-12 - Also Order Ref. 13		1
2	6586570	HEAD			1
3	6812170	PLUG			2
3	75K3	RING,O			x
4	7164577	TUBE, CASE CYL	W/Ref. 3 & 12 - Also Order Ref. 13		1
5		ROD, CYL	Also Order Ref. 13 NLA - Was 7164579		1
6	7166329	PISTON			1
7	6667327	SEAL,ROD			1
8	6686999	WIPER, ROD CYL			1
9	6692326	SEAL, BP			1
10	6810540	NUT			1
11		SEAL, QUAD	NLA - Order Ref. 14 & 15 - Was 7008354 [A]		1
12	82K236	RING,O			1
13	10H25	FITTING, GREASE 5			2
14	54K40300	O-RING	Was 25K40300 [A]		1
15	73K234	RING, BACK-UP			1
16	7147833	KIT, SEAL CYLINDER	Ref. 7-12, 14 & 15		1

BOOM CYLINDER

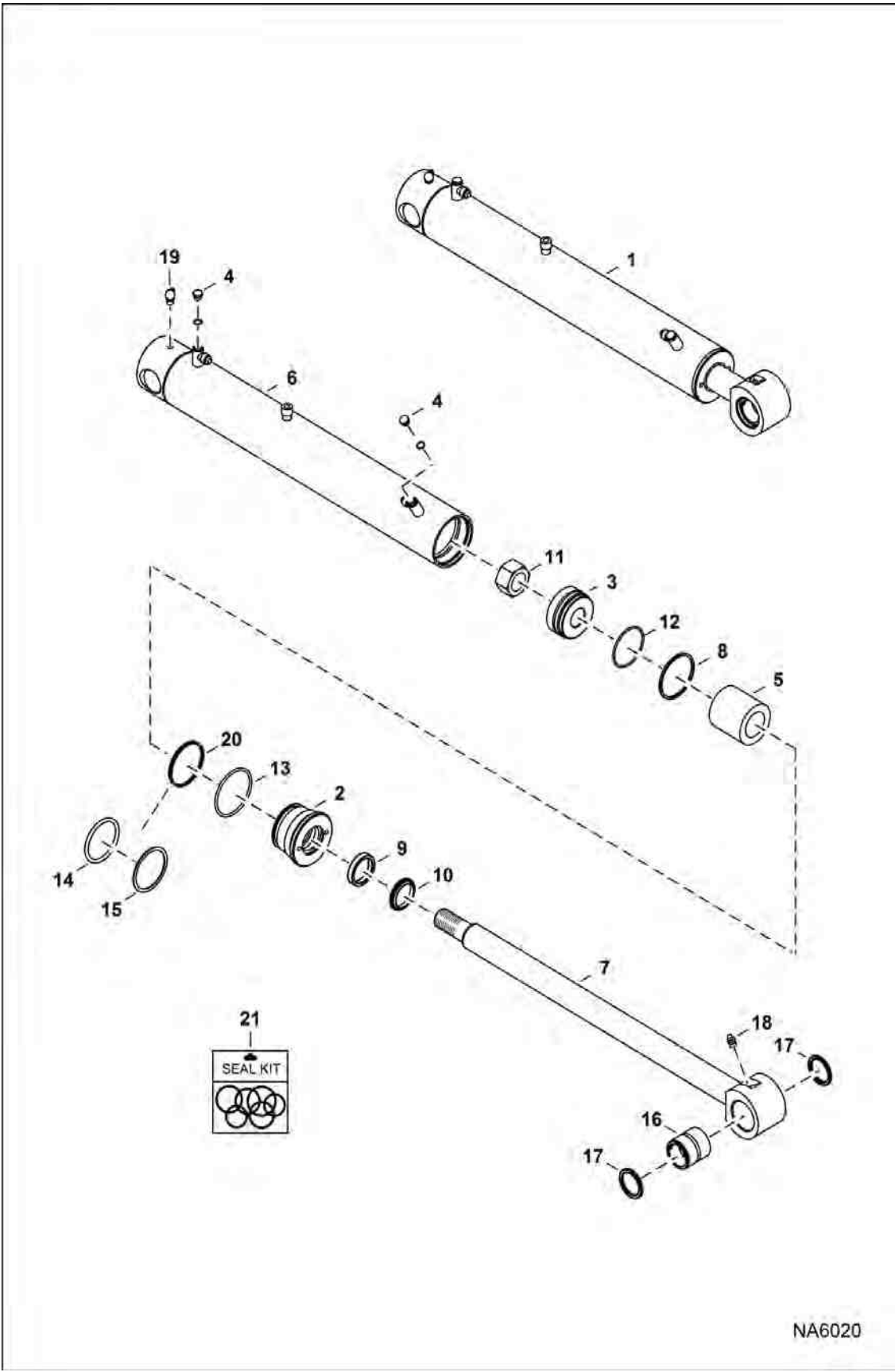


NA6019

BOOM CYLINDER (Cont'd)

Ref No	Part Number	Description	Remarks	Serial Number	Qty
1	7206476	CYLINDER, BOOM	Ref. 2-14 - Also Order Ref. 15-18		1
2	7206039	HEAD, CYL HYD			1
3	6812170	PLUG			2
3	75K3	RING,O			x
4	7170501	PISTON, CYL			1
5	7206477	TUBE, CASE CYL	W/Ref. 3, 11, & 14 - Also Order Ref. 17-19		1
6	7170505	ROD, CYL	Also Order Ref. 15, 17 & 18		1
7	6669267	SEAL			1
8	6687000	WIPER ROD			1
9	6692805	SEAL, BP			1
10	6810539	NUT			1
11	54K40224	O-RING	Was 25K40224 [A]		1
12	54K60212	O-RING	Was 25K60212 [A]		1
13	73K332	O-RING	back-up		1
14	7017857	SET SCREW			1
15	6808271	BUSHING			1
16	7164480	BUSHING, WEAR			1
17	6652915	SEAL, OIL			4
18	10H25	FITTING, GREASE 5			2
19		SEAL, QUAD	NLA - Order Ref. 12 & 13 - Was 7008356 [A]		1
20	7201446	KIT, SEAL	Ref. 7-13		1

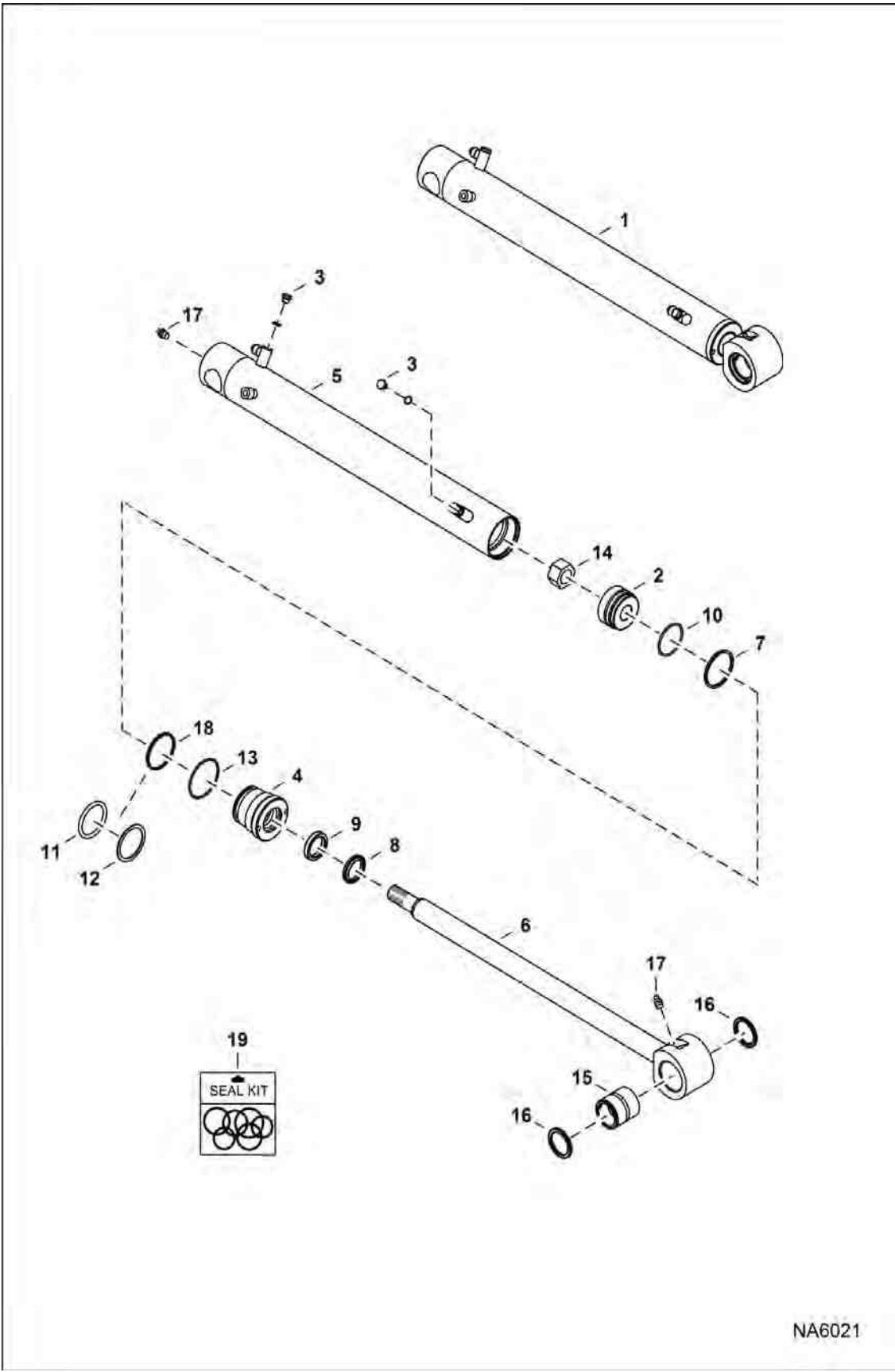
BOOM SWING CYLINDER



BOOM SWING CYLINDER (Cont'd)

Ref No	Part Number	Description	Remarks	Serial Number	Qty
1	7188883	CYLINDER, SWING	Ref. 2-15 - Also Order Ref. 16-19		1
2	6586718	HEAD, CYL TILT	Was 7214661 [A]		1
3	6588680	PISTON			1
4	6812170	PLUG			1
4	75K3	RING,O			x
5		SPACER	NLA - Was 7152125		1
6	7188894	TUBE, CASE CYL	W/Ref. 4 & 13 - Also Order Ref. 19		1
7	7188908	ROD, CYL	Also Order Ref. 16-18		1
8	6516229	SEAL, PISTON			1
9	6667326	SEAL			1
10	6690707	WIPER, ROD CYL			1
11	6810539	NUT			1
12	54K30210	O-RING	Was 25K30210 [A]		1
13	54K40224	O-RING	Was 25K40224 [A]		1
14	54K60212	O-RING	Was 25K60212 [A]		1
15	73K332	O-RING	back-up		1
16	6808246	BUSHING			1
17	6652915	SEAL, OIL			2
18	10H25	FITTING, GREASE 5			1
19	12H15	FITTING, GREASE 5	Was 83F3 [B]		1
20		SEAL, QUAD	NLA - Order Ref. 14 & 15 - Was 7008356 [A]		1
21	7199903	KIT, SEAL	Ref. 8-15		1

BUCKET CYLINDER

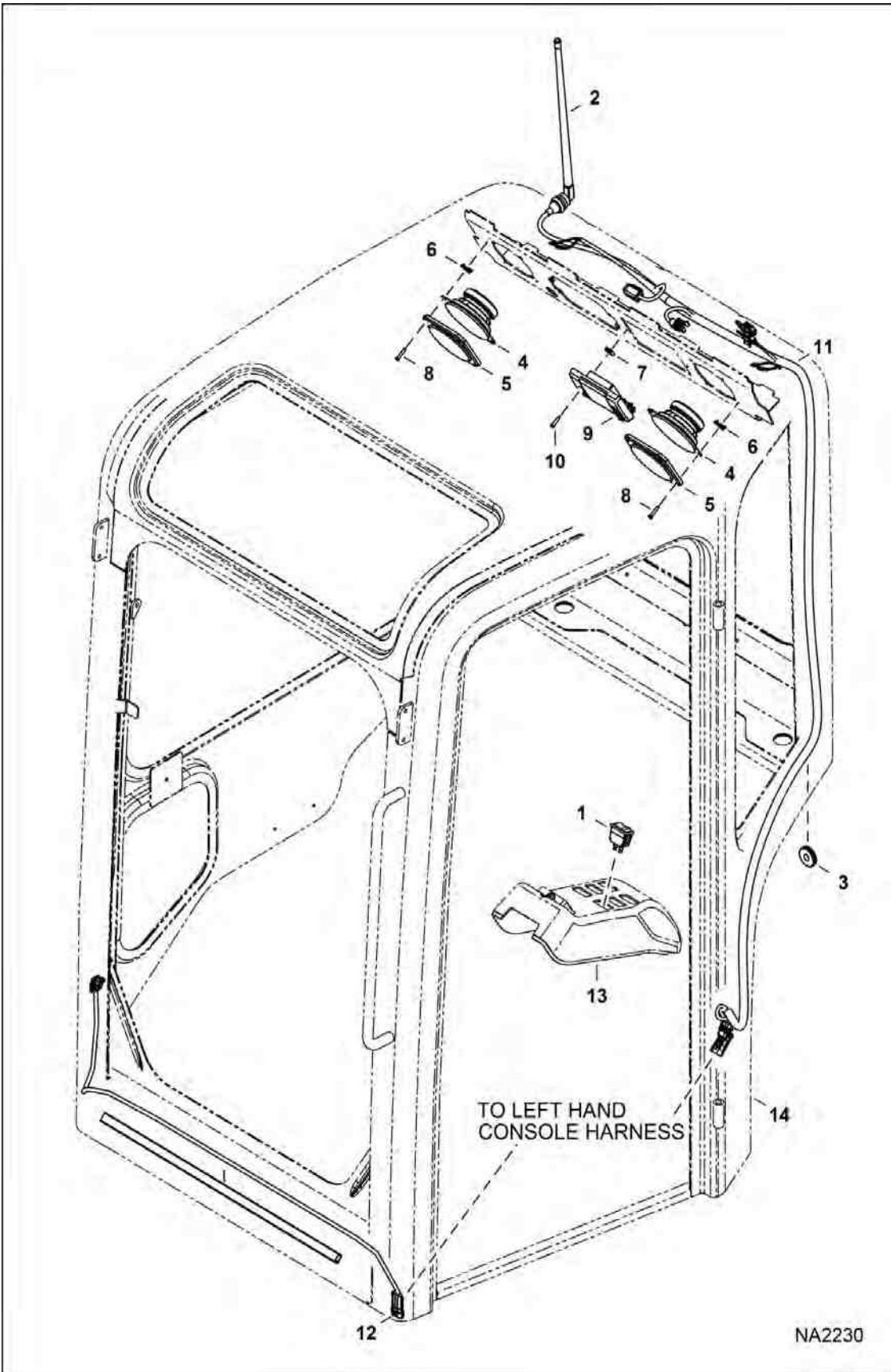


NA6021

BUCKET CYLINDER (Cont'd)

Ref No	Part Number	Description	Remarks	Serial Number	Qty
1	7159406	CYLINDER, BUCKET	Ref. 2-15 - Also Order Ref. 16-17		1
2	6808611	PISTON			1
3	6812170	PLUG			2
4	7106798	HEAD			1
5	7159410	TUBE, CASE CYL	W/Ref. 3 & 13 - Also Order Ref. 17		1
6	7159409	ROD, CYL ASSY	W/Ref. 15-17		1
7	6519328	RING, SEAL			1
8	6665208	WIPER, ROD CYL			1
9	6667324	SEAL			1
10	54K30126	O-RING	Was 25K30126 [B]		1
11	54K60128	O-RING	Was 25K60128 [A]		1
12	73K328	RING			1
13	82K140	RING,O			1
14	92D14	NUT			1
15	6808246	BUSHING			1
16	6652915	SEAL, OIL			2
17	10H25	FITTING, GREASE 5			2
18		SEAL. QUAD	NLA - Order Ref. 11 & 12 - Was 7207334 [A]		1
19	7137786	KIT, SEAL	Ref. 7-14		1

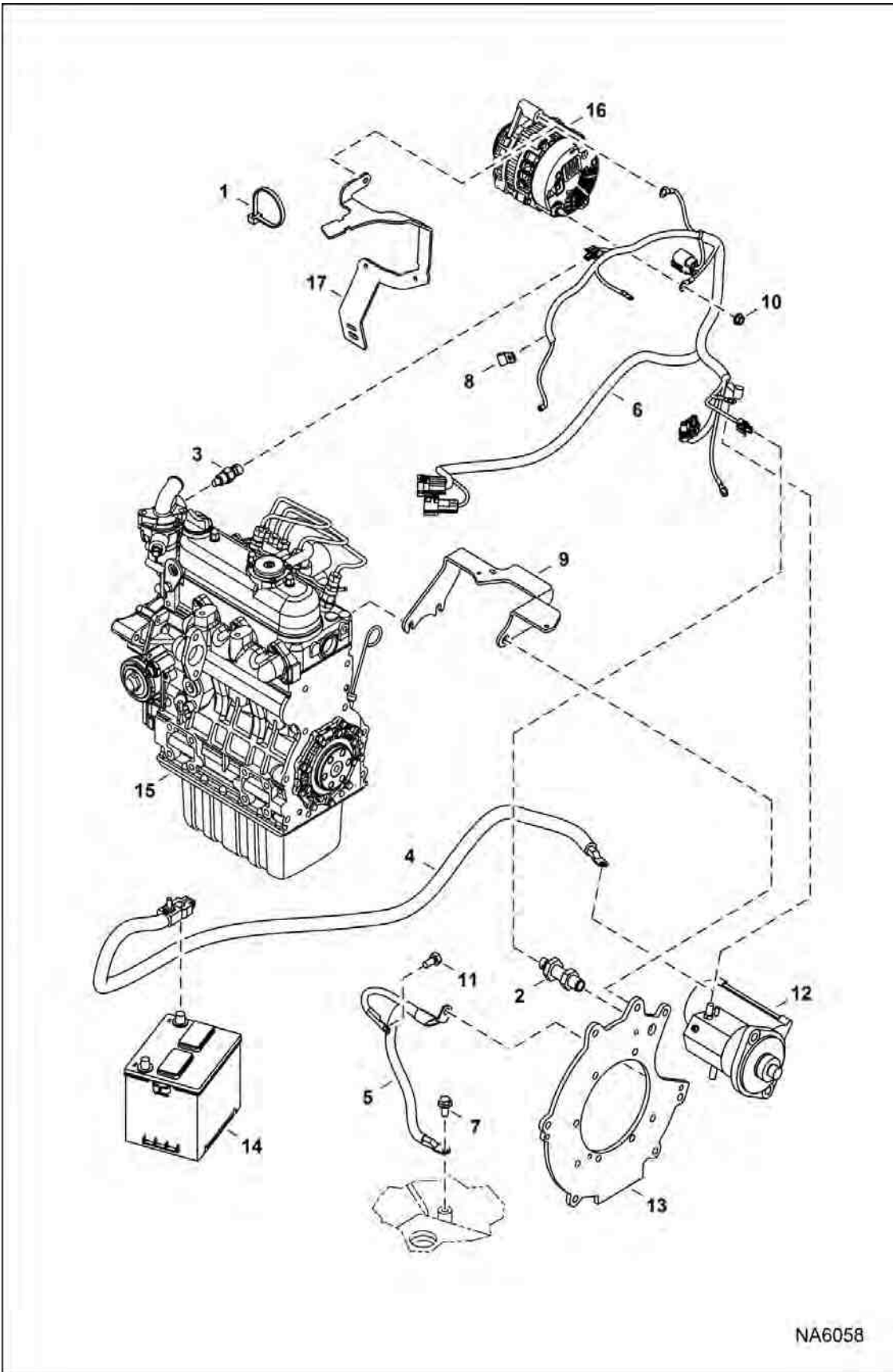
CAB ELECTRICAL CIRCUITRY



CAB ELECTRICAL CIRCUITRY (Cont'd)

Ref No	Part Number	Description	Remarks	Serial Number	Qty
1	6671113	SWITCH			1
2	6676114	ANTENNA, RADIO			1
2	7228598	PLUG	if equipped		1
3	6682697	GROMMET			1
4	6903211	SPEAKER, 4 INCH			2
5	6685607	GRILLE			2
6	6685744	NUT			8
7	7142762	CLIP			2
8	7163690	SCREW			8
9	7166629	LIGHT, CAB HEADLINER	2 position switch - Use W/ 7179100 headliner & Ref. 11 (7171741 harness)	AB8B11001 - AB8B11196	1
9	7229539	LIGHT, CAB HEADLINER	Use W/ 7232300 headliner & Ref. 11 (7232548 harness) or W/ 7232868 headliner & Ref. 11 (7225809 harness)	AB8B11197 & Above	1
10	7170114	SCREW			2
11	7171741	HARNESS, CAB	Use W/ 7179100 headliner & Ref. 9 (7166629 light)	AB8B11001 - AB8B11196	1
11	7232548	HARNESS, CAB	Use W/ 7232300 headliner & Ref. 9 (7229539 light)	AB8B11197 - AB8B11999	1
11	7225809	HARNESS, CAB	Use W/ 7232868 headliner & Ref. 9(7229539 light)	AB8B12000 & Above	1
12	7171777	HARNESS, WIPER			1
13		COVER, LH	See Illustration CONTROL CONSOLE / NA6054		1
14		CAB, W/A	See Illustration OPERATOR CAB / NA6030	(AB8B11001 - AB8B)	1
14		CAB, W/A		AB8B & Above	1

ENGINE ELECTRICAL CIRCUITRY

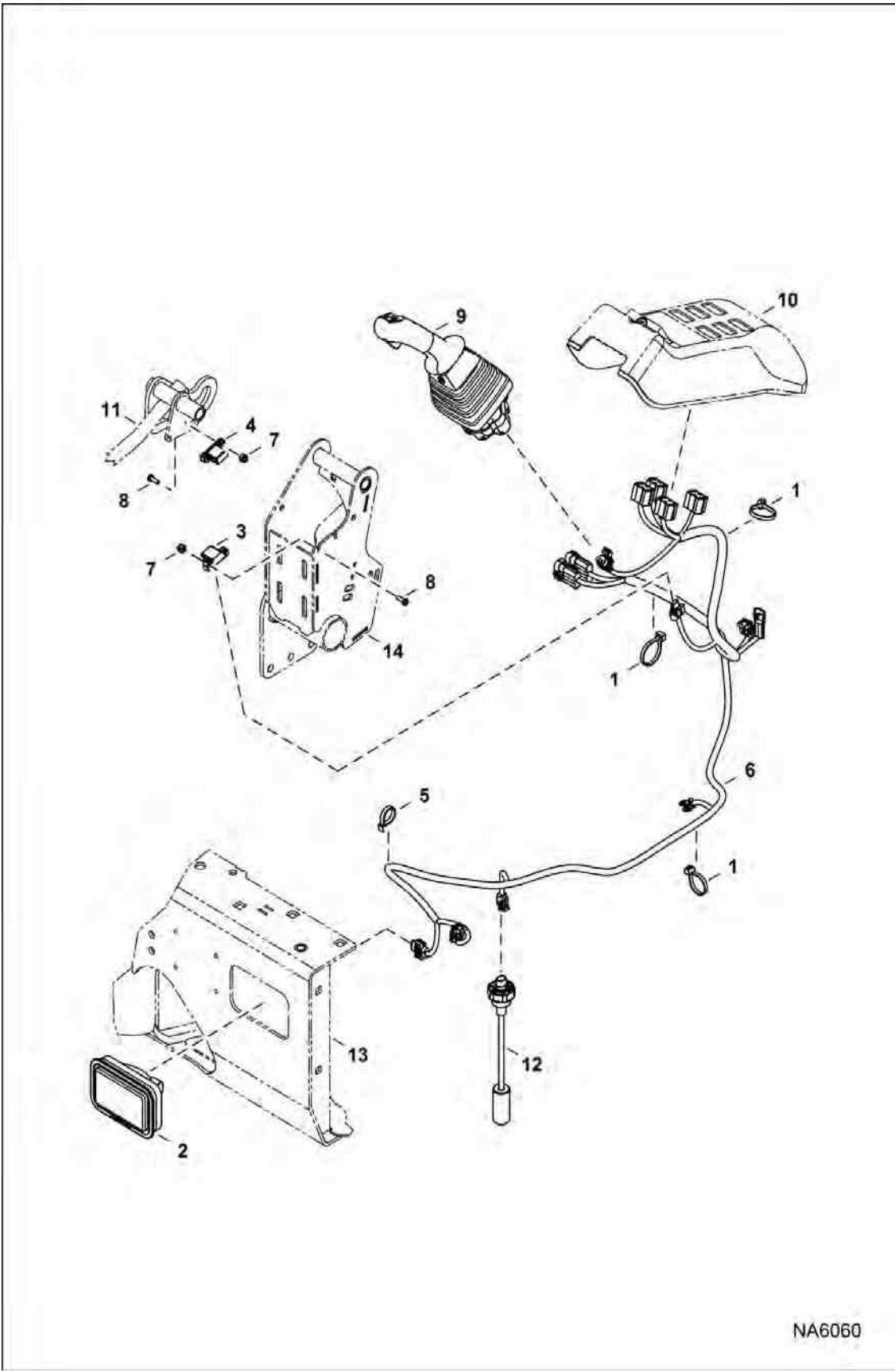


NA6058

ENGINE ELECTRICAL CIRCUITRY (Cont'd)

Ref No	Part Number	Description	Remarks	Serial Number	Qty
1	6624289	STRAP, TIE			6
2	6693921	SENSOR, RPM			1
3	6718414	SENDER, TEMP ENG			1
4	7161920	CABLE, POSITIVE			1
4	7306371	CABLE BATTERY POSITIVE			1
5	7161922	CABLE, NEGATIVE			1
6	7195838	HARNESS, ENG			1
7	29CM1020	SCREW HEX 10MMX20MM			1
8	30H22	CLIP INSULATED			1
9		BRACKET	See Illustration THROTTLE CONTROL / NA6057		1
10	43DM8	NUT FLANGED HEX			1
11	5CM1020	SCREW			1
12		STARTER	See Illustration STARTER / D2437		1
13		PLATE, FLYWHEEL	See Illustration ENGINE & ATTACHING PARTS / NA6063		1
14		BATTERY	See Illustration CONTROLS ELECTRICAL / NA6059		1
15		ENGINE	See Illustration ENGINE & GASKET KITS / NA6116		1
16	7008772	ALTERNATOR, 90 AMP	See Illustration ALTERNATOR / NA2234		1
17	7173770	BRACKET			1

CONTROLS ELECTRICAL
(LH Console)
(S/N AB8B11001 - AB8B11999)



NA6060

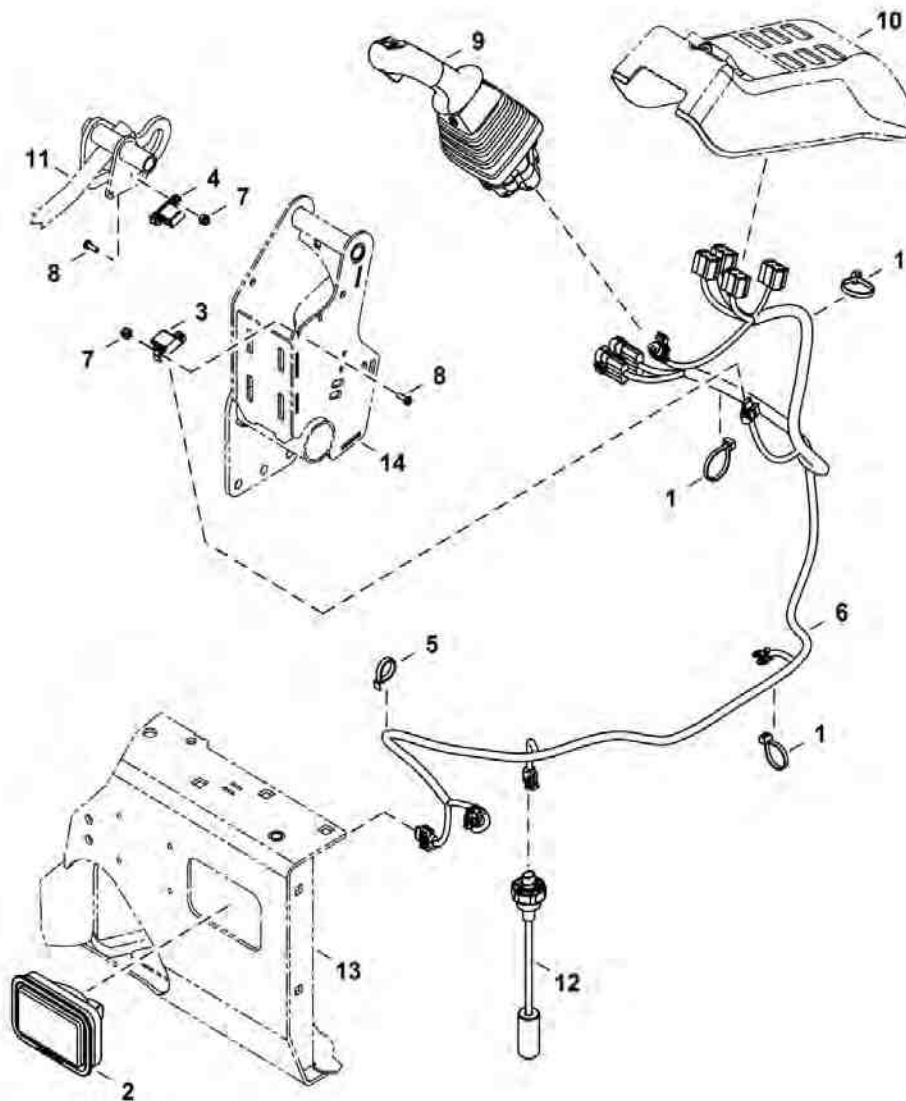
CONTROLS ELECTRICAL (Cont'd)

(LH Console)
(S/N AB8B11001 - AB8B11999)

Ref No	Part Number	Description	Remarks	Serial Number	Qty
1	6624289	STRAP, TIE			4
2	6676238	LIGHT			1
2	6667934	LIGHT, BULB	- worklight		1
2	6676725	BEZEL			1
3	6680427	SENSOR	lockout		1
4	6680428	SENSOR			1
5	6682345	STRAP, TIE 8			1
6	7161916	HARNESS, CONSOLE LH			1
7	50D8	NUT			4
8	87G808	SCREW			4
9		LEVER, JOYSTICK W/PWM	See Illustration LH JOYSTICK / NA2224 - LH - Was 7008320 [A]	AB8B11001 - 11999	1
9	7220733	JOYSTICK, LH	See Illustration LH JOYSTICK / NA8065 LH	AB8B11001 - 11999	1
10		COVER, LH	See Illustration CONTROL CONSOLE / NA6054		1
11		HANDLE	See Illustration CONTROL CONSOLE / NA6054		1
12	7287030	SENSOR, FUEL	See Illustration CONTROL CONSOLE / NA6054 Was 7179838 [A]		1
13		UPPERSTRUCTU RE	See Illustration UPPERSTRUCTURE / NA6026		1
14		CONTROLLER, JOYSTICK ASSY	See Illustration OPERATOR AREA & SEAT / NA6028		1

CONTROLS ELECTRICAL

(LH Console)
(S/N AB8B12001 & Above)



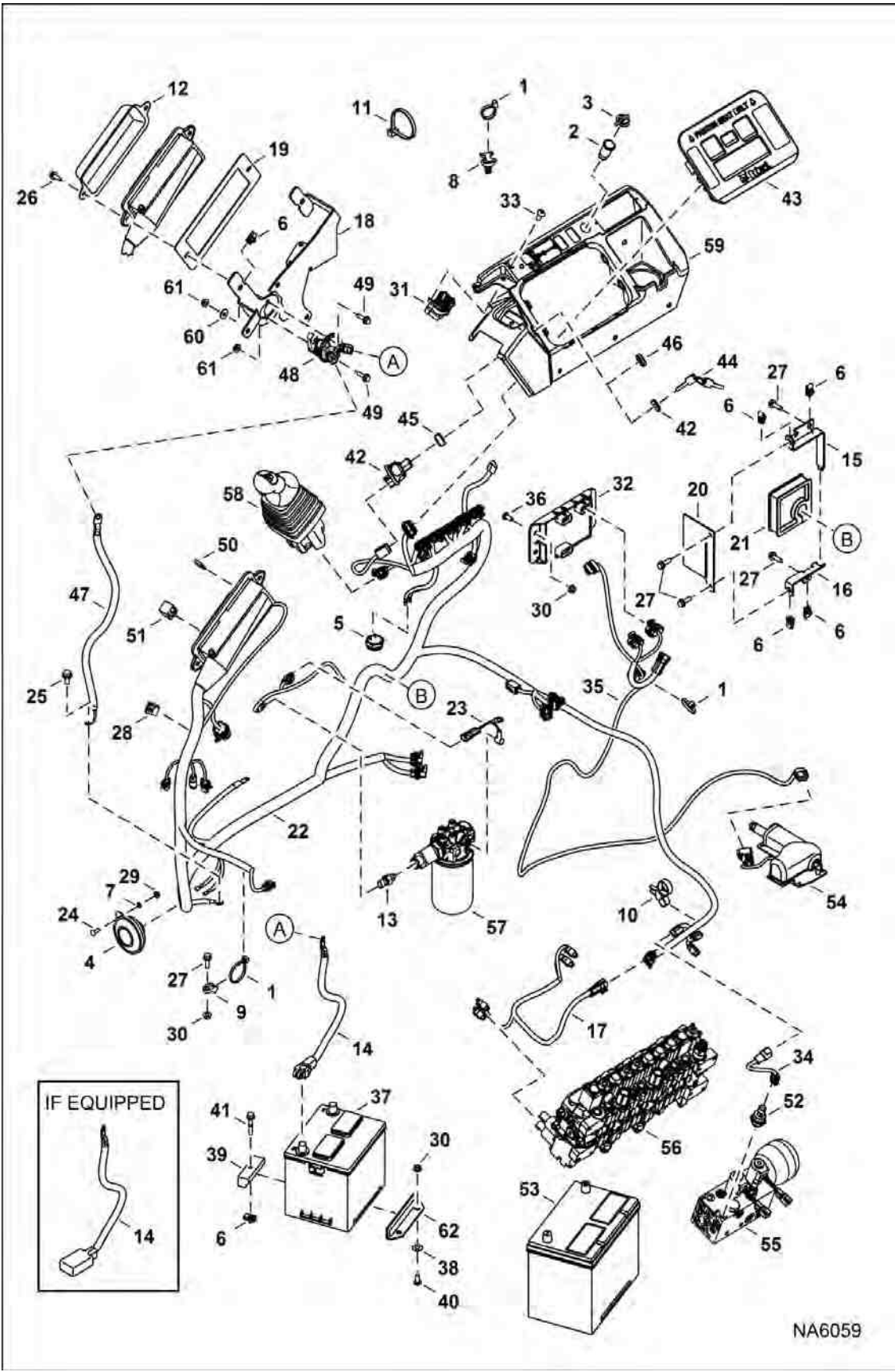
NA8761

CONTROLS ELECTRICAL (Cont'd)

(LH Console)
(S/N AB8B12001 & Above)

Ref No	Part Number	Description	Remarks	Serial Number	Qty
1	6624289	STRAP, TIE			4
2	6676238	LIGHT			1
2	6667934	LIGHT, BULB	- worklight		1
2	6676725	BEZEL			1
3	6680427	SENSOR	lockout		1
4	6680428	SENSOR			1
5	6682345	STRAP, TIE 8			1
6	7234503	HARNESS, CONSOLE LH			1
7	50D8	NUT			4
8	87G808	SCREW			4
9	7024440	JOYSTICK, LH ASSY	See Illustration LH JOYSTICK / NA8316	AB8B12001 & Above	1
10		COVER, LH			1
11		HANDLE			1
12	7287030	SENSOR, FUEL	Was 7179838 [A]		1
13		UPPERSTRUCTU RE			1
14		CONTROLLER, JOYSTICK ASSY			1

CONTROLS ELECTRICAL
 (RH Console)
 (S/N AB8B11001 - AB8B11999)

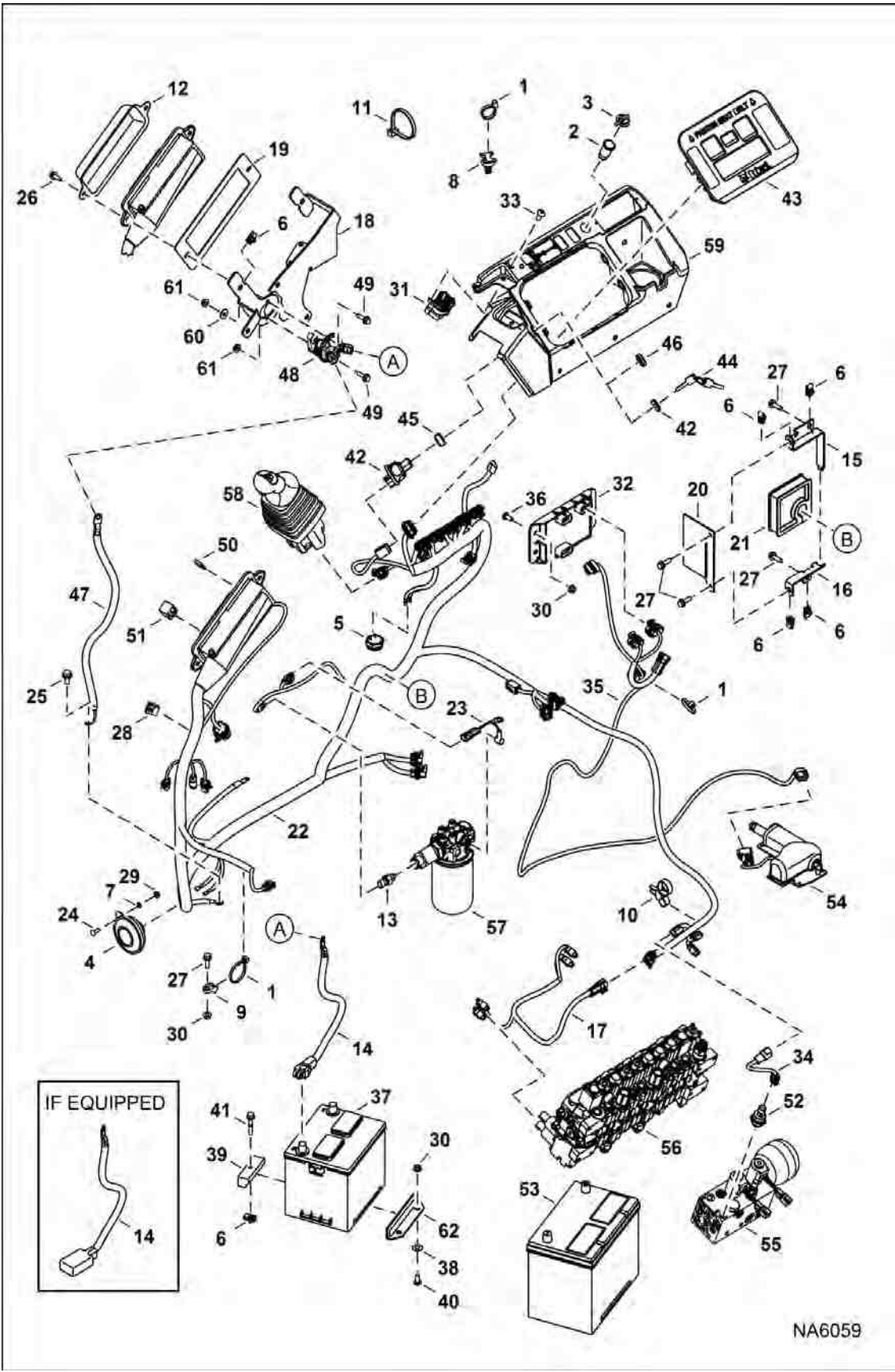


CONTROLS ELECTRICAL (Cont'd)

(RH Console)
(S/N AB8B11001 - AB8B11999)

Ref No	Part Number	Description	Remarks	Serial Number	Qty
1	6624289	STRAP, TIE			16
2	6664223	OUTLET			1
3	6664224	CAP			1
4	6671106	ALARM			1
5	6675705	ALARM			1
6	6676169	NUT			8
7	6675212	RETAINER, BOLT			1
8	7015668	MOUNT, STRAP TIE			3
9	6678667	MOUNT			1
10	6678668	STRAP			1
11	6682345	STRAP, TIE 8			3
12	6716621	COVER, FUSE			1
13	6727869	SENDER, HYD TEMP			1
14	6807431	CABLE, NEGATIVE			1
15	7178918	BRACKET			1
16	7178919	BRACKET			1
17	7188078	HARNESS, VALVE			1
18	7187703	BRACKET, RELAY CENTER			1
19	7187704	PLATE, SUPPORT			1
20	7192356	COVER, PLATE			1
21	7192357	GROMMET			1
22	7195840	HARNESS, FRAME			1
23	7198838	HARNESS, SWITCH			1
24	28CM620	BOLT CARRIAGE 8.8			1
25	29CM1020	SCREW HEX 10MMX20MM			2
26	29CM820	SCREW FLNGE HEX CAP			2
27	29CM825	SCREW HEX HD W/F 8.8			6
28	30H50	CLAMP			1
29	43DM6	NUT FLANGED HEX			3
30	43DM8	NUT FLANGED HEX			5
31	7281258	CONTROL THROTTLE	Was 6698640 [A]		1
31	7022367	KNOB			1
32	7010112	CONTROLLER, THROTTLE AIC			1
33	7135909	SCREW			2
34	7192507	HARNESS, JUMPER			1

CONTROLS ELECTRICAL (Cont'd)
 (RH Console)
 (S/N AB8B11001 - AB8B11999)



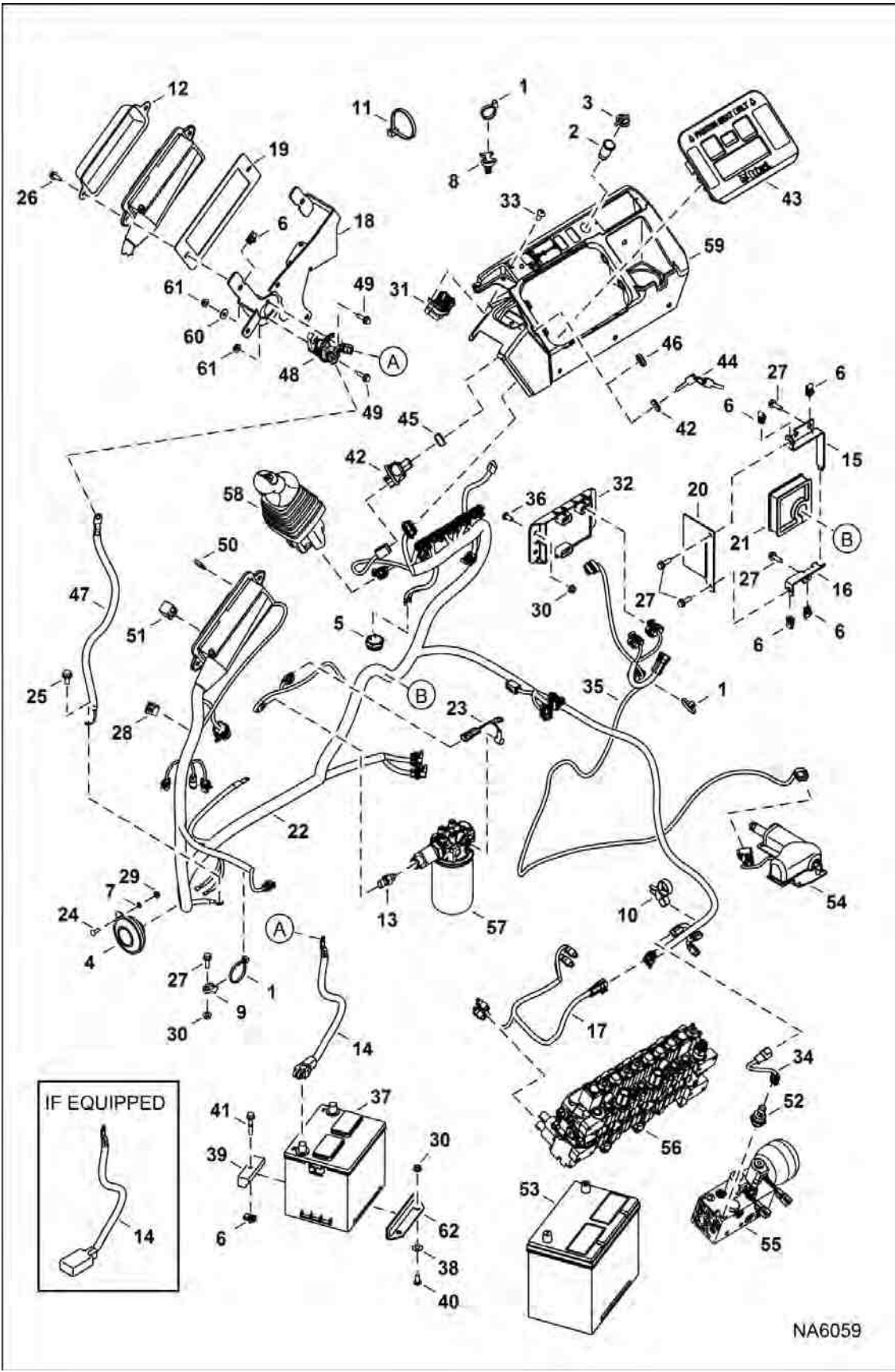
NA6059

CONTROLS ELECTRICAL (Cont'd)

(RH Console)
(S/N AB8B11001 - AB8B11999)

Ref No	Part Number	Description	Remarks	Serial Number	Qty
35	7201238	HARNESS, AUTO IDLE			1
36	28CM820	BOLT CARRIAGE 8.8			2
37	7269858	BATTERY WET 540 CCA	- Was 6670251 [A]		1
38	6675859	RETAINER			1
39	7120672	TIE DOWN			2
40	28CM820	BOLT CARRIAGE 8.8			2
41	29CM845	SCREW HEX FLANGE			1
42	6693245	SWITCH, IGN			1
43	6698608	CONTROLLER, KEYED PANEL			1
43	6698609	CONTROLLER, KEYLESS PANEL			1
44	6693241	KEY (2)	ignition - single key W/O ring		1
45	7000328	ADAPTER, SWITCH IGN			1
46	6676922	PLUG			1
47	7167082	CABLE, NEGATIVE			1
48	7204459	SWITCH, DISCONNECT			1
48	7301068	HANDLE, SWITCH	W/chain		1
49	29CM620	SCREW FLGD HEX CAP			2
50	6663289	FUSE, 5A			x
50	6654805	FUSE 10A			x
50	6654806	FUSE, 15A			x
50	6625575	FUSE, 20A			x
50	6702444	FUSE 25A 5			x
51	6679820	SWITCH, RELAY MAGNETIC			x
52	6674316	SWITCH, PRESS OIL HYD			1
52		PLUG	See Illustration THROTTLE CONTROL / NA6055 W/O auto idle		1
53	6673865	BATTERY, WET 600CCA	Was 6674687 [B]		1
54	6698169	ACTUATOR, THROTTLE	See Illustration THROTTLE CONTROL / NA6057		1
55	7204476	MANIFOLD, HYD ASSY	See Illustration MANIFOLD ASSY / NA6098		1
56	7188867	VALVE, CONTROL	See Illustration HYDRAULIC CONTROL VALVE / NA6140		1
57	7188836	FILTER, OIL HYD ASSY	See Illustration HYDRAULIC OIL FILTER / NA6101		1
58		LEVER, JOYSTICK W/PWM	See Illustration RH JOYSTICK / MS1352 - RH - Was 6677895 [A]	AB8B11001 - 11999	1

CONTROLS ELECTRICAL (Cont'd)
 (RH Console)
 (S/N AB8B11001 - AB8B11999)



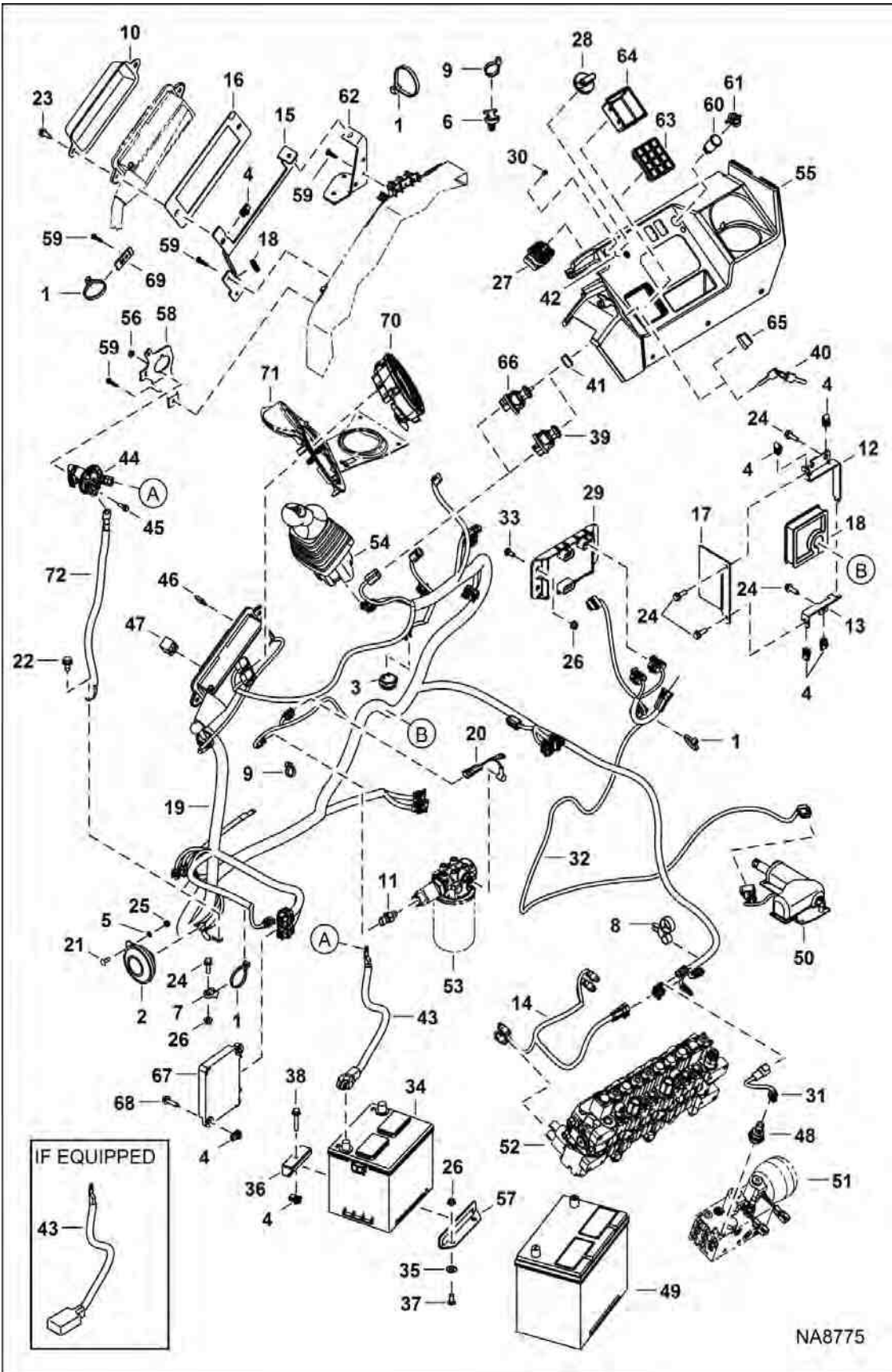
NA6059

CONTROLS ELECTRICAL (Cont'd)

(RH Console)
(S/N AB8B11001 - AB8B11999)

Ref No	Part Number	Description	Remarks	Serial Number	Qty
58	7220732	JOYSTICK, RH	See Illustration RH JOYSTICK / NA8064 RH	AB8B11001 - 11999	1
59		COVER, RH	See Illustration CONTROL CONSOLE / NA6053		1
60	17EM60	WASHER			1
61	51DM6	NUT HX THDLK PREAPPL			2
62	7274498	CLAMP BATTERY	Was 7135397 [A]		1

CONTROLS ELECTRICAL
 (RH Console)
 (S/N AB8B12001 & Above)

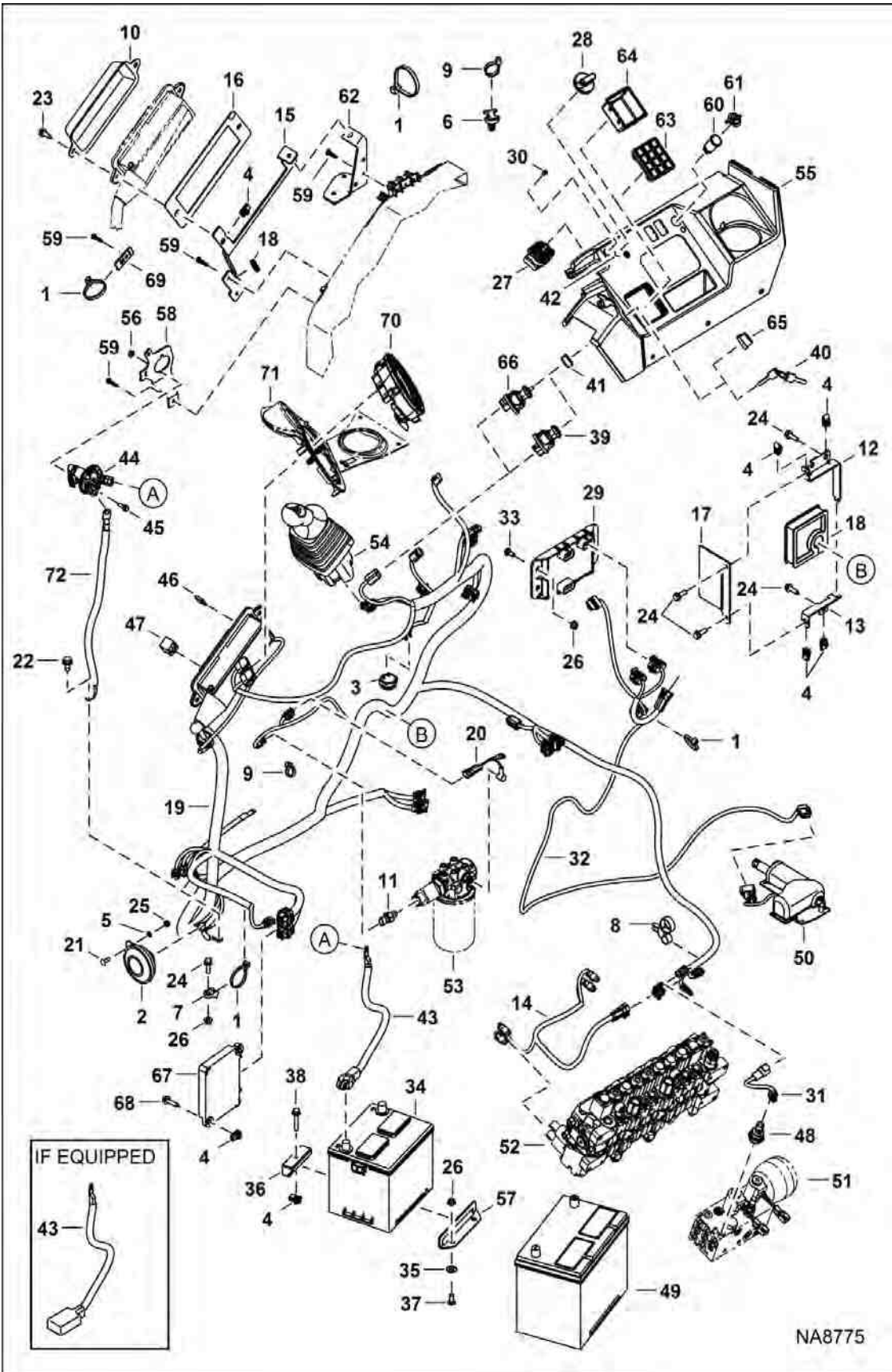


CONTROLS ELECTRICAL (Cont'd)

(RH Console)
(S/N AB8B12001 & Above)

Ref No	Part Number	Description	Remarks	Serial Number	Qty
1	6624289	STRAP, TIE			16
2	6671106	ALARM			1
3	6675705	ALARM			1
4	6676169	NUT			8
5	6675212	RETAINER, BOLT			1
6	7015668	MOUNT, STRAP TIE			3
7	6678667	MOUNT			1
8	6678668	STRAP			1
9	6682345	STRAP, TIE 8			3
10	6716621	COVER, FUSE			1
11	6727869	SENDER, HYD TEMP			1
12	7178918	BRACKET			1
13	7178919	BRACKET			1
14	7234504	HARNESS, VALVE			1
15	7242829	BRACKET, BLOCK FUSE			1
16	7187704	PLATE, SUPPORT			1
17	7192356	COVER, PLATE			1
18	7192357	GROMMET			1
19	7325028	HARNESS FRAME	W/Rfid connector - Was 7282021 [B]		1
20	7198838	HARNESS, SWITCH			1
21	28CM620	BOLT CARRIAGE 8.8			1
22	29CM1020	SCREW HEX 10MMX20MM			1
23	29CM820	SCREW FLNGE HEX CAP			2
24	29CM825	SCREW HEX HD W/F 8.8			6
25	43DM6	NUT FLANGED HEX			3
26	43DM8	NUT FLANGED HEX			5
27	7281258	CONTROL THROTTLE	Was 6698640 [A]		1
28	7022367	KNOB			1
29	7010112	CONTROLLER, THROTTLE AIC			1
30	7135909	SCREW			2
31	7192507	HARNESS, JUMPER			1
32	7201238	HARNESS, AUTO IDLE			1
33	28CM820	BOLT CARRIAGE 8.8			2

CONTROLS ELECTRICAL (Cont'd)
 (RH Console)
 (S/N AB8B12001 & Above)

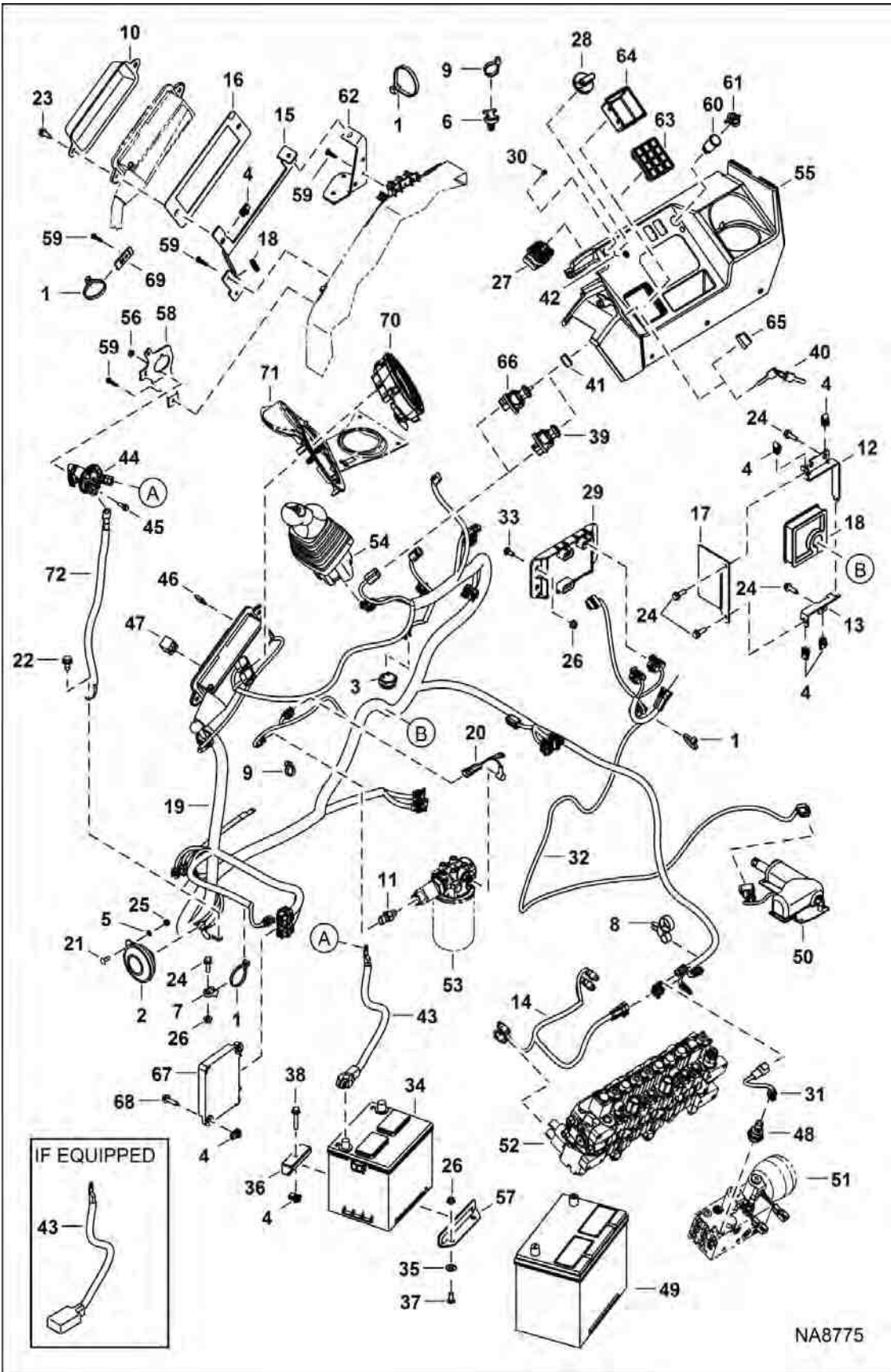


CONTROLS ELECTRICAL (Cont'd)

(RH Console)
(S/N AB8B12001 & Above)

Ref No	Part Number	Description	Remarks	Serial Number	Qty
34	7269858	BATTERY WET 540 CCA	- Was 6670251 [A]		1
35	6675859	RETAINER			1
36	7120672	TIE DOWN			2
37	28CM820	BOLT CARRIAGE 8.8			2
38	29CM845	SCREW HEX FLANGE			1
39	6693245	SWITCH, IGN			1
40	6693241	KEY (2)			1
41	7000328	ADAPTER, SWITCH IGN			1
42	6676922	PLUG			1
43	6807431	CABLE, NEGATIVE			1
44	7204459	SWITCH, DISCONNECT			1
44	7301068	HANDLE, SWITCH	W/chain		1
45	29CM620	SCREW FLGD HEX CAP			2
46	6663289	FUSE, 5A			x
46	6654805	FUSE 10A			x
46	6654806	FUSE, 15A			x
46	6625575	FUSE, 20A			x
46	6702444	FUSE 25A 5			x
47	6679820	SWITCH, RELAY MAGNETIC			x
48	6674316	SWITCH, PRESS OIL HYD			1
49	6673865	BATTERY, WET 600CCA	Was 6674687 [B]		1
50	6698169	ACTUATOR, THROTTLE			1
51	7204476	MANIFOLD, HYD ASSY			1
52	7188867	VALVE, CONTROL			1
53	7188836	FILTER, OIL HYD ASSY			1
54	7024441	JOYSTICK, RH ASSY	See Illustration RH JOYSTICK / NA8317	AB8B12001 & Above	1
55	7241307	CONSOLE, RH			1
56	51DM6	NUT HX THDLK PREAPPL			2
57	7274498	CLAMP BATTERY	Was 7135397 [A]		1
58	7242821	BRACKET, DISCONNECT			1
59	7223129	SCREW			2
60	6664223	OUTLET			1
61	6664224	CAP			1

CONTROLS ELECTRICAL (Cont'd)
 (RH Console)
 (S/N AB8B12001 & Above)



NA8775

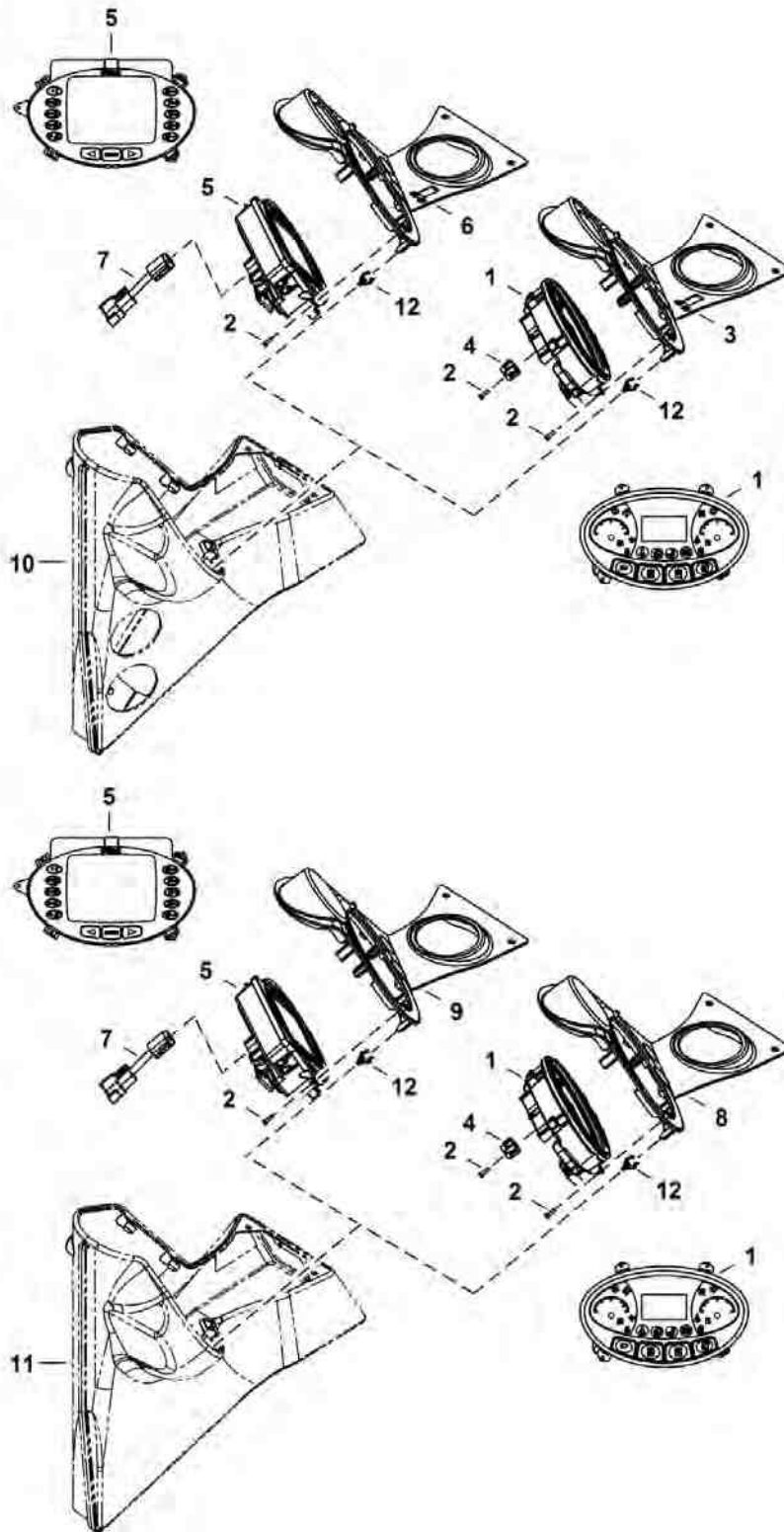
CONTROLS ELECTRICAL (Cont'd)

(RH Console)
(S/N AB8B12001 & Above)

Ref No	Part Number	Description	Remarks	Serial Number	Qty
62	7242830	BRACKET, WASHER BOTTLE			1
63	6693712	KEYPAD, PANEL			1
64	7211550	CONTAINER, STORAGE			1
65	7023588	KNOB			1
66	7023022	SWITCH ROTARY			1
67	7260940	CONTROLLER, PRIMARY	Was 7024906 [A]		1
68	29CM620	SCREW FLGD HEX CAP			1
69	7242822	BRACKET, HARNESS			1
70	7023784	DISPLAY, STD			1
71		CONSOLE, DISPLAY STANDARD	See Illustration HEATER & A/C / NA8981		1
72	7167082	CABLE, NEGATIVE			1

CONTROLS ELECTRICAL

(Display Panels)
(S/N AB8B12001 & Above)



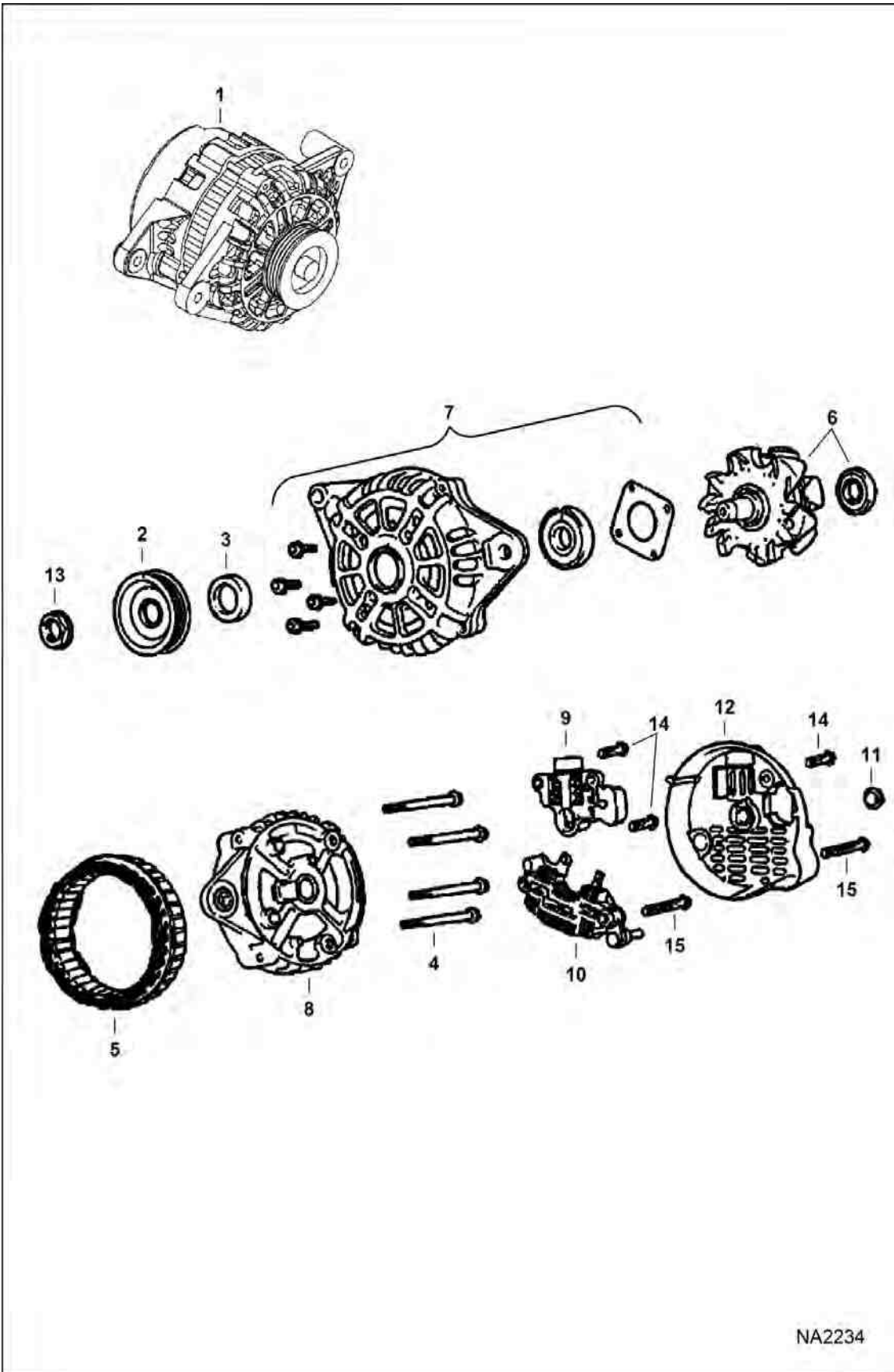
NA8333

CONTROLS ELECTRICAL (Cont'd)

(Display Panels)
(S/N AB8B12001 & Above)

Ref No	Part Number	Description	Remarks	Serial Number	Qty
1	7023784	DISPLAY, STD			1
2	7179008	SCREW, PLASTIC			4
3	7210715	CONSOLE, DISPLAY STANDARD			1
4		CLIP	NSS - Order Ref. 3 - Was 7211548 [D]		1
5	7024905	DISPLAY, DLX			1
6	7210716	CONSOLE, DISPLAY DELUXE			1
7	7234121	HARNESS, CAB DLX			1
8	7210714	CONSOLE, DISPLAY			1
9	7223483	CONSOLE, DISPLAY			1
10		COVER	cab		1
11		COVER	canopy		1
12	7165333	CLIP			5

ALTERNATOR

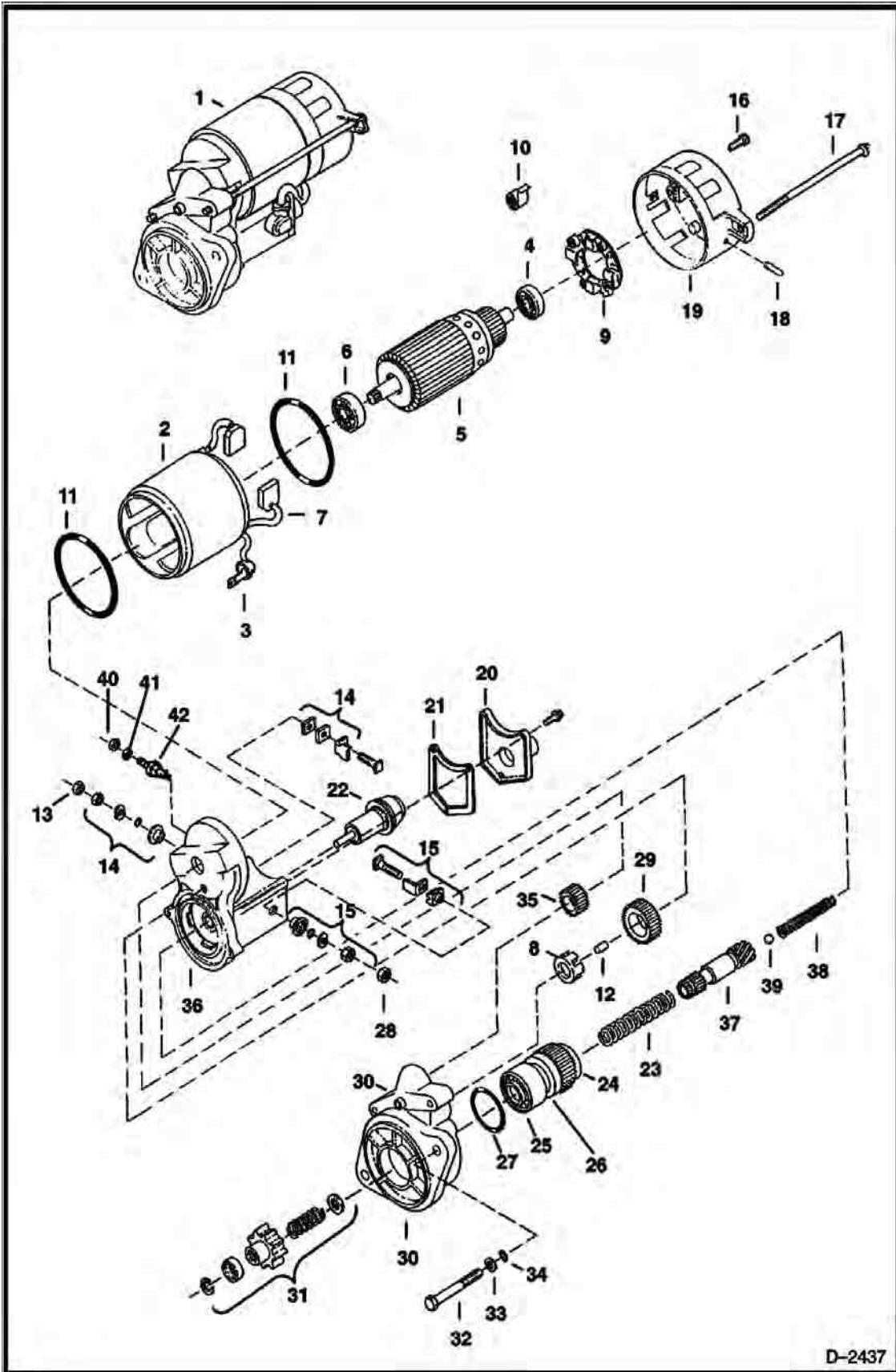


NA2234

ALTERNATOR (Cont'd)

Ref No	Part Number	Description	Remarks	Serial Number	Qty
1	7008772	ALTERNATOR, 90 AMP	Ref. 2-15		1
2	7010200	PULLEY, ALT			1
3	6677495	SPACER			1
4	6684397	BOLT			4
5	6677493	STATOR			1
6	6677492	ASSY, ROTOR	assy		1
7	6677491	BRACKETFRT	assy		1
8	6677490	BRACKETREAR			1
9	6684650	REGULATOR ASSY			1
10	6677488	RECTIFIRE ASSY			1
11	6677486	NUT			1
12	6677487	COVER			1
13	6691539	HEX. NUT			1
14		BOLT	NSS		x
15		BOLT	NSS		x

STARTER

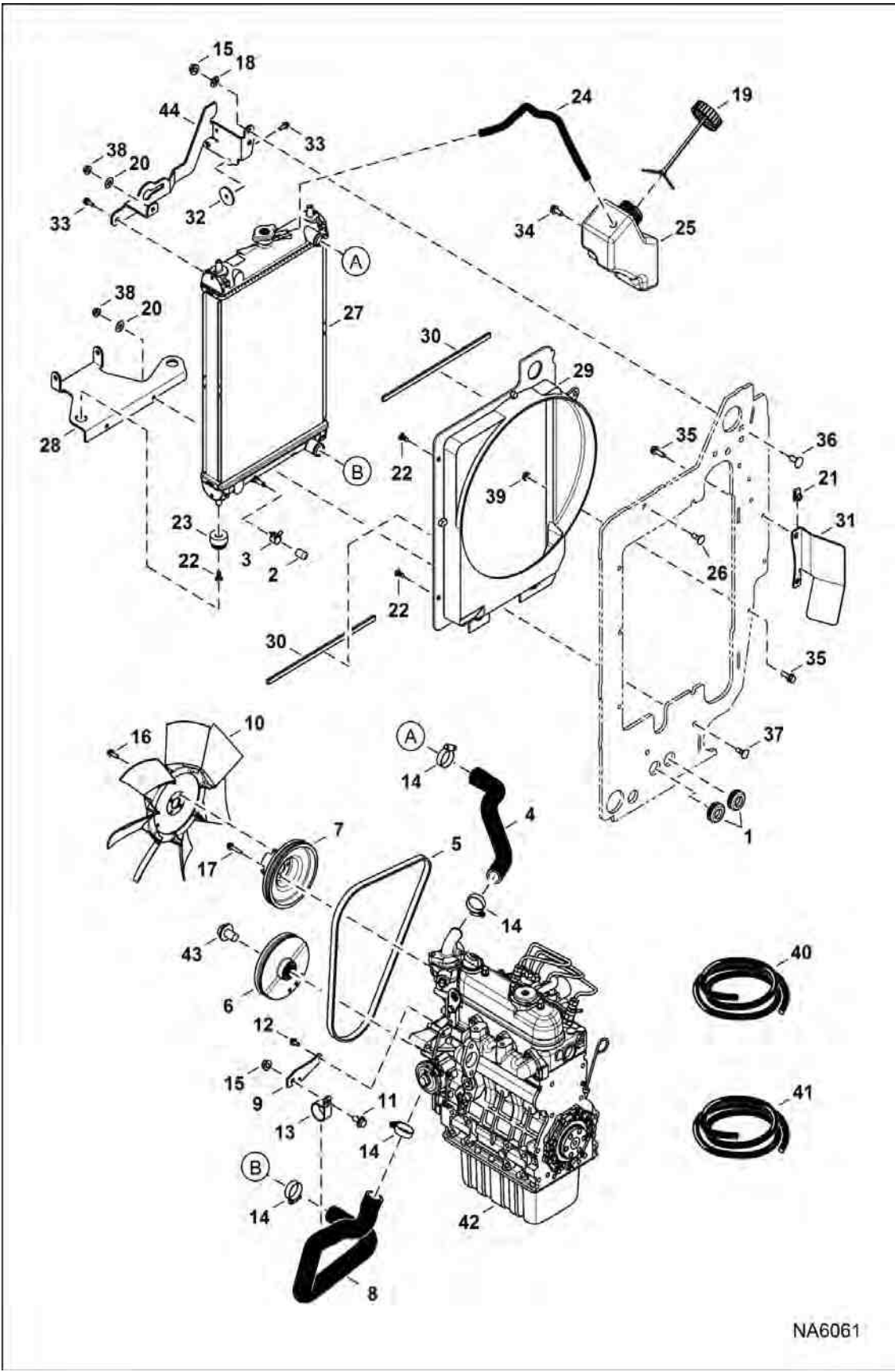


D-2437

STARTER (Cont'd)

Ref No	Part Number	Description	Remarks	Serial Number	Qty
1		STARTER	Was 6670727 [B]		1
1		STARTER	Was 6670727REM [B]		1
1		STARTER	Was 6670727EF [B]		1
1	7253205	STARTER			1
2		YOKE	NSS - Was 6674817 [A]		2
3	6672178	COVER			1
4		BEARING	NSS - Was 6674819 [A]		1
5	6674818	ARMATURE	W/Ref. 4 & 6		1
6		BEARING	NSS - Was 6671985 [A]		1
6		BEARING	NSS - Was 6671984 [A]		1
7		BRUSHES	NSS - Order Ref. 2		2
8	6672000	RETAINER			1
9		HOLDER	NSS - Was 6674836 [A]		1
10		SPRING	NSS - brush		1
11	6671982	O-RING			2
12	6671999	ROLLER			2
13	6672008	NUT			1
14		KIT	NSS - Was 6675109 [A]		1
15		STARTER	NSS - Was 6674826 [A]		1
16		SCREW	NSS - Was 6674834 [A]		2
17		BOLT	NSS - Was 6674833 [A]		2
18	6672007	BUSHING	drain		1
19		FRAME	NSS - Was 6674832 [A]		1
20		COVER	NSS - Was 6674829 [A]		1
21		GASKET	NSS - Was 6674828 [A]		1
22		PLUNGER	NSS - Was 6674827 [A]		1
23	6671991	SPRING	compression		1
24		BEARING	NLA - Order Ref. 26		1
25		BEARING	NLA - Order Ref. 26		1
26	6674821	CLUTCH	W/Ref. 24-25		1
27	6672013	O-RING			1
28	6672006	NUT			1
29	6672001	PINION			1
30		HOUSING	NSS - Was 6674823 [A]		1
31	6672172	DRIVEGEAR	starter		1
32		SCREW	NSS - Was 6674835 [A]		2
33		WASHER	NSS - Was 6666629 [A]		2
34	6666631	O-RING			2
35		PINION	NSS - Was 6674824 [A]		1
36		SWITCH	NSS - Was 6674942 [A]		1
37		SHAFT	NSS - Was 6671992 [A]		1
38	6674831	SPRING	compression oil		1
39		BALL	NSS - Was 6671122 [A]		1
40	6672011	NUT			1
41	6672012	WASHER			1
42	6671997	BOLT			1

ENGINE & ATTACHING PARTS (Radiator Water Exchanger)



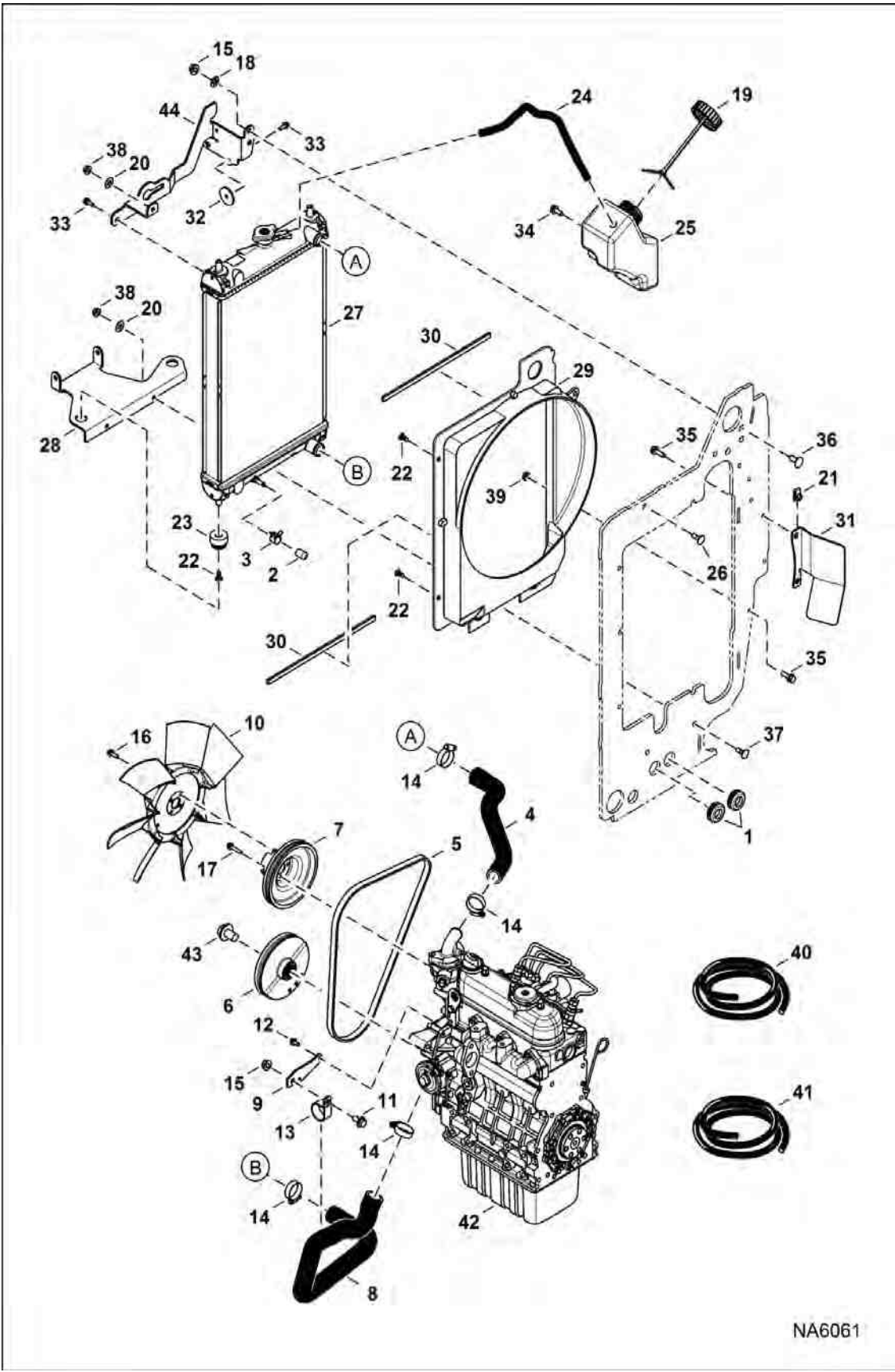
NA6061

ENGINE & ATTACHING PARTS (Cont'd)
(Radiator Water Exchanger)

Ref No	Part Number	Description	Remarks	Serial Number	Qty
1	6810133	GROMMET			2
2	7197401	PLUG, RADIATOR			1
3	5HM16	CLAMP			1
4	7159514	HOSE, WATER UPPER			1
5	7193802	BELT, FAN			1
6	7197551	PULLEY			1
7	7223698	PULLEY, FAN	Was 7197561 [A]		1
8	7201735	HOSE, WATER LOWER			1
9	7201736	PLATE, HOLDER			1
10	7203445	FAN			1
11	29CM1020	SCREW HEX 10MMX20MM			1
12	29CM612	BOLT, FLANGED			2
13	30H60	CLIP			1
14	42HL150	CLAMP LINED HOSE			4
15	43DM10	NUT FLANGED HEX			3
16	59CM620	SCREW			4
17	59CM630	SCREW			4
18	6674264	RETAINER NUT			2
19	7218789	CAP, OVERFLOW COOLANT	Was 6675551 [A]		1
20	6675859	RETAINER			3
21	6676169	NUT			6
22	7012810	PLUG			4
23	7139574	MOUNT RUBBER			2
24		HOSE	NLA - 440 mm (17.32") long - Order Ref. 40		1
25	7188966	TANK, WATER COOLANT			1
26	7189004	MOUNT, RADIATOR			1
27	7194799	EXCHANGER, WATER RADIATOR			1
27	7022636	CAP, RADIATOR			1
28	7194800	MOUNT, RADIATOR			1
29	7195526	SHROUD, FAN			1
30		SEAL	NLA - 329 mm (12.95") long - Order Ref. 41		2
31	7199713	GUARD, FAN			1
32	7200226	SPACER			1
33	29CM616	SCREW FLGD HEX CAP			2
34	29CM820	SCREW FLNGE HEX CAP			4
35	29CM825	SCREW HEX HD W/F 8.8			2
36	33CM1025	BOLT			2
37	33CM825	BOLT			3

ENGINE & ATTACHING PARTS (Cont'd)

(Radiator Water Exchanger)

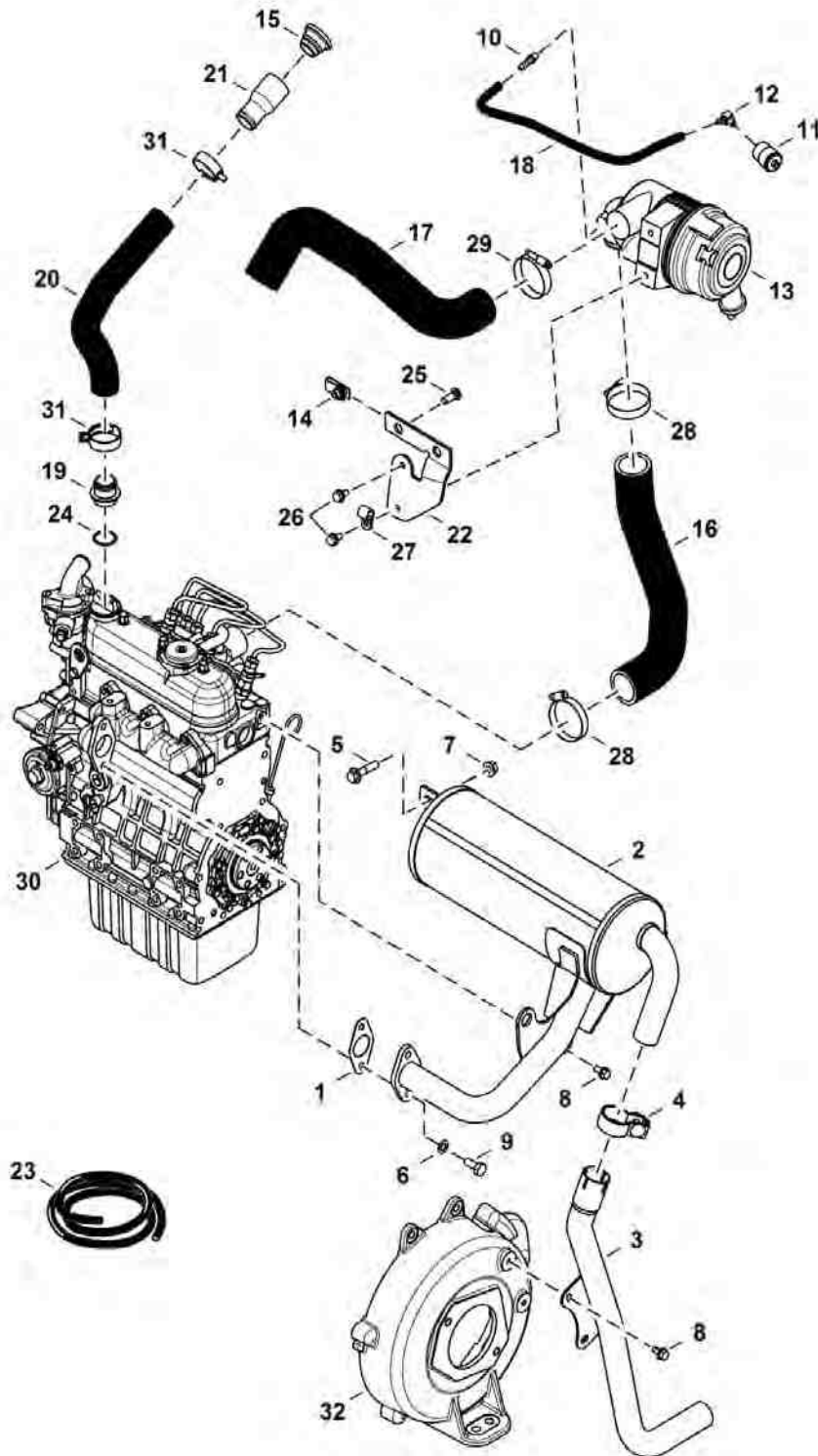


NA6061

ENGINE & ATTACHING PARTS (Cont'd)
(Radiator Water Exchanger)

Ref No	Part Number	Description	Remarks	Serial Number	Qty
38	43DM8	NUT FLANGED HEX			3
39	51DM8	NUT HX THDLK PREAPPL			2
40	6577822	HOSE, BULK	sold per foot		x
41	7135394	SEAL BULK	sold per foot		x
42	6696964	ENGINE, D1105	See Illustration ENGINE & GASKET KITS / NA6116		1
43	6680540	BOLT			1
44	7189004	MOUNT, RADIATOR			1

ENGINE & ATTACHING PARTS (Air Cleaner & Muffler)

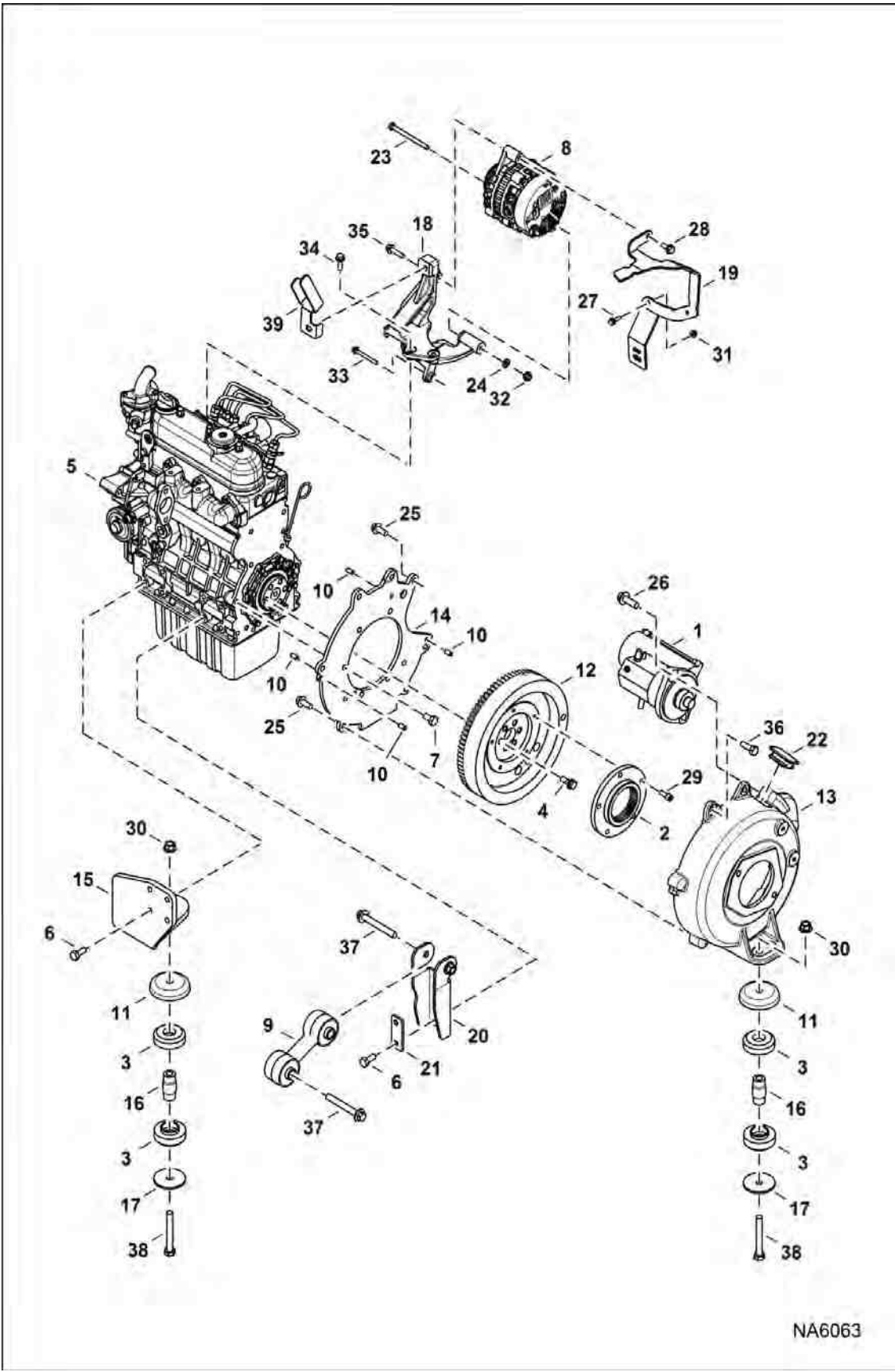


NA6062

ENGINE & ATTACHING PARTS (Cont'd)
(Air Cleaner & Muffler)

Ref No	Part Number	Description	Remarks	Serial Number	Qty
1	7194159	GASKET, EXHAUST			1
2	7194194	MUFFLER, EXHAUST			1
2	6661062	PLUG, PIPE			1
3	7194195	PIPE, TUBE EXHAUST			1
4	7200895	CLAMP, PIPE			1
5	29CM1045	BOLT			1
6	29E6	WASHER			2
7	51DM10	NUT HX THDLK PREAPPL			1
8	59CM816	BOLT			4
9	5CM1025	SCREW FL THD HEX CAP			2
10	6505813	ADAPTER			1
11	6515007	GAUGE, FILTER AIR			1
12	6515156	ELBOW			1
13	6675529	FILTER, AIR	See Illustration AIR FILTER / C3528		1
14	6675722	NUT			2
15	6703736	CAP			1
16	7159475	HOSE, AIR			1
17	7160633	HOSE, AIR			1
18		HOSE, AIR	NLA - 450 mm (17.71") long - Order Ref. 23		1
19	7173947	CONNECTOR			1
20	7173948	HOSE, DRAIN OIL ENG			1
21	7173949	CONNECTOR			1
22	7189270	BRACKET			1
23	6557720	HOSE, BULK	sold per foot		x
24	7202857	O-RING			1
25	27CM1025	BOLT			2
26	29CM816	SCREW FLGD HEX CAP			2
27	30H30	CLIP			1
28	42HC250	CLAMP			2
29	42HL250	CLAMP			1
30	6696964	ENGINE, D1105	See Illustration ENGINE & GASKET KITS / NA6116		1
31	5HM42	HOSECLAMP			2
32		HOUSING	See Illustration ENGINE & ATTACHING PARTS / NA6063		1

ENGINE & ATTACHING PARTS (Engine Mounts)



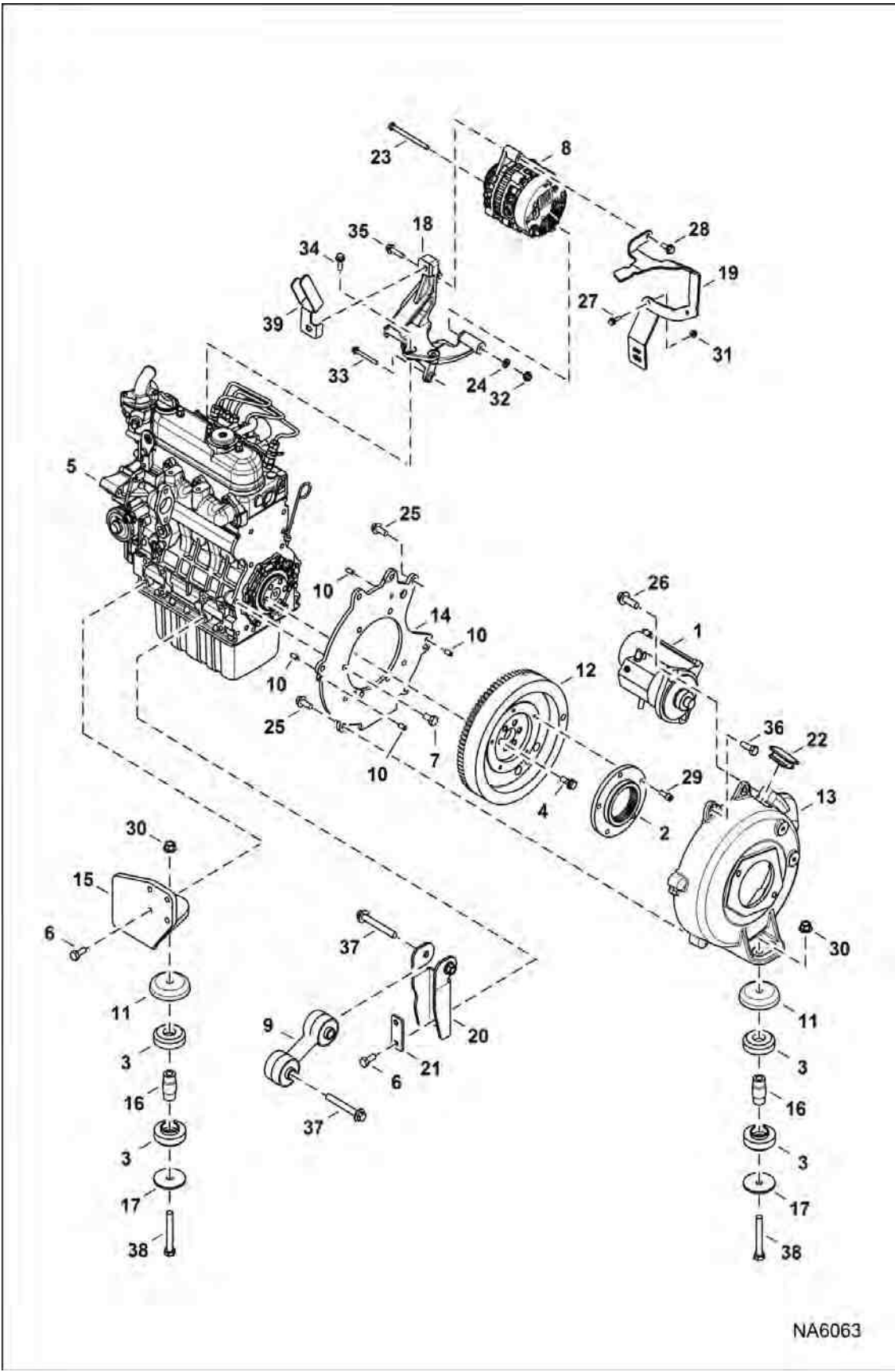
NA6063

ENGINE & ATTACHING PARTS (Cont'd)
(Engine Mounts)

Ref No	Part Number	Description	Remarks	Serial Number	Qty
1		STARTER	See Illustration STARTER / D2437		1
2	6670757	COUPLER, FLANGE			1
3	6688994	MOUNT			4
4	6690940	BOLT			1
5	6696964	ENGINE, D1105	See Illustration ENGINE & GASKET KITS / NA6116		1
6	6719825	BOLT			6
7	6733378	BOLT			7
8	7008772	ALTERNATOR, 90 AMP	See Illustration ALTERNATOR / NA2234		1
9	7021924	MOUNT, ENG			1
10	7101341	PIN			4
11	7116851	CUP			2
12		FLYWHEEL, ENG ASSY	NLA - Order 7226762 flywheel, 7226756 housing, and 7226759 plate - Was 7159476 [A]	AB8B11001 - 11212	1
12	7226762	FLYWHEEL, ENG ASSY		AB8B11213 & Above	1
12	6800424	GEAR			1
13		HOUSING	NLA - Was 7159478 [A]	AB8B11001 - 11212	1
13	7226756	HOUSING, MACHINED		AB8B11213 & Above	1
14		PLATE, FLYWHEEL	NLA - Was 7159480 [A]	AB8B11001 - 11212	1
14	7226759	PLATE, FLYWHEEL		AB8B11213 & Above	1
15	7224887	MOUNT, ENG			1
16	7165661	SPACER, TUBE			2
17	7165662	WASHER			2
18	7170568	BRACKET			1
19	7173770	BRACKET			1
20	7189015	MOUNT, ENG			1
21	7189016	MOUNT, ENG			1
22	7193119	PLUG			1
23	1CM8100	SCREW HEX CAP			1
24	25E15	WASHER 5			1
25	29CM1025	SCREW FLGD HEX CAP			5
26	29CM1235	BOLT			2
27	29CM620	SCREW FLGD HEX CAP			1
28	29CM820	SCREW FLNGE HEX CAP			1
29	3GM820	SCREW			5
30	51DM12	NUT			2
31	51DM6	NUT HX THDLK PREAPPL			1
32	51DM8	NUT HX THDLK PREAPPL			1
33	59CM660	BOLT			1
34	59CM825	BOLT			2

ENGINE & ATTACHING PARTS (Cont'd)

(Engine Mounts)

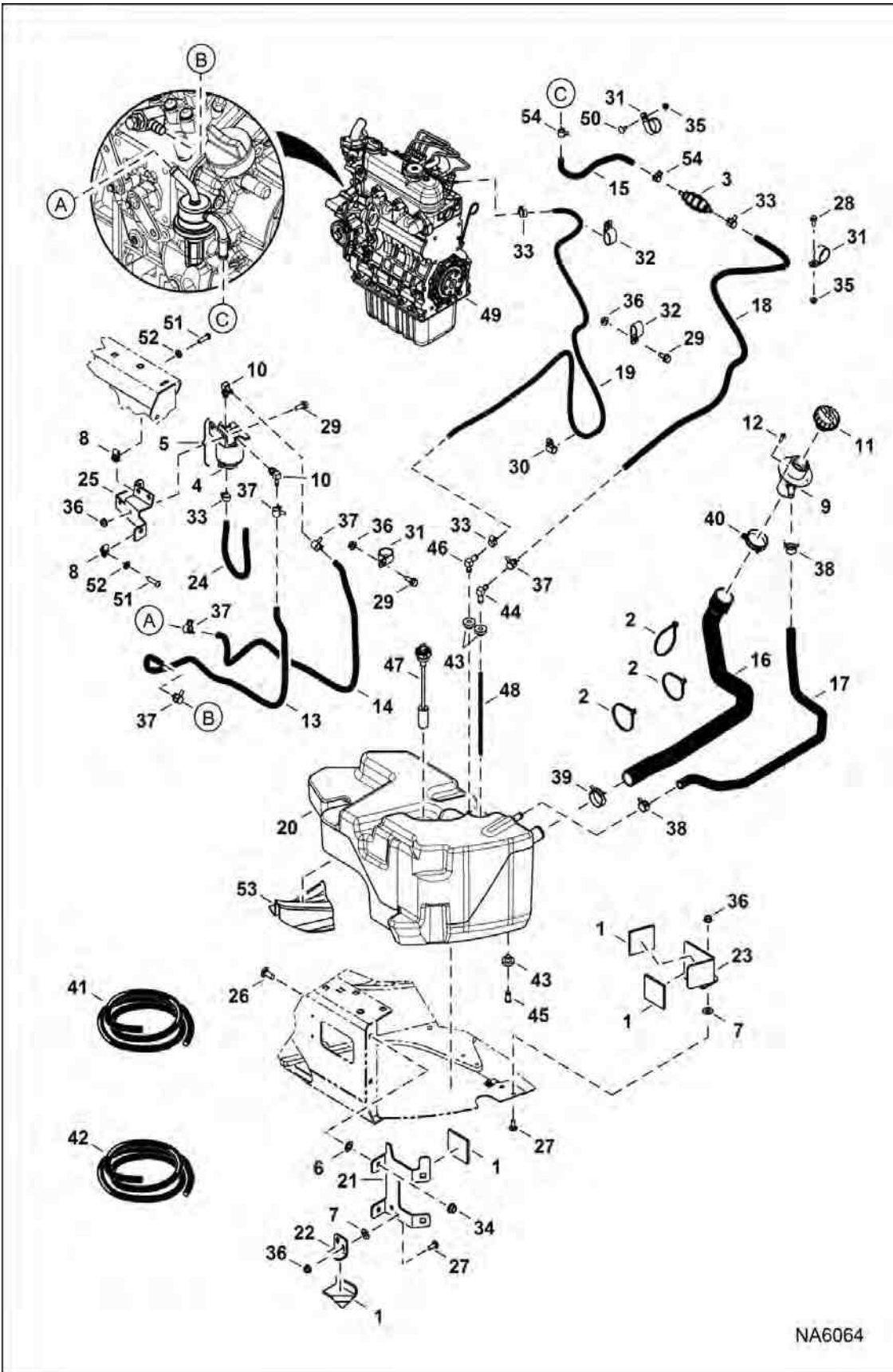


NA6063

ENGINE & ATTACHING PARTS (Cont'd)
(Engine Mounts)

Ref No	Part Number	Description	Remarks	Serial Number	Qty
35	59CM835	SCREW HX FLNG W/T8.8			1
36	5CM1030	SCREW FL THD HEX CAP			2
37	60CM1290	BOLT			2
38	7CM1290	SCREW			2
39	7191279	BRACKET			1

ENGINE & ATTACHING PARTS (Fuel System)

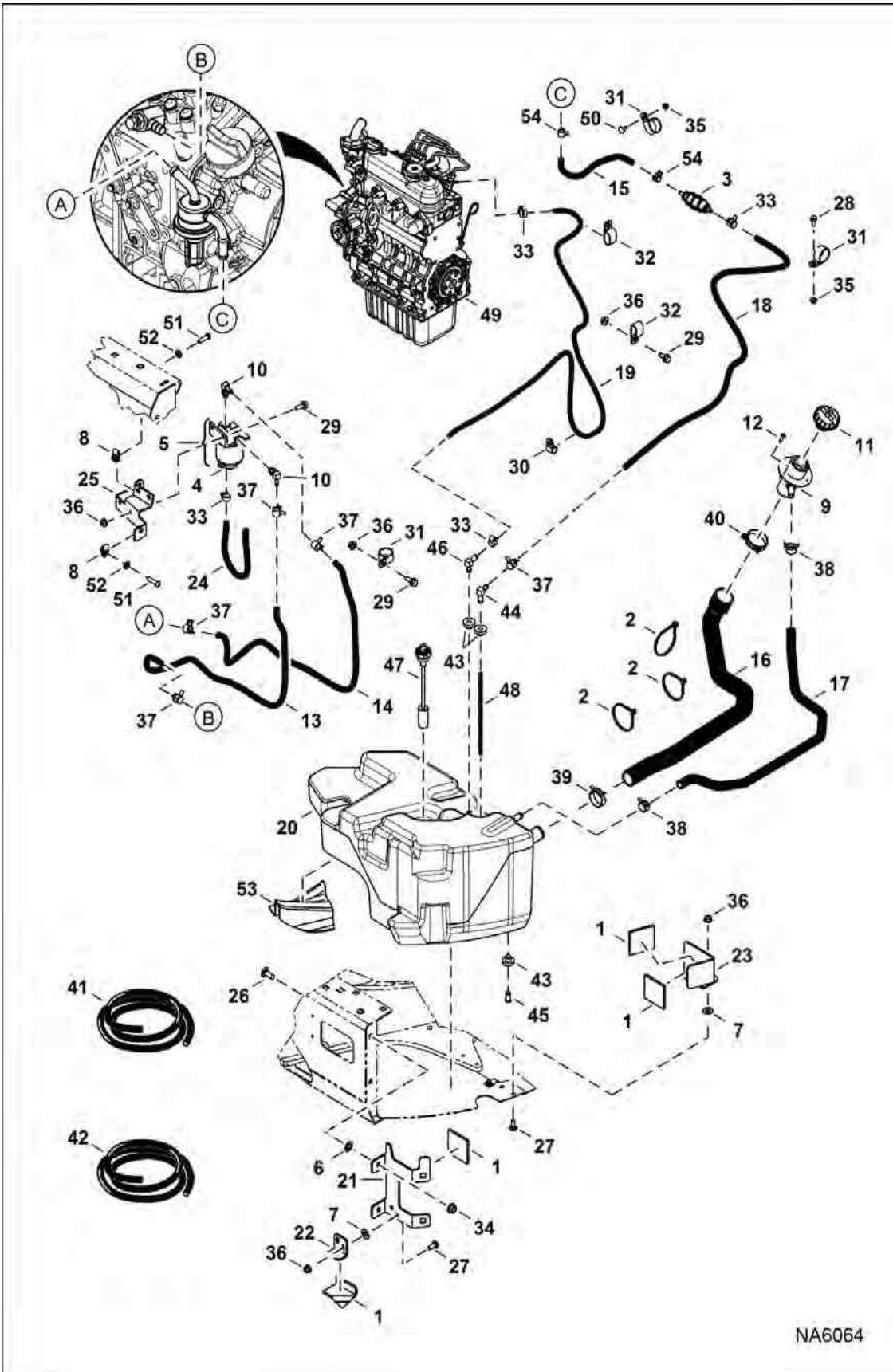


NA6064

ENGINE & ATTACHING PARTS (Cont'd)
(Fuel System)

Ref No	Part Number	Description	Remarks	Serial Number	Qty
1	6578278	BUMP.PAD			4
2	6624289	STRAP, TIE			3
3	6657734	PUMP, PRIMER HAND	barbed fittings for 6,35 mm (.25") ID hose - barbed fittings for 6,35 mm (.25") ID hose [A]		1
3	7219755	PUMP, PRIMER HAND	(1) barbed fitting for 6,35 mm (.25") ID hose & (1) barbed fitting for 7,94 mm (.3125") ID hose		1
4	6667352	FILTER, FUEL W/SEPARATOR 12	Was 6683139 [A]		1
5	6667353	FILTER, FUEL ASSY			1
6	6674264	RETAINER NUT			2
7	6675859	RETAINER			4
8	6676169	NUT			3
9	6701449	FLR.TUBE			1
10	6715183	ELBOW			2
11		CAP FUEL LOCKING	Was 7019128 [A]		1
11	7023550	CAP, DIESEL LOCKING			1
12	7106279	SCREW			3
13		HOSE, FUEL	NLA - 1000 mm (39.4") long - Order Ref. 42		1
14		HOSE, FUEL	NLA - 1125 mm (44.3") long - Order Ref. 42		1
15		HOSE, FUEL	NLA - 300 mm (11.8") long - Order Ref. 42		1
16	7187708	HOSE, FUEL			1
17	7187709	HOSE, FUEL			1
18		HOSE, FUEL	NLA - 1290 mm (50.8") long - Order Ref. 42		1
19		HOSE, FUEL	NLA - 1790 mm (70.5") long - Order Ref. 41		1
20	7187712	TANK, FUEL			1
21	7187744	BRACKET, CHANNEL SIDE		AB8B & Below	1
21	7301410	BRACKET, CHANNEL SIDE		AB8B & Above	1
22	7187757	BRACKET, TANK FUEL			1
23	7192117	BRACKET, TANK FUEL			1
24		HOSE, FUEL	NLA - 380 mm (15") long - Order Ref. 42		1
25	7198075	BRACKET, FILTER			1
26	28CM1025	BOLT CARRIAGE 8.8			2
27	28CM820	BOLT CARRIAGE 8.8			4
28	29CM616	SCREW FLGD HEX CAP			1
29	29CM820	SCREW FLNGE HEX CAP			4
30	30H30	CLIP			1
31	30H57	CLAMP			3
32	31H31	CLIP			2

ENGINE & ATTACHING PARTS (Cont'd)
(Fuel System)

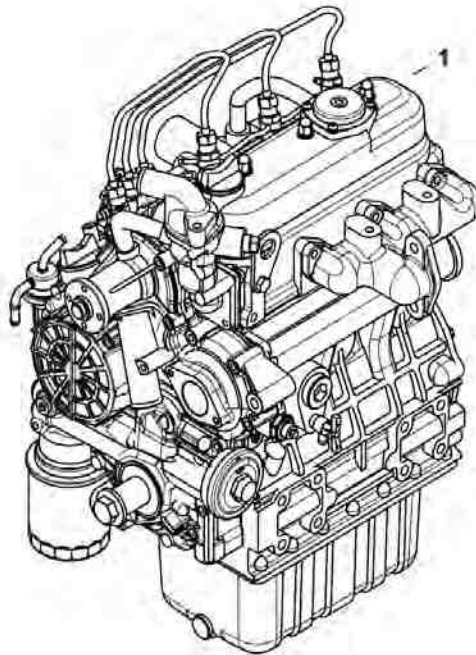
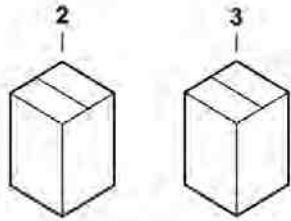


NA6064

ENGINE & ATTACHING PARTS (Cont'd)
(Fuel System)

Ref No	Part Number	Description	Remarks	Serial Number	Qty
33	42HS04	CLAMP HOSE TYPE M			4
34	43DM10	NUT FLANGED HEX			2
35	43DM6	NUT FLANGED HEX			2
36	43DM8	NUT FLANGED HEX			8
37	5HM14	CLAMP			5
38	5HM23	CLAMP			2
39	5HM42	HOSECLAMP			1
40	5HM55	CLAMP			1
41	6578169	HOSE, BULK/FT	sold per foot - 0.19" ID		x
42	6577822	HOSE, BULK	sold per foot		x
43	6553411	BUSHING, PRESS FIT 5			3
44	6666302	FITTING, ELBOW	Also Order Ref. 48		1
45	6599645	PLUG, STEEL			1
46	6630041	ELBOW			1
47	7287030	SENSOR, FUEL	Was 7179838 [A]		1
48	7223217	TUBE, FUEL LINE ASSY	Also Order Ref. 44		1
49	6696964	ENGINE, D1105	See Illustration ENGINE & GASKET KITS / NA6116		1
50	33CM616	BOLT			1
51	27CM830	SCREW			3
52	1EM80	WASHER PLAIN			3
53	7187758	BUMPER, RUBBER			1
54	5HM14	CLAMP	Was 5HM15 [A]		2

ENGINE & GASKET KITS

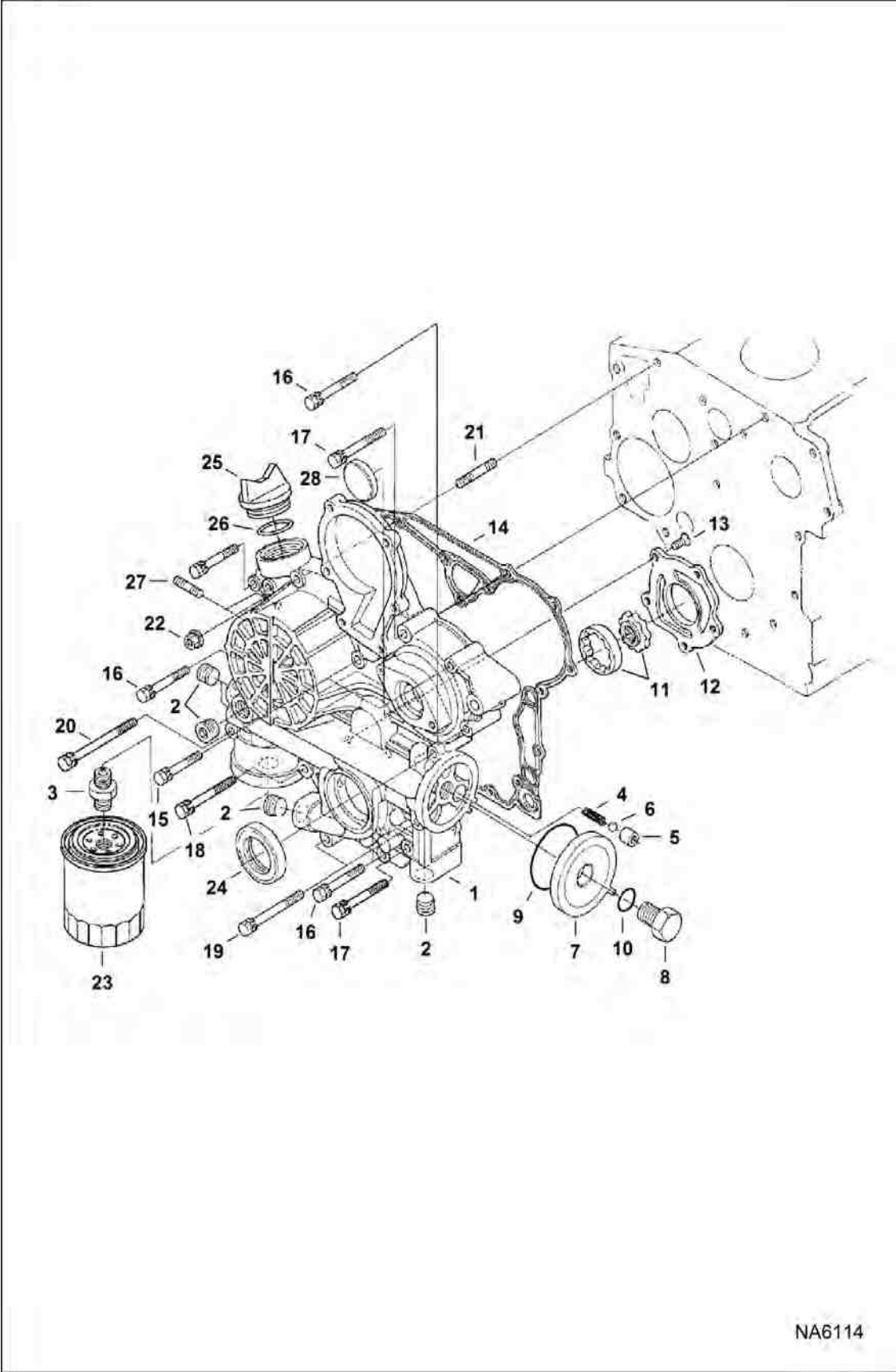


NA6116

ENGINE & GASKET KITS (Cont'd)

Ref No	Part Number	Description	Remarks	Serial Number	Qty
1	6696964	ENGINE, D1105			1
2		KIT, GASKET ENG UPPER	NLA - Order individual components		1
3		KIT, GASKET ENG LOWER	NLA - Order individual components		1

GEARCASE

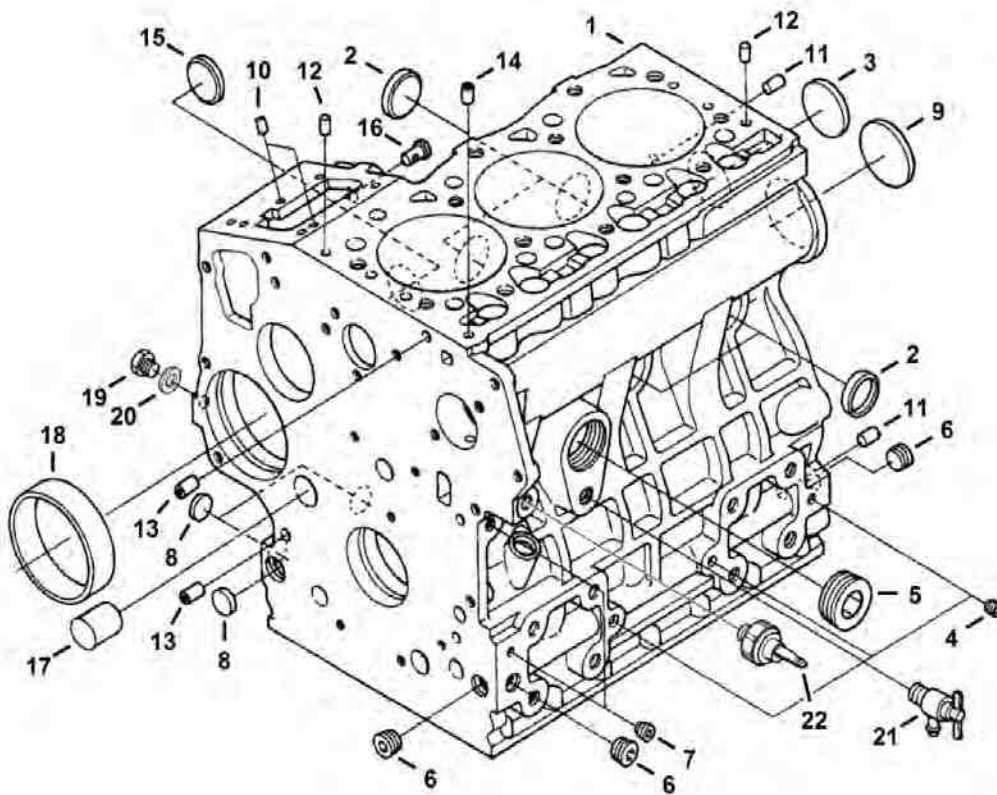


NA6114

GEARCASE (Cont'd)

Ref No	Part Number	Description	Remarks	Serial Number	Qty
1	6692540	COMP. CASE, GEAR	W/Ref. 2-13		1
2	6672360	PLUG			5
3	6652597	ADAPTER			1
4	6657554	SPRING			1
5	6657553	VALVE, SEAT			1
6	6657426	BALL			1
7	6657604	COVER			1
8	6688075	BOLT			1
9	6657422	O-RING			1
10	6670769	O-RING			1
11	6657549	ASY ROTOR			1
12	6657606	COVER			1
13	6657594	SCREW			5
14	6657479	GASKET			1
15	6657412	BOLT			3
16	6670770	BOLT			4
17	6657413	BOLT			2
18	6657457	BOLT			1
19	6657589	BOLT			2
20	6657613	BOLT			1
21	6680263	STUD			1
22	6653561	NUT			1
23	6657635	FILTER, OIL ENG			1
24	6657603	SEAL, OIL			1
25	6685924	OIL FILL CAP			1
26	6683009	O-RING			1
27	6680264	STUD			2
28	6681662	COVER			1

CRANKCASE

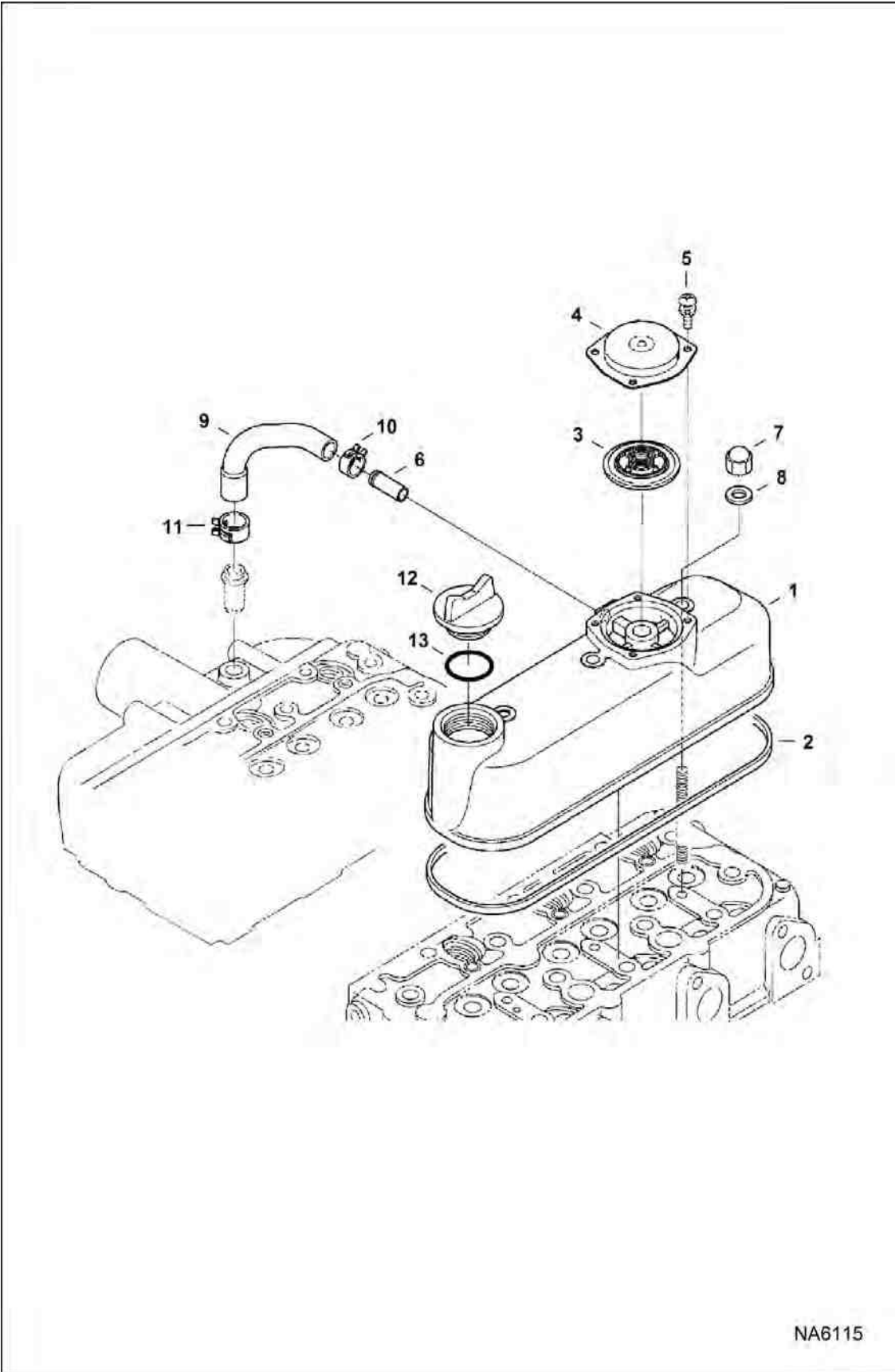


B-27220

CRANKCASE (Cont'd)

Ref No	Part Number	Description	Remarks	Serial Number	Qty
1	7001441	BLOCK ENGINE	W/Ref. 2 - 20		1
2	6657431	CAP	sealing		4
3	3974433	PLUG	sealing		1
4	6598116	PLUG			3
5	6672354	PLUG			1
6	6657600	PLUG			3
7	6652574	PLUG			2
8	6667418	PLUG	expansion		3
9	6657663	PLUG	expansion		1
10	6657423	PIN			2
11	21JM814	PIN	dowel		2
12	6657424	PIN			2
13	3974039	PIN			2
14	6657548	PIPE PIN			1
15	6657601	PLUG			1
16	6672355	PIN			1
17	6657675	PLUG			1
18	6657647	BUSHING			1
19	7022679	PLUG			1
20	3974095	GASKET, METAL			1
21	7022680	FITTING, DRAIN			1
22	6969775	SWITCH, OIL PRESSURE			1

ROCKER ARM COVER

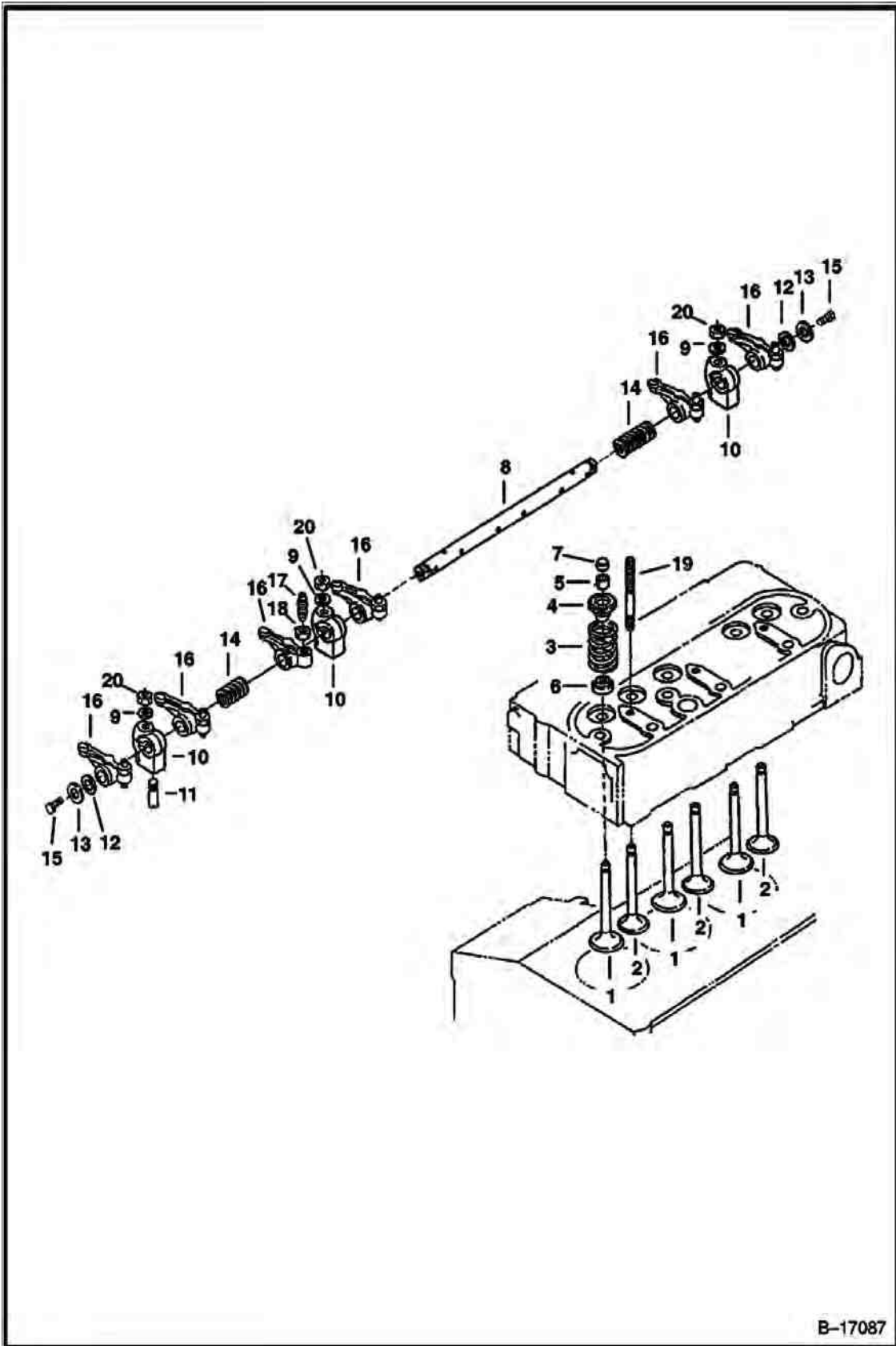


NA6115

ROCKER ARM COVER (Cont'd)

Ref No	Part Number	Description	Remarks	Serial Number	Qty
1	6686166	COVER	W/Ref. 2-6		1
2	6672365	GASKET	Was 7207541 [A]		1
3	6685087	VALVE			1
4	6969803	COVER, BREATHER			1
5	3975436	SCREW	W/washer		4
6	6655880	PIPE			1
7	6657050	CAP			3
8	6599116	GASKET			3
9	6686170	TUBE			1
10	6684776	CLAMP			1
11	6686171	CLAMP			1
12	6685924	OIL FILL CAP			1
13	6683009	O-RING			1

ROCKER ARM & VALVES

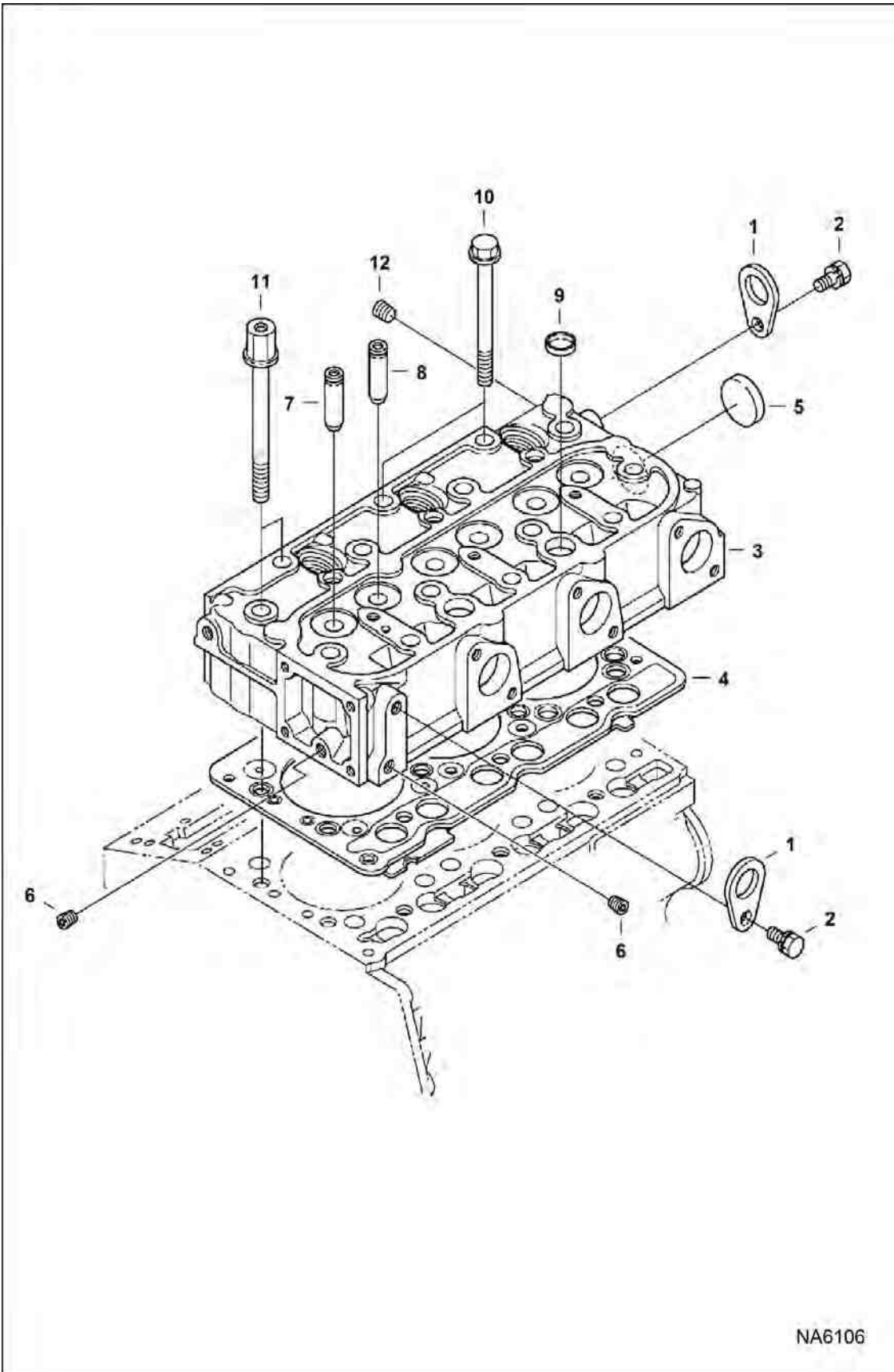


B-17087

ROCKER ARM & VALVES (Cont'd)

Ref No	Part Number	Description	Remarks	Serial Number	Qty
1	6657495	VALVE INLET	intake		3
2	6657496	VALVE, EXHAUST	exhaust		3
3	6657630	SPRING			6
4	6685959	RETAINER			6
5	7008389	RETAINER, VALVE SPRING			6
6	6672436	SEAL	valve stem		6
7	6672437	CAP			6
8	6680255	SHAFT			1
9	2EM7	WASHER			3
10	6657509	BRACKET			3
11	6680256	PIN, SPRING	spring		1
12	6657511	WASHER			2
13	6670520	WASHER			2
14	6657508	SPRING			1
15	6670521	BOLT			2
16	6657502	ASSY, ARM	W/Ref. 17 & 18		6
17	6657506	SCREW			6
18	6680881	NUT			6
19	6657510	STUD			3
20	1DM7	NUT			3

CYLINDER HEAD

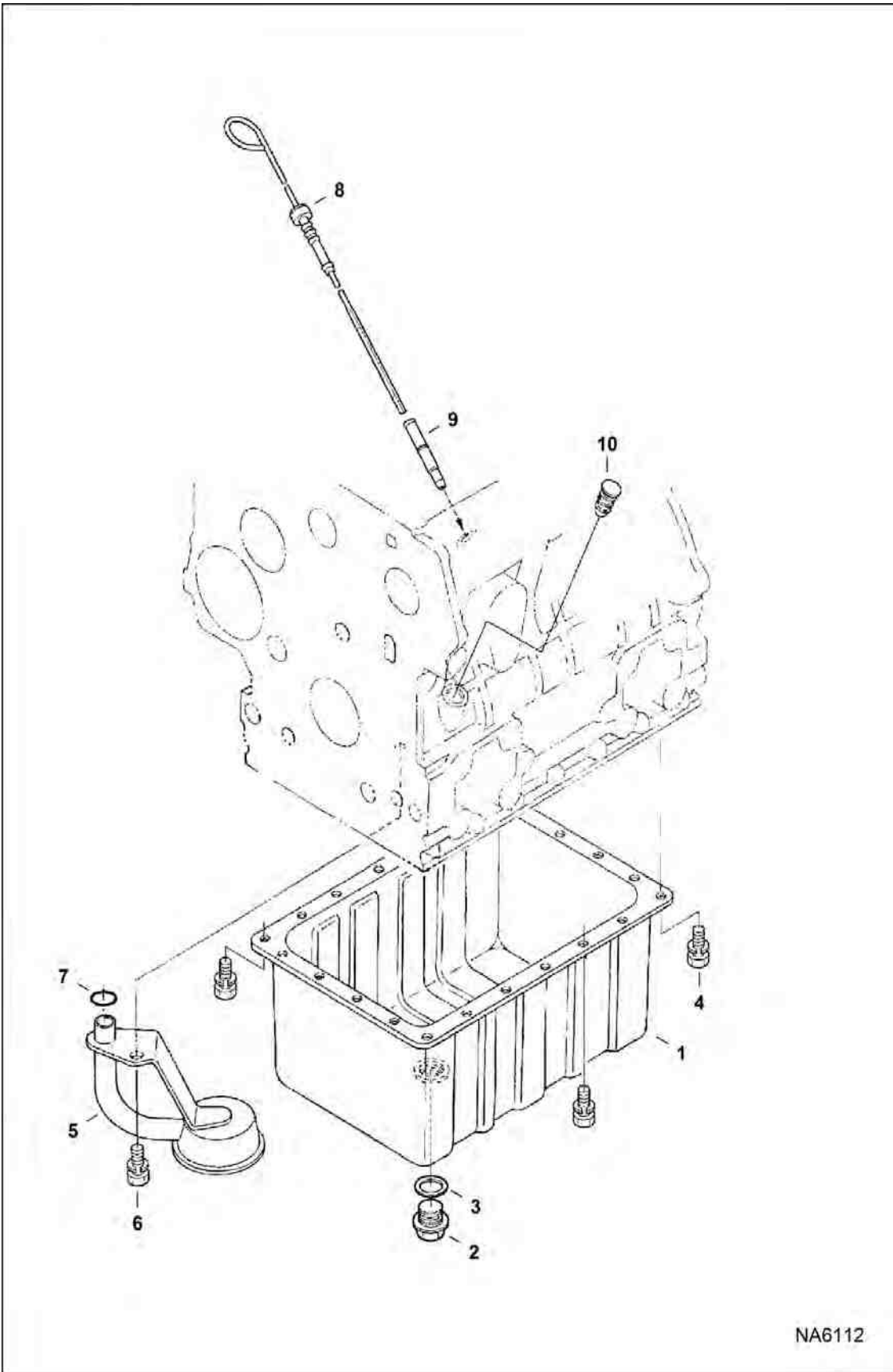


NA6106

CYLINDER HEAD (Cont'd)

Ref No	Part Number	Description	Remarks	Serial Number	Qty
1	3974882	HOOK			2
2	6667420	BOLT			2
3	6686172	HEAD, CYLINDER ASSY	W/Ref. 4 -8		1
3		HEAD, CYL KUBOTA D1105 TIER 2	NLA - Was 6686172REM [A]		1
4	6975181	GASKET, CYLINDER HEAD			1
5	3974033	CAP	sealing		1
6	6598116	PLUG			2
7	6680859	GUIDE	inlet valve		3
8	6685958	GUIDE	exhaust valve		3
9	3974056	CAP	sealing		2
10	6657478	BOLT			12
11	7022682	BOLT			2
12	6680667	PLUG			1

OIL PAN

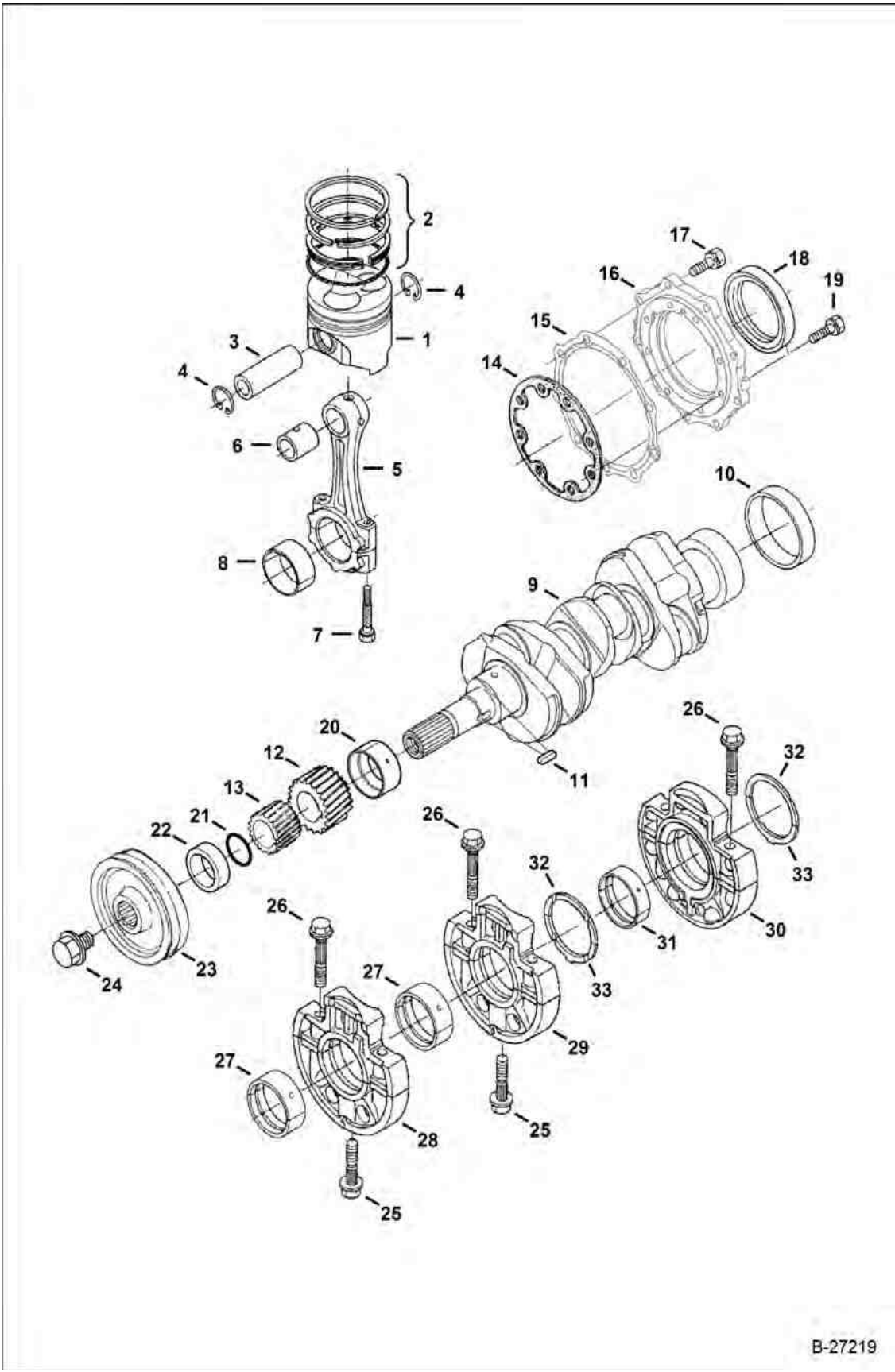


NA6112

OIL PAN (Cont'd)

Ref No	Part Number	Description	Remarks	Serial Number	Qty
1	7022681	PAN, OIL	W/Ref. 2 & 3		1
2	6680483	PLUG			1
3	6691295	GASKET			1
4	1CM614	SCREW	Was 4CM614 [A]		22
5	6698636	SCREEN, OIL ENG			1
6	6667421	BOLT			1
7	6680284	O-RING			1
8	7022683	GAUGE, OIL			1
9	6677203	TUBE,DIPSTICK			1
10	6969804	PLUG,OIL GAUGE			1

PISTON & CRANKSHAFT

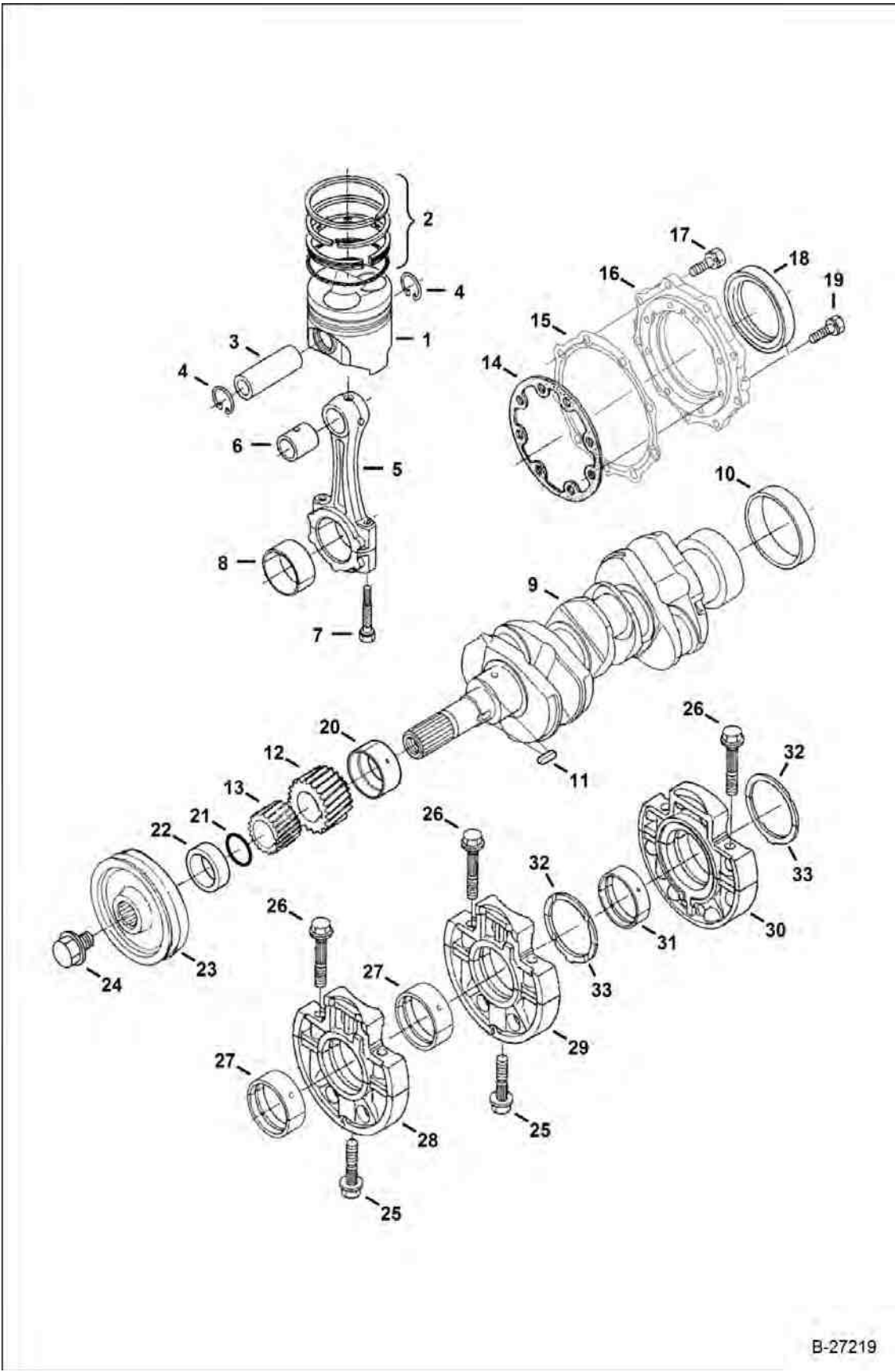


B-27219

PISTON & CRANKSHAFT (Cont'd)

Ref No	Part Number	Description	Remarks	Serial Number	Qty
1	6698613	PISTON, ENG	std (16060-2111)		3
1	6689940	PISTON	+0,50 mm (16060-2111 OS50)		3
2	6680494	RING PISTON	std		3
2	6680516	RINGS PISTON	+0,50 mm		3
3	6657521	PISTONPIN			3
4	6657522	PISTONPIN			6
5	6692542	ASSY ROD, CONNECTING	W/Ref. 6-8 - Was 6680495 [A]		3
6	6698624	BUSHING, PIN PISTON			3
7	6657526	BOLT			6
8	6680496	BEARING, ROD	std		3
8	7022770	BEARING, ENG ROD CONNECTING	-0,20 mm		3
8	7022771	BEARING, ENG ROD CONNECTING	-0,40 mm		3
9	7022684	CRANKSHAFT, ASSY	W/Ref. 10 - 13		1
10	6657530	COLLAR			1
11	6657661	KEY			1
12	7022685	GEAR, CRANKSHAFT			1
13	6657552	GEAR, DRIVE			1
14	6657480	GASKET			1
15	6698617	GASKET, COVER CASE			1
16	6657484	COVER			1
17	4CM620	BOLT	Was 1CM620 [A]		9
18	6657481	SEAL, OIL			1
19	6969895	BOLT			8
20	6680497	BEARING, ENG CRANKSHAFT	std		1
20	6680519	BEARING, ENG MAIN	-0,20 mm		1
20	6680520	BEARING	-0,40 mm		1
21	6680268	O-RING			1
22	6657531	SLEEVE			1
23	7197551	PULLEY			1
24	6680540	BOLT			1
25	6657483	BOLT			2
26	6657482	BOLT			6
27	6680498	BEARING, ENG MAIN	std		2
27	6680521	BEARING	-0,20 mm		2
27	7023136	BEARING, ENG CRANKSHAFT	-0,40 mm - Was 6680522 [A]		2
28	6691304	CASE, BEARING	main - W/Ref. 26 & 27		1
29	6691305	CASE, BEARING	main - W/Ref. 26 & 27		1
30	6691302	BEARING CASE	main - W/Ref. 26 & 31		1
31	6657534	BEARING, CRANK	std		1

PISTON & CRANKSHAFT (Cont'd)

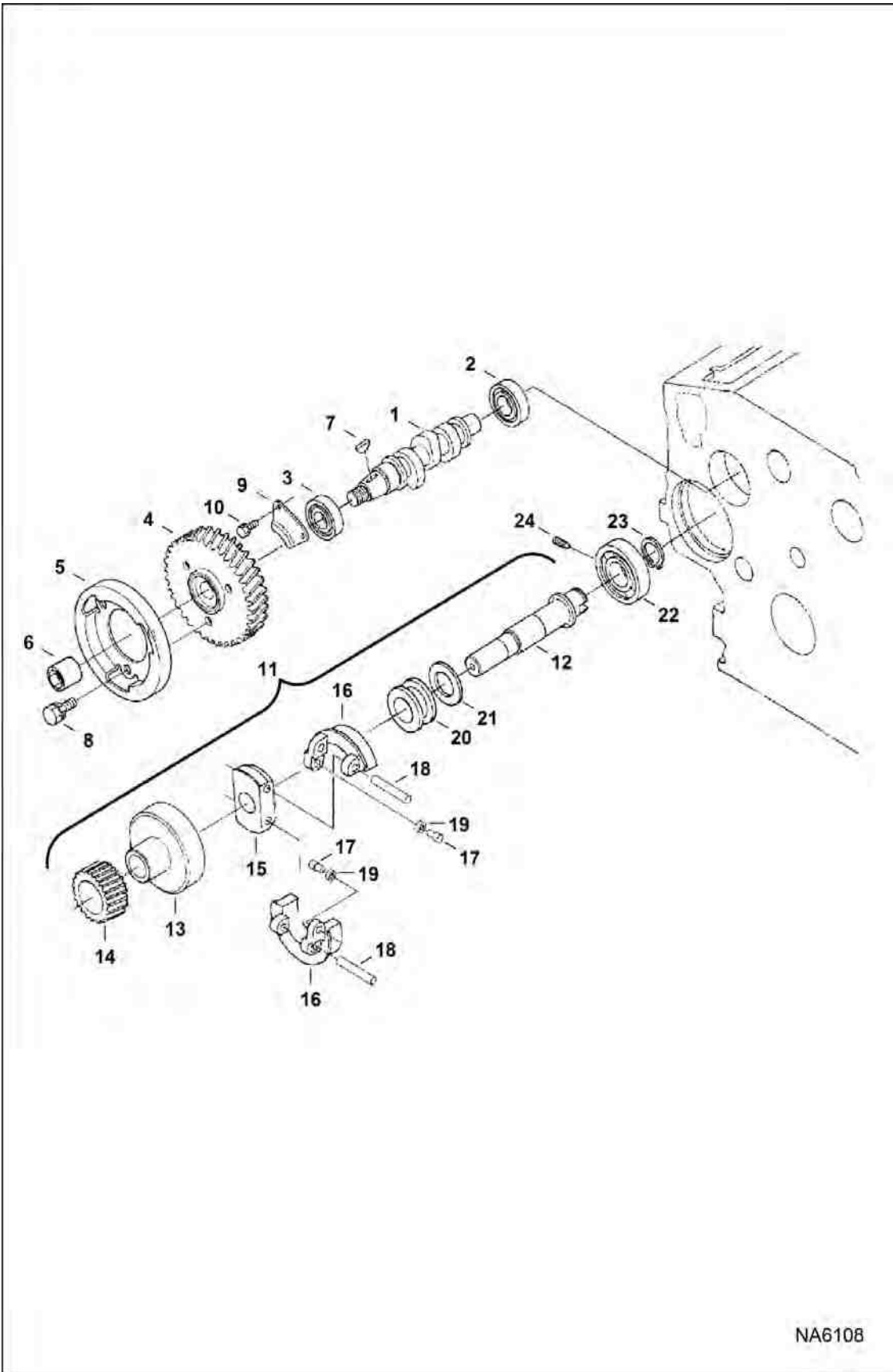


B-27219

PISTON & CRANKSHAFT (Cont'd)

Ref No	Part Number	Description	Remarks	Serial Number	Qty
31	6680270	BEARING, - 0.2mm	-0,20 mm		1
31	6680271	BEARING, - 0.4mm	-0,40 mm		1
32	3974945	WASHER, THRUST	std		2
32	7022767	WASHER, THRUST	+0,20 mm		2
32	7022768	WASHER, THRUST	+0,40 mm		2
33	6653865	WASHER, THRUST	std		2
33	6654002	WASHER, THRUST	+0,20 mm		2
33	7023138	WASHER, THRUST	0,4mm - WASHER THRUST - Was 6654003 [A]		2

FUEL CAMSHAFT

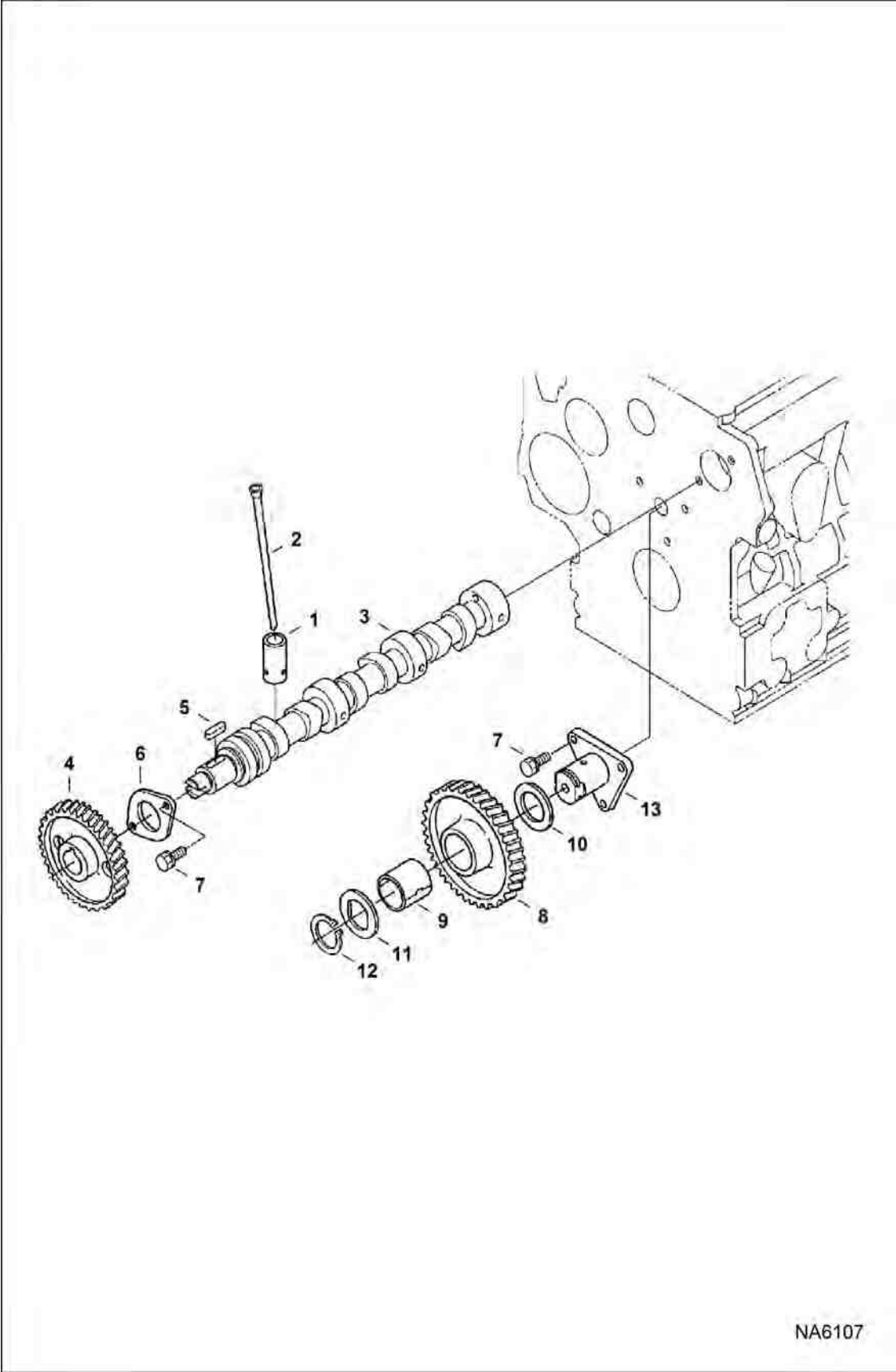


NA6108

FUEL CAMSHAFT (Cont'd)

Ref No	Part Number	Description	Remarks	Serial Number	Qty
1	6672379	CAMSHAFT	fuel		1
2	6686175	BEARING			1
3	6686176	BEARING			1
4	6691310	GEAR			1
5	7022769	CAM, FUEL			1
6	6657593	NUT			1
7	6657597	KEY			1
8	4CM612	BOLT	Was 1CM612 [A]		3
9	6657518	STOPPER			1
10	1CM616	SCREW HEX CAP	Was 4CM616 [A]		2
11	6672381	SHAFT	Ref. 12 - 21		1
12		SHAFT	NSS - Order Ref. 11		1
13	6698614	HOLDER, GEAR GOV			1
14	6657671	GEAR			1
15	6657564	HOLDER			1
16	6657562	WGHT GOV			2
17		PIN	NSS - Order Ref. 16		2
18	6657563	SHAFT			2
19	6657690	ROLLER			2
20	6657566	SLEEVE			1
21	6698615	WASHER, THRUST			1
22	6686178	BEARING			1
23	6657648	SNAP RING			1
24	6657568	SCREW			1

CAMSHAFT

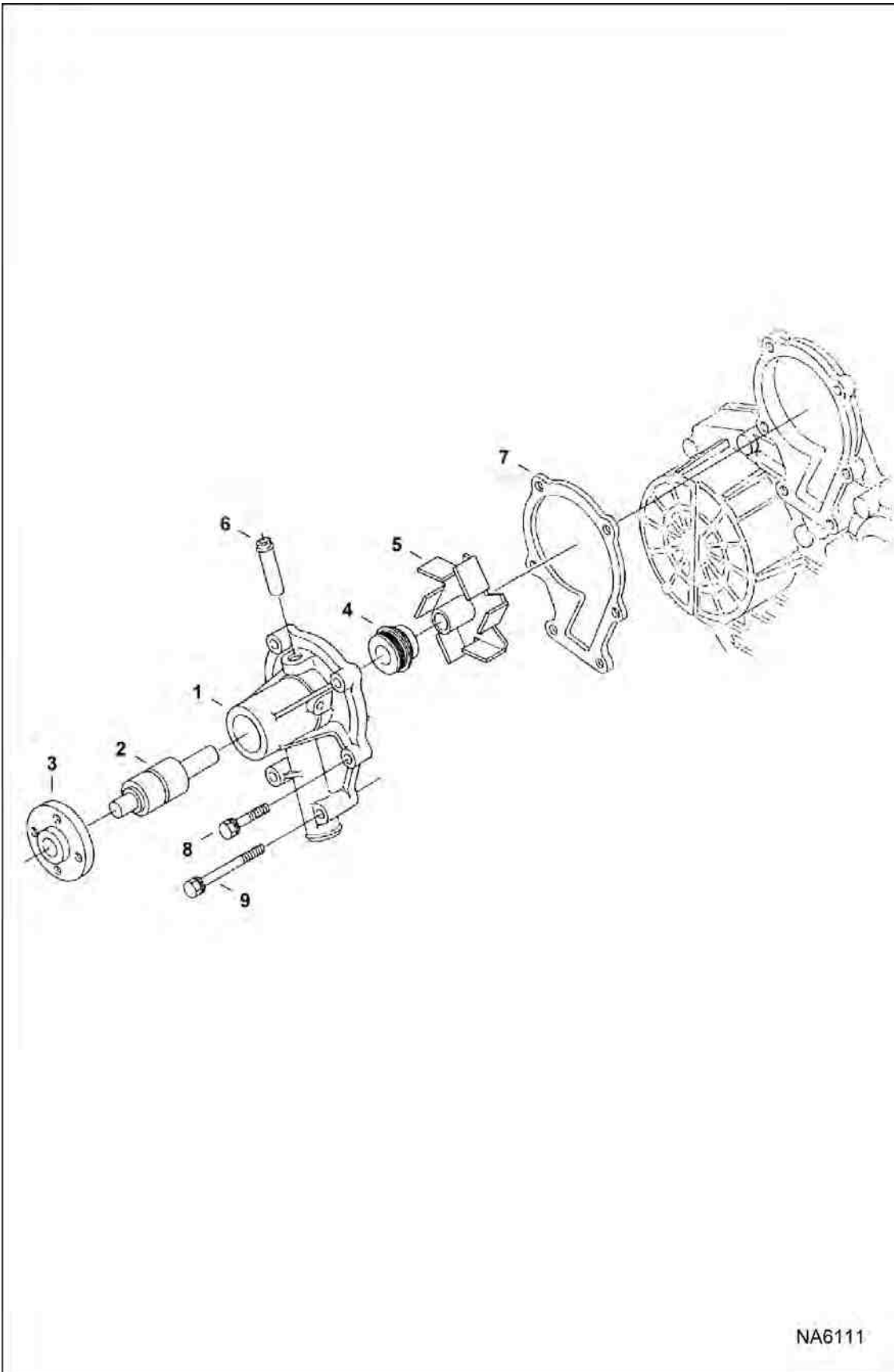


NA6107

CAMSHAFT (Cont'd)

Ref No	Part Number	Description	Remarks	Serial Number	Qty
1	6691307	TAPPET			6
2	6657515	PUSH ROD			6
3	6969896	ASSY CAMSHAFT	W/Ref. 4 - 7		1
4	6653841	GEAR	cam		1
5	6653842	KEY			1
6	6657517	STOPPER			1
7	1CM616	SCREW HEX CAP	Was 4CM616 [A]		5
8	6657632	GEAR, IDLER	idler - W/Ref. 9		1
9	6680618	BUSHING			1
10	6657544	HUB			1
11	6657545	HUB			1
12	6657543	RING, SNAP			1
13	6657542	SHAFT			1

WATER PUMP

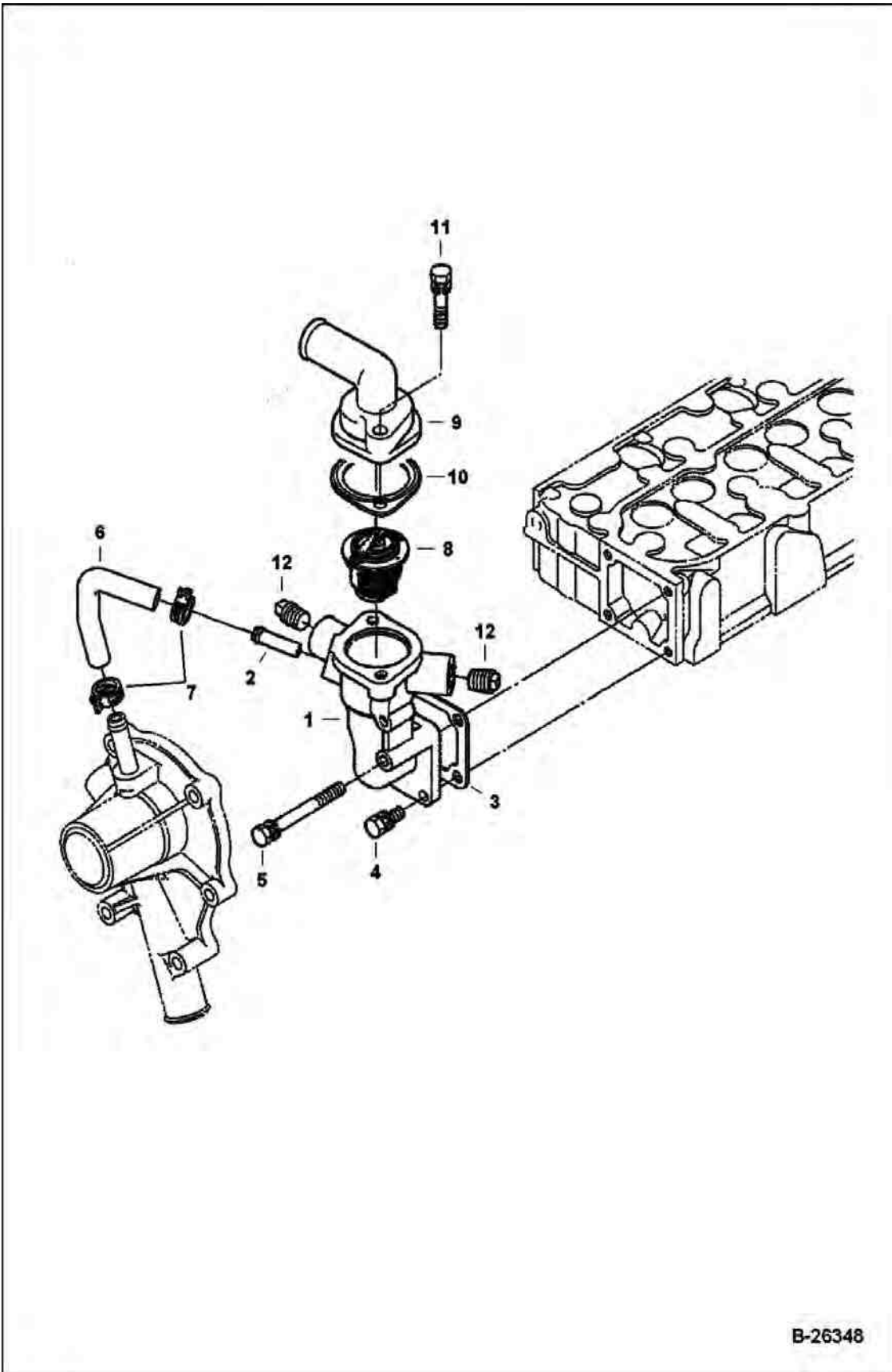


NA6111

WATER PUMP (Cont'd)

Ref No	Part Number	Description	Remarks	Serial Number	Qty
1	6680278	WATER PUMP	W/Ref. 2 - 6		1
2	6680279	FLANGE			1
3		BEARING	NSS - Order Ref. 1		1
4	6680280	SEAL			1
5	6657611	IMPELLER			1
6	6652745	PIPE			1
7	6657610	GASKET			1
8	4CM630	BOLT			4
9	6686034	BOLT			2

WATER FLANGE & THERMOSTAT

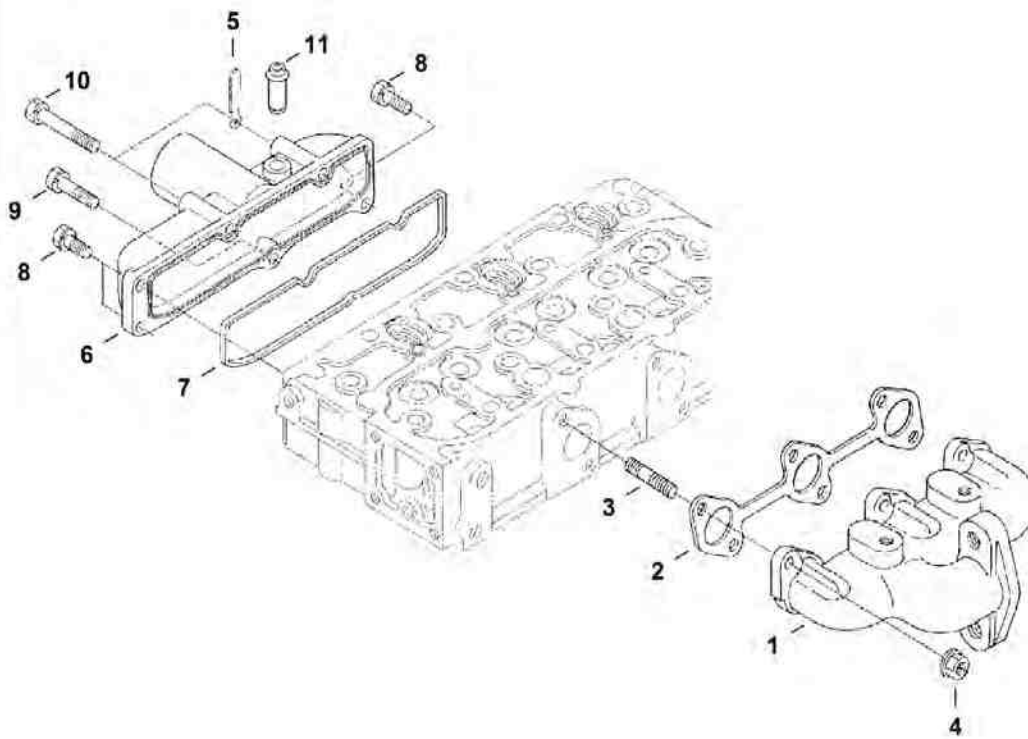


B-26348

WATER FLANGE & THERMOSTAT (Cont'd)

Ref No	Part Number	Description	Remarks	Serial Number	Qty
1	6672482	HOUSING	W/Ref. 2		1
2	6670785	ADAPTER			1
3	6657583	GASKET			1
4	1CM616	SCREW HEX CAP	Was 4CM616 [A]		3
5	6670770	BOLT			1
6	6657584	PIPE			1
7	6680580	CLAMP			2
8	6674172	THERMOSTAT			1
9	6691325	COVER			1
10	6684863	GASKET			1
11	1CM835	BOLT			2
12	6684857	PLUG			2

MANIFOLDS

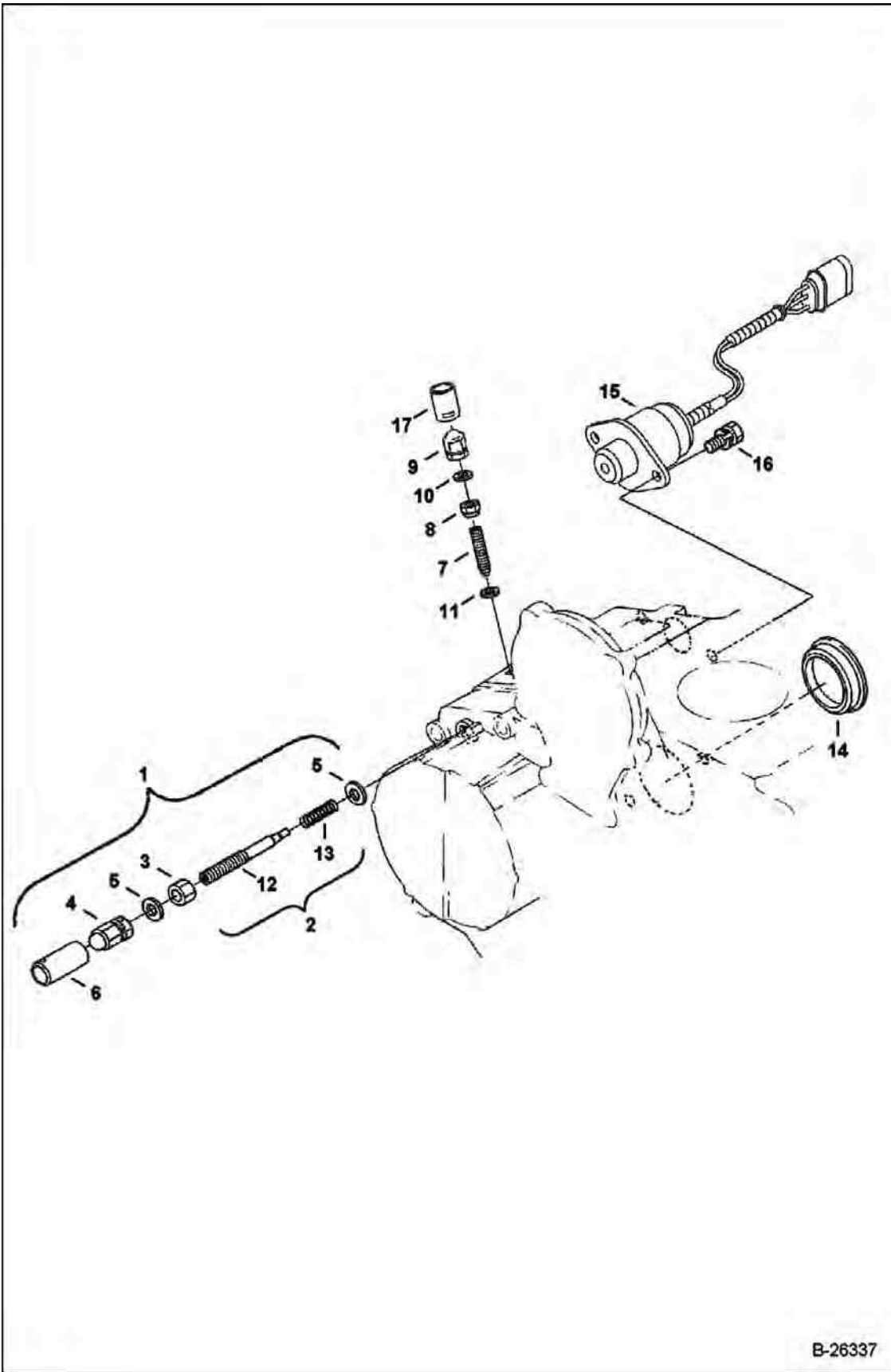


NA6113

MANIFOLDS (Cont'd)

Ref No	Part Number	Description	Remarks	Serial Number	Qty
1	7022689	MANIFOLD, EXHAUST	exhaust		1
2	6672441	GASKET			1
3	6657590	STUD			6
4	6657591	NUT			6
5	6969973	CLAMP, CORD			1
6	6686187	MANIFOLD, INLET	Intake - W/Ref. 7 & 11		1
7	6672443	GASKET			1
8	6652580	BOLT			3
9	4CM630	BOLT			1
10	6670770	BOLT			2
11	6680689	ADAPTER			1

IDLE APPARATUS & STOP SOLENOID

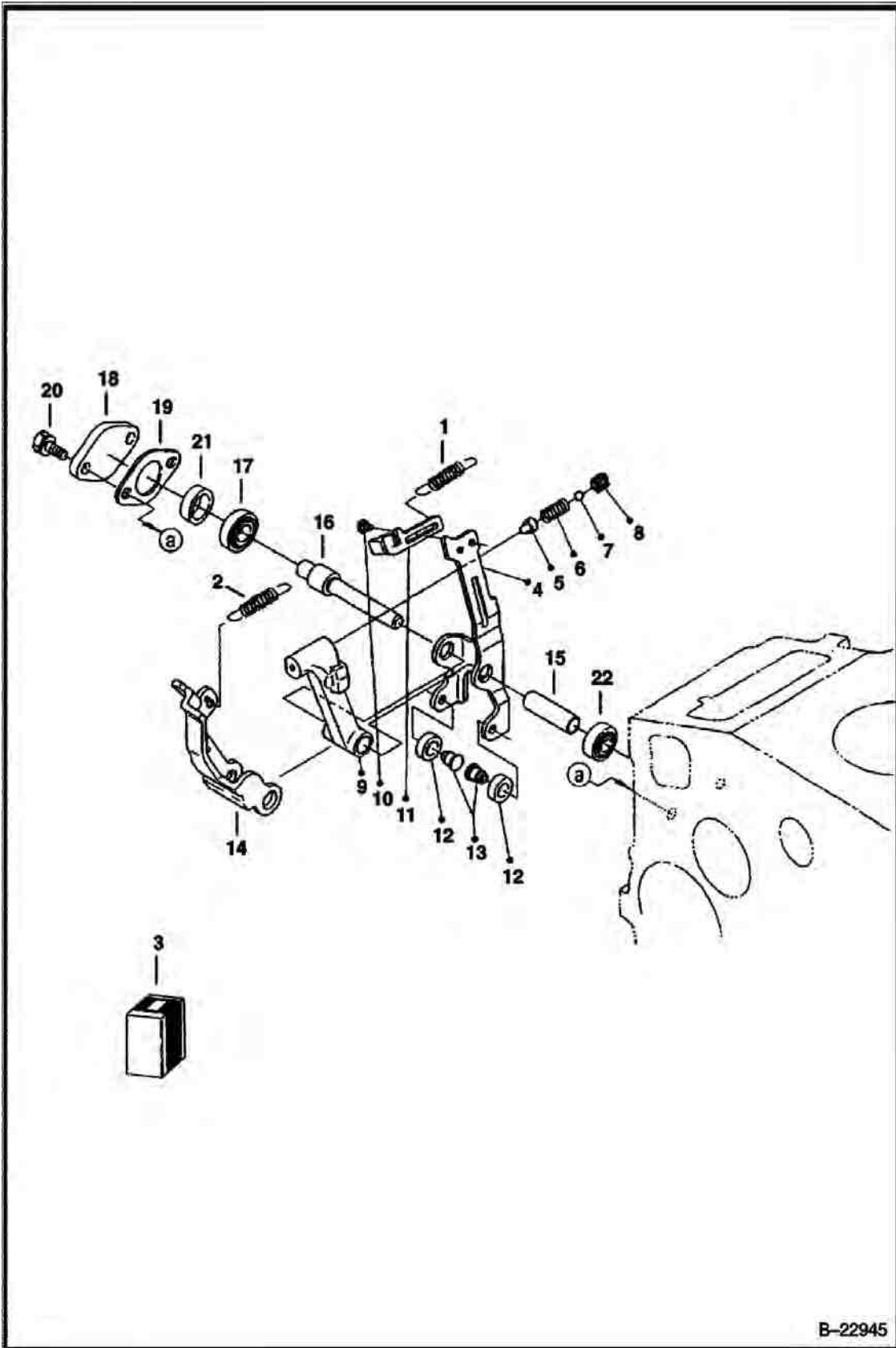


B-26337

IDLE APPARATUS & STOP SOLENOID (Cont'd)

Ref No	Part Number	Description	Remarks	Serial Number	Qty
1	6681683	ASSEMBLY IDLE	W/Ref. 2-6		1
2	6657608	ASSY BOLT	W/Ref. 3, 12-13		1
3	6657459	NUT			1
4	6657470	NUT			1
5	3974972	GASKET			2
6	6672384	CAP			1
7	6657560	BOLT			1
8	6680272	NUT			1
9	6657470	NUT			1
10	3974972	GASKET			1
11	6687687	GASKET	- idle assy		1
12		STUD	NSS - Order Ref. 2		1
13		SPRING	NSS - Order Ref. 2		1
14	6672387	COVER	2.125" OD		1
15	6691313	SOLENOID,STOP			1
16	6698610	BOLT			2
17	6672384	CAP			1

GOVERNOR



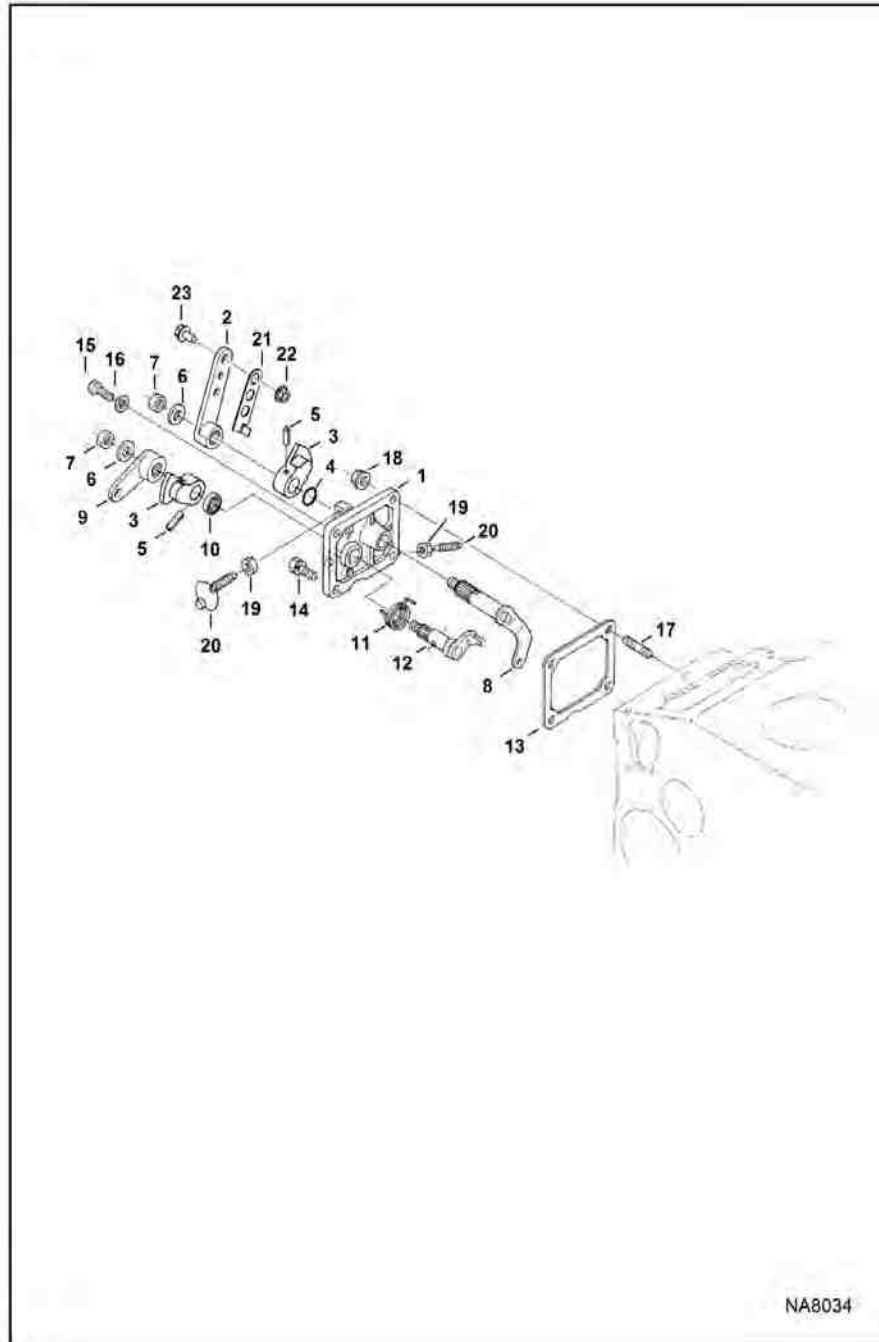
B-22945

GOVERNOR (Cont'd)

Ref No	Part Number	Description	Remarks	Serial Number	Qty
1	6672397	SPRING			1
2	6691319	SPRING			1
3	7022686	LEVER, FORK ASSY	W/Ref. 4 - 17		1
4		LEVER	NSS		1
5		RETAINER	NSS		1
6		SPRING	NSS		1
7		BALL	NSS		1
8		SCREW	NSS		1
9		LEVER	NSS		1
10		BOLT	NSS		2
11		BRACKET	NSS		1
12		ROLLER	NSS		2
13		PIN	NSS		1
14	6686180	LEVER			1
15	6686181	SHAFT			1
16	6686182	SHAFT			1
17	6657575	BEARING, BALL			1
18	6698616	COVER, SHAFT			1
19	6657574	GASKET			1
20	4CM612	BOLT	Was 1CM612 [A]		2
21	6657572	HUB			1
22	6657576	BEARING, BALL			1

SPEED CONTROL PLATE

24

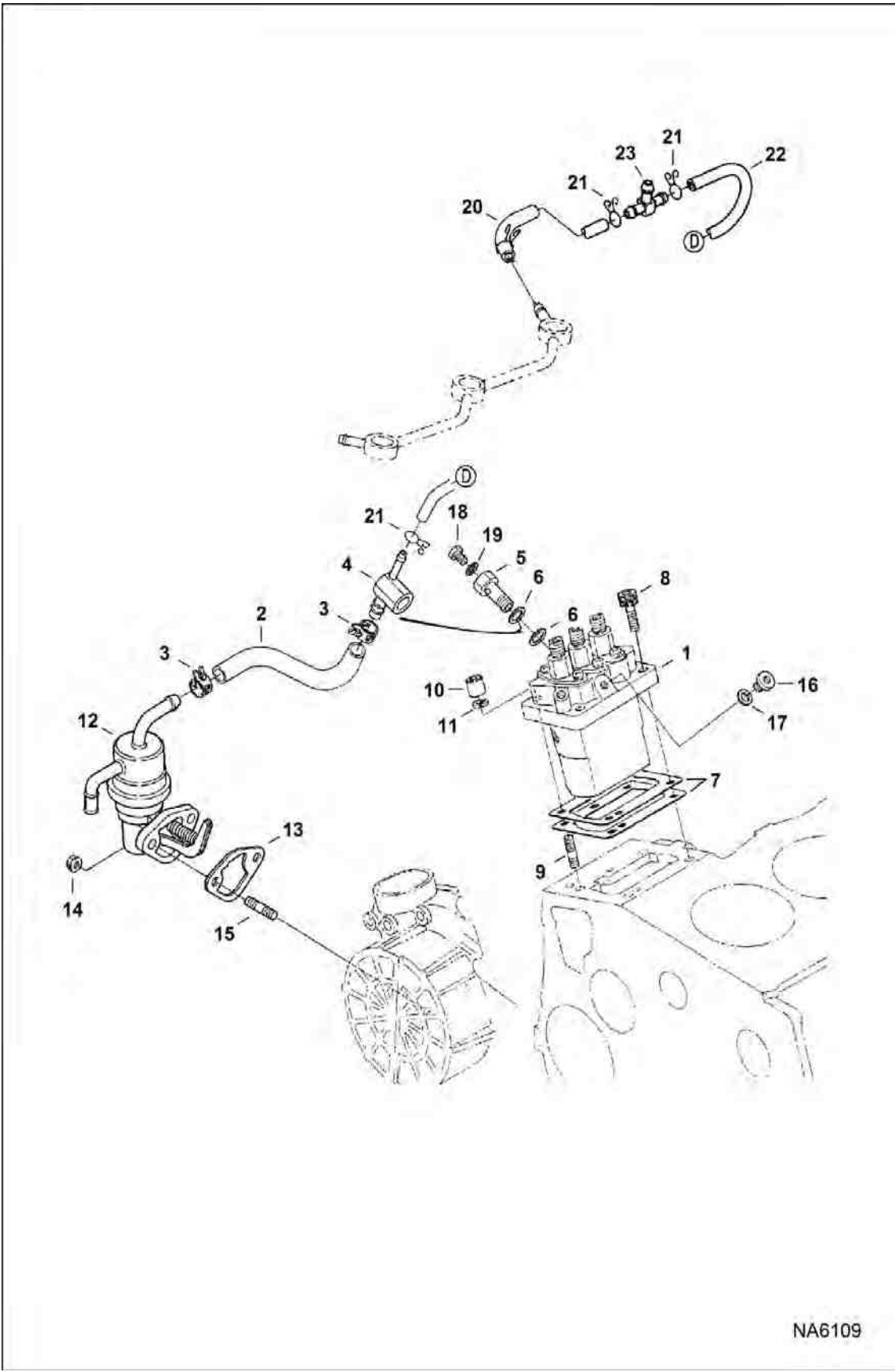


NA8034

SPEED CONTROL PLATE (Cont'd)

Ref No	Part Number	Description	Remarks	Serial Number	Qty
1	6680501	ASSY, PLATE	W/Ref. 2-12		1
2	6657655	LEVER			1
3	6657577	LEVER			2
4	6680277	O-RING			1
5	6598098	PIN			2
6	6657596	WASHER			2
7	6657592	NUT			2
8	6657649	ASSY, LEVER			1
9	6657656	LEVER			1
10	6598703	SEAL			1
11	6657474	SPRING			1
12	6657657	SHAFT			1
13	6657578	GASKET			1
14	1CM616	SCREW HEX CAP	Was 4CM616 [A]		1
15	4CM618	BOLT			1
16	3974972	GASKET			1
17	6680264	STUD			2
18	6670533	NUT			2
19		NUT	NSS - Order Ref. 1		1
20		BOLT, ADJUSTING	NSS - Order Ref. 1 - W/security wire		1
21	7231788	PLATE, STOP			1
22	51DM6	NUT HX THDLK PREAPPL			1
23	29CM612	BOLT, FLANGED			1

INJECTION PUMP & FUEL PUMP

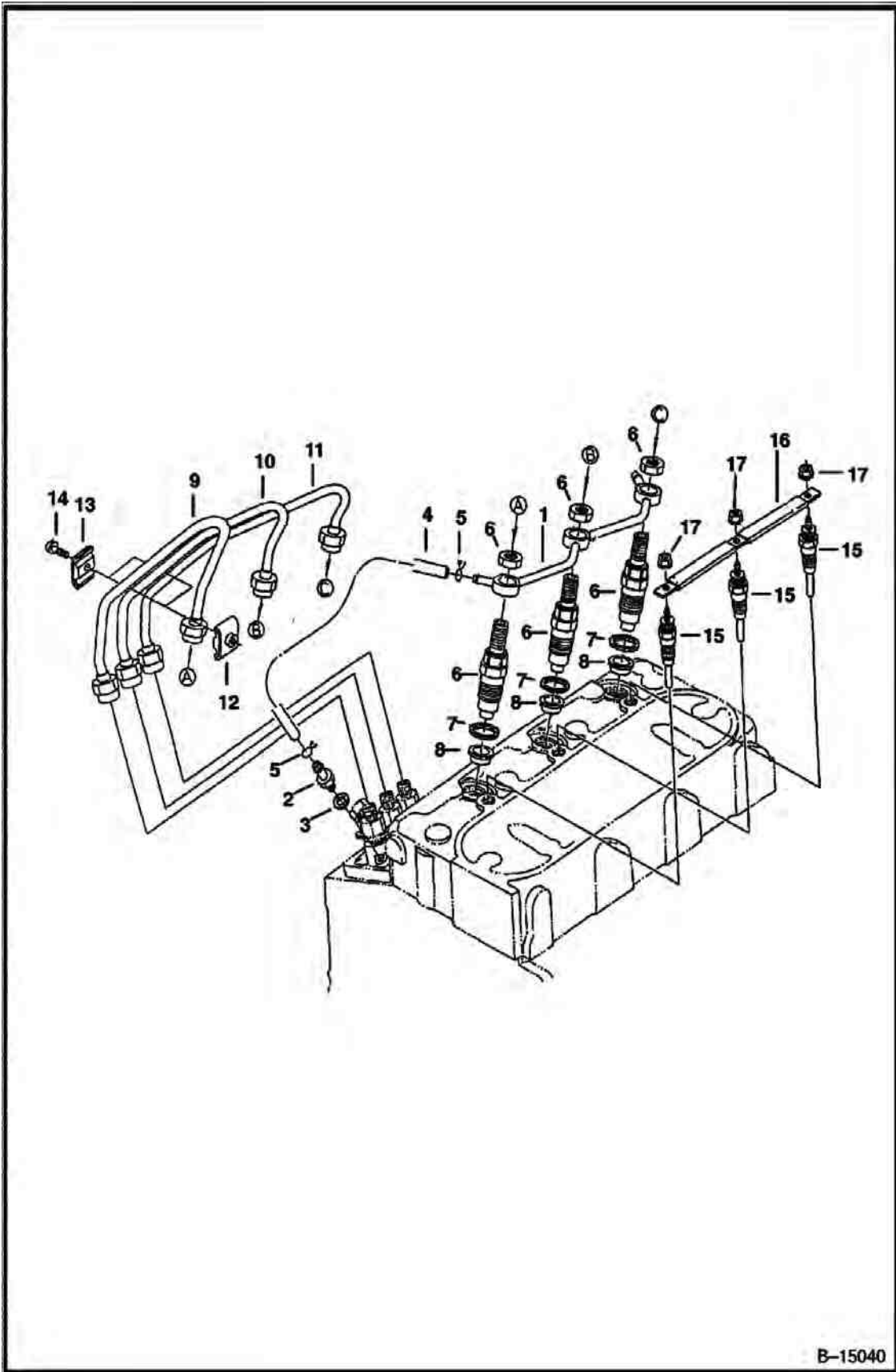


NA6109

INJECTION PUMP & FUEL PUMP (Cont'd)

Ref No	Part Number	Description	Remarks	Serial Number	Qty
1	6672389	PUMP, FUEL INJ			1
1	6672389REM	PUMP, FUEL INJ. KUBOTA D1105			1
2	6672388	TUBE			1
3	6680274	CLAMP			2
4	6969904	JOINT, EYE			1
5	6672395	BOLT			1
6	6657466	GASKET			2
7	6698160	SHIM, INJECTION PUMP	0.175 mm		x
7	6670433	SHIM	0.20 mm		x
7	6672391	SHIM	0.25 mm		x
7	6670777	SHIM	0.30 mm		x
7	6698147	SHIM, INJECTION PUMP	0.35 mm		x
8	7000503	BOLT	hex soc hd W/washer		2
9	6657458	STUD			2
10	6657461	NUT			2
11	6667419	WASHER			4
12	6672427	FUEL PUMP			1
13	7010133	GASKET, PUMP FUEL			1
14	6670533	NUT			2
15	6680264	STUD			2
16	6672396	PLUG			1
17	6670446	WASHER			1
18	6657445	SCREW			1
19	6657467	GASKET			1
20	6680624	TUBE			1
21	6680795	CLAMP			4
22	6680627	TUBE			1
23	6680797	TEE			1

INJECTOR NOZZLES

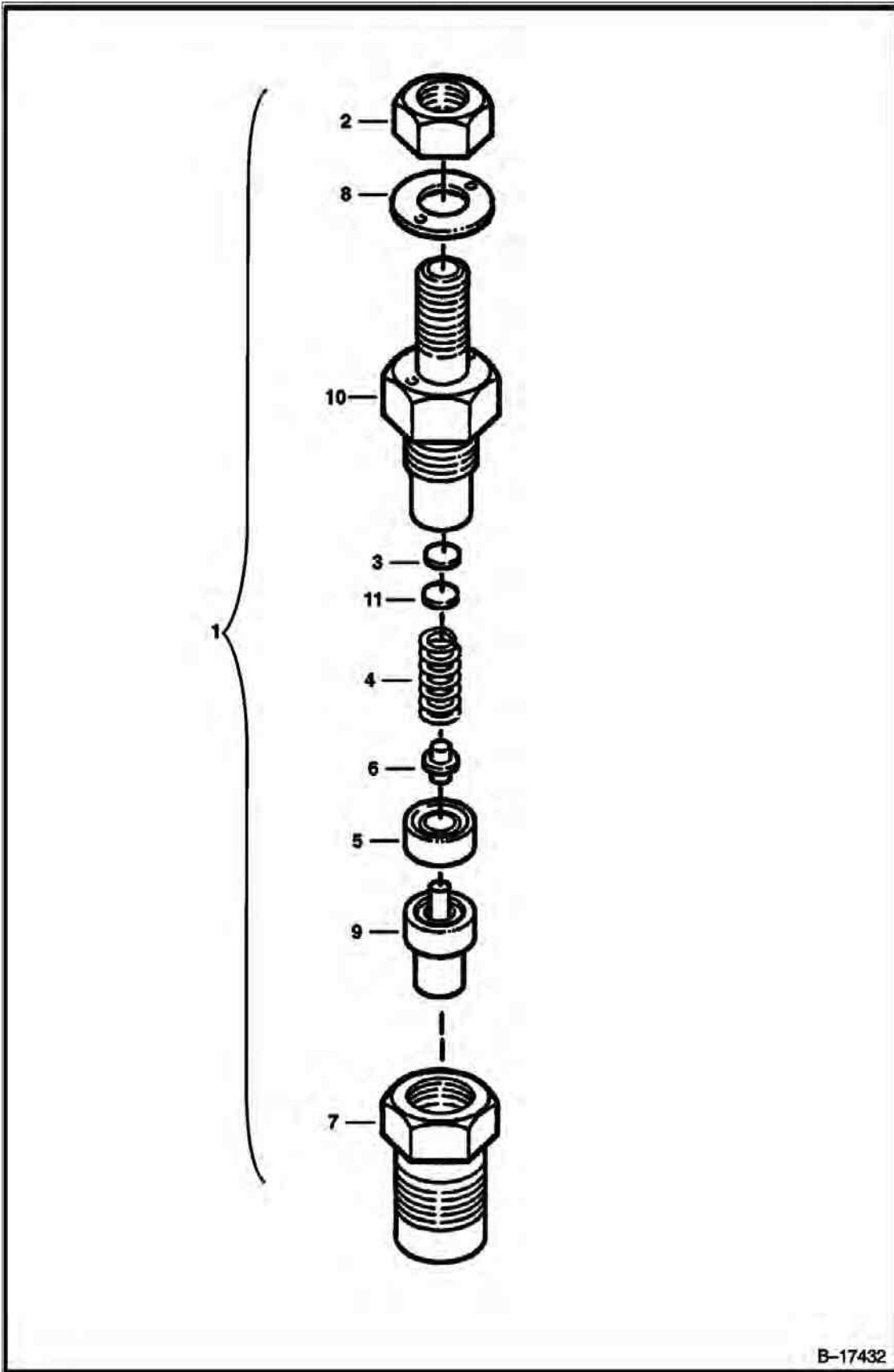


B-15040

INJECTOR NOZZLES (Cont'd)

Ref No	Part Number	Description	Remarks	Serial Number	Qty
1	6672404	PIPE			1
2	6657446	SCREW			1
3	3974972	GASKET			1
4	6670464	HOSE	W/Ref. 5		1
5	6654718	CLAMP 5	pipe		2
6		HOLDER	See Illustration NOZZLE HOLDER / B17432 W/nut		3
7	6655218	GASKET			3
8	6655872	SEAL			3
9	6672406	PIPE			1
10	6657643	PIPE			1
11	6657644	PIPE			1
12	6652688	CLAMP			2
13	6652689	CLAMP			2
14	3974260	SCREW	W/ washer		2
15	6698618	GLOW PLUG	W/nut		3
16	6672407	CORD			1
17	6670472	NUT			3

NOZZLE HOLDER

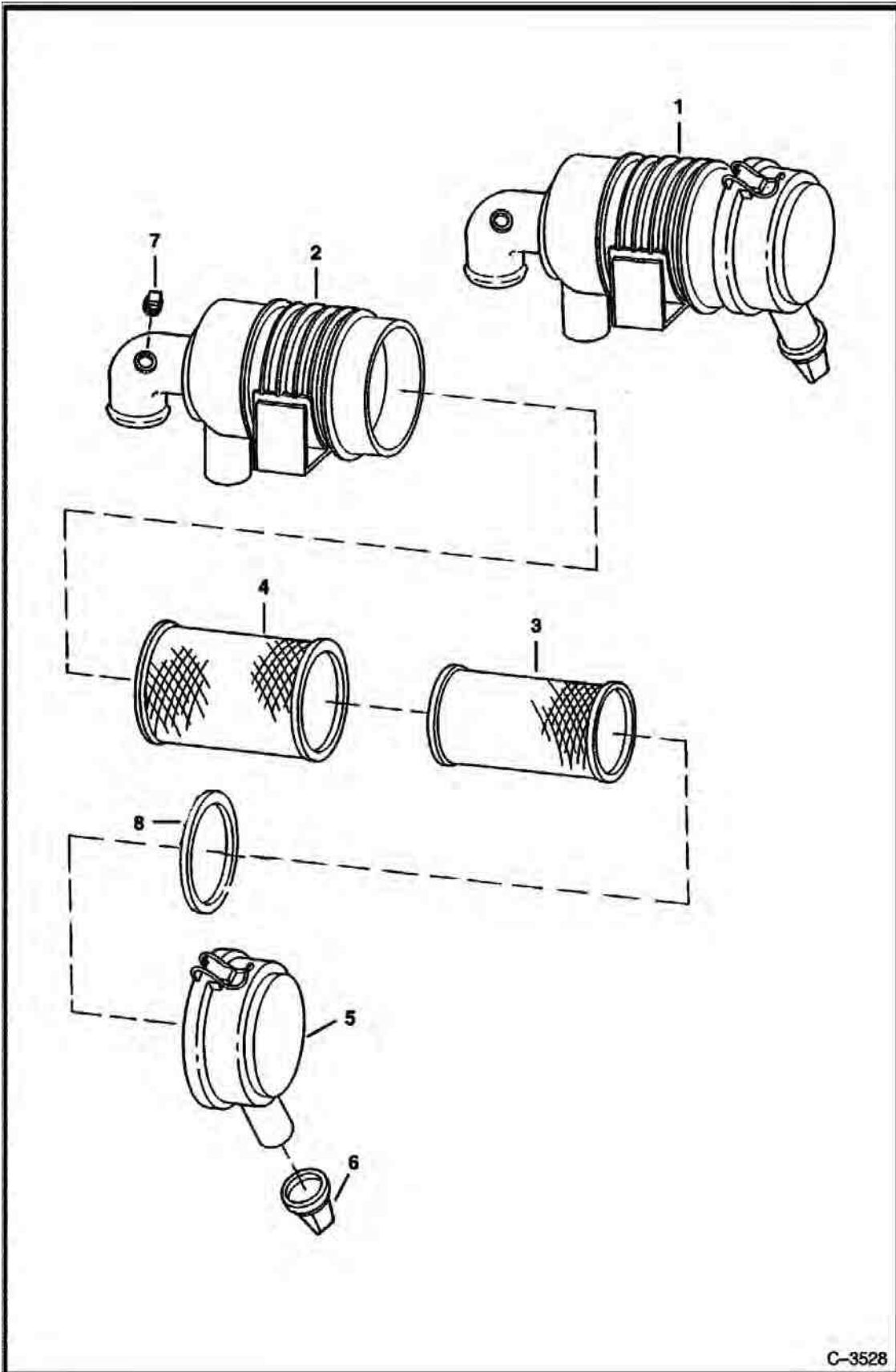


B-17432

NOZZLE HOLDER (Cont'd)

Ref No	Part Number	Description	Remarks	Serial Number	Qty
1	6687911	HOLDER	Ref. 2-13		3
1		NOZZLE FUEL INJECTION	NLA - Use 6687911 - Was 6687911REM [A]		3
2	6672408	NUT			3
3	6672409	WASHER			3
4	6672410	SPRING			3
5	6672411	SPACER			3
6	6672412	PUSH ROD			3
7	6672413	NUT			3
8	6672414	WASHER			3
9	6686184	NOZZLE			3
10		HOLDER	NSS - Order Ref. 1		3
11	6672416	KIT, WASHER			3
11	6672417	WASHER	adjusting - 0.10mm		3
11	6672418	WASHER	adjusting - 0.20mm		3
11	6672419	WASHER	adjusting - 0.30mm		3
11	6672420	WASHER	adjusting - 0.40mm		3
11	6672421	WASHER	adjusting - 0.50mm		3
11	6672422	WASHER	adjusting - 0.52mm		3
11	6672423	WASHER	adjusting - 0.54mm		3
11	6672424	WASHER	adjusting - 0.56mm		3
11	6672425	WASHER	adjusting - 0.58mm		3
11	6672426	WASHER	adjusting - 0.80mm		3

AIR FILTER

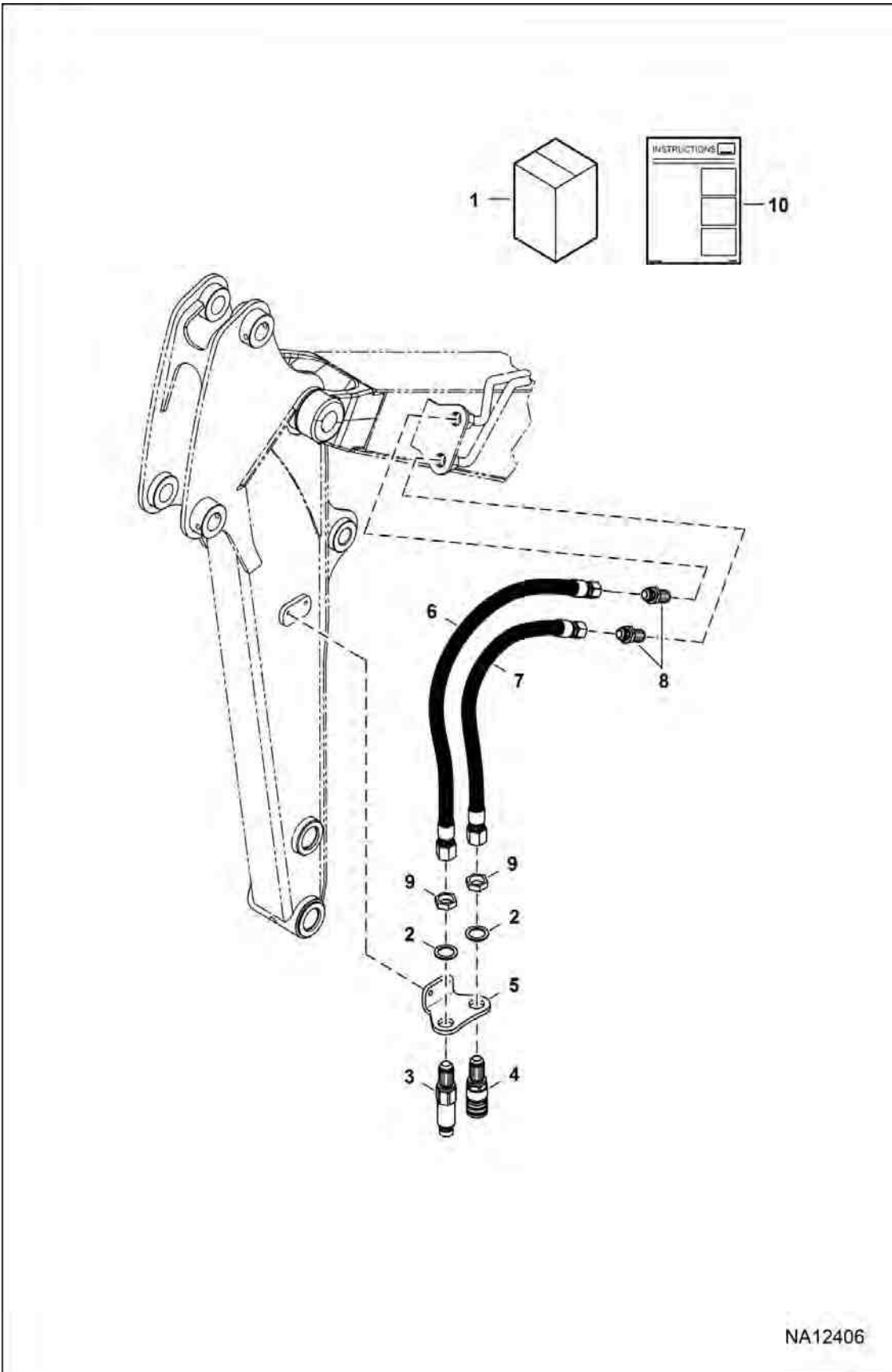


C-3528

AIR FILTER (Cont'd)

Ref No	Part Number	Description	Remarks	Serial Number	Qty
1	6675529	FILTER, AIR	assy - W/Ref. 2-8		1
2		HOUSING	NSS - Order Ref. 1		1
3	6673753	FILTER, AIR INNER			1
4	6673752	FILTER, AIR OUTER			1
5	6675700	COVER	includes latch		1
5	6680837	LATCH	yellow		1
6	6675701	VALVE			1
7	6675699	PLUG			1
8	6679755	GASKET			1

AUXILIARY COUPLER ARM KIT

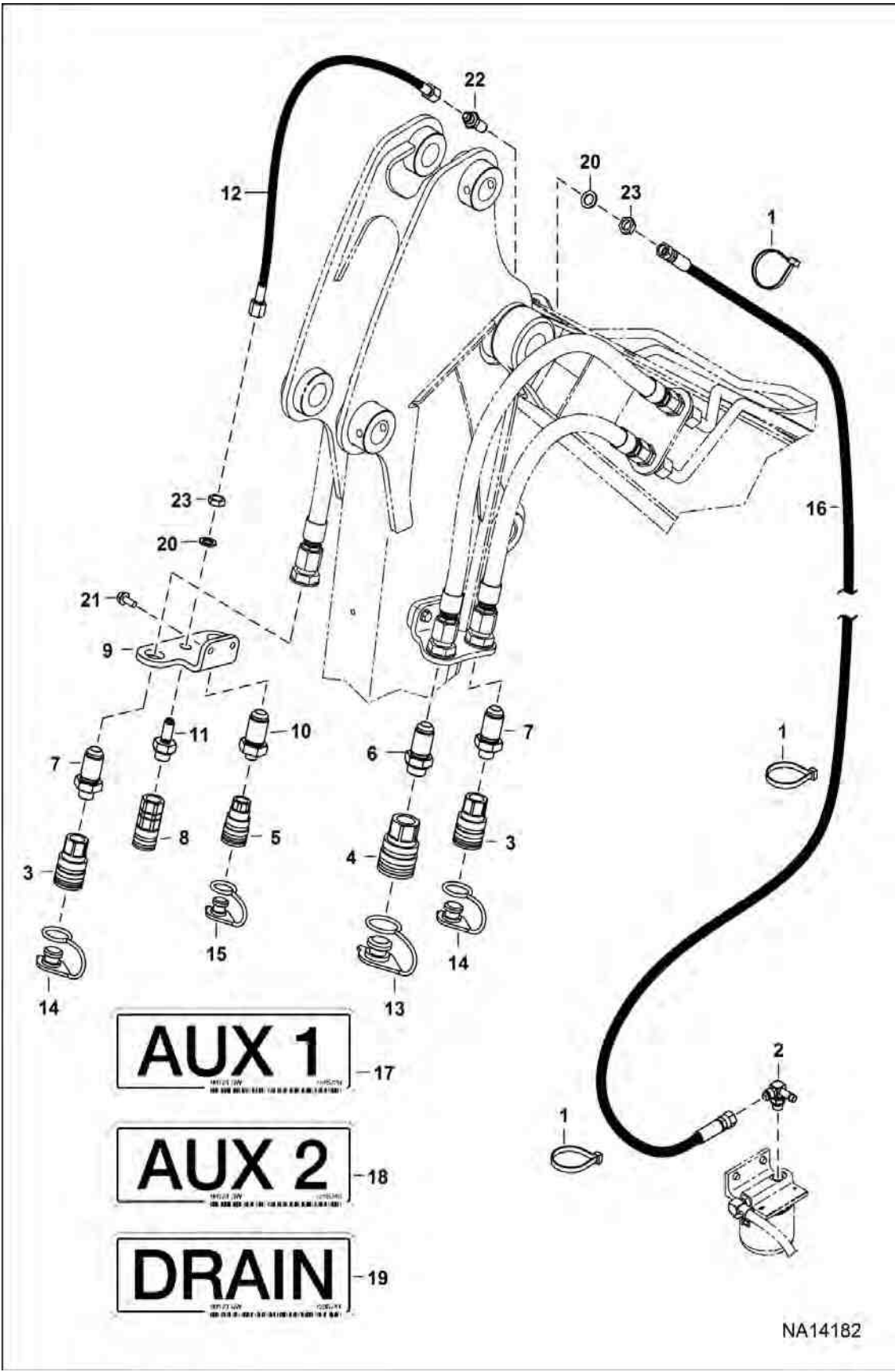


NA12406

AUXILIARY COUPLER ARM KIT (Cont'd)

Ref No	Part Number	Description	Remarks	Serial Number	Qty
1	7303216	KIT, AUX	Ref. 2-10		1
1	7303217	KIT, AUX	Ref. 2-10		1
2	6589699	WASHER			2
3	7246779	COUPLER, FF MALE			1
4	7246793	COUPLER, FF FEMALE			1
5	7279030	PLATE, AUXILIARY			1
6	7281993	HOSE, HYD ASSY	std arm		1
6	7282159	HOSE, HYD ASSY	long arm		1
7	7281994	HOSE, HYD ASSY	std arm		1
7	7282163	HOSE, HYD ASSY	long arm		1
8	45K7	CONNECTR			2
9	86F8	NUT 5			2
10	6990322ENUS	INSTRUCTIONS	Was 6990322 [A]		1

AUXILIARY EXTENSION (Kiloutou Option)



AUX 1 17

AUX 2 18

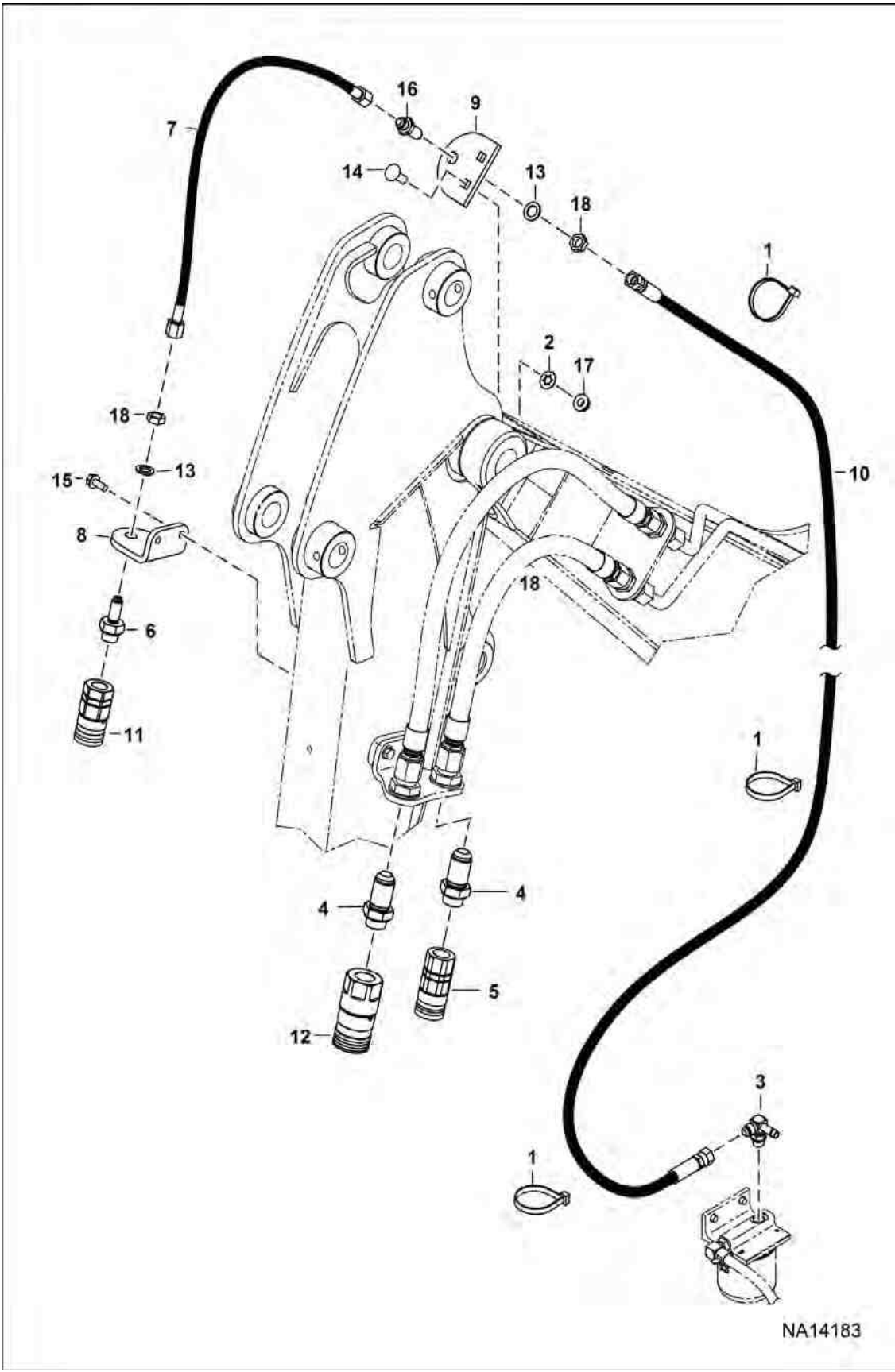
DRAIN 19

NA14182

AUXILIARY EXTENSION (Cont'd)
(Kiloutou Option)

Ref No	Part Number	Description	Remarks	Serial Number	Qty
1	6624289	STRAP, TIE			4
2	7244914	FITTING			1
3	7280733	COUPLER IRC 1/2			2
4	7280734	COUPLER IRC 3/4			1
5	7280735	COUPLER IRC 3/8			1
6	7280736	FITTING			1
7	7280738	FITTING			2
8	7280741	COUPLER 1/2			1
9	7283448	PLATE AUX			1
10	7283454	FITTING			1
11	7283455	FITTING			1
12	7283507	HOSE HYDRAULIC ASSY			1
13	7284963	PLUG			1
14	7284966	PLUG			2
15	7284967	PLUG			1
16	7286428	HOSE HYDRAULIC ASSY			1
17	7295739	DECAL, AUX 1ST			1
18	7295740	DECAL, AUX 2ND			2
19	7295741	DECAL, DRAIN			1
20	15EM140	WASHER			2
21	29CM820	SCREW FLNGE HEX CAP			2
22	45K5	FITTING			1
23	86F5	NUT			2

AUXILIARY EXTENSION (Loxam Option)

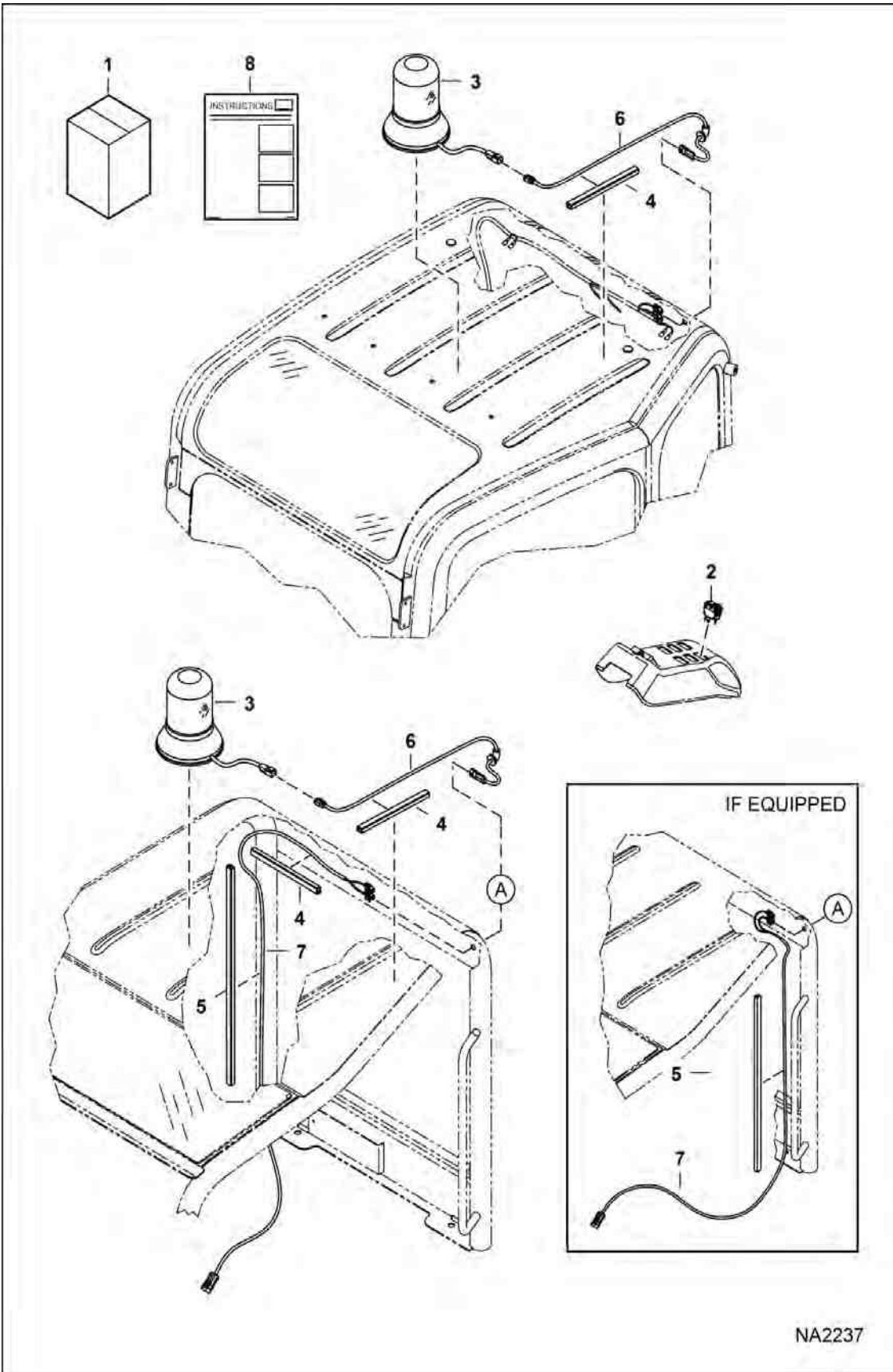


NA14183

AUXILIARY EXTENSION (Cont'd)
(Loxam Option)

Ref No	Part Number	Description	Remarks	Serial Number	Qty
1	6624289	STRAP, TIE			4
2	6674264	RETAINER NUT			2
3	7244914	FITTING			1
4	7280736	FITTING			2
5	7280755	COUPLER 3/4			1
6	7283455	FITTING			1
7	7283507	HOSE HYDRAULIC ASSY			1
8	7283518	PLATE AUXILIARY			1
9	7284730	PLATE AUX			1
10	7286428	HOSE HYDRAULIC ASSY			1
11	7295371	COUPLER FEMALE 1/2			1
12	7295372	COUPLER FEMALE 3/4			1
13	15EM140	WASHER			2
14	28CM1030	BOLT CARRIAGE 8.8			2
15	29CM820	SCREW FLNGE HEX CAP			2
16	45K5	FITTING			1
17	51DM10	NUT HX THDLK PREAPPL			2
18	86F5	NUT			2

BEACON KIT

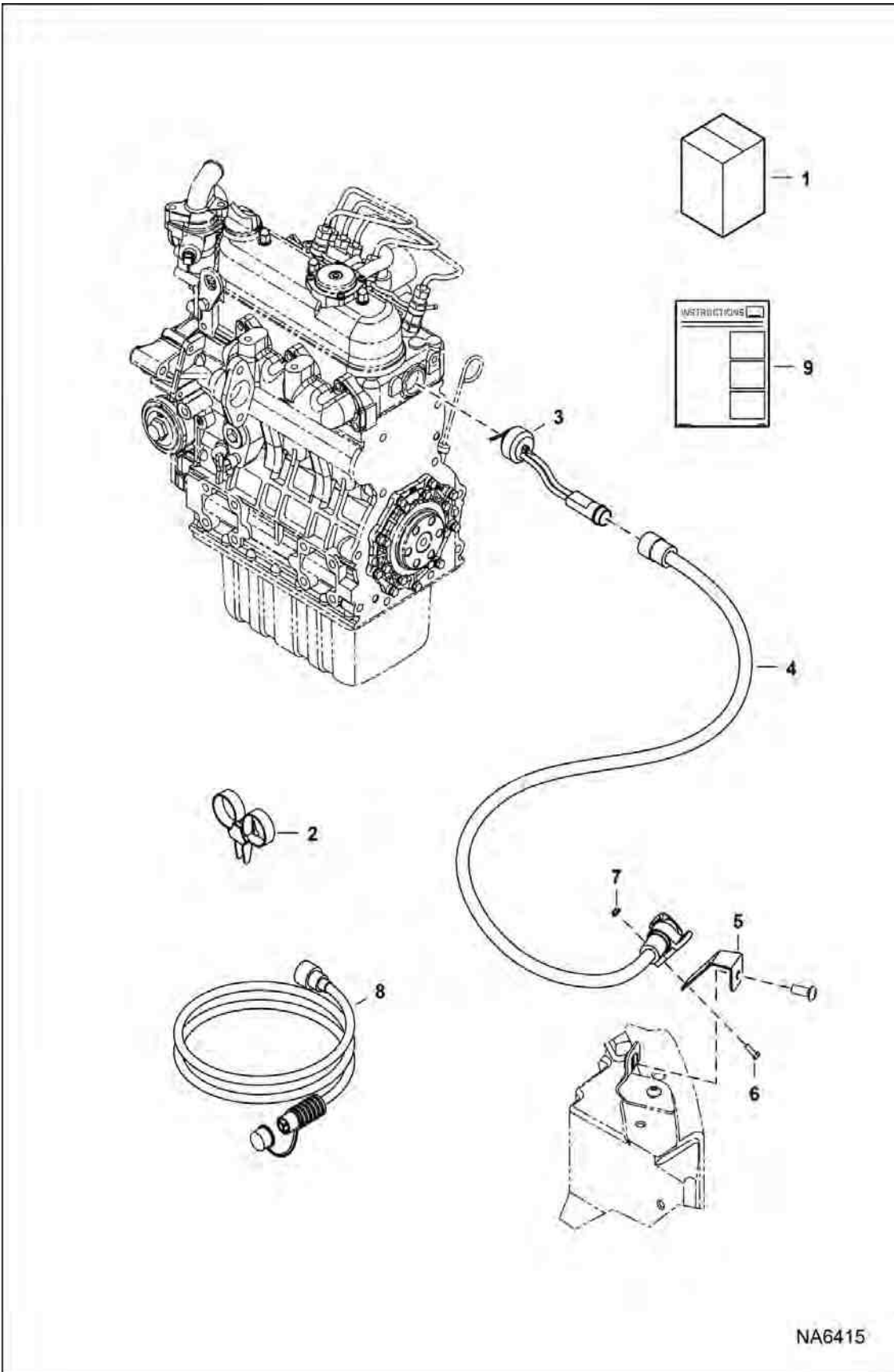


NA2237

BEACON KIT (Cont'd)

Ref No	Part Number	Description	Remarks	Serial Number	Qty
1	7172554	KIT, BEACON LIGHT	Ref. 2-8		1
2	6665317	SWITCH			1
3	6675523	LIGHT EC BEACON			1
4	6682740	RETAINER			2
5	6682741	RETAINER			1
6	7172972	HARNESS, BEACON/STROBE			1
7	7172977	HARNESS, CANOPY			1
8	6987321ENUS	INSTRUCTIONS	Was 6987321 [A]		1

BLOCK HEATER

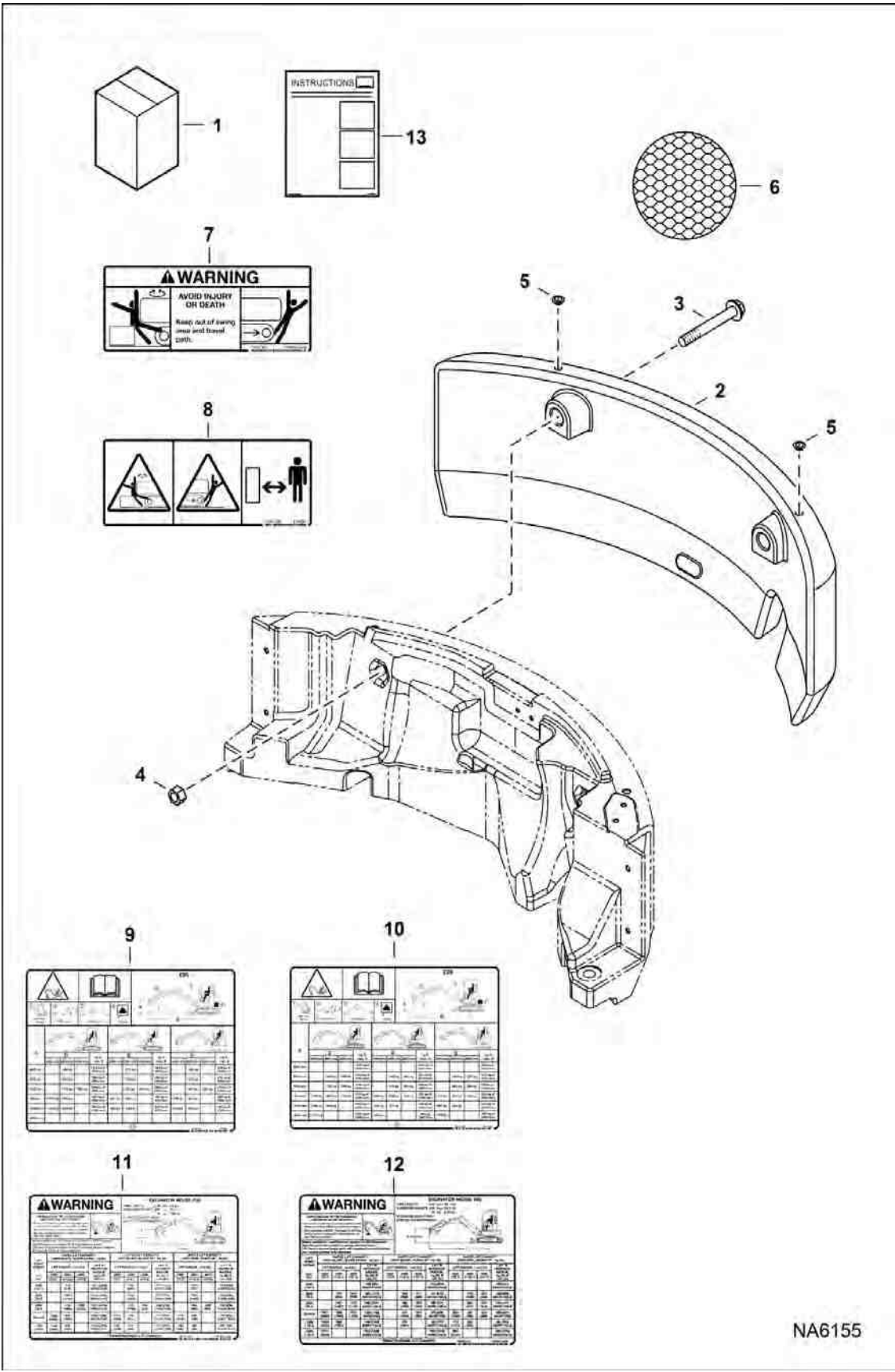


NA6415

BLOCK HEATER (Cont'd)

Ref No	Part Number	Description	Remarks	Serial Number	Qty
1	7212909	KIT, HEATER BLOCK ENG	Ref. 2-9		1
2	6678668	STRAP			1
3	7212911	HEATER, BLOCK ENG PLUG SOFT			1
4	7212912	CORD, HEATER BLOCK ENG	W/Ref. 8		1
5	7212913	BRACKET			1
6	4CM516	SCREW	Was 1CM516 [A]		2
7	43DM5	NUT			2
8		CABLE, CONNECTING	NSS		1
9	6990352ENUS	INSTRUCTIONS	Was 6990352 [A]		1

COUNTERWEIGHT KIT



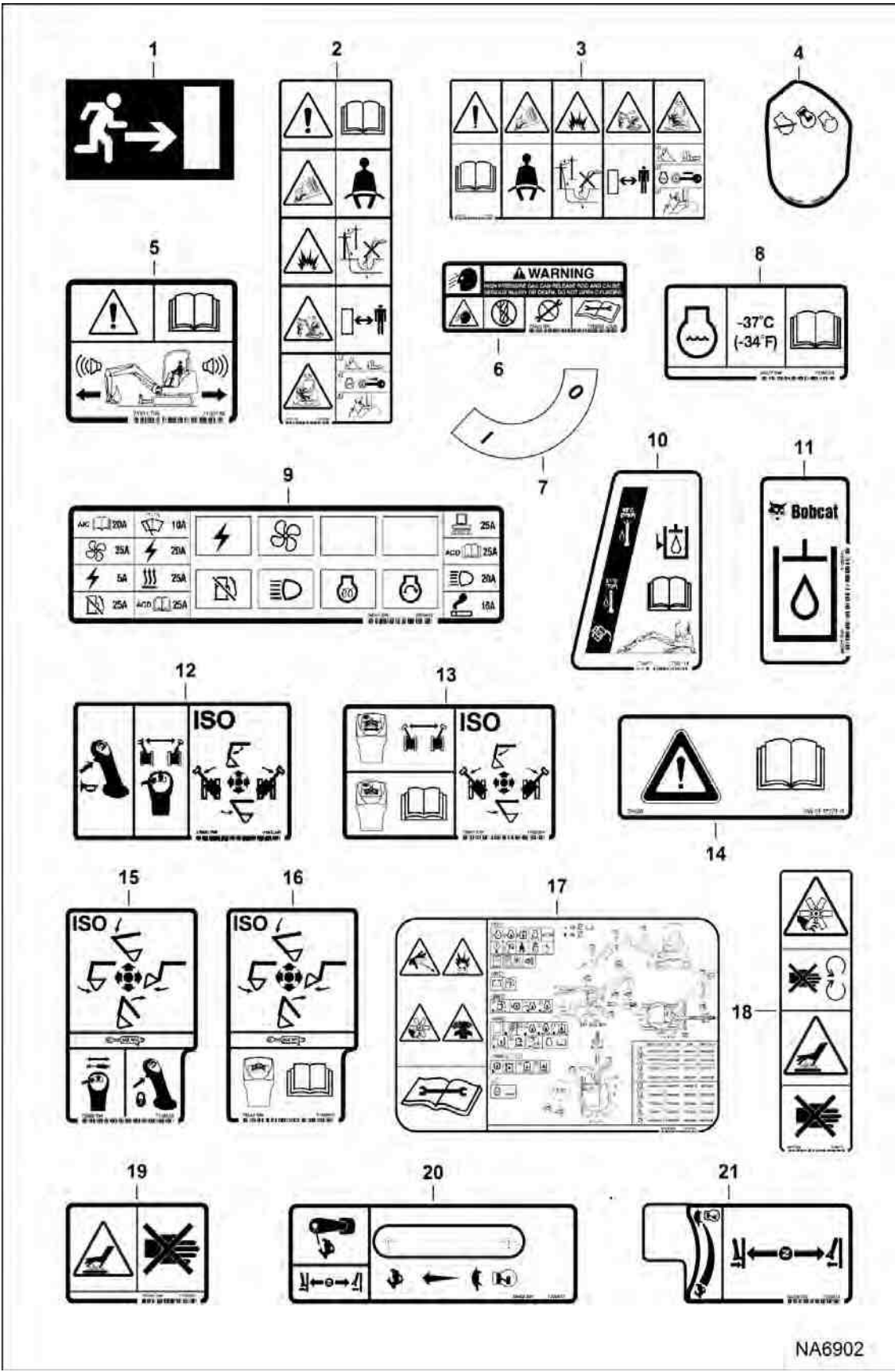
NA6155

COUNTERWEIGHT KIT (Cont'd)

Ref No	Part Number	Description	Remarks	Serial Number	Qty
1	7204030	KIT, COUNTERWEIGHT	Ref. 2-13		1
2	7198448	COUNTERWEIGHT			1
3	29CM20150	BOLT			2
4	4DM20	NUT			2
5	7010676	PLUG			2
6	7106627	DECAL, REFLECTIVE	reflective		2
7	7169006	DECAL, STAY CLEAR	text		1
8	7169009	DECAL, STAY CLEAR	no-text		1
9	7183902	DECAL, CAPACITY LIFT	standard arm - E26 - no text		1
9	7227161	DECAL, CAPACITY LIFT	standard arm - E25 - no text		1
10	7201622	DECAL, CAPACITY LIFT	long arm - E26 - no text		1
10	7227164	DECAL, CAPACITY LIFT	long arm - E25 - no text		1
11	7206149	DECAL, CAPACITY LIFT	standard arm - E26 - text		1
11	7274945	DECAL LIFT CAPACITY	standard arm - E26 - text		1
12	7206150	DECAL, CAPACITY LIFT	long arm - E26 - text		1
12	7274946	DECAL LIFT CAPACITY	long arm - E26 - text		1
13	6990133ENUS	INSTRUCTIONS	Was 6990133 [A]		1

DECALS

(Inside)

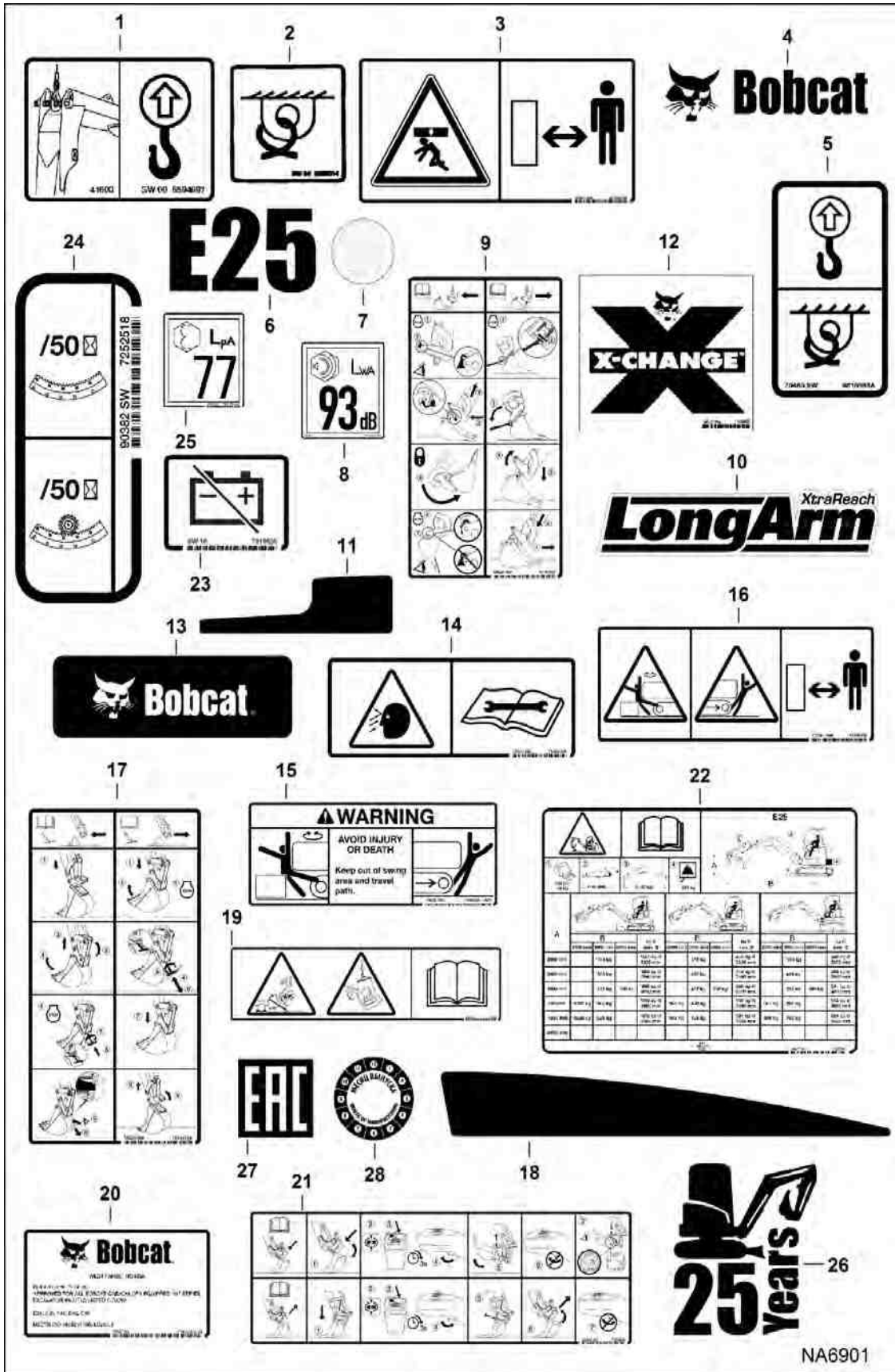


NA6902

DECALS (Cont'd)
(Inside)

Ref No	Part Number	Description	Remarks	Serial Number	Qty
1	7169014	DECAL, EXIT			1
2	7148158	DECAL, WARNING			1
3	7178216	DECAL, WARNING			1
4	7186708	DECAL, SWITCH IGN			1
5	7136738	DECAL WARNING			1
6	7169291	DECAL	warning		1
7	7200990	DECAL, DISCONNECT			1
8	7120573	DECAL	engine coolant		1
9	7238472	DECAL, FUSE	Was 7172409		1
10	7202311	DECAL, FILL LINE			1
11	7120570	DECAL	hydraulic oil		1
12	7148146	DECAL, LH ISO			1
13	7182064	DECAL, LH ISO			1
14	6732148	DECAL	operator manual		1
15	7148148	DECAL, RH ISO			1
16	7182065	DECAL, RH ISO			1
17	7238019	DECAL, SERVICE	- Was 7188748 [B]		1
18	7243563	DECAL, WARNING	warning - Was 7120579 [A]		1
19	7185935	DECAL, WARNING			1
20	7228413	DECAL, THROTTLE			1
21	7228414	DECAL, THROTTLE	idle - 80 x 46 mm (3.15 x 1.81")		1
21	7255243	DECAL, THROTTLE	idle - 65 x 46 mm (2.56 x 1.81")		1

DECALS
(Outside)



DECALS (Cont'd)
(Outside)

Ref No	Part Number	Description	Remarks	Serial Number	Qty
1	6594897	DECAL	boom lift		2
2	6595014	DECAL	tie down		3
3	6713507	DECAL	stay clear		2
4		DECAL, LOGO BOBCAT AND HEAD	402 mm (15.81") long - Was 6815489 [A]		2
4	7167716	DECAL, LOGO	338 mm (13.32") long		2
5	6815993	DECAL, LIFT	tie down		2
6	7225291	DECAL, E25			2
7	7106627	DECAL, REFLECTIVE	reflective		2
8	7112708	DECAL	sound power		1
9	7139000	DECAL			1
10	7147433	DECAL, ARM LONG			1
11	7156577	DECAL	left cover		1
12	7160880	DECAL, X-CHANGE			2
13	7200749	DECAL, LOGO BOBCAT	rear door		1
14	7168039	DECAL, WARNING	See Illustration DECALS / NA6216		2
15	7169006	DECAL, STAY CLEAR			1
16	7169009	DECAL, STAY CLEAR			1
17	7174312	DECAL, OPERATION	using MS03 German Style System		1
18	7200747	DECAL, COVER	Was 7178412 [A]		1
19	7178215	DECAL, WARNING			1
20	7181121	DECAL, APPS SPECIAL			1
20	7181127	DECAL, GUARD TOP	canopy		1
20	7181128	DECAL, GUARD TOP	cab		1
21	7183846	DECAL, OPERATION			1
22	7227158	DECAL, CAPACITY LIFT	standard arm - E25 - no-text		1
22	7227161	DECAL, CAPACITY LIFT	standard arm - E25 - w/CWT - no-text		1
22	7227164	DECAL, CAPACITY LIFT	long arm - no-text		1
22	7304398	DECAL LIFT	standard arm - E25 - transparent		1
22	7304399	DECAL LIFT	long arm - E25 - transparent		1
22	7304400	DECAL LIFT	long arm - E25 - w/CWT - transparent		1
23	7315525	DECAL DISCONNECT	Was 7199543 [A]		1
24	7252518	DECAL, GREASE REMOTE	- Was 7200532 [B]		1
25	7208115	DECAL, SOUND			1

DECALS (Cont'd)
(Outside)

The decal set includes the following items:

- 1:** Two safety icons: a person being struck by a boom and a hook symbol.
- 2:** A hook symbol.
- 3:** A warning triangle with a person being struck by a boom and a person with a double-headed arrow.
- 4:** Bobcat logo and text.
- 5:** A hook symbol and a hook symbol with a boom.
- 6:** L_{PA} 77.
- 7:** L_{WA} 93 dB.
- 8:** A battery symbol with a plus sign.
- 9:** A grid of 12 safety icons.
- 10:** LongArm XtraReach logo.
- 11:** A black shape.
- 12:** X-CHANGE logo.
- 13:** Bobcat logo.
- 14:** A warning triangle with an eye and a book icon.
- 15:** A warning label: **WARNING** AVOID INJURY OR DEATH. Keep out of swing area and travel path.
- 16:** A warning triangle with a boom, a warning triangle with a boom and a person, and a person with a double-headed arrow.
- 17:** A grid of 12 safety icons.
- 18:** A black shape.
- 19:** Three warning triangles: a boom striking a person, a boom striking a person, and a book icon.
- 20:** Bobcat logo and text.
- 21:** A grid of 12 safety icons.
- 22:** A large table with columns A, B, C, D, E and rows for various specifications.
- 23:** A black shape.
- 24:** Two speedometer gauges with "/50" markings.
- 25:** A battery symbol.
- 26:** 25 years anniversary logo.
- 27:** EAC logo.
- 28:** A circular logo with "EQUIPMENT" and "SAFETY" text.

DECALS (Cont'd)
(Outside)

Ref No	Part Number	Description	Remarks	Serial Number	Qty
26		DECAL, 25 YEAR	NLA - Was 7218061 [A]		2
27	7249026	DECAL			1
28	7249237	DECAL			1

DECALS (Outside)

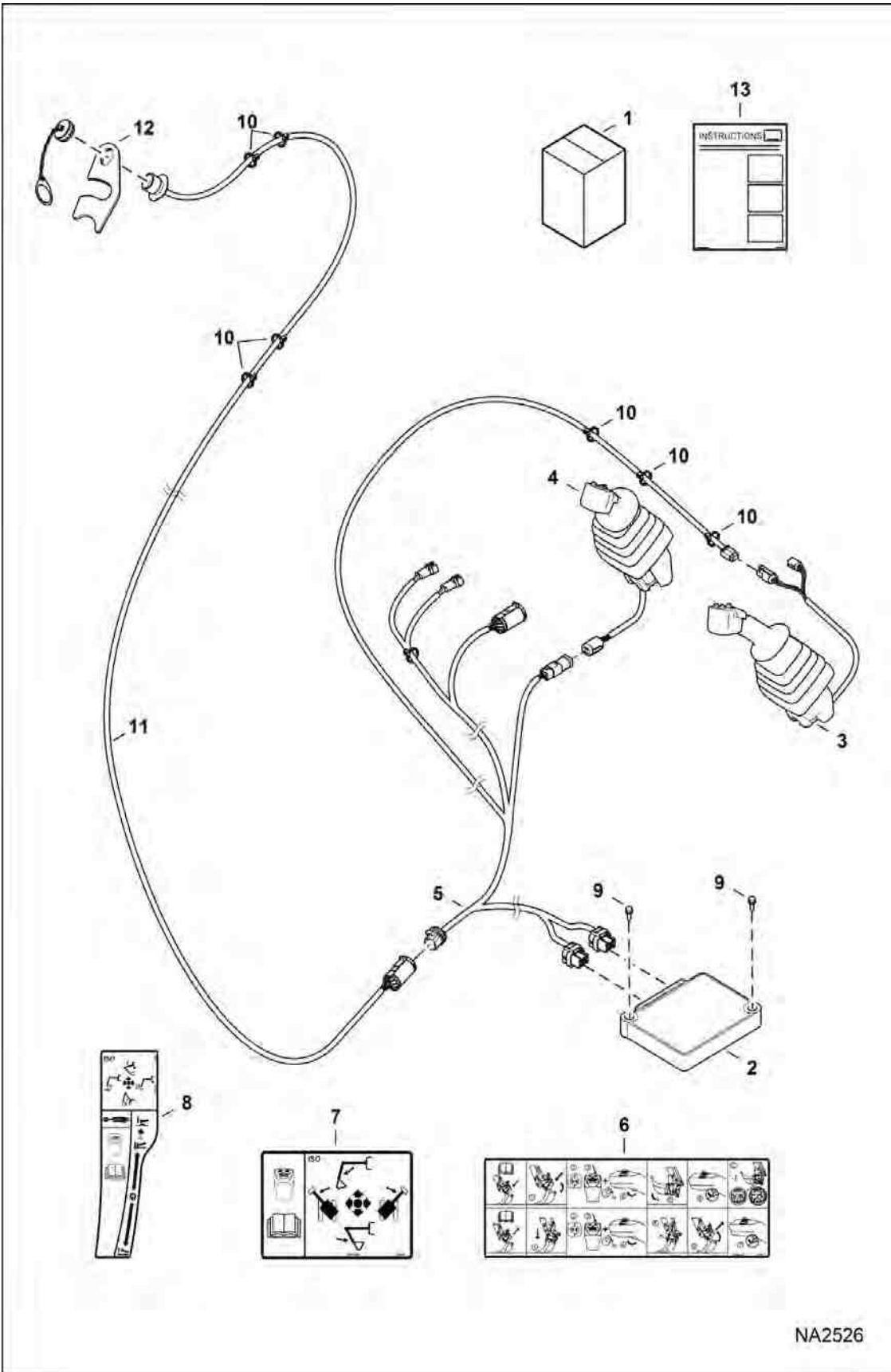


NA6216

DECALS (Cont'd)
(Outside)

Ref No	Part Number	Description	Remarks	Serial Number	Qty
1		DECAL, WARNING	NLA - high pressure grease - Order Ref. 2 - Was 6804114 [A]		1
2	7168039	DECAL, WARNING	high pressure grease		2

DELUXE CONTROL KIT

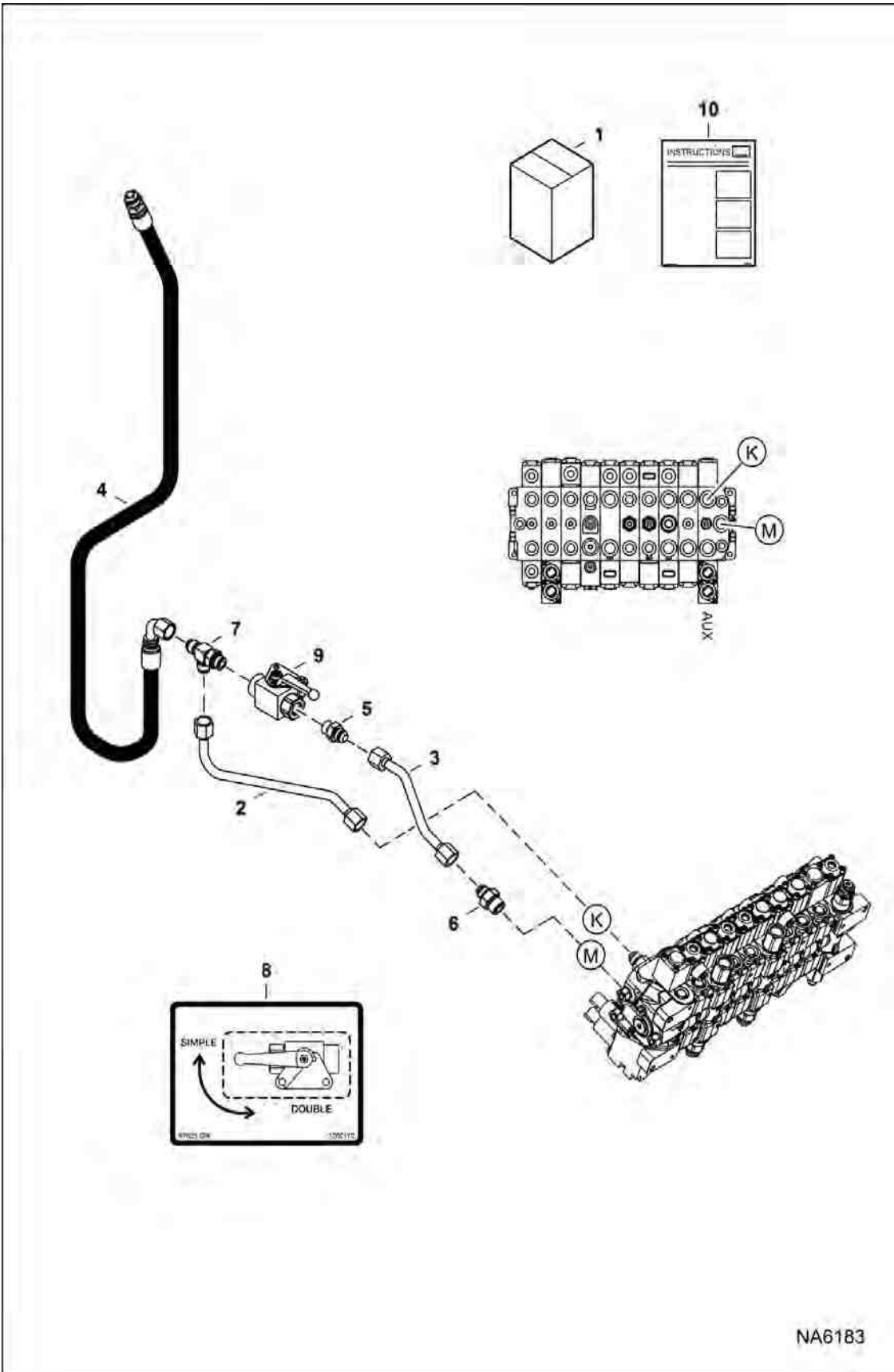


NA2526

DELUXE CONTROL KIT (Cont'd)

Ref No	Part Number	Description	Remarks	Serial Number	Qty
1	7181285	KIT, CONTROL ATTACH	Ref. 2-13		1
2	7009046	CONTROLLER, AUX CONTROL			1
3	7010038	JOYSTICK, LH			1
4	7010039	JOYSTICK, RH			1
5	7181284	HARNESS, BOOM			1
6	7183846	DECAL, OPERATION			1
7	7182064	DECAL, LH ISO			1
8	7182065	DECAL, RH ISO			1
9	1CM1016	SCREW			2
10	6624289	STRAP, TIE			8
11	7183679	HARNESS, BOOM			1
12	7183676	MOUNT			1
13		INSTRUCTIONS	NLA - Was 6989531 [A]		1

DIRECT TO TANK KIT



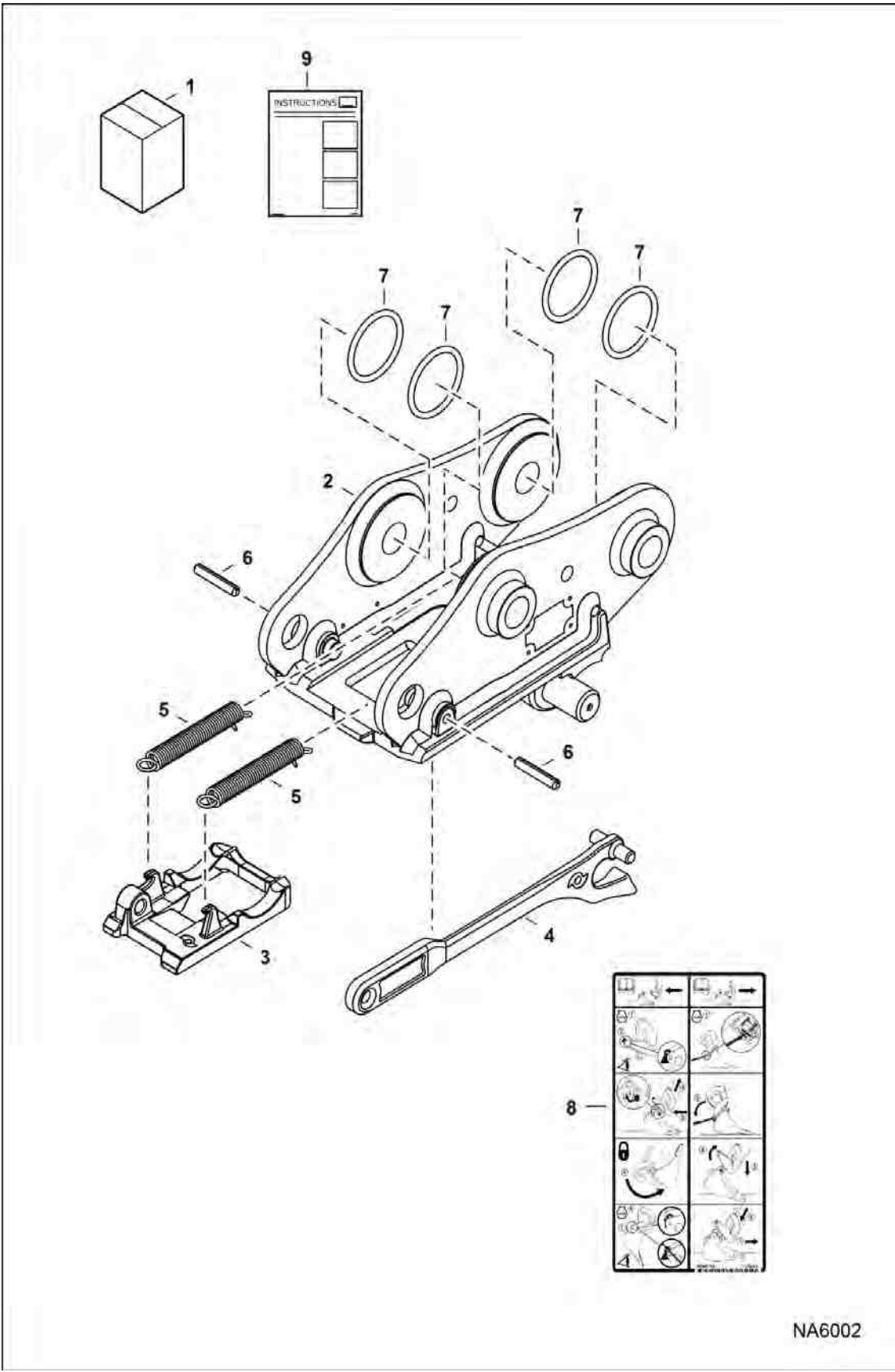
NA6183

DIRECT TO TANK KIT (Cont'd)

Ref No	Part Number	Description	Remarks	Serial Number	Qty
1	7206142	KIT, DIRECT TO TANK	Ref. 2-10		1
2	7189256	TUBELINE, HYD			1
3	7189258	TUBELINE, HYD			1
4	7204137	HOSE, HYD			1
5	15KB0808	FITTING, HYD CONNECTOR			2
5	79K8	O RING 10			x
6	15KB0808	FITTING, HYD CONNECTOR			1
6	79K8	O RING 10			X
7	21KB0808	FITTING, HYD TEE			1
7	79K8	O RING 10			x
8	7282172	DECAL			1
9	6693507	VALVE, BALL	See Illustration SELECTOR VALVE ASSY / NA2306		1
10	6990182ENUS	INSTRUCTIONS	Was 6990182		1

EUROPEAN ACCESSORIES

(Quick Coupler Kit)
(Klacc System)



NA6002

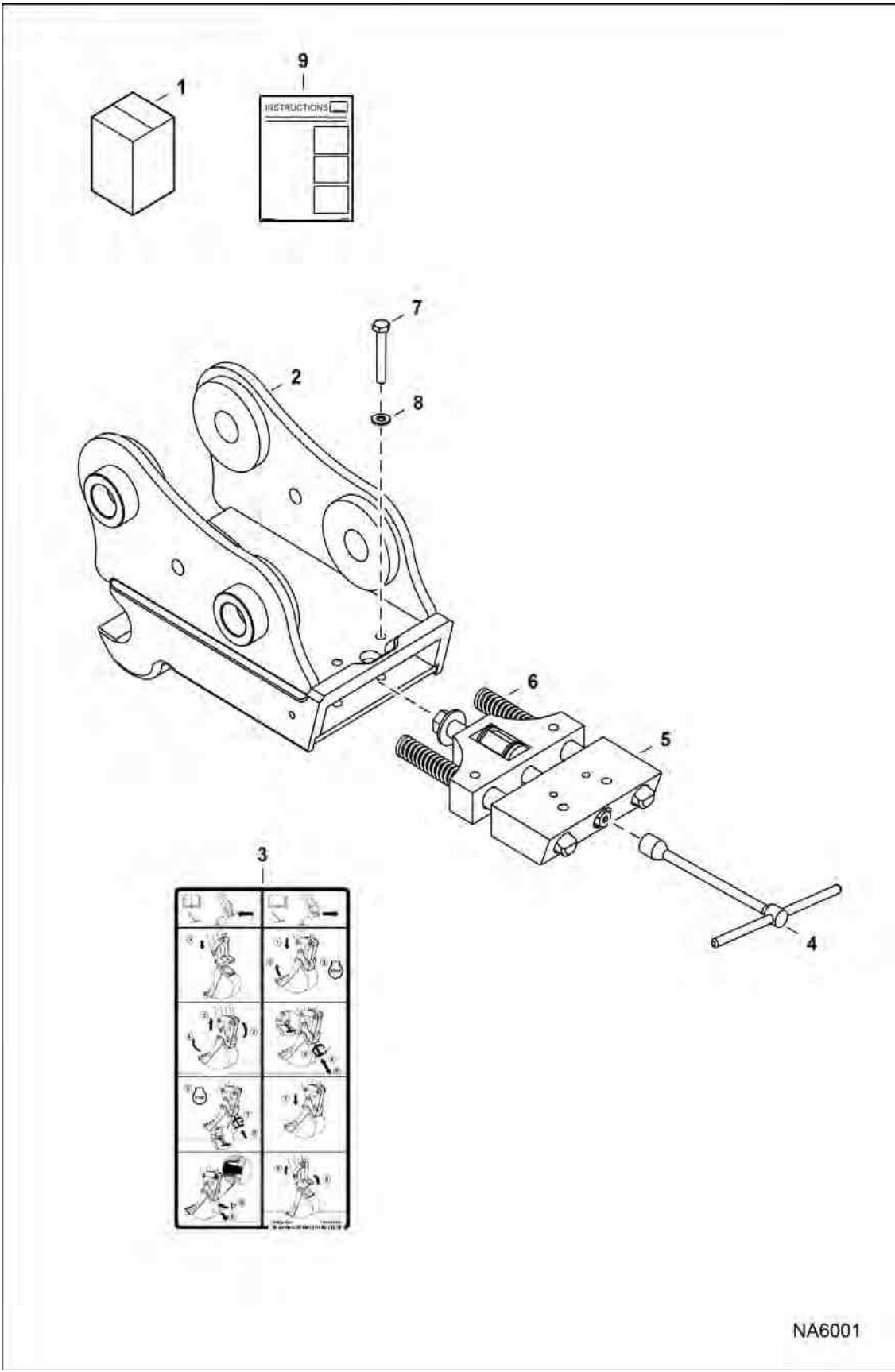
EUROPEAN ACCESSORIES (Cont'd)

(Quick Coupler Kit)

(Klac System)

Ref No	Part Number	Description	Remarks	Serial Number	Qty
1		KIT, QUICK COUPLER	W/Ref. 2-9, SALES #7180275		1
2		COUPLER, QUICK KD2	NLA - Order Ref. 1		1
3	6692788	LOCKING PLATE			1
4	7180273	KEY, KLAC			1
5	7020783	SPRING	Was 7020781 [B,D]		2
6	7020782	PIN, ROLL			2
7	6674145	SEAL,O-RING			4
8	7139000	DECAL	using coupler		1
9	7248464	PLUG			1
10	7248465	PLUG			2
11	6987344ENUS	INSTRUCTIONS	- Was 6987344 [A]		1

EUROPEAN ACCESSORIES
(Quick Coupler Kit)
(German Style System)



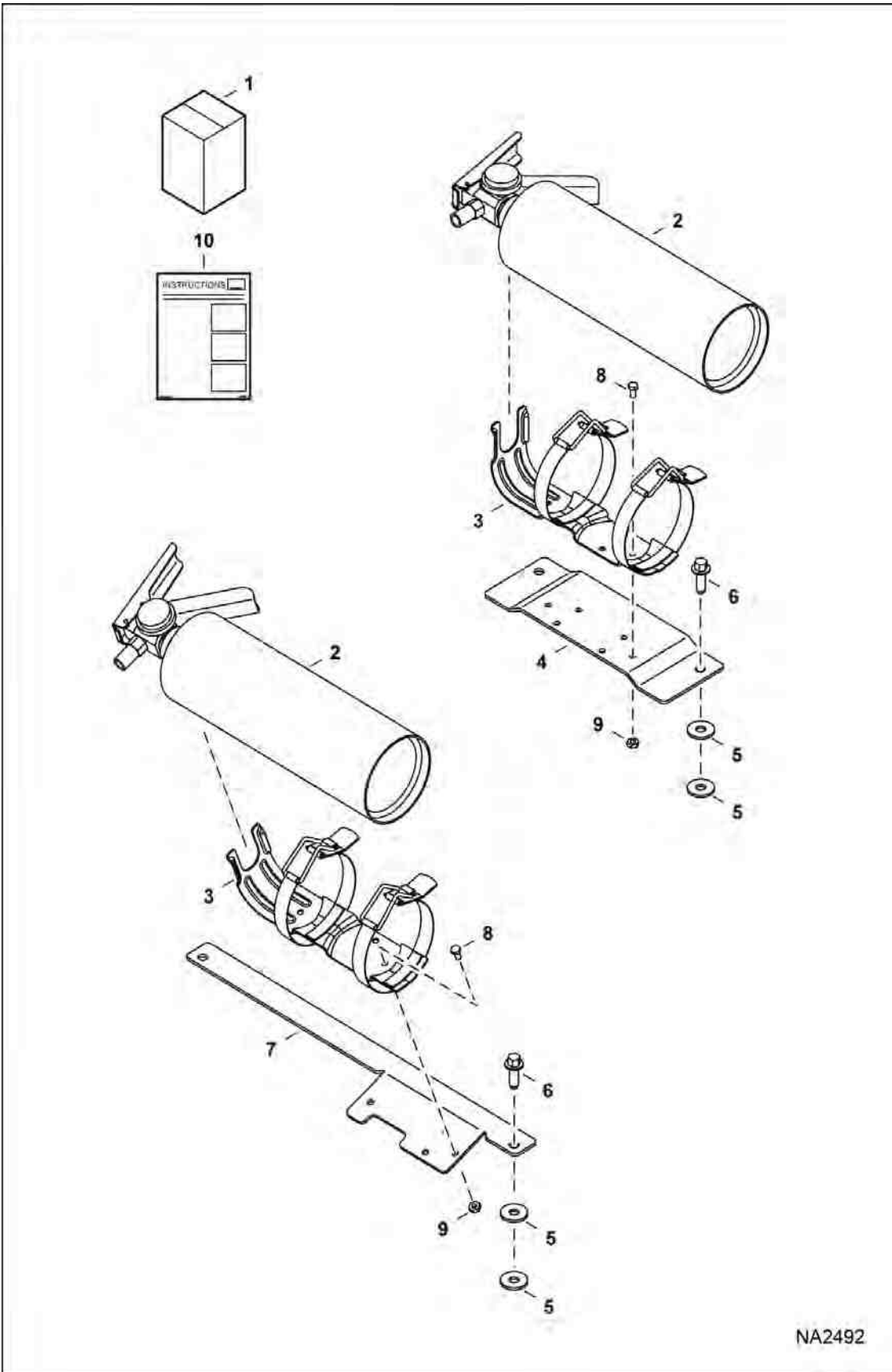
NA6001

EUROPEAN ACCESSORIES (Cont'd)

(Quick Coupler Kit)
(German Style System)

Ref No	Part Number	Description	Remarks	Serial Number	Qty
1		KIT, COUPLER MS03	W/Ref. 2-9 - SALES #7180276		1
2		COUPLER, MS03	NLA - Order Ref. 1		1
3	7174312	DECAL, OPERATION			1
4	6690918	WRENCH, SOCKET M19			1
5	6690915	LOCK ASSY	W/Ref. 4		1
6	6690928	SPRING, PRESSURE			2
7	6690916	BOLT			2
8	6690917	WASHER, LOCK			2
9	6987333ENUS	INSTRUCTIONS	Was 6987333 [A]		1

FIRE EXTINGUISHER

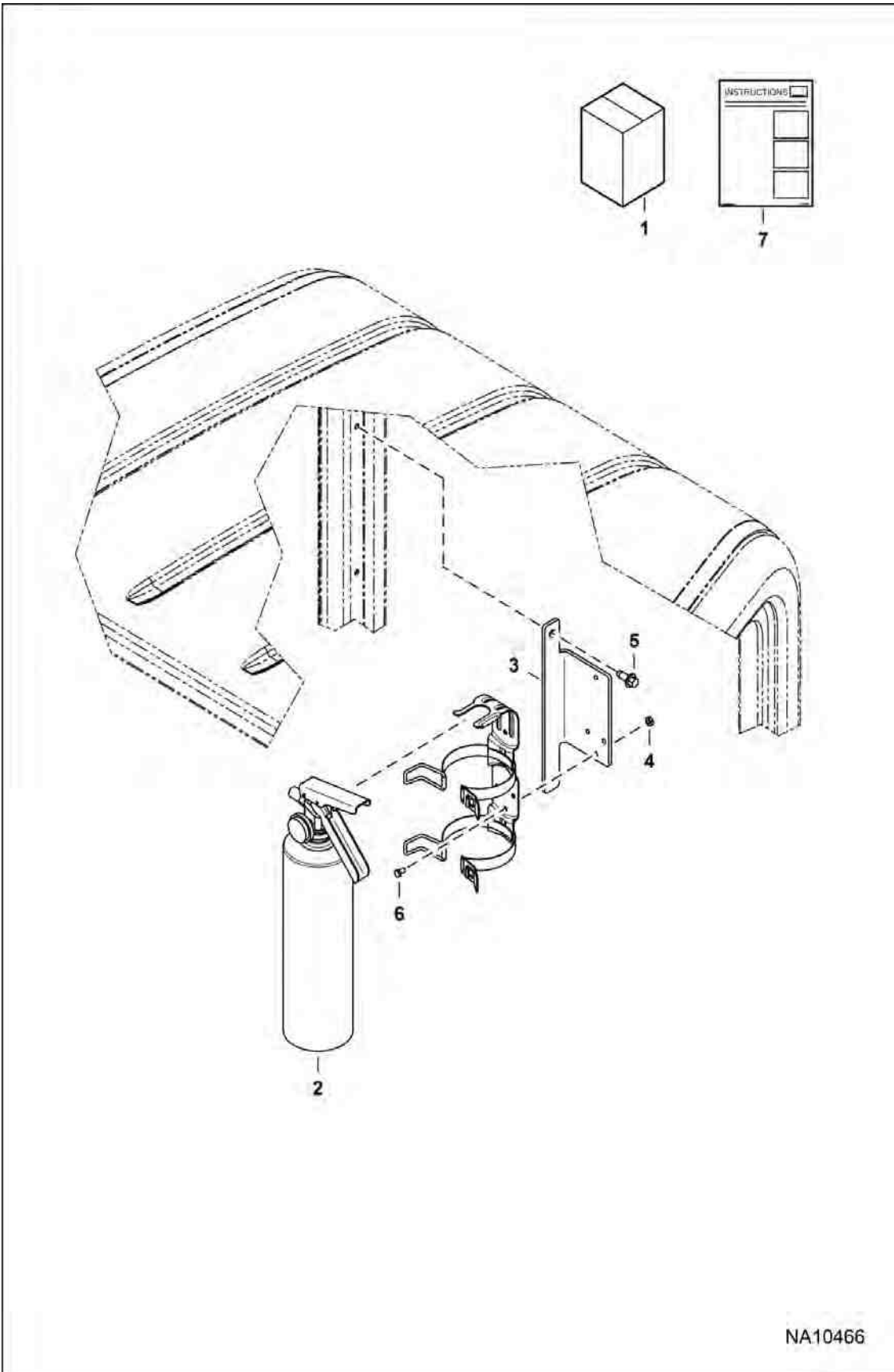


NA2492

FIRE EXTINGUISHER (Cont'd)

Ref No	Part Number	Description	Remarks	Serial Number	Qty
1	7186792	KIT, EXTINGUISHER FIRE	Ref. 2-10		1
2	7224664	EXTINGUISHER, FIRE	W/Ref. 3		1
3	7224665	BRACKET, EXTINGUISHER FIRE	2 clamp		1
4	7187102	BRACKET, MOUNTING	canopy		1
5	17EM80	WASHER			4
6	26GM8020	SCREW SELF TAPPING			2
7	7187101	BRACKET, MOUNTING	cab		1
8	45G1006	BOLT			4
9	12D10	NUT			4
10	6989530ENUS	INSTRUCTIONS	Was 6989530 [A]		1

FIRE EXTINGUISHER

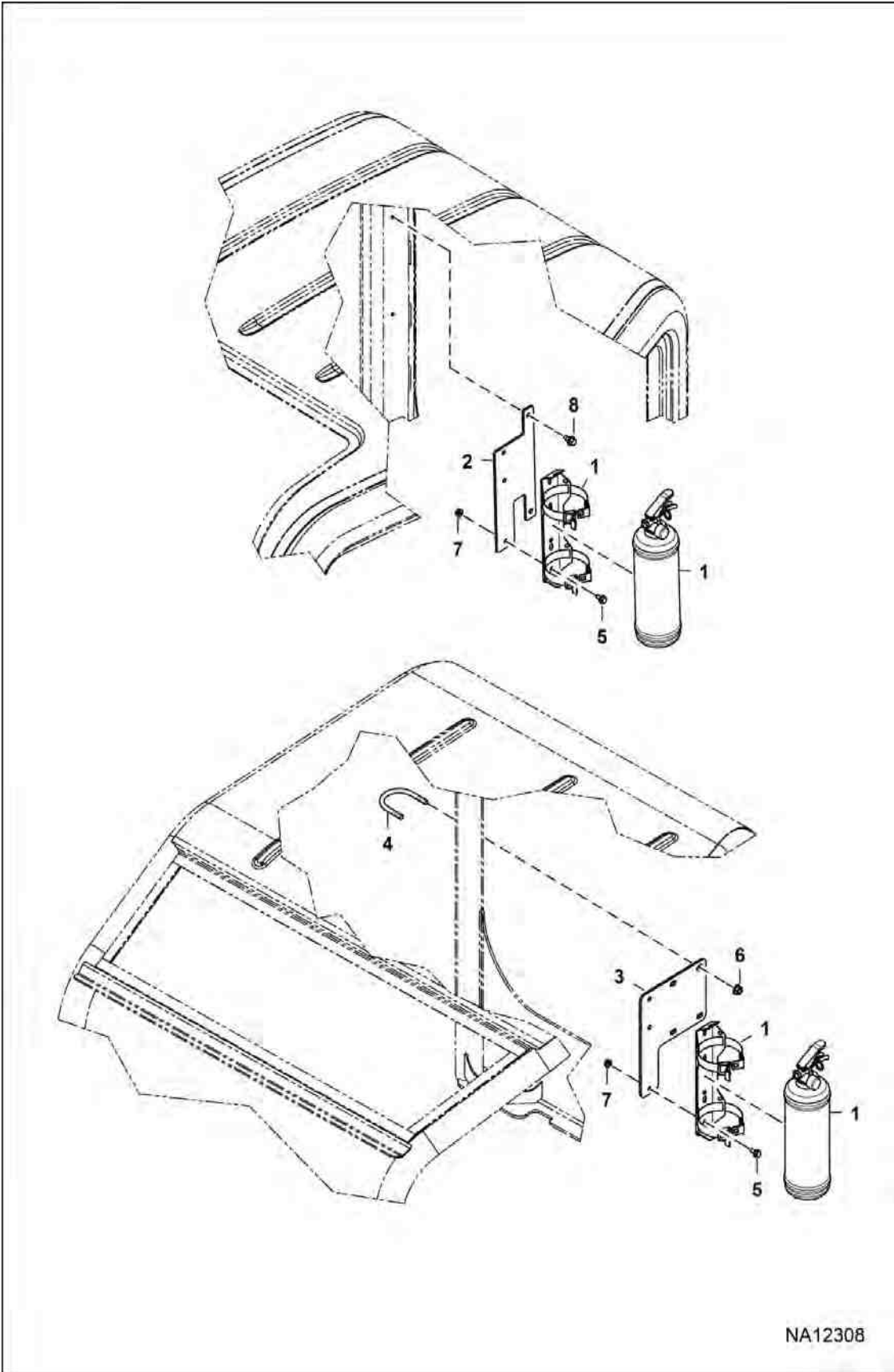


NA10466

FIRE EXTINGUISHER (Cont'd)

Ref No	Part Number	Description	Remarks	Serial Number	Qty
1	7268308	KIT, EXTINGUISHER FIRE	Ref. 2-10		1
2	7224664	EXTINGUISHER, FIRE			1
3	7305600	BRACKET EXTINGUISHER FIRE	cab - Was 7256165 [A]		1
4	12D10	NUT			4
5	26GM8020	SCREW SELF TAPPING			2
6	45G1006	BOLT			4
7	6989530ENUS	INSTRUCTIONS	Was 6989530 [A]		1

FIRE EXTINGUISHER (EMEA)

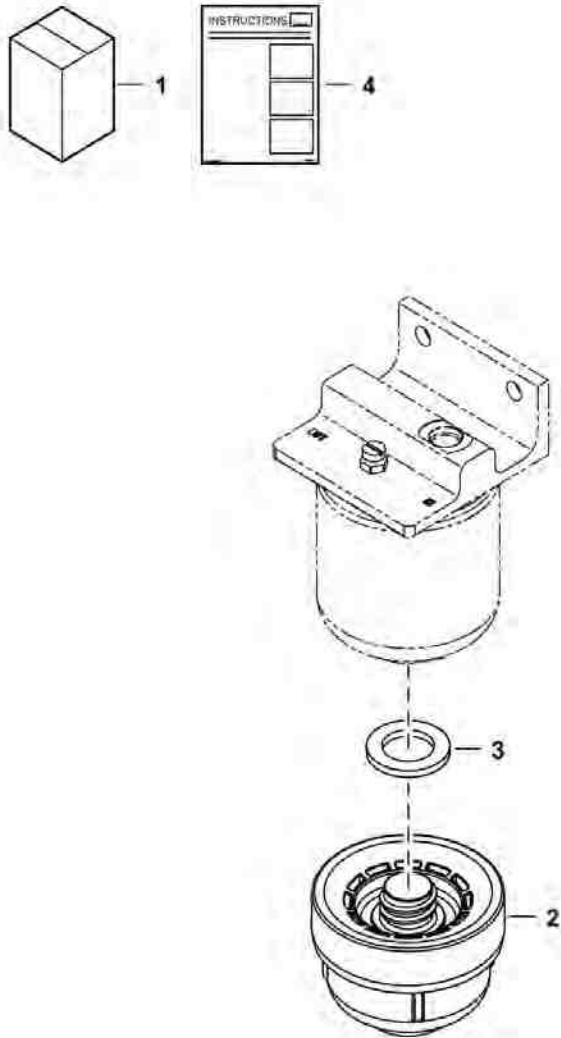


NA12308

FIRE EXTINGUISHER (Cont'd)
(EMEA)

Ref No	Part Number	Description	Remarks	Serial Number	Qty
1	7280129	EXTINGUISHER, FIRE			1
2	7281191	BRACKET, EXTINGUISHER FIRE	cab		1
3	7281193	BRACKET, EXTINGUISHER FIRE	canopy		1
4	7259115	U-BOLT			2
5	29CM612	BOLT, FLANGED			3
6	43DM8	NUT FLANGED HEX			4
7	51DM6	NUT HX THDLK PREAPPL			3
8	26GM8016	SCREW			2

FUEL SEDIMENT BOWL KIT

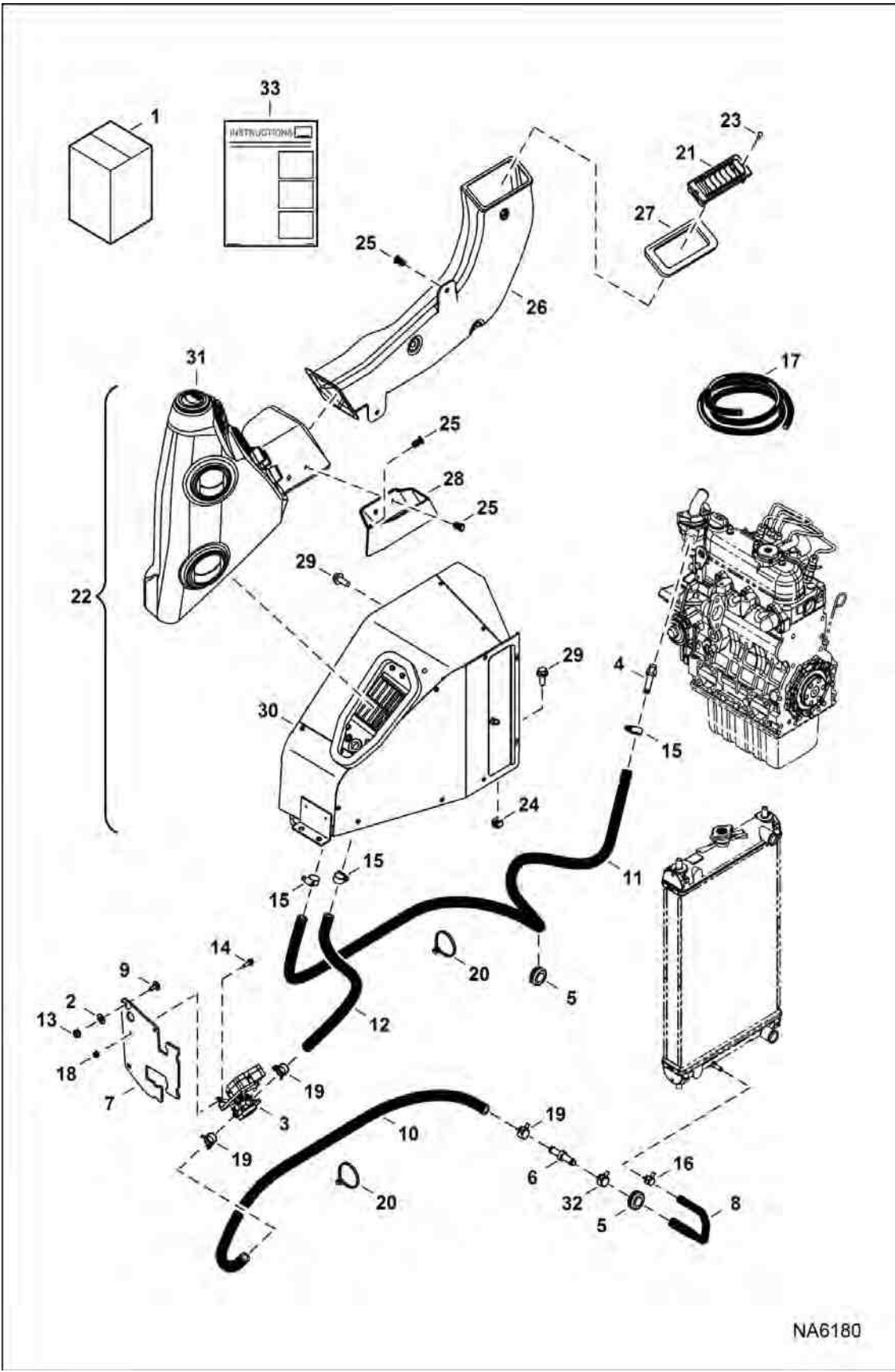


NA6088

FUEL SEDIMENT BOWL KIT (Cont'd)

Ref No	Part Number	Description	Remarks	Serial Number	Qty
1		KIT, BOWL FUEL	NLA - Order components - Was 7177215 [A]		1
2	7167163	BOWL, FUEL	W/Ref. 3		1
3	7177212	GASKET			1
4	6987336ENUS	INSTRUCTIONS	Was 6987336 [A]		1

HEATER & A/C
(Heater Kit)
(S/N AB8B11001 - AB8B12005)



NA6180

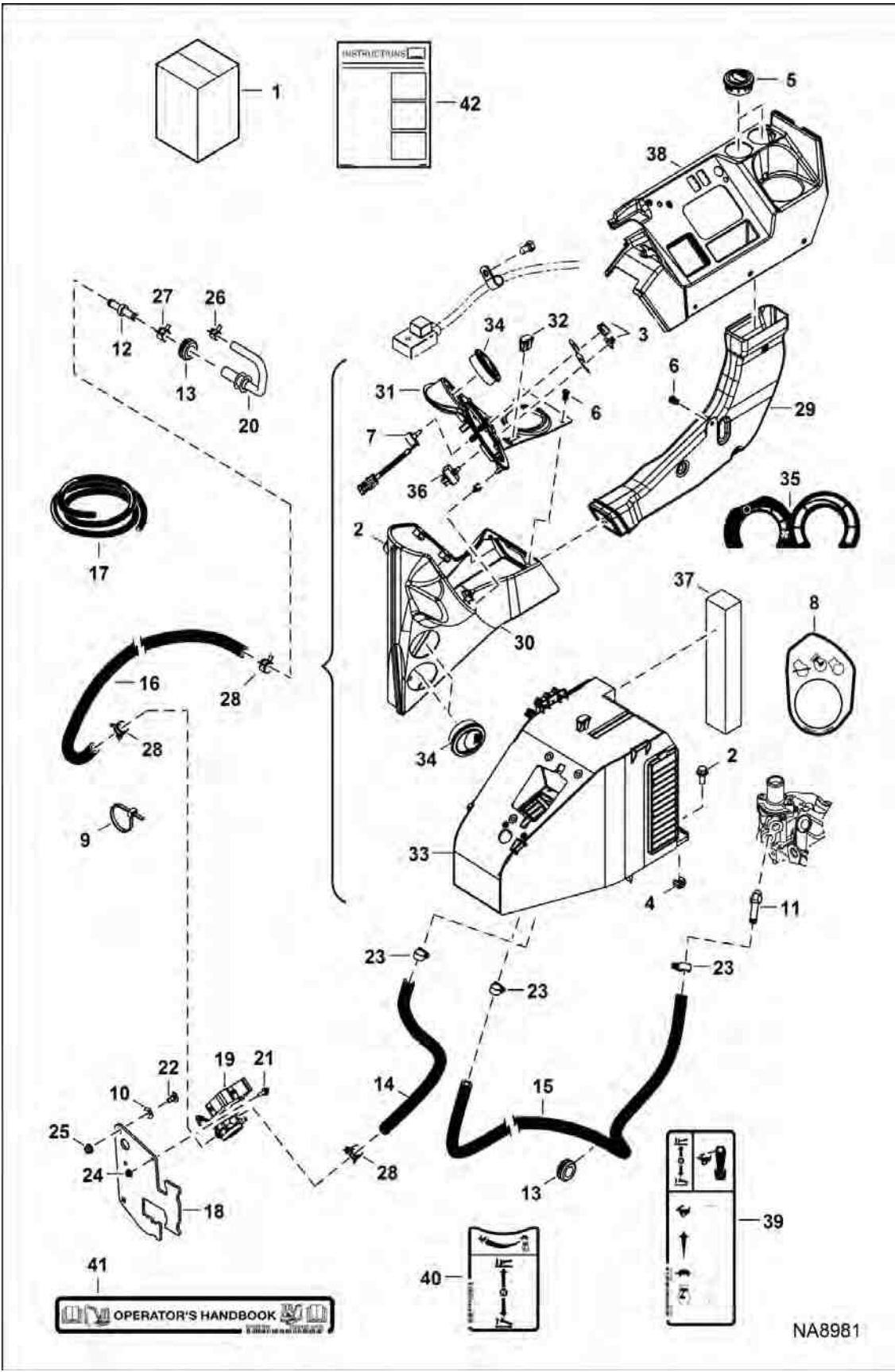
HEATER & A/C (Cont'd)

(Heater Kit)

(S/N AB8B11001 - AB8B12005)

Ref No	Part Number	Description	Remarks	Serial Number	Qty
1	7205739	KIT, HEATER CAB	Ref. 2-33	AB8B11001 - 12005	1
2	6675859	RETAINER			2
3	7003456	VALVE, MOTORIZED ASSY			1
4	6731085	ELBOW			1
5	7136776	GROMMET			2
6	6732023	CONNECTOR, HOSE			1
7	7187716	HOLDER			1
8	7193565	HOSE HEATER			1
9	33CM820	BOLT			2
10		HOSE, HEATER	NLA - 1100 mm (43.3") long - Order Ref. 17		1
11		HOSE, HEATER	NLA - 1845 mm (72.6") long - Order Ref. 17		1
12		HOSE, HEATER	NLA - 450 mm (17.7") long - Order Ref. 17		1
13	43DM8	NUT FLANGED HEX			2
14	29CM620	SCREW FLGD HEX CAP			2
15	42HL91	CLAMP HOSE TYPE MX			3
16	5HM14	CLAMP			1
17	6565977	HOSE, BULK	sold per foot		x
18	43DM6	NUT FLANGED HEX			2
19	5HM20	CLAMP			3
20	6624289	STRAP, TIE			3
21	6676713	LOUVER			1
22		HEATER, CAB	NLA - Order Ref. 30 & 31		1
23	6814024	SCREW			2
24	7155411	NUT			1
25	7160383	RIVET, BIRD CAGE			5
26	7162750	DUCT, AIR			1
27	7171356	SEAL, DUCT			1
28	7174321	CONTAINER, STORAGE			1
29	29CM1025	SCREW FLGD HEX CAP			4
30	7018004	HEATER, CAB	See Illustration HEATER & A/C / NA2792		1
31	7168072	CONSOLE, HVAC	See Illustration HEATER & A/C / NA2794		1
32	5HM19	CLAMP	Was 5HM18		1
33	6990178ENUS	INSTRUCTIONS	Was 6990178 [A]		1

HEATER & A/C
 (Heater Kit)
 (S/N AB8B12006 & Above)



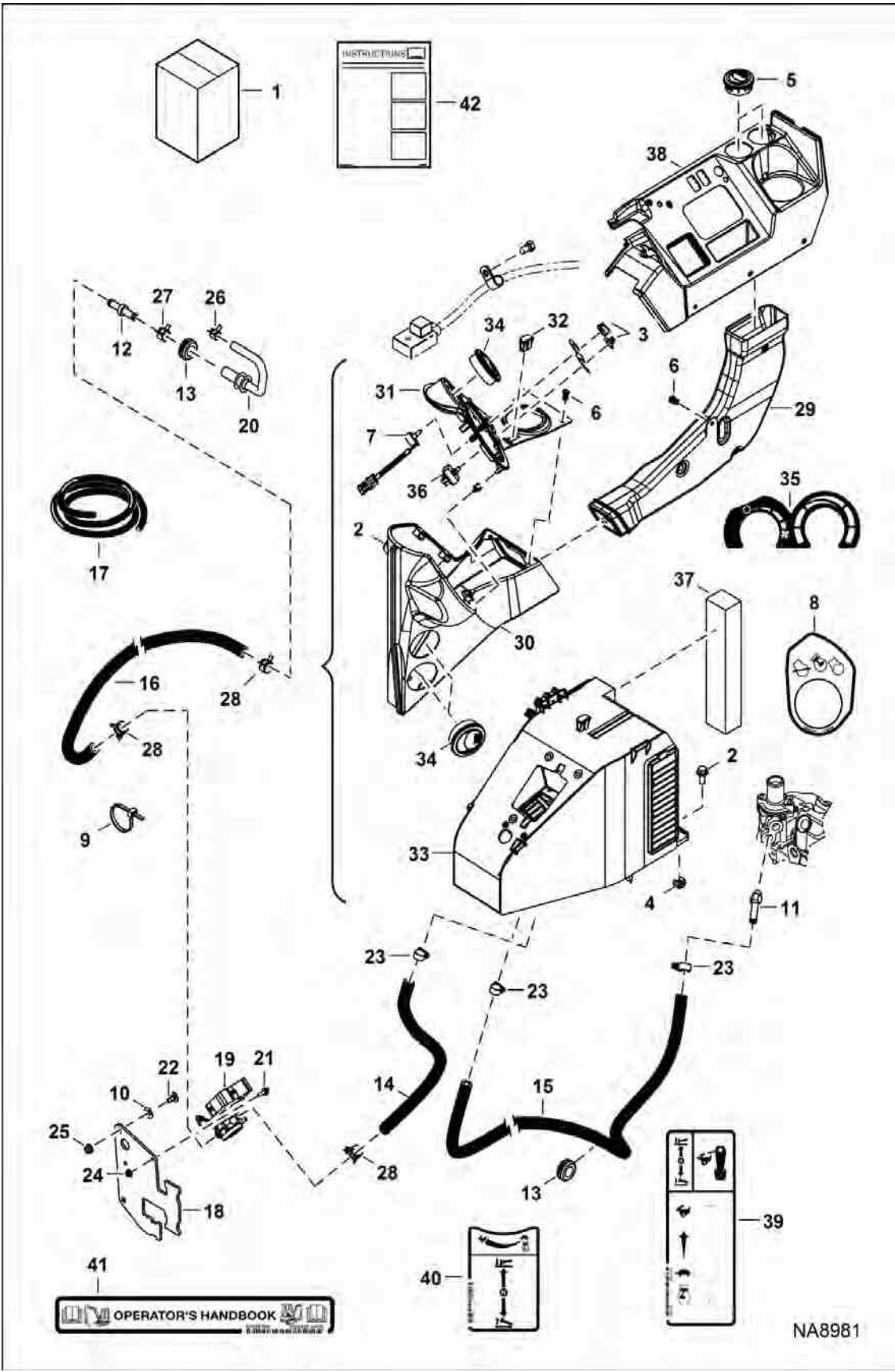
NA8981

HEATER & A/C (Cont'd)

(Heater Kit)
(S/N AB8B12006 & Above)

Ref No	Part Number	Description	Remarks	Serial Number	Qty
1	7250565	HEATER KIT	W/Ref. 2-41	AB8B12006 & Above	1
2	6655399	BUMPER			1
3	6675177	KNOB			2
4	7155411	NUT			1
5	7155794	LOUVER, ROUND			2
6	7160383	RIVET, BIRD CAGE			3
7	7168604	RESISTOR			1
8	7186708	DECAL, SWITCH IGN			1
9	6624289	STRAP, TIE			3
10	6675859	RETAINER			2
11	6731085	ELBOW			1
12	6732023	CONNECTOR, HOSE			1
13	7136776	GROMMET			2
14		HOSE, HEATER	NLA - 450 mm (17.7 in) long - Order Ref. 17		1
15		HOSE, HEATER	NLA - 1845 mm (72.6 in) long - Order Ref. 17		1
16		HOSE, HEATER	NLA - 1100 mm (43.3 in) long - Order Ref. 17		1
17	6565977	HOSE, BULK	sold per foot		x
18	7187716	HOLDER			1
19	7003456	VALVE, MOTORIZED ASSY	Was 7193537 [A]		1
20	7193565	HOSE HEATER			1
21	29CM620	SCREW FLGD HEX CAP			2
22	33CM820	BOLT			2
23	42HL91	CLAMP HOSE TYPE MX			3
24	43DM6	NUT FLANGED HEX			2
25	43DM8	NUT FLANGED HEX			2
26	5HM14	CLAMP			1
27	5HM19	CLAMP			1
28	5HM20	CLAMP			3
29	7206885	DUCT, AIR			1
30	7210713	CONSOLE, CAB			1
31	7210715	CONSOLE, DISPLAY STANDARD			1
31	7210716	CONSOLE, DISPLAY DELUXE			1
32	6675181	PLUG SWITCH HOLE			1
33	7225425	HEATER, CAB			1
34	7218230	LOUVER, ROUND			3
35	7224166	DECAL, HVAC			1

HEATER & A/C (Cont'd)
 (Heater Kit)
 (S/N AB8B12006 & Above)



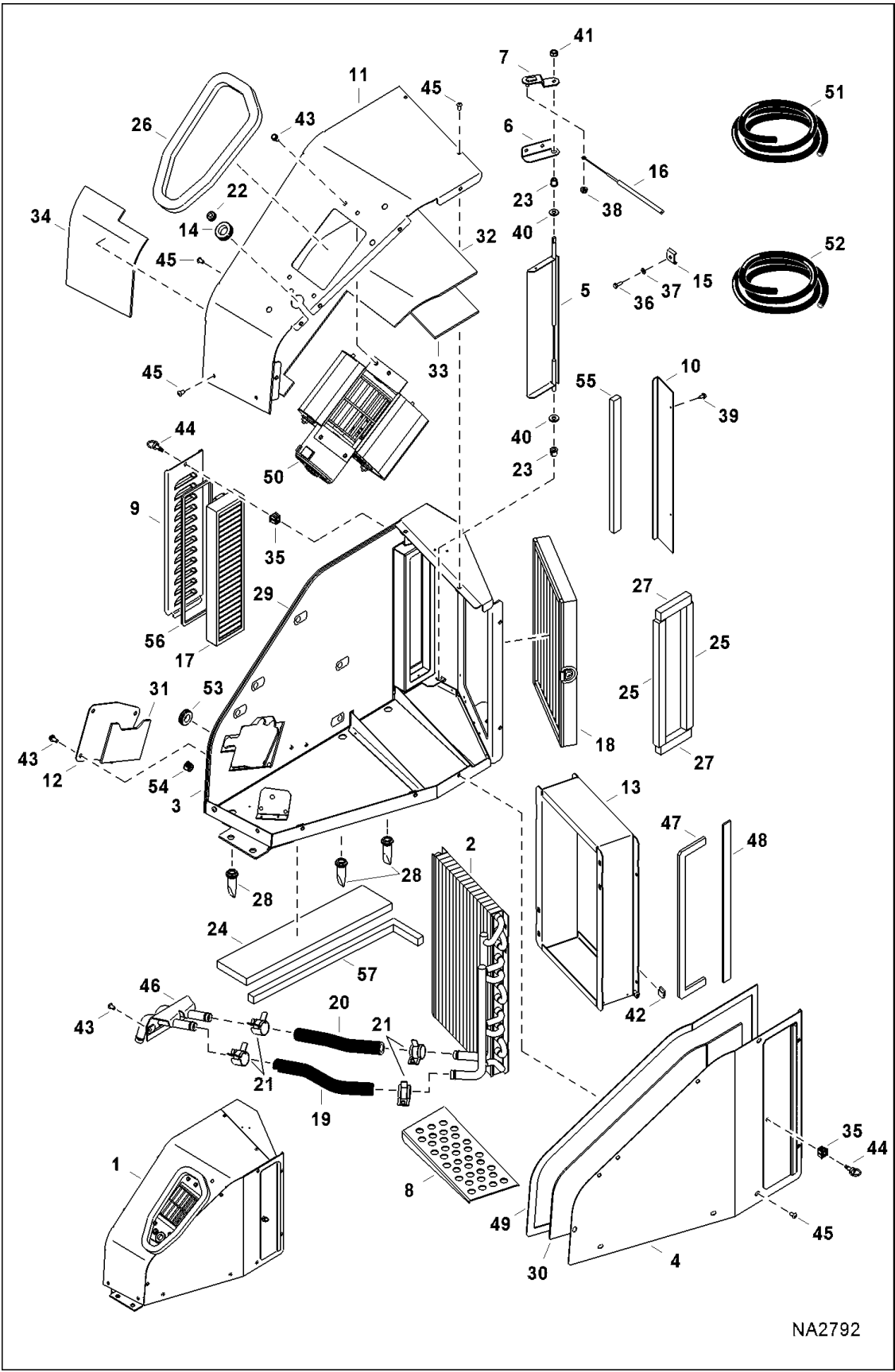
NA8981

HEATER & A/C (Cont'd)

(Heater Kit)
(S/N AB8B12006 & Above)

Ref No	Part Number	Description	Remarks	Serial Number	Qty
36	7232486	SWITCH, FAN			1
37	7237649	FOAM, HVAC			1
38	7241307	CONSOLE, RH			1
39	7243758	DECAL, THROTTLE			1
40	7255243	DECAL, THROTTLE			1
41	7236492	DECAL			1
42	6990888ENUS	INSTRUCTIONS			1

HEATER & A/C
(Heater Assembly)
(S/N AB8B11001 - AB8B11999)



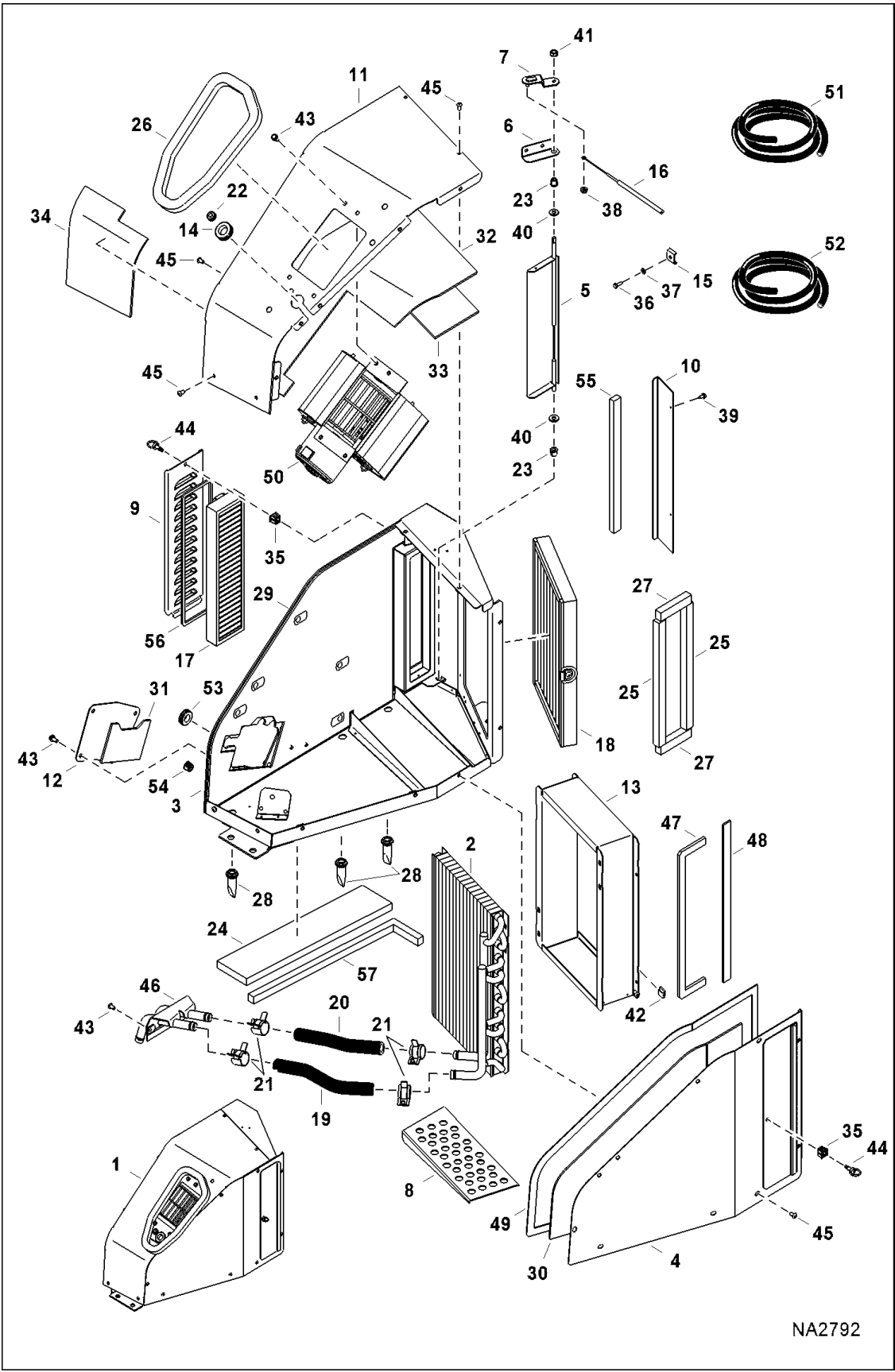
NA2792

HEATER & A/C (Cont'd)

(Heater Assembly)
(S/N AB8B11001 - AB8B11999)

Ref No	Part Number	Description	Remarks	Serial Number	Qty
1	7018004	HEATER, CAB	Ref. 2-57	AB8B11001 - 11999	1
2	7011125	COIL, HEATER			1
3	7017997	HOUSING, BASE			1
4	7018000	COVER, ASSY			1
5	7011122	DOOR, CONTROL AIR			1
6	7011121	BRACKET			1
7	7011120	LEVER			1
8	7011119	PLATE, SUPPORT			1
9	7011118	LOUVER			1
10	7011117	PLATE			1
11	7017998	COVER			1
12	7017999	PLATE, VALVE			1
13	7011114	PAN, COIL			1
14	7011113	HARNES, HEATER	harness not shown - grommet included		1
15	7011112	CLAMP, CABLE			1
16	7011111	CABLE, A/C			1
17	7010331	FRESH AIR FILTER			1
18	7010332	FILTER RECIRCULATION			1
19		HOSE, HEATER	NLA - 175 mm (6.9") long - Order Ref. 51		1
20		HOSE, HEATER	NLA - 150 mm (5.9") long - Order Ref. 51		1
21	7003458	CLAMP, HOSE			4
22	6684947	GROMMET			1
23	7011110	BUSHING			2
24	7011109	FOAM	if equipped		1
25		SEAL, FOAM	NLA - 235 mm (9.25") long - Order Ref. 52		2
26		SEAL, FOAM	NLA - 508 mm (20") long - Order Ref. 52		1
27		SEAL, FOAM	NLA - 70 mm (2.75") long - Order Ref. 52		2
28	7018001	VALVE, DRAIN			3
29	7011108	INSULATION, HEATER	if equipped		1
30	7011107	INSULATION, HEATER	if equipped		1
31	7011106	INSULATION, HEATER	if equipped		1
32	7011105	INSULATION, HEATER	if equipped		1
33	7011104	INSULATION, HEATER	3,175 mm (.125") thick - if equipped		1
33	7025605	INSULATION, HEATER	6,35 mm (.25") thick - if equipped		1
34	7011103	INSULATION, HEATER	if equipped		1
35	6677555	RECEPTACLE			2
36	7011102	BOLT			1
37	6693223	WASHER			1

HEATER & A/C (Cont'd)
(Heater Assembly)
(S/N AB8B11001 - AB8B11999)



NA2792

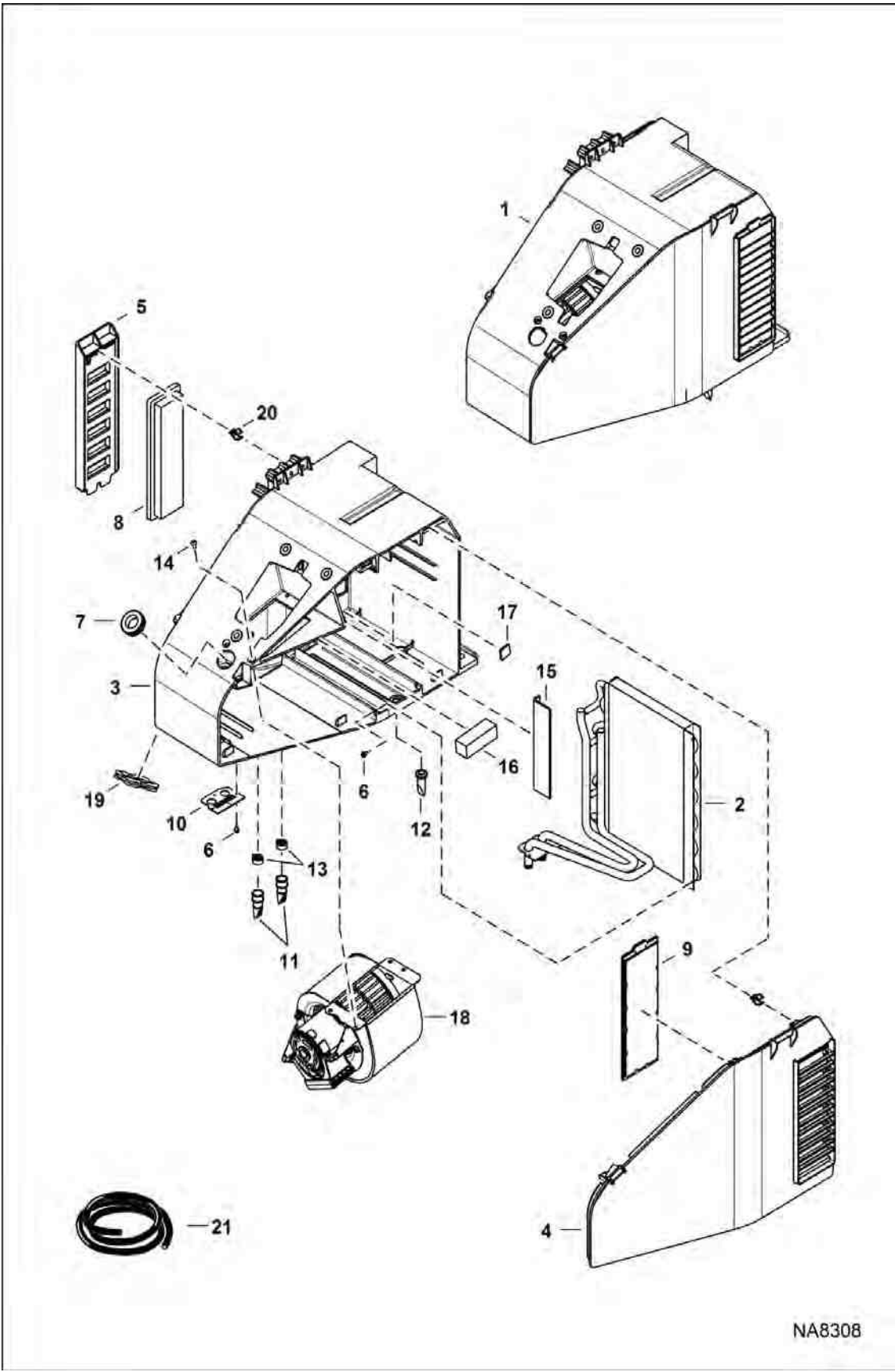
HEATER & A/C (Cont'd)

(Heater Assembly)

(S/N AB8B11001 - AB8B11999)

Ref No	Part Number	Description	Remarks	Serial Number	Qty
38	6679675	NUT			1
39	6677119	SCREW			2
40	7011101	WASHER			2
41	7011100	NUT			1
42	6676539	CLIP PANEL			4
43	6691532	SCREW			12
44	7011099	STUD			2
45	6691532	SCREW			18
46	7018002	CONNECTOR			1
47	6696953	FOAM			1
48	7011096	FOAM			1
49	6693236	FOAM			1
50	7011131	BLOWER, HEATER AND A/C			1
50	7023573	RESISTOR			1
51	6565977	HOSE, BULK	sold per foot - Was 7003457 [A]		x
52	7003460	SEAL, FOAM	bulk - sold per foot		x
53	7003459	GROMMET			1
54	7003511	PLUG			1
55	6693234	FOAM			1
56	7018003	SEAL, FOAM			1
57		INSULATION, HEATER	NLA - 465 mm (18.31") long - Order Ref. 52 - if equipped		1

HEATER & A/C
(Heater Assembly)
(S/N AB8B12001 & Above)



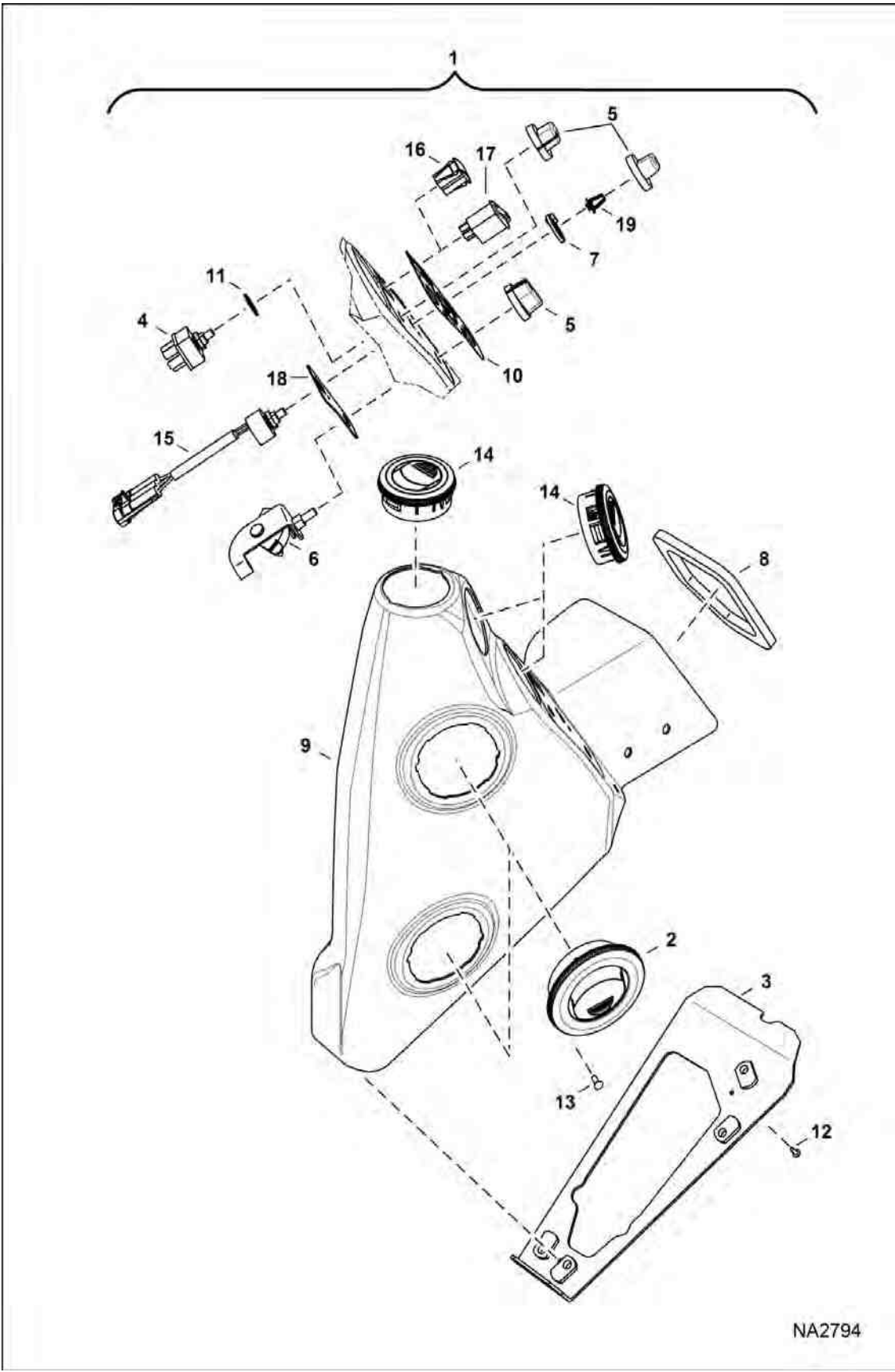
NA8308

HEATER & A/C (Cont'd)

(Heater Assembly)
(S/N AB8B12001 & Above)

Ref No	Part Number	Description	Remarks	Serial Number	Qty
1	7225425	HEATER, CAB	Ref. 2-21		1
2	7222772	CORE, HEATER			1
3	7222770	HOUSING, BASE			1
4	7222771	COVER, HVAC			1
5	7224878	COVER, FILTER PARTICULATE			1
6	6677119	SCREW			6
7	7240762	HARNES, HEATER	harness not shown - grommet included		1
8	7176099	FILTER, AIR FRESH 10			1
9	7222791	FILTER, AIR RECIRCULATING			1
10	7240091	SEAL, FOAM			1
11	7193541	DRAIN, WATER SEAT			2
12	7018001	VALVE, DRAIN			1
13	7240094	CLAMP, HOSE			2
14	7240759	SCREW			4
15		TAPE, INSULATING	NLA - 175 mm (6.89") long - Order Ref. 21		1
16	7240130	INSULATION, HEATER			1
17		TAPE, INSULATING	NLA - 20 mm (.80") long - Order Ref. 21		1
18	7240095	BLOWER, HEATER-A/C			1
18	7031587	RESISTOR			1
19	7236263	GROMMET			1
20	7165333	CLIP			x
21	6676538	INSULATION TAPE FT	bulk - sold per foot		x

HEATER & A/C
(Heater/HVAC Duct)
(S/N AB8B11001 - AB8B11999)



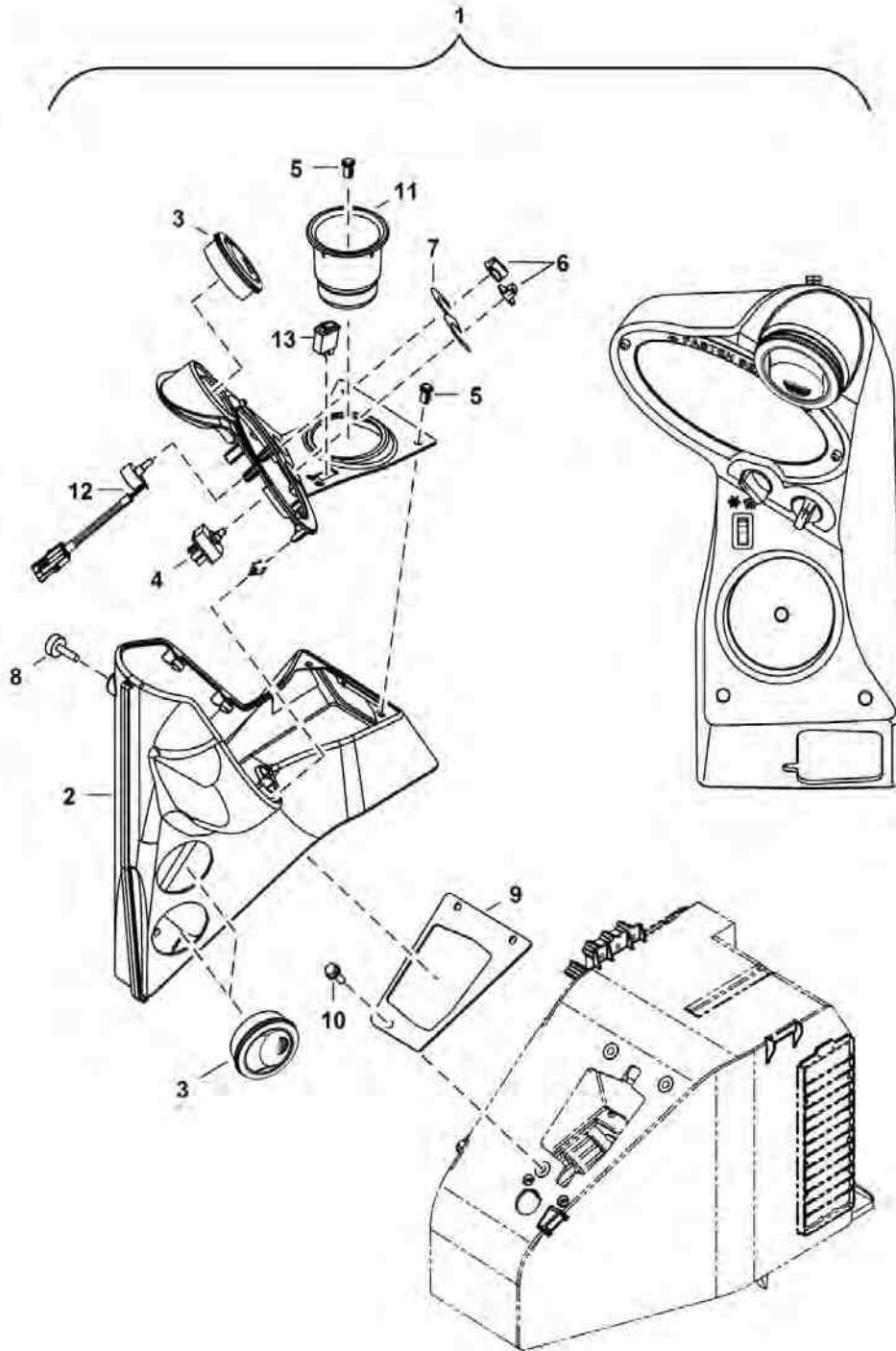
NA2794

HEATER & A/C (Cont'd)

(Heater/HVAC Duct)
(S/N AB8B11001 - AB8B11999)

Ref No	Part Number	Description	Remarks	Serial Number	Qty
1		DUCT, AIR ASSY	NLA - Order components		1
2	7011094	LOUVER			2
3	7018006	BRACKET			1
4	6675176	SWITCH			1
5	6684940	KNOB			3
6	7018008	CONTROL			1
7	7029538	RING, STOP		AB8B & Above	1
8	7003460	SEAL, FOAM			1
9	7011091	DUCT, AIR		AB8B11001 -	1
9	7029535	DUCT, AIR	Use W/Ref. 7, 10 (7029539), 18 (7029536), & 19	AB8B & Above	1
10	7011090	DECAL		AB8B11001 -	1
10	7029539	DECAL, INDICATOR	Use W/Ref. 7, 9 (7029535), 18 (7029536), & 19	AB8B & Above	1
11	7018009	WASHER			1
12	7011088	RIVET, POP			2
13	7011086	SCREW, TAPPING			8
14	7011095	LOUVER			3
15	7018010	SWITCH, CONTROL TEMP			1
16	6675181	PLUG SWITCH HOLE			1
17	7169112	SWITCH, ROCKER A/C			1
18	7018007	PLATE		AB8B11001 -	1
18	7029536	PLATE, SUPPORT	Use W/Ref. 7, 9 (7029535), 10 (7029539), & 19	AB8B & Above	1
19	7029537	PIN, MOUNTING		AB8B & Above	1

HEATER & A/C
(Heater/HVAC Duct)
(S/N AB8B12001 & Above)



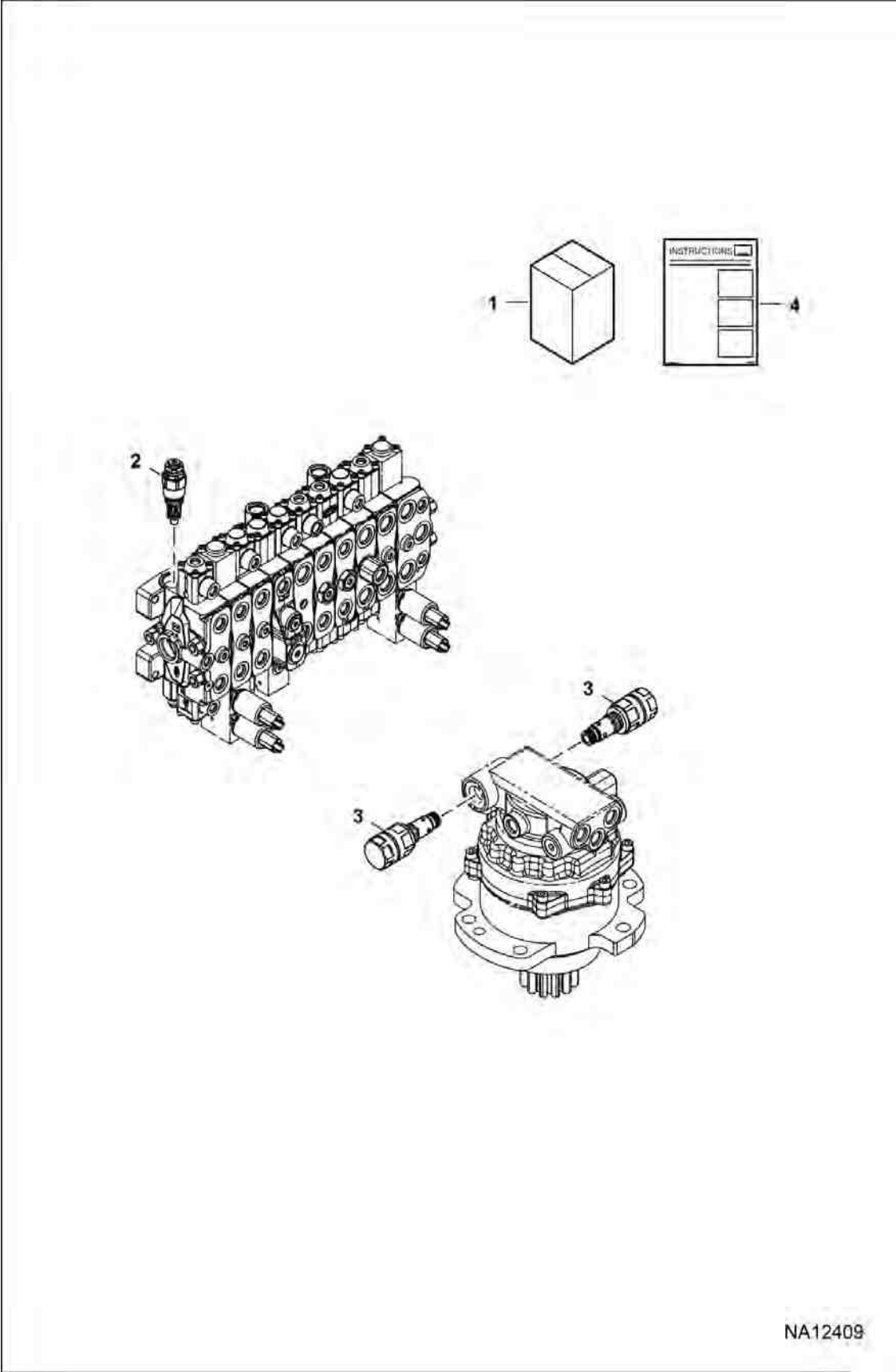
NA8335

HEATER & A/C (Cont'd)

(Heater/HVAC Duct)
(S/N AB8B12001 & Above)

Ref No	Part Number	Description	Remarks	Serial Number	Qty
1		DUCT, AIR ASSY	NLA - Order components		x
2	7210713	CONSOLE, CAB			1
3	7218230	LOUVER, ROUND			3
4	7232486	SWITCH, FAN			1
5	7160383	RIVET, BIRD CAGE			3
6	6675177	KNOB			2
7	7224166	DECAL, HVAC			1
8	6655399	BUMPER			1
9	7226030	PLATE			1
10	29CM825	SCREW HEX HD W/F 8.8			3
11	7016425	HOLDER, CUP			1
12	7168604	RESISTOR			1
13	7169112	SWITCH, ROCKER A/C			1

HIGH ALTITUDE KIT

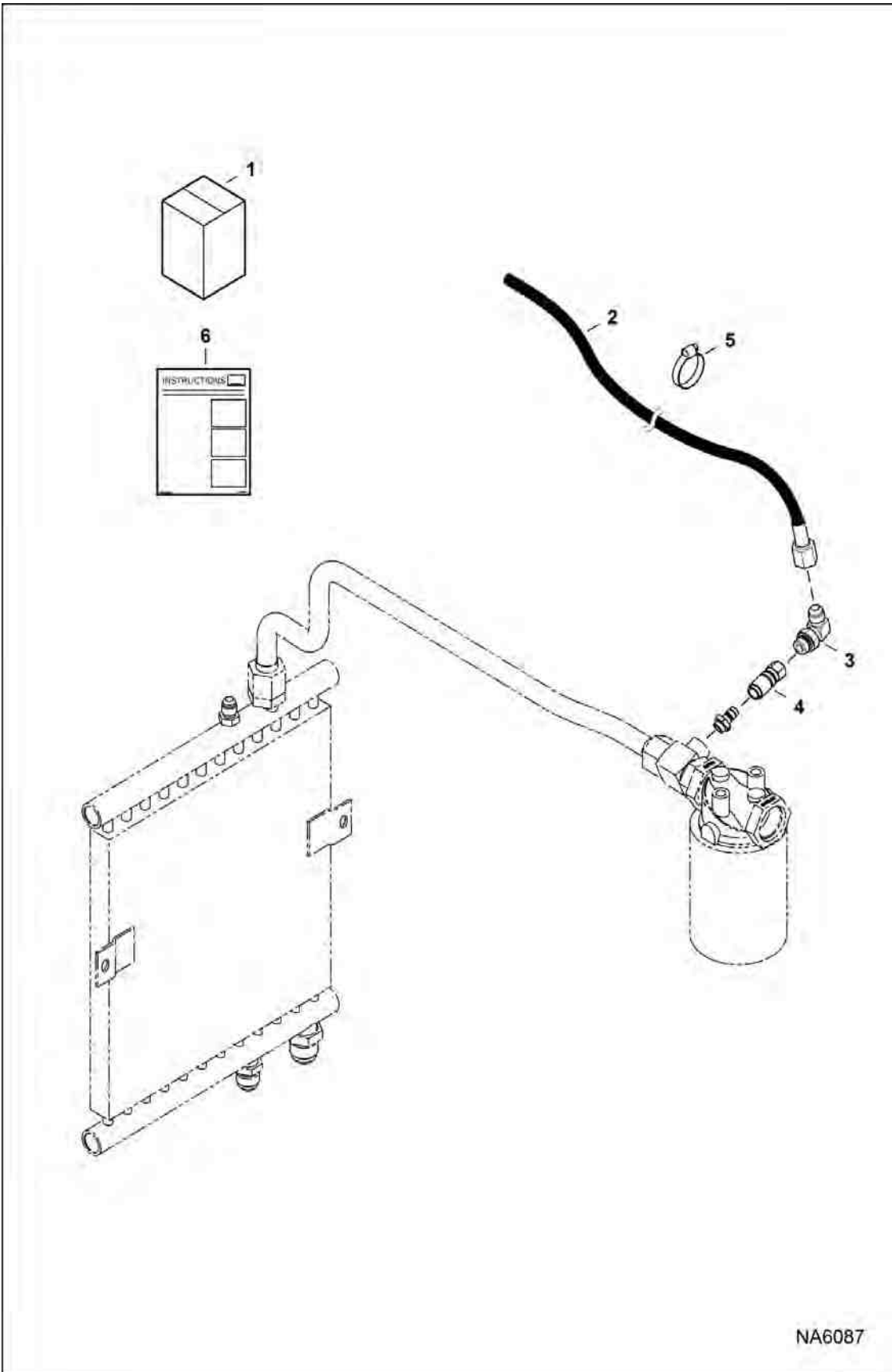


NA12409

HIGH ALTITUDE KIT (Cont'd)

Ref No	Part Number	Description	Remarks	Serial Number	Qty
1	7306999	KIT HYD	Ref. 2-4		1
2	7306996	VALVE RELIEF			1
3	7306997	VALVE RELIEF			2
4	7306998	INSTRUCTIONS			1

HOSE AIR BLEED KIT

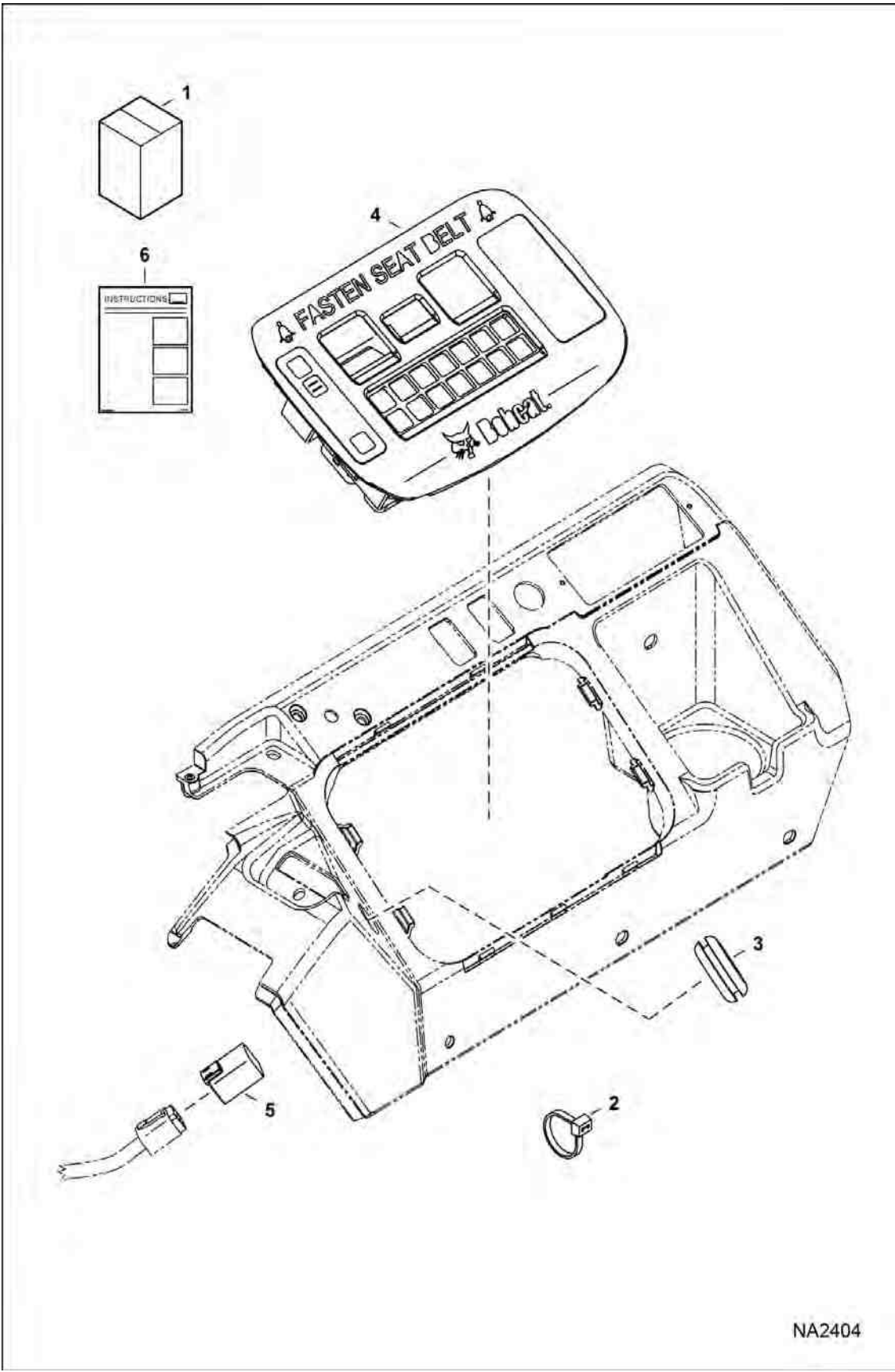


NA6087

HOSE AIR BLEED KIT (Cont'd)

Ref No	Part Number	Description	Remarks	Serial Number	Qty
1	7200829	KIT HOSE AIR BLEED	Ref. 2-5		1
2	7201368	HOSE OIL			1
3	17KB0606	FITTING			1
3	79K6	O RING 10			x
4	6689773	COUPLER			1
5	42HS04	CLAMP HOSE TYPE M			1
6	6990161ENUS	INSTRUCTIONS	Was 6990161 [A]		1

KEYLESS IGNITION KIT
(S/N AB8B11001 - AB8B11999)

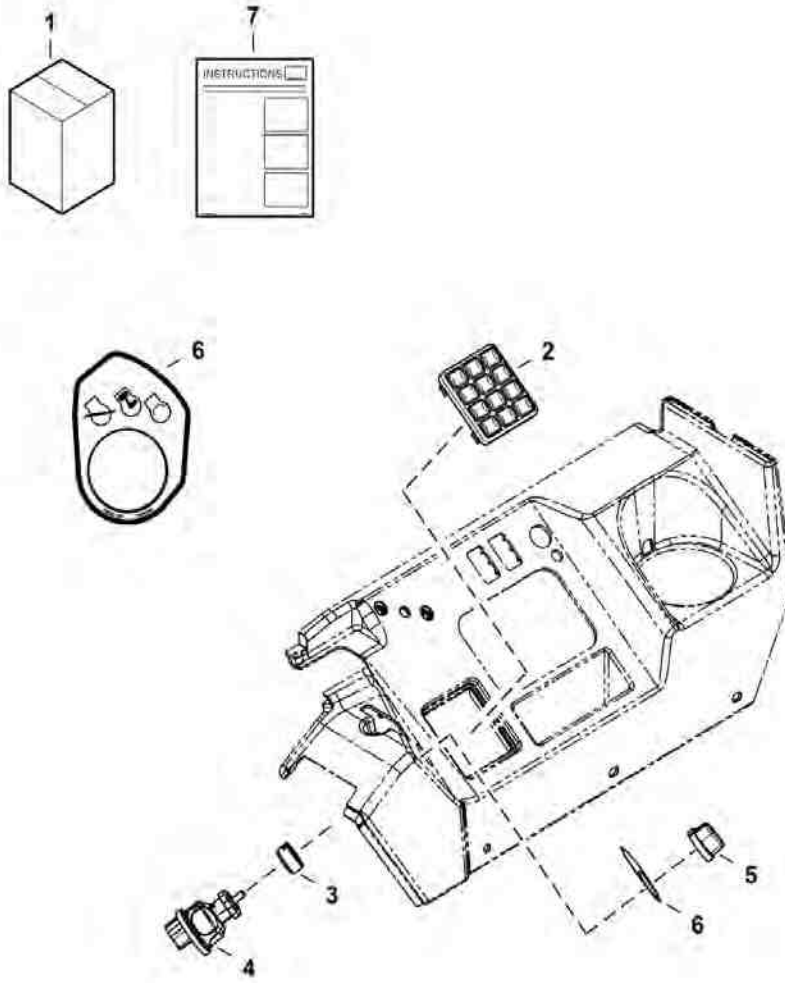


NA2404

KEYLESS IGNITION KIT (Cont'd)
(S/N AB8B11001 - AB8B11999)

Ref No	Part Number	Description	Remarks	Serial Number	Qty
1	7181592	KIT, IGN KEYLESS	Ref. 2-6	AB8B11001 - 11999	1
2	6610510	STRAP, TIE 10			1
3	6676922	PLUG			1
4	6698609	CONTROLLER, KEYLESS PANEL			1
5	7010502	CAP, CONNECTOR			1
6	6989410	INSTRUCTIONS			1

KEYLESS IGNITION KIT
(S/N AB8B12001 & Above)

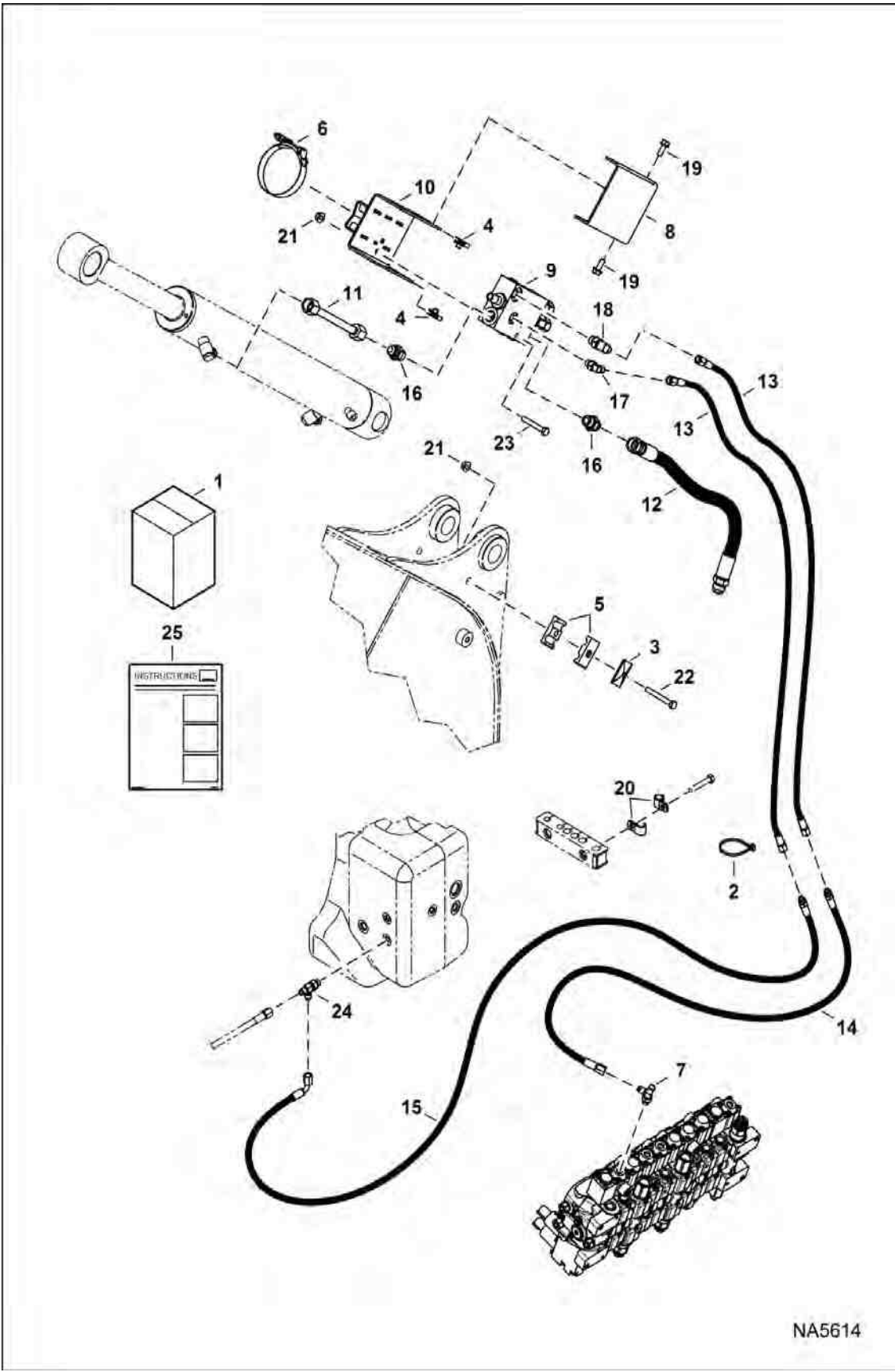


NA8328

KEYLESS IGNITION KIT (Cont'd)
(S/N AB8B12001 & Above)

Ref No	Part Number	Description	Remarks	Serial Number	Qty
1	7238484	KIT, IGN KEYLESS	Ref. 2-7	AB8B12001 & Above	1
2	6693712	KEYPAD, PANEL			1
3	7000328	ADAPTER, SWITCH IGN			1
4	7023022	SWITCH ROTARY			1
5	7023588	KNOB			1
6	7186708	DECAL, SWITCH IGN			1
7	6990891ENUS	INSTRUCTIONS	Was 6990891 [A]		1

LOAD HOLD (Arm Kit)

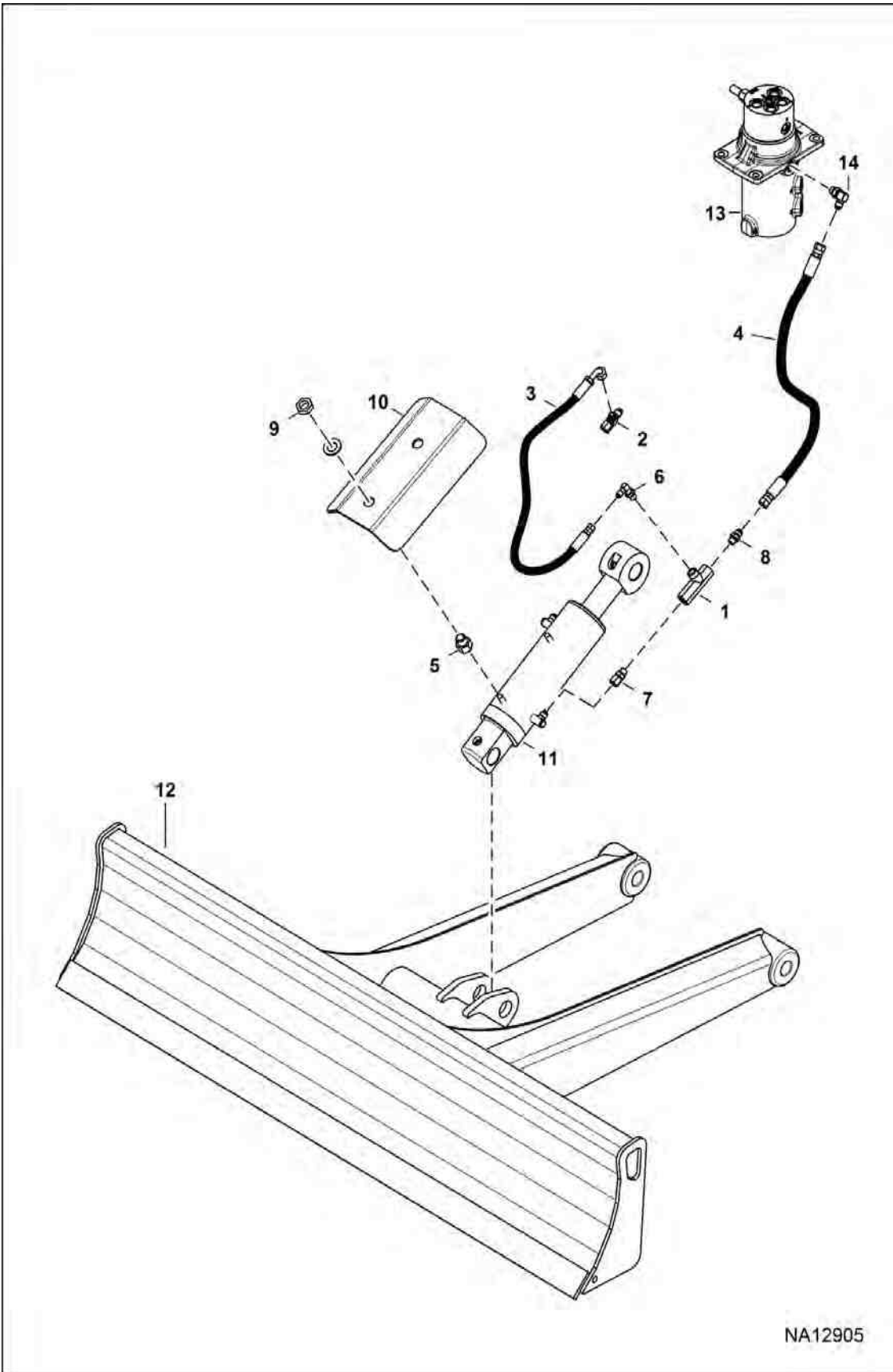


NA5614

LOAD HOLD (Cont'd)
(Arm Kit)

Ref No	Part Number	Description	Remarks	Serial Number	Qty
1	7207811	KIT, LOAD HOLD ARM	Ref. 2-19 & 21-25 - must be used with boom load hold kit or option		1
2	6610510	STRAP, TIE 10			2
3	6652521	PLATE			1
4	6676169	NUT			4
5	6701892	CLAMP			2
6	7009353	CLAMP, T-BOLT			2
7	7166606	TEE			1
7	79K4	O RING 10			x
8	7174256	BRACKET, VALVE			1
9	7189078	VALVE, LOCK LOAD	See Illustration LOAD HOLD / NA2293		1
10	7196886	BRACKET, VALVE			1
11	7196921	TUBELINE, HYD			1
12	7196922	HOSE, HYD			1
13	7197125	HOSE, HYD			2
14	7197552	HOSE, HYD			1
15	7197553	HOSE, HYD			1
16	15KB0808	FITTING, HYD CONNECTOR			2
16	79K8	O RING 10			x
17	17KB0404	FITTING, HYD ELBOW			1
17	79K4	O RING 10			x
18	17KB0406	FITTING, HYD ELBOW			1
18	79K6	O RING 10			x
19	29CM820	SCREW FLNGE HEX CAP			4
20	30H30	CLIP	not in kit		2
21	51DM8	NUT HX THDLK PREAPPL			3
22	1CM855	BOLT			1
23	53CM855	SCREW			2
24	21KB0404	FITTING, HYD TEE			1
24	79K4	O RING 10			x
25	6990231ENUS	INSTRUCTIONS	Was 6990231ENUS [A]		1

LOAD HOLD (Blade)

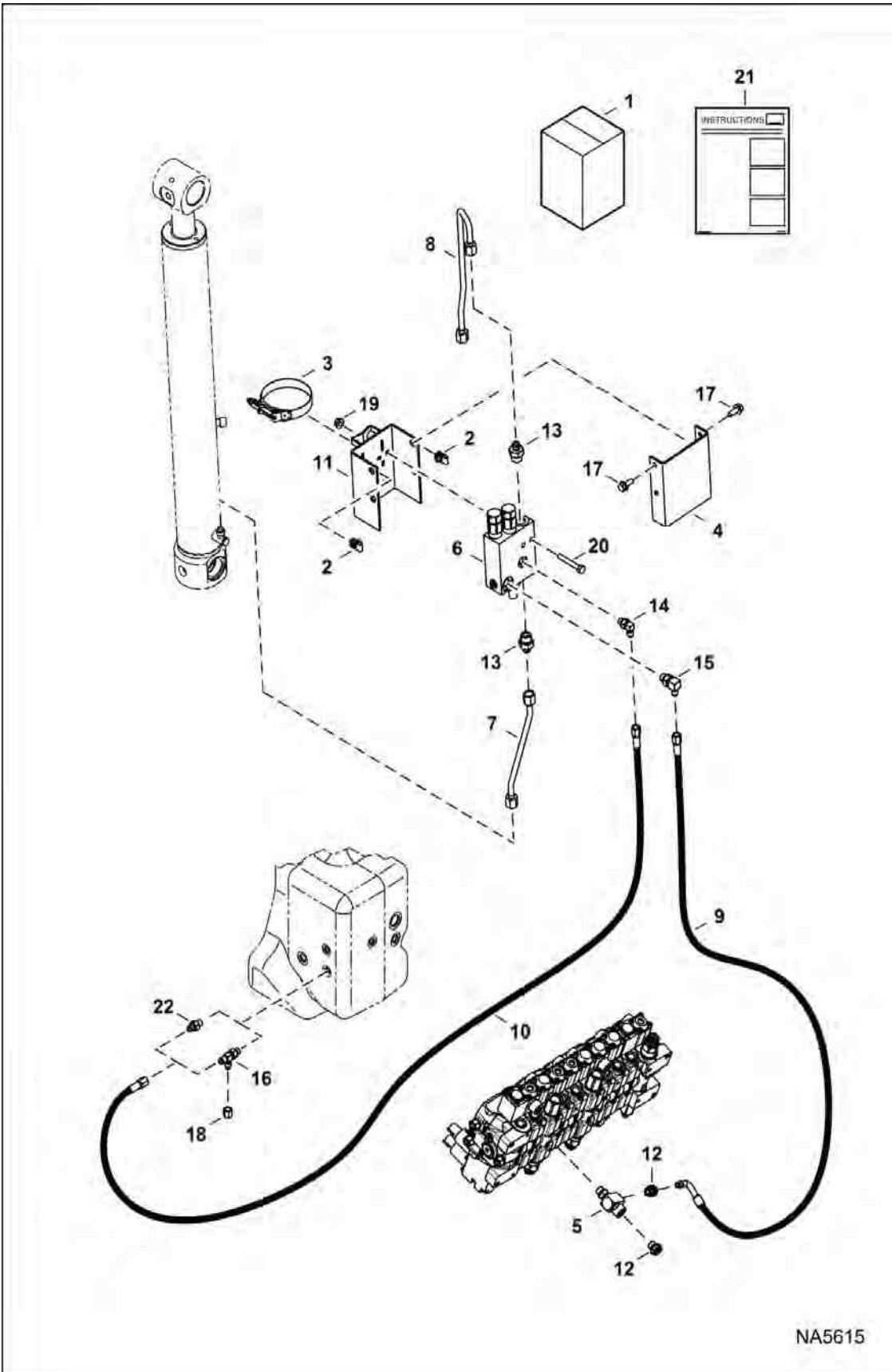


NA12905

LOAD HOLD (Cont'd)
(Blade)

Ref No	Part Number	Description	Remarks	Serial Number	Qty
1	7280743	VALVE BLADE LHV			1
2	7285154	FITTING HYD TEE			1
3	7285155	HOSE HYD ASSY			1
4	7285157	HOSE HYD ASSY			1
5	7285276	NUT HEX			2
6	7285786	FITTING HYD ELBOW 90			1
7	7285958	FITTING HYD CONNTECTOR			1
8	7285959	FITTING HYD CONNECTOR			1
9	59CM1016	SCREW			2
10	7301184	SHIELD			1
11	7164575	CYLINDER, BLADE			1
12	7233301	BLADE, EXC			1
13	7278823	SWIVEL, HYD ASSY			1
14	15KB0606	FITTING, HYD CONNECTOR			2

LOAD HOLD (Boom Kit)

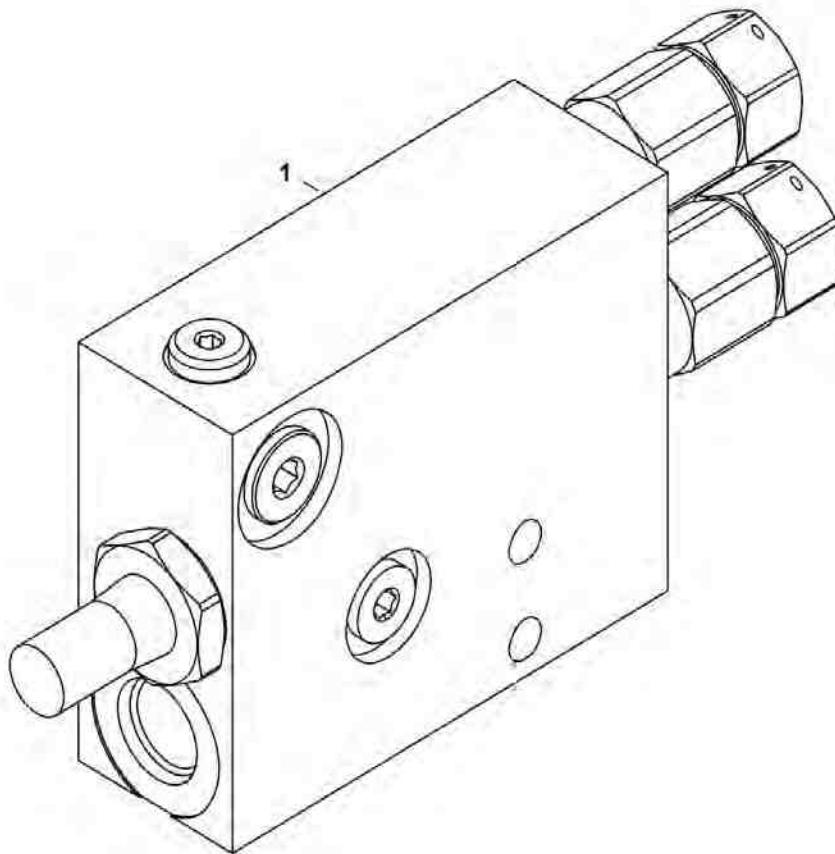


NA5615

LOAD HOLD (Cont'd)
(Boom Kit)

Ref No	Part Number	Description	Remarks	Serial Number	Qty
1	7207809	KIT, LOAD HOLD BOOM	Ref. 2-21		1
2	6676169	NUT			4
3	7009353	CLAMP, T-BOLT			2
4	7247072	COVER	Was 7174256 [B]		1
5	7185275	FITTING, HYD TEE			1
5	79K6	O RING 10			x
6	7189078	VALVE, LOCK LOAD	See Illustration LOAD HOLD / NA2293		1
7	7247073	TUBELINE, HYD	Was 7196470 [B]		1
8	7247074	TUBELINE, HYD	Was 7196618 [B]		1
9	7196714	HOSE, HYD			1
10	7196820	HOSE, HYD			1
11	7259342	BRACKET	Was 7247071 [A]		1
12	10L0606	FITTING, HYD CONNECTOR			2
12	78K6	O'RING			x
12	7011053	CLIP			x
13	15KB0608	FITTING, HYD CONNECTOR			2
13	79K8	O RING 10			x
14	17KB0404	FITTING, HYD ELBOW			1
14	79K4	O RING 10			x
15	17KB0406	FITTING, HYD ELBOW			1
15	79K6	O RING 10			x
16	21KB0404	FITTING, HYD TEE			1
16	79K4	O RING 10			x
17	29CM820	SCREW FLNGE HEX CAP			4
18	36K3	CAP			1
19	51DM8	NUT HX THDLK PREAPPL			2
20	53CM855	SCREW			2
21	6990230ENUS	INSTRUCTIONS	WAS 6990230 [A]		1
22	15KB0404	FITTING, HYD CONNECTOR	option		1
22	79K4	O RING 10			x

LOAD HOLD
(Valve)

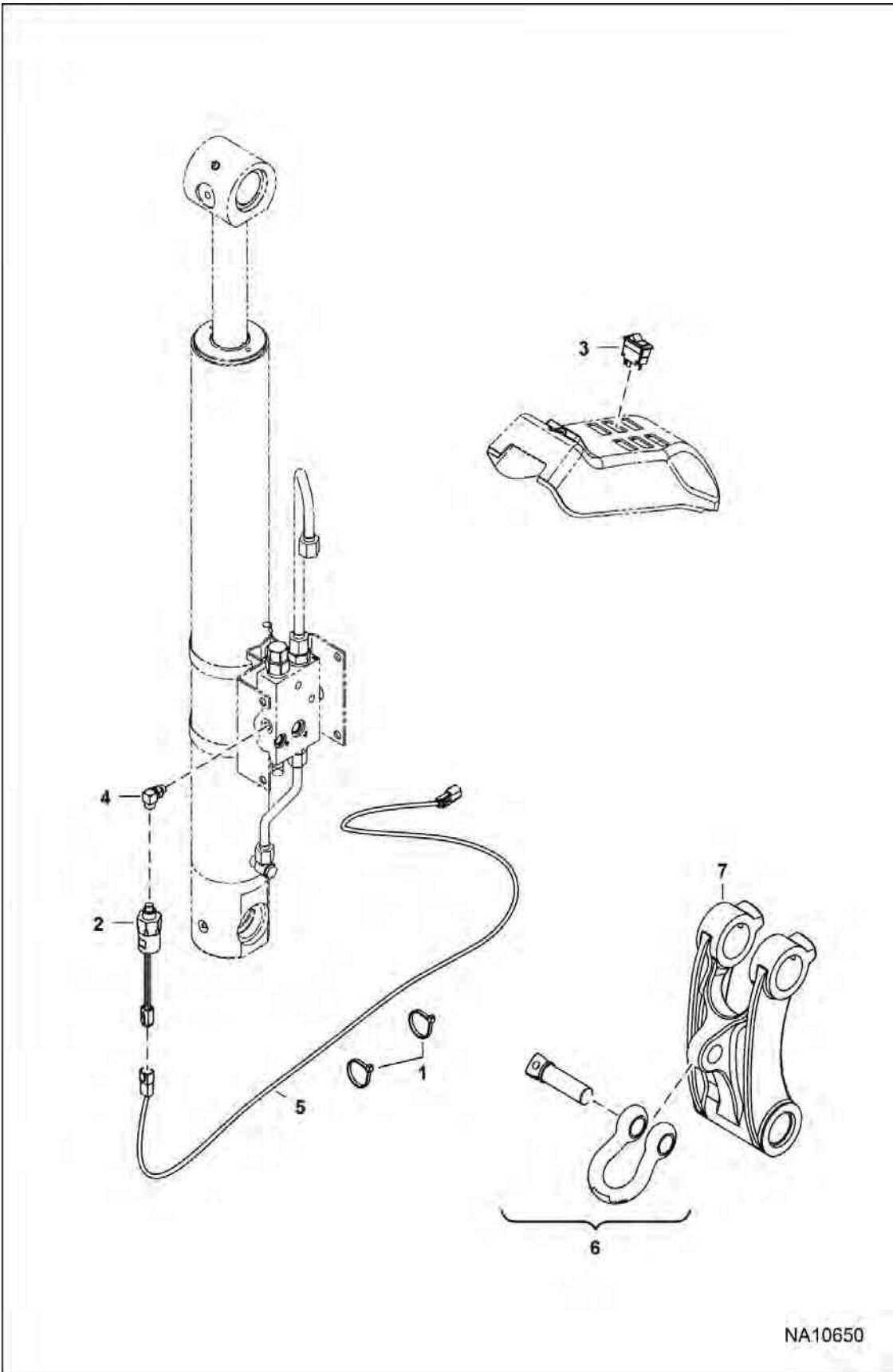


NA2293

LOAD HOLD (Cont'd)
(Valve)

Ref No	Part Number	Description	Remarks	Serial Number	Qty
1	7189078	VALVE, LOCK LOAD			1

LOAD MOMENT ALARM

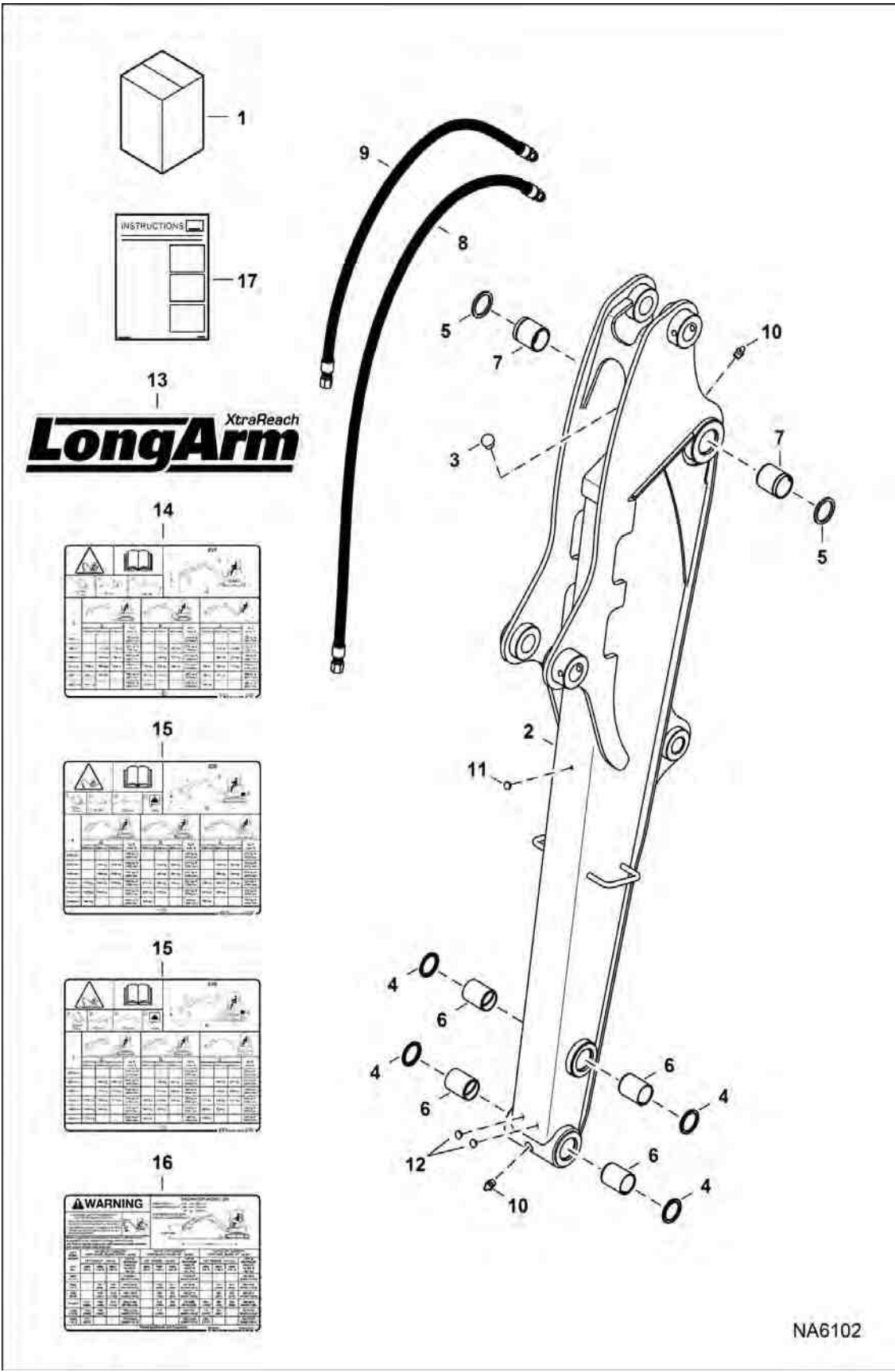


NA10650

LOAD MOMENT ALARM (Cont'd)

Ref No	Part Number	Description	Remarks	Serial Number	Qty
1	6682345	STRAP, TIE 8			4
2	7010237	SWITCH, PRESSURE			1
3	7010503	SWITCH, ROCKER			1
4	7184334	FITTING, ELBOW			1
4	79K4	O RING 10			X
5	7221260	HARNESS, LOAD MOMENT			1
6	7250480	SHACKLE			1
7	7250873	LINK, ASSY			1

LONG ARM KIT

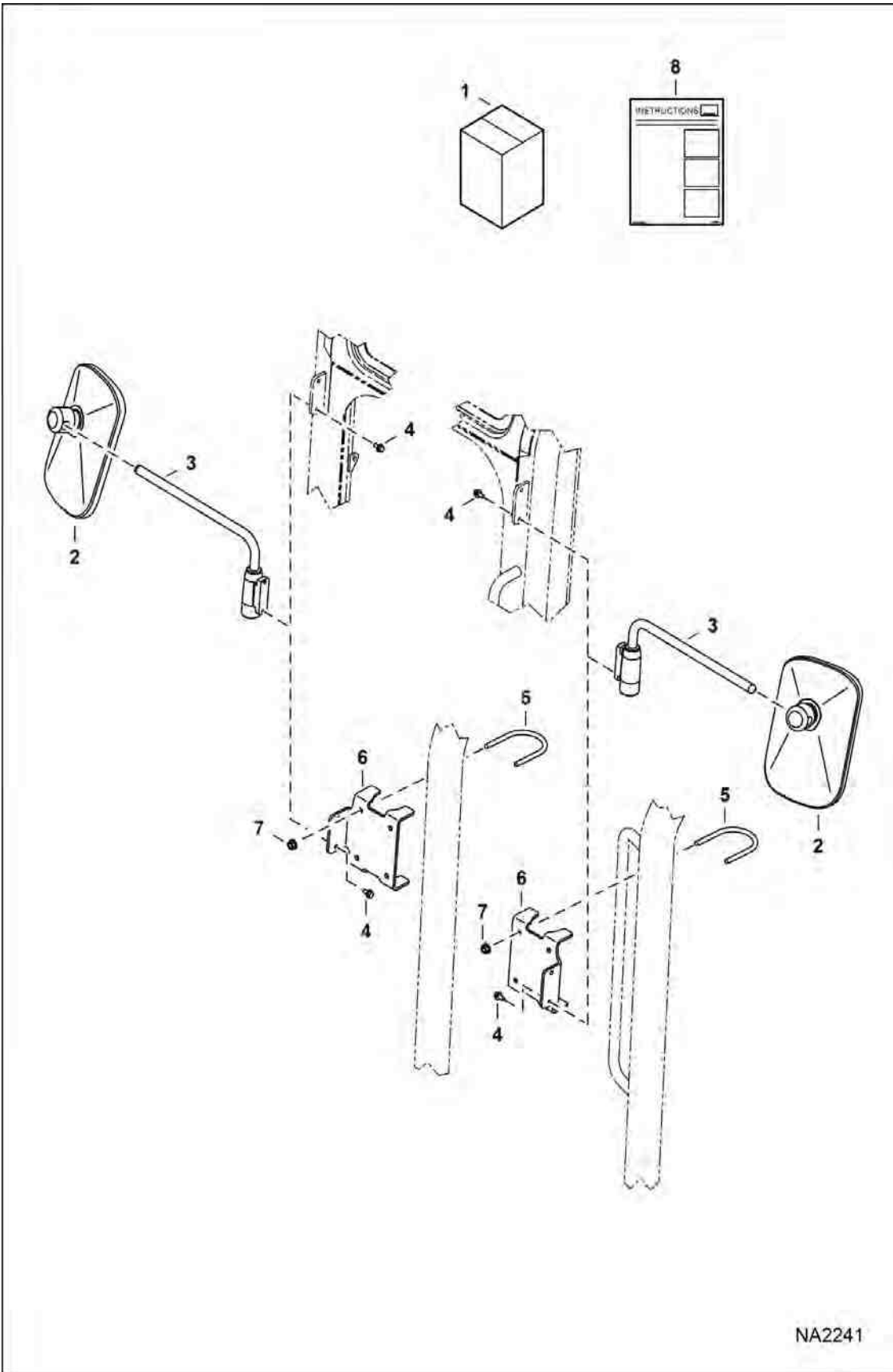


NA6102

LONG ARM KIT (Cont'd)

Ref No	Part Number	Description	Remarks	Serial Number	Qty
1	7203722	KIT, ARM LONG	Ref. 2-15 - Also Order counterweight kit if not already equipped		1
2	7206870	ARM, DIPPER W/A LONG EXC			1
3	6597572	BUMPER			1
4	6652915	SEAL, OIL			4
5	6660075	SEAL			2
6	6803213	BUSHING, PRESS FIT			4
7	6815277	BUSHING			2
8	7252034	HOSE, HYD ASSY	Was 7165082 [B]		1
9	7252035	HOSE, HYD ASSY	Was 7193555 [B]		1
10	10H25	FITTING, GREASE 5			2
11	7248464	PLUG			1
12	7248465	PLUG			2
13	7147433	DECAL, ARM LONG			1
14	7183900	DECAL, CAPACITY LIFT			1
15	7201622	DECAL, CAPACITY LIFT	W/additional counterweigh-E26 - no-text		1
15	7227164	DECAL, CAPACITY LIFT	W/additional counterweight - E25 - no-text		1
16	7206150	DECAL, CAPACITY LIFT	long arm - text		1
17	6990137ENUS	INSTRUCTIONS	Was 6990137 [A]		1

MIRROR KIT

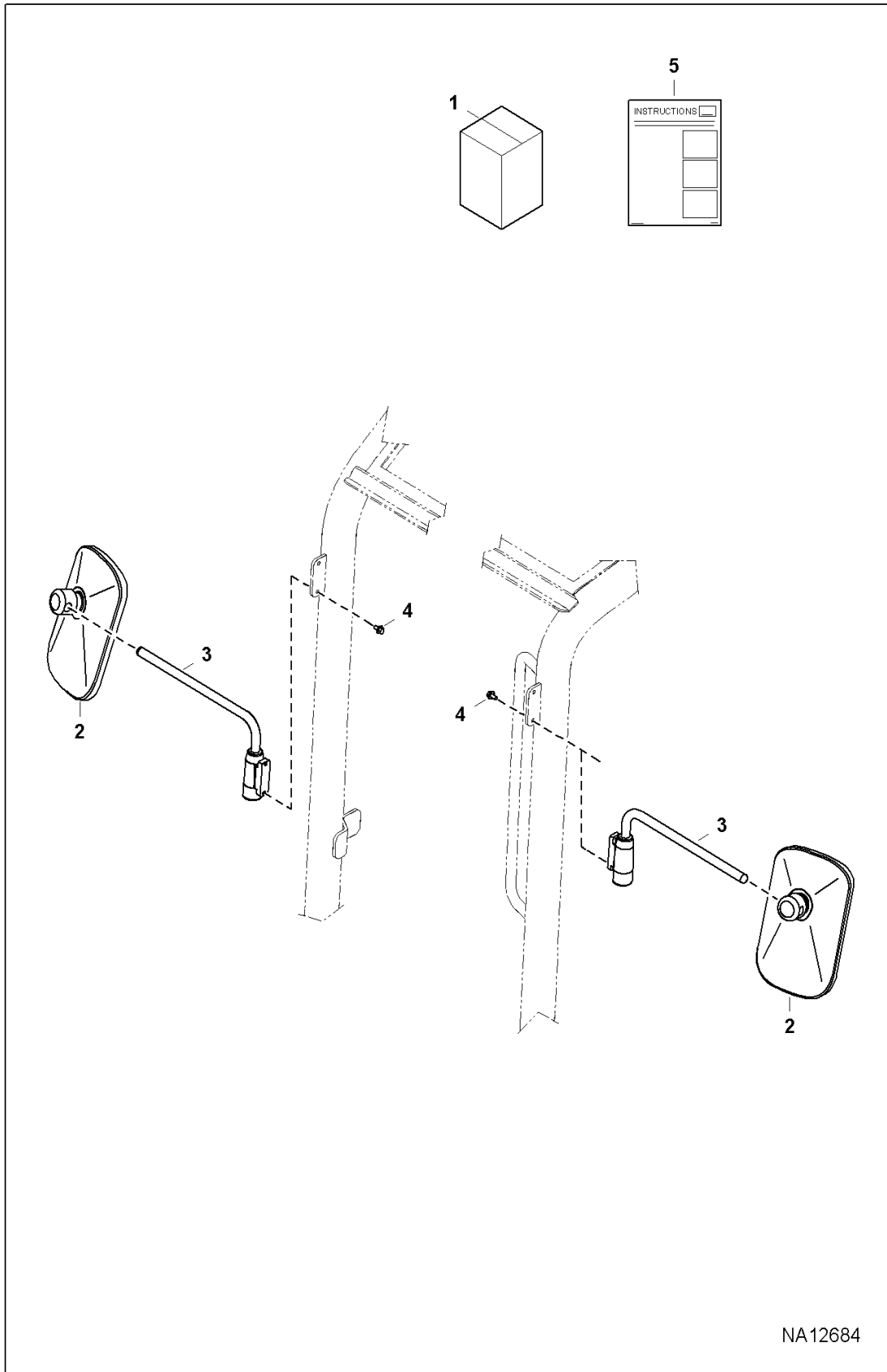


NA2241

MIRROR KIT (Cont'd)

Ref No	Part Number	Description	Remarks	Serial Number	Qty
1	7173148	KIT, MIRROR	Ref. 2-8		1
2	6684564	MIRROR, SIDE HEAD			2
3	6684567	MIRROR ARM LH			2
4	29CM612	BOLT, FLANGED			4
5	7176604	U-BOLT			4
6	7180021	BRACKET, MIRROR			2
7	43DM8	NUT FLANGED HEX			8
8	6987412ENUS	INSTRUCTIONS	Was 6987412 [A]		1

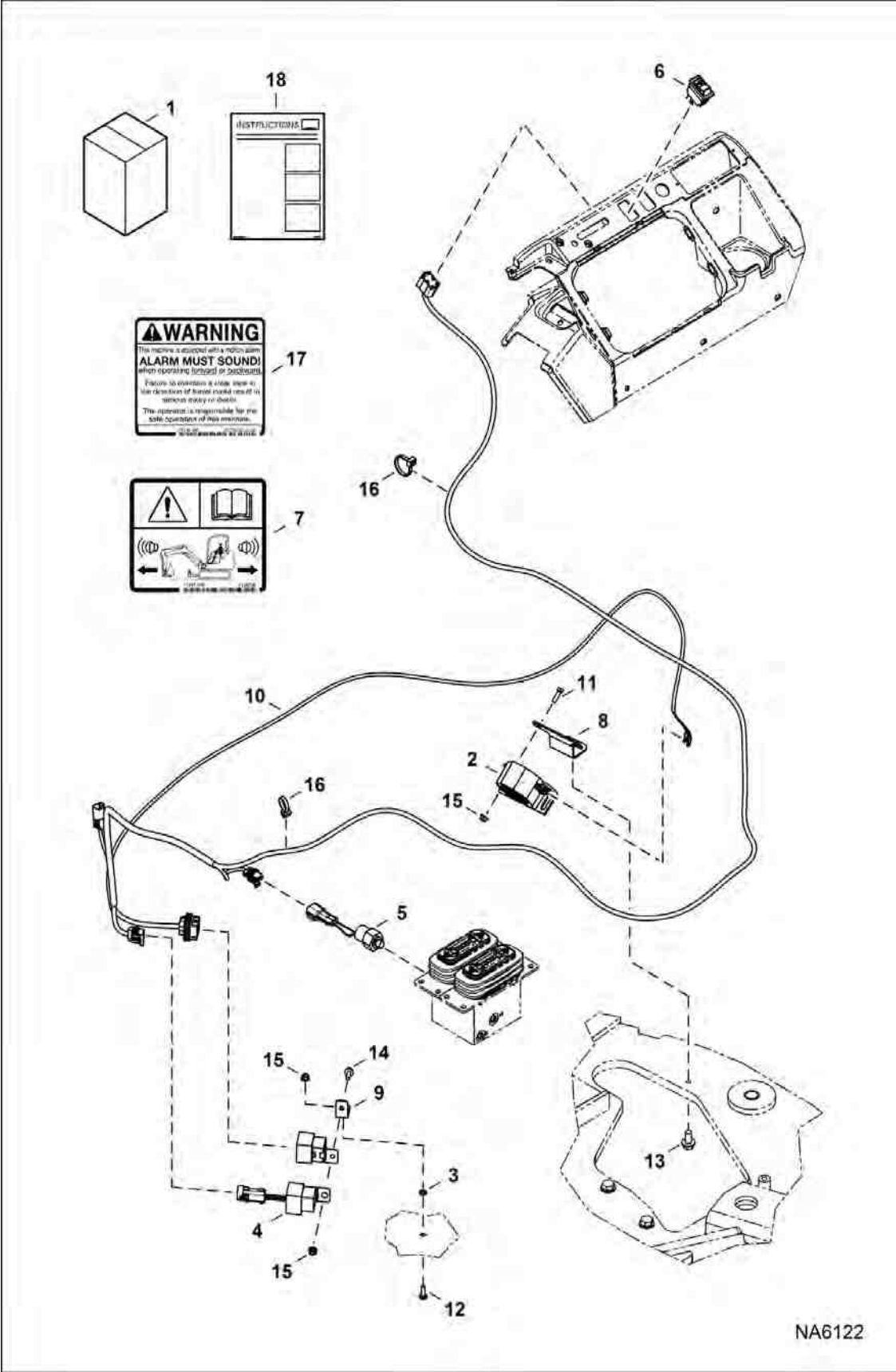
MIRROR KIT



MIRROR KIT (Cont'd)

Ref No	Part Number	Description	Remarks	Serial Number	Qty
1	7305798	MIRROR KIT	Ref. 2-5		1
2	6684564	MIRROR, SIDE HEAD			2
3	6684567	MIRROR ARM LH			2
4	29CM612	BOLT, FLANGED			4
5	6987412ENUS	INSTRUCTIONS			1

MOTION ALARM KIT

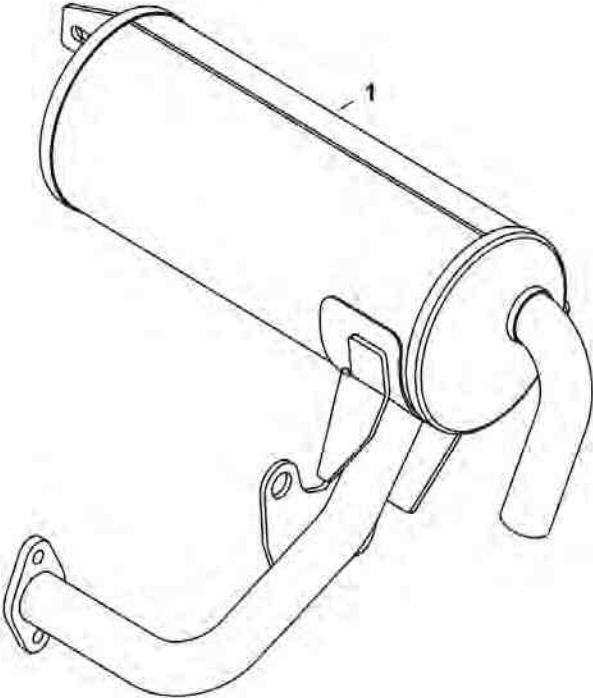


NA6122

MOTION ALARM KIT (Cont'd)

Ref No	Part Number	Description	Remarks	Serial Number	Qty
1	7204641	KIT, ALARM MOTION	Ref. 2-18		1
2	6651512	ALARM, BACK-UP			1
3	6675212	RETAINER, BOLT			1
4	6675928	RELAY			1
5	7008933	SWITCH, PRESS OIL HYD			1
6	7010298	SWITCH, ALARM MOTION			1
7	7136738	DECAL WARNING			1
8	7168280	BRACKET, ALARM			1
9	7193425	HOLDER, RELAY			1
10	7193556	HARNESS, ALARM MOTION		AB8B11001 - 11999	1
10	7246261	HARNESS, ALARM MOTION		AB8B12001 & Above	1
11	4CM620	BOLT	Was 1CM620 [A]		2
12	28CM620	BOLT CARRIAGE 8.8			1
13	29CM1020	SCREW HEX 10MMX20MM			1
14	29CM616	SCREW FLGD HEX CAP			1
15	43DM6	NUT FLANGED HEX			4
16	6624289	STRAP, TIE			12
17	6810004	DECAL, WARNING			1
18	6990153ENUS	INSTRUCTIONS	Was 6990153 [A]		1

PURIFIER MUFFLER

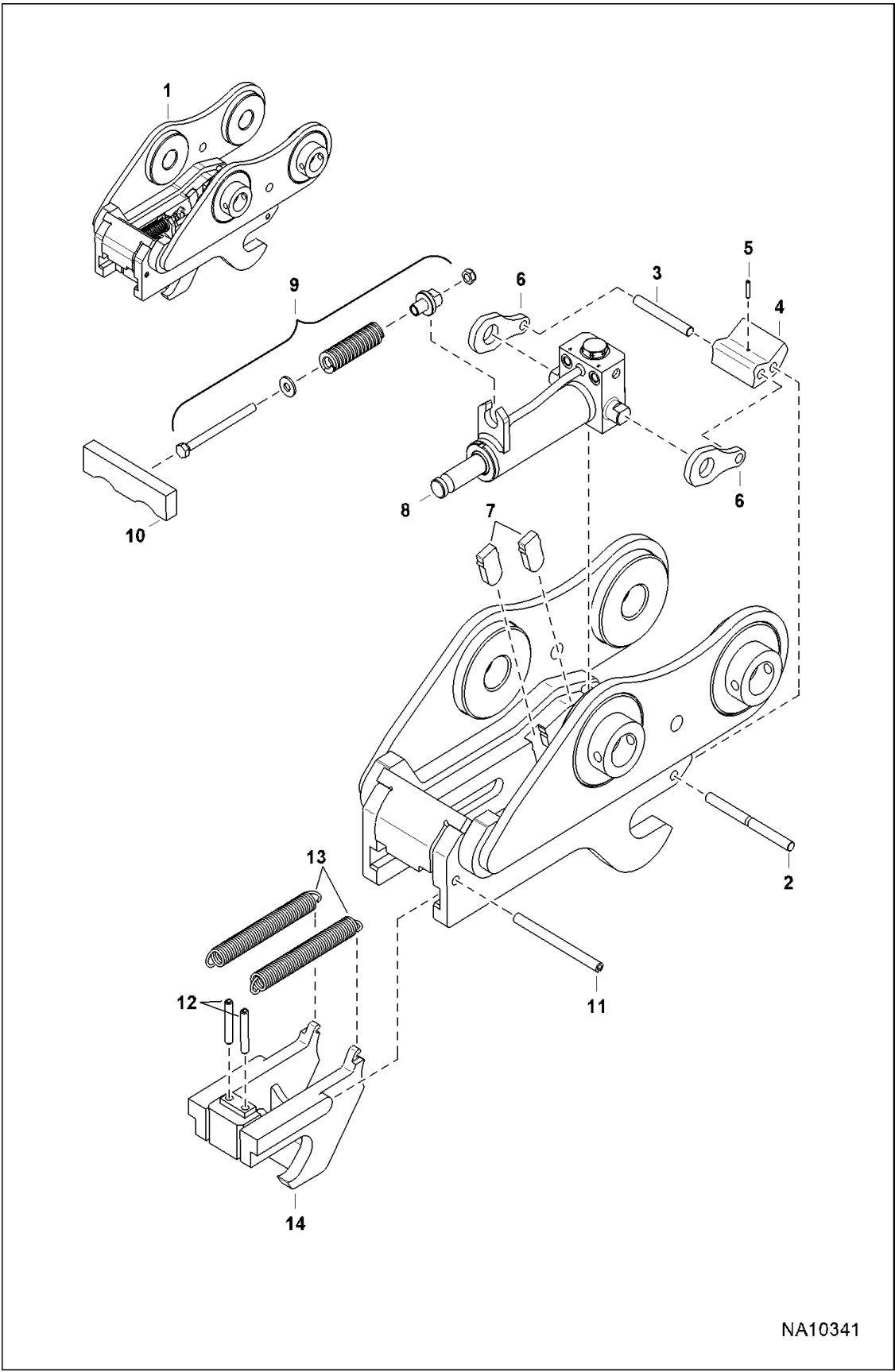


NA6272

PURIFIER MUFFLER (Cont'd)

Ref No	Part Number	Description	Remarks	Serial Number	Qty
1	7217450	MUFFLER, PURIFIER			1

PIN GRABBER QUICK COUPLER (Coupler and Link)

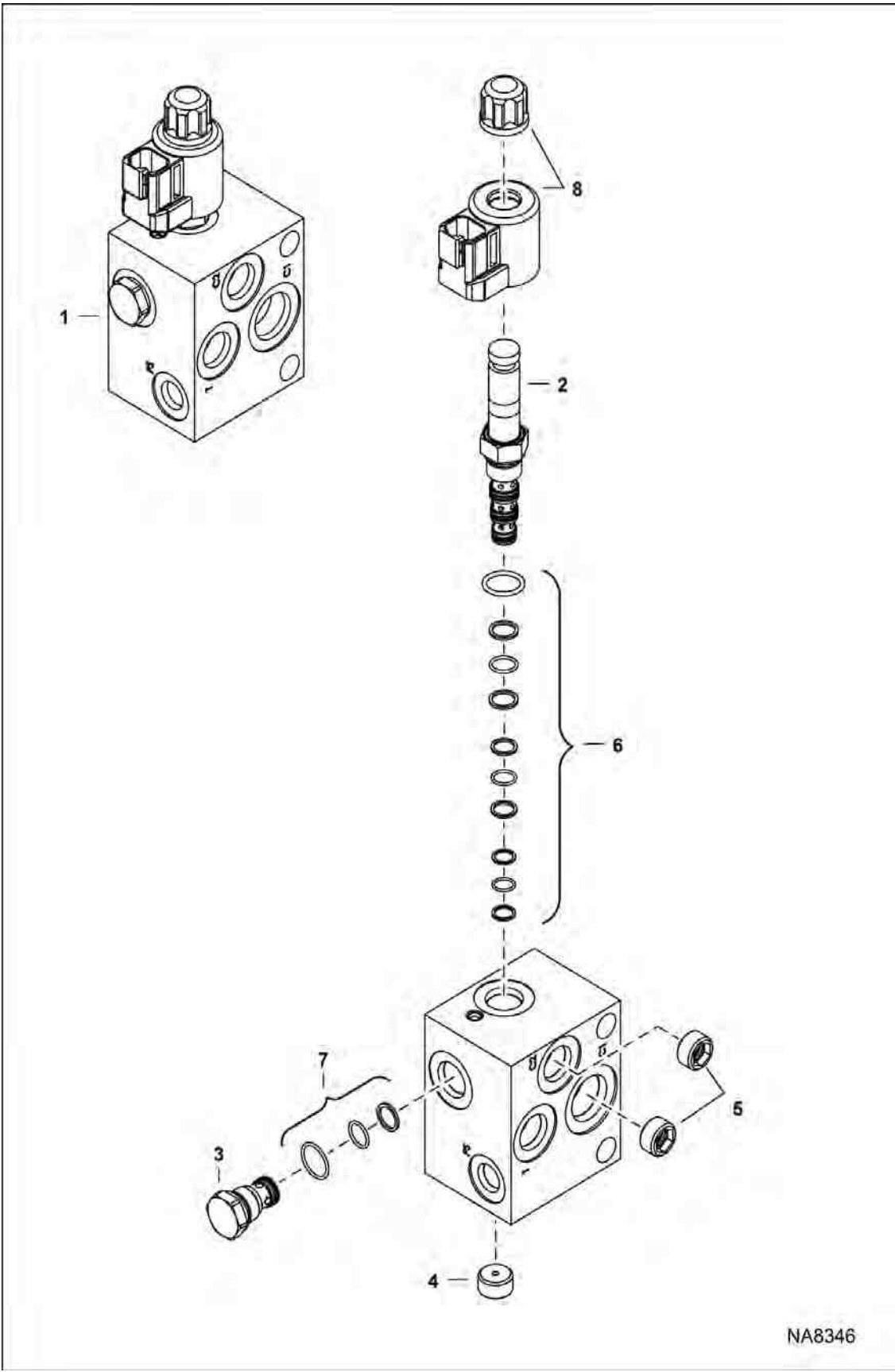


NA10341

PIN GRABBER QUICK COUPLER (Cont'd)
(Coupler and Link)

Ref No	Part Number	Description	Remarks	Serial Number	Qty
1	7243882	COUPLER GEITH QC35	Ref. 2-14		1
2	7266705	PIN, LOCK			1
3	7266706	PIN, LOCK			1
4	7266707	LOCK			1
5	7266708	PIN, ROLL			1
6	7266709	LINK			2
7	7266710	STOP			2
8	7266712	CYLINDER, HYD CLAMP			1
9	7266713	ASSY, SPRING			1
10	7266714	BRACKET, STOP			1
11	7266717	PIN, ROLL			1
12	7266718	PIN, ROLL			2
13	7266719	SPRING, EXTENSION			2
14	7266720	WEDGE			1

PIN GRABBER QUICK COUPLER (Hydraulic)(Manifold)

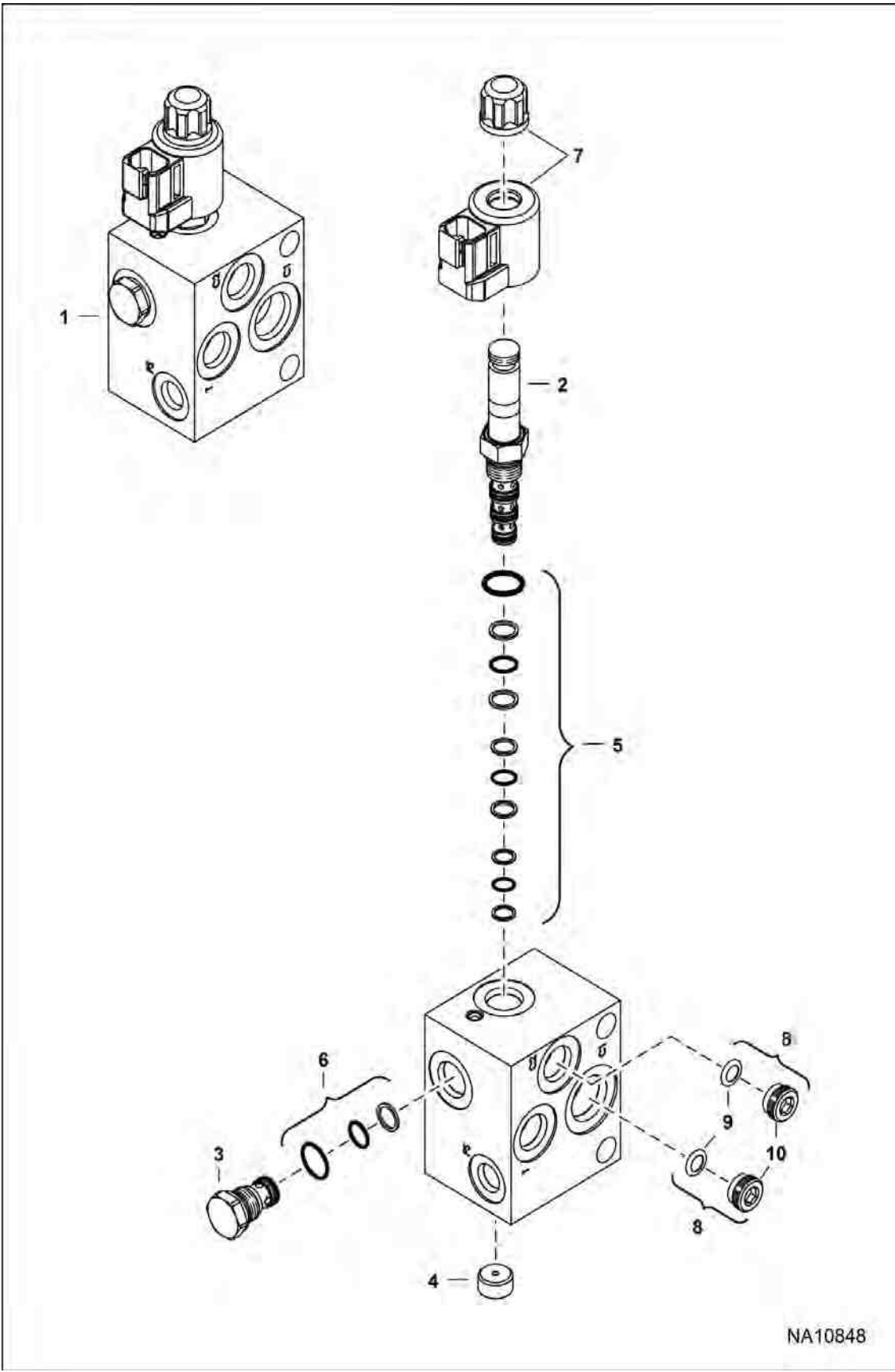


NA8346

PIN GRABBER QUICK COUPLER (Cont'd)
(Hydraulic)(Manifold)

Ref No	Part Number	Description	Remarks	Serial Number	Qty
1		MANIFOLD, HYD ASSY	NLA - Ref. 2-8 - Was 7214139 [A]		1
2	7031569	SPOOL			1
3	7031570	CHECK VALVE			1
4	7031571	SCREEN			1
5	7031572	SCREEN			2
6	7282201	KIT, SEAL	FS064-N - Was 7031573 [A]		1
7	7282204	KIT, SEAL	FS062-N - Was 7031574 [A]		1
8	7025094	COIL, SOLENOID	Was 7031575 [A]		1

PIN GRABBER QUICK COUPLER (Hydraulic)(Manifold)

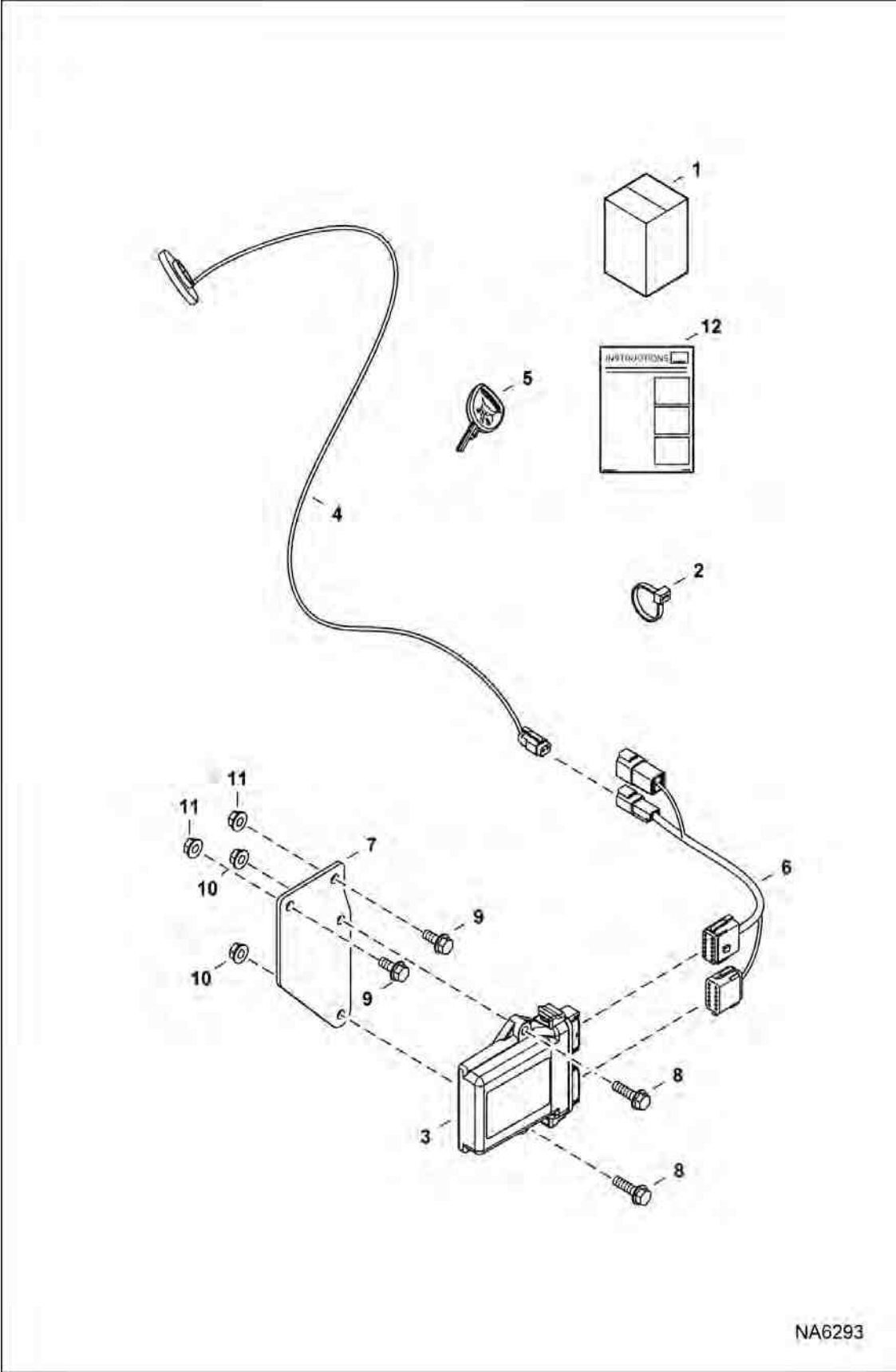


NA10848

PIN GRABBER QUICK COUPLER (Cont'd)
(Hydraulic)(Manifold)

Ref No	Part Number	Description	Remarks	Serial Number	Qty
1	7275319	MANIFOLD GEITH X CHG	Ref. 2-7		1
2	7031569	SPOOL			1
3	7031570	CHECK VALVE			1
4		ORIFICE	NLA - Order Ref. 8 - Was 7276810 [A]		1
5	7282201	KIT, SEAL	FS064-N - Was 7031573 [A]		1
6	7282204	KIT, SEAL	FS062-N - Was 7031574 [A]		1
7	7025094	COIL, SOLENOID			1
8	7280038	ORIFICE	Ref. 9-10 - if equipped		2
9	7266241	SCREEN, DEBRIS			1
10	7266242	PLUG			1

**RADIO FREQUENCY IDENTIFICATION KIT
(RFID)**

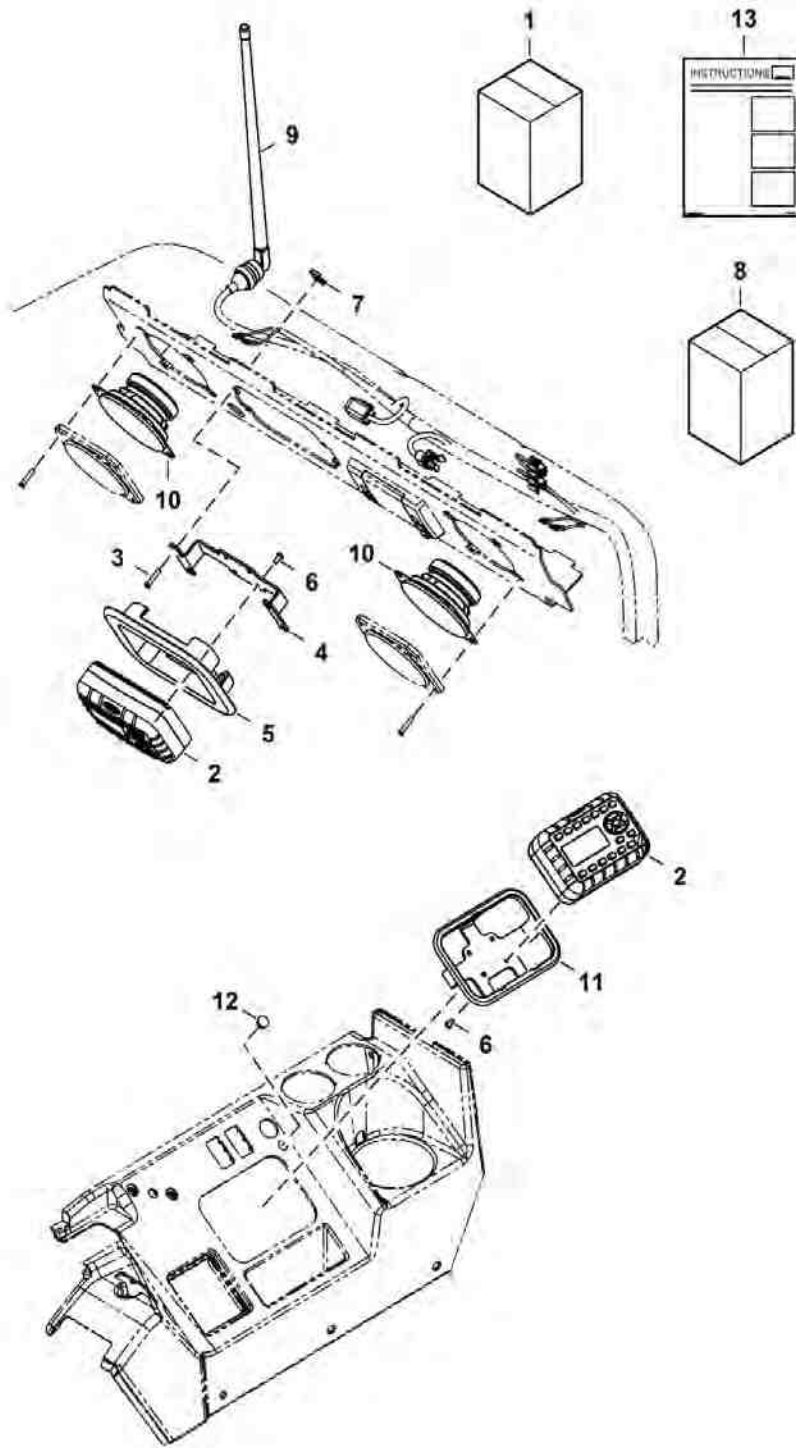


NA6293

RADIO FREQUENCY IDENTIFICATION KIT (Cont'd)
(RFID)

Ref No	Part Number	Description	Remarks	Serial Number	Qty
1		KIT, RFID	NLA - Ref. 2-12 - order components - Was 7176504 [A]	AB8B11001 - 11999	1
2	6624289	STRAP, TIE			6
3	7021126	CONTROLLER, RFID			1
4	7021127	ANTENNA, RFID			1
5	7021128	KEY, RFID			2
6	7176533	HARNESS, SECURITY RFID			1
7	7176545	MOUNT			1
8	29CM630	SCREW FLGD HEX CAP			2
9	29CM816	SCREW FLGD HEX CAP			2
10	43DM8	NUT FLANGED HEX			2
11	51DM6	NUT HX THDLK PREAPPL			2
12	6987409	INSTRUCTIONS			1

RADIO KIT

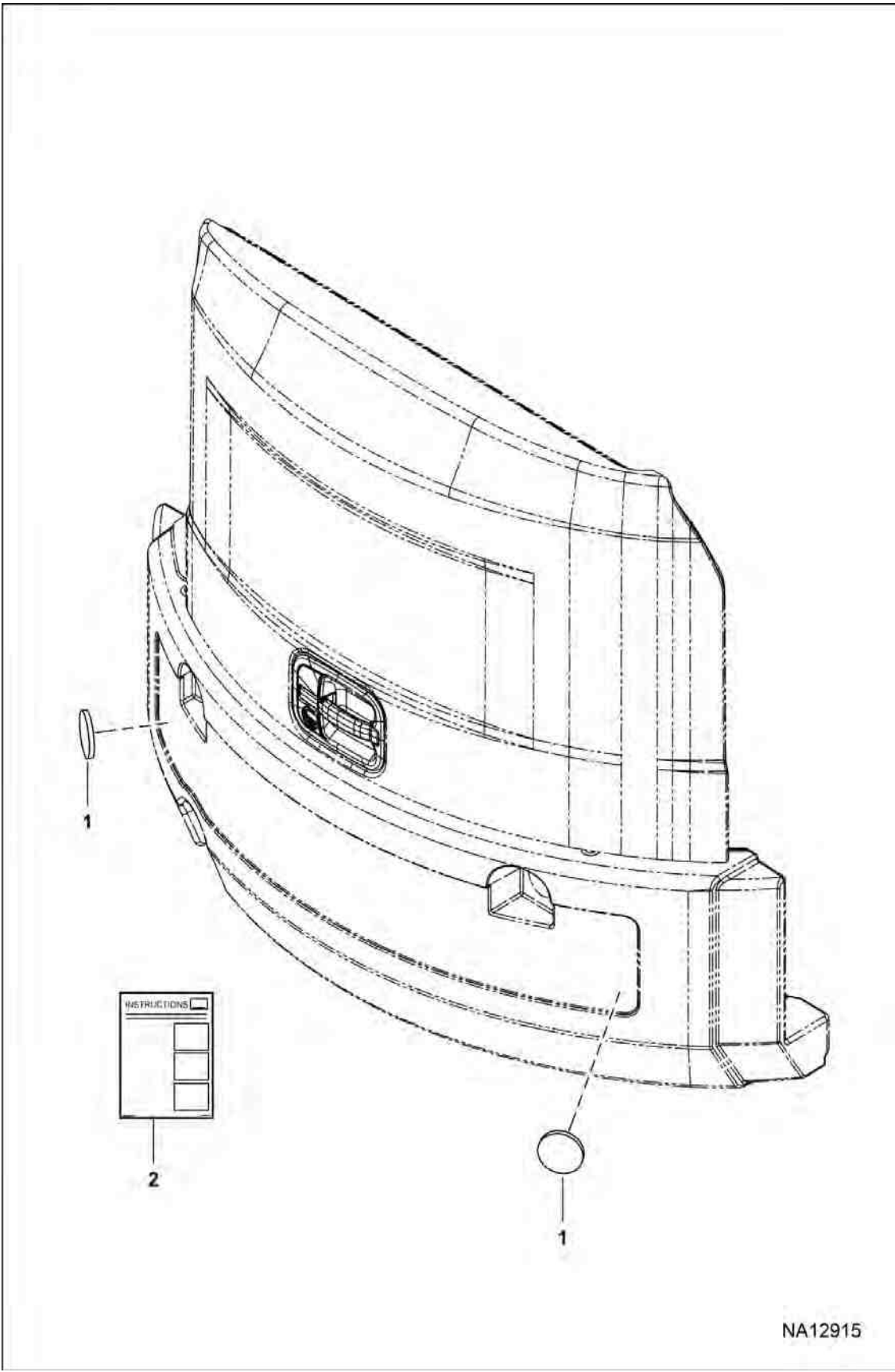


NA2239

RADIO KIT (Cont'd)

Ref No	Part Number	Description	Remarks	Serial Number	Qty
1	6988434	KIT, RADIO	W/O wireless connectivity - Ref. 2-7 & 11-13 - Also Order Ref. 8 if not already equipped - Was 7173285 [A]		1
1	7229098	KIT, RADIO	W/ wireless connectivity - Ref. 2-7 & 11-13 - Also Order Ref. 8 if not already equipped		1
2	6988336	RADIO, BOBCAT HEAVY-DUTY MINI	W/O wireless connectivity - W/Ref. 6 - Was 7159873 [A]		1
2	7025618	RADIO, BT	W/ wireless connectivity - W/Ref. 6		1
3	7163690	SCREW			4
4	7166859	BRACKET, RADIO			1
5	7173341	GROMMET			1
6		SCREW	NSS		x
7	6685744	NUT			4
8	7228595	KIT, ANTENNA AND SPEAKERS	Ref. 9-10		1
9	6676114	ANTENNA, RADIO			1
10	6903211	SPEAKER, 4 INCH			2
11	7145333	BRACKET, RADIO			1
12	7182942	PLUG			1
13	6987357ENUS	INSTRUCTIONS	Was 6987357 [A]		1

REFLECTOR

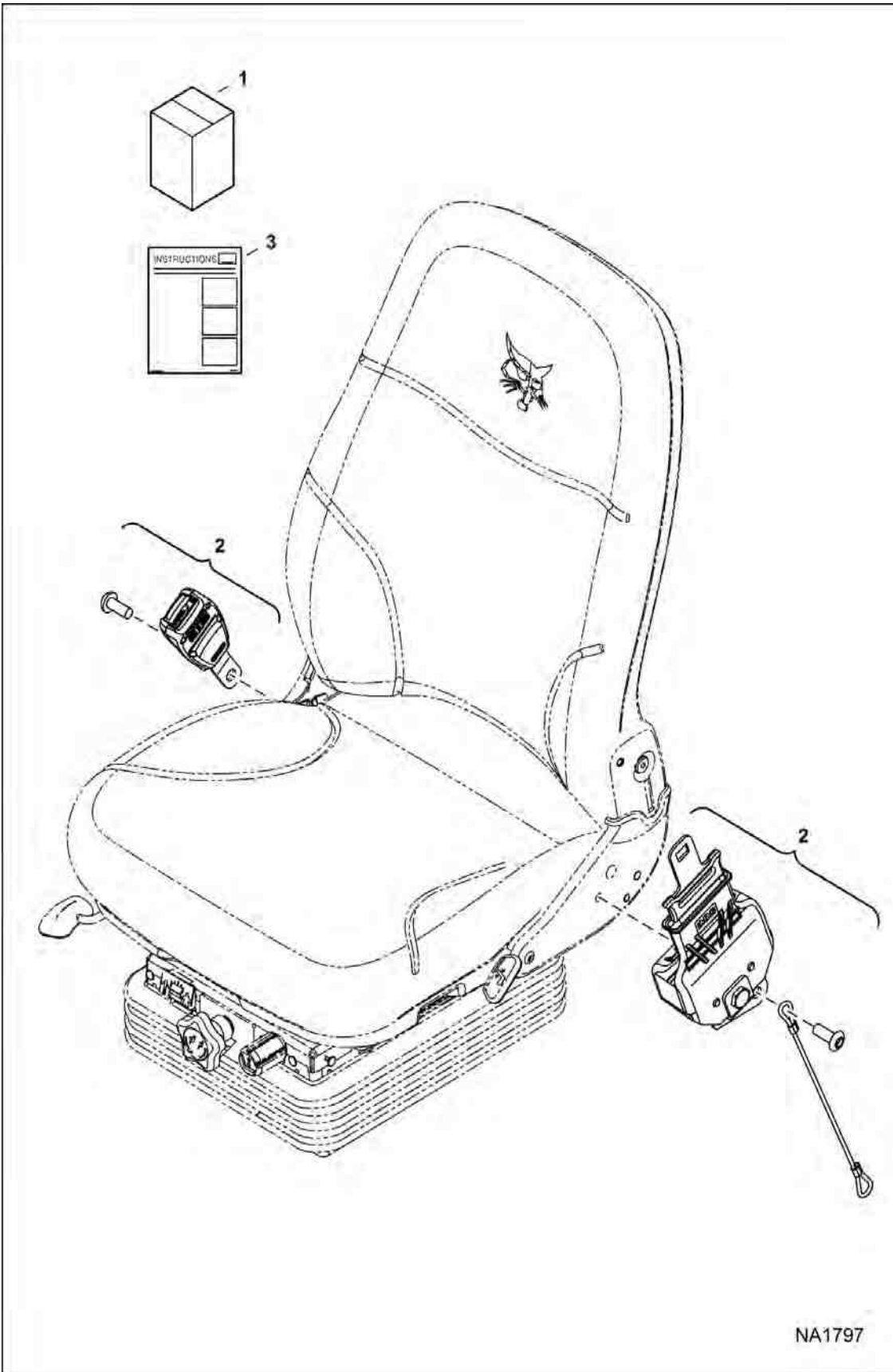


NA12915

REFLECTOR (Cont'd)

Ref No	Part Number	Description	Remarks	Serial Number	Qty
1	7191035	LENS, REFLECTIVE			2
2	7322004ENUS	INSTRUCTIONS			1

SEAT BELT KIT
(3 Inch)(Suspension Seat)

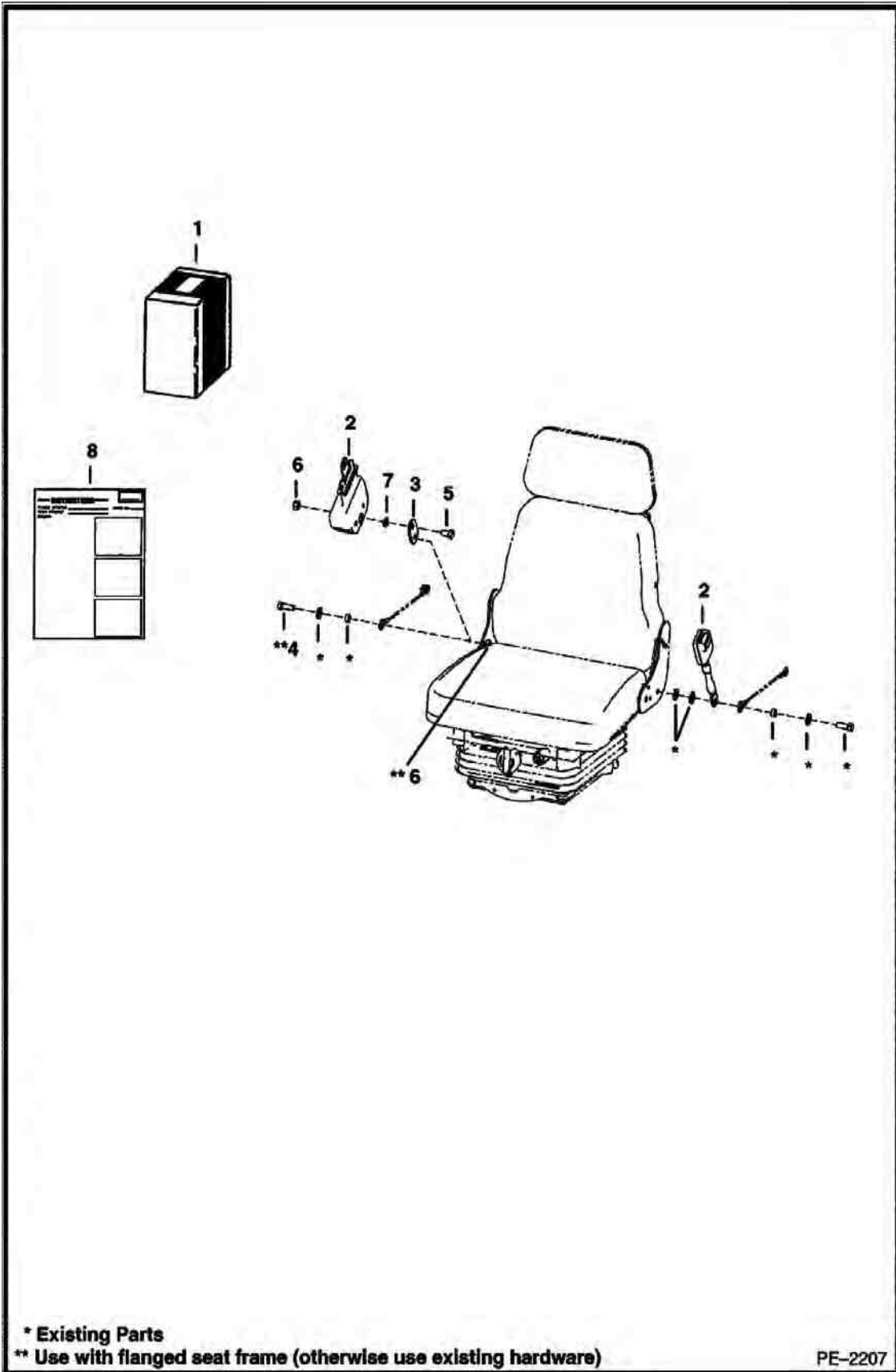


NA1797

SEAT BELT KIT (Cont'd)
 (3 Inch)(Suspension Seat)

Ref No	Part Number	Description	Remarks	Serial Number	Qty
1		KIT, SEAT BELT	NLA - Order components - Was 7181615 [D]		1
2	7010428	BELT, SEAT			1
3	6989413ENUS	INSTRUCTIONS	- Was 6989413 [A]		1

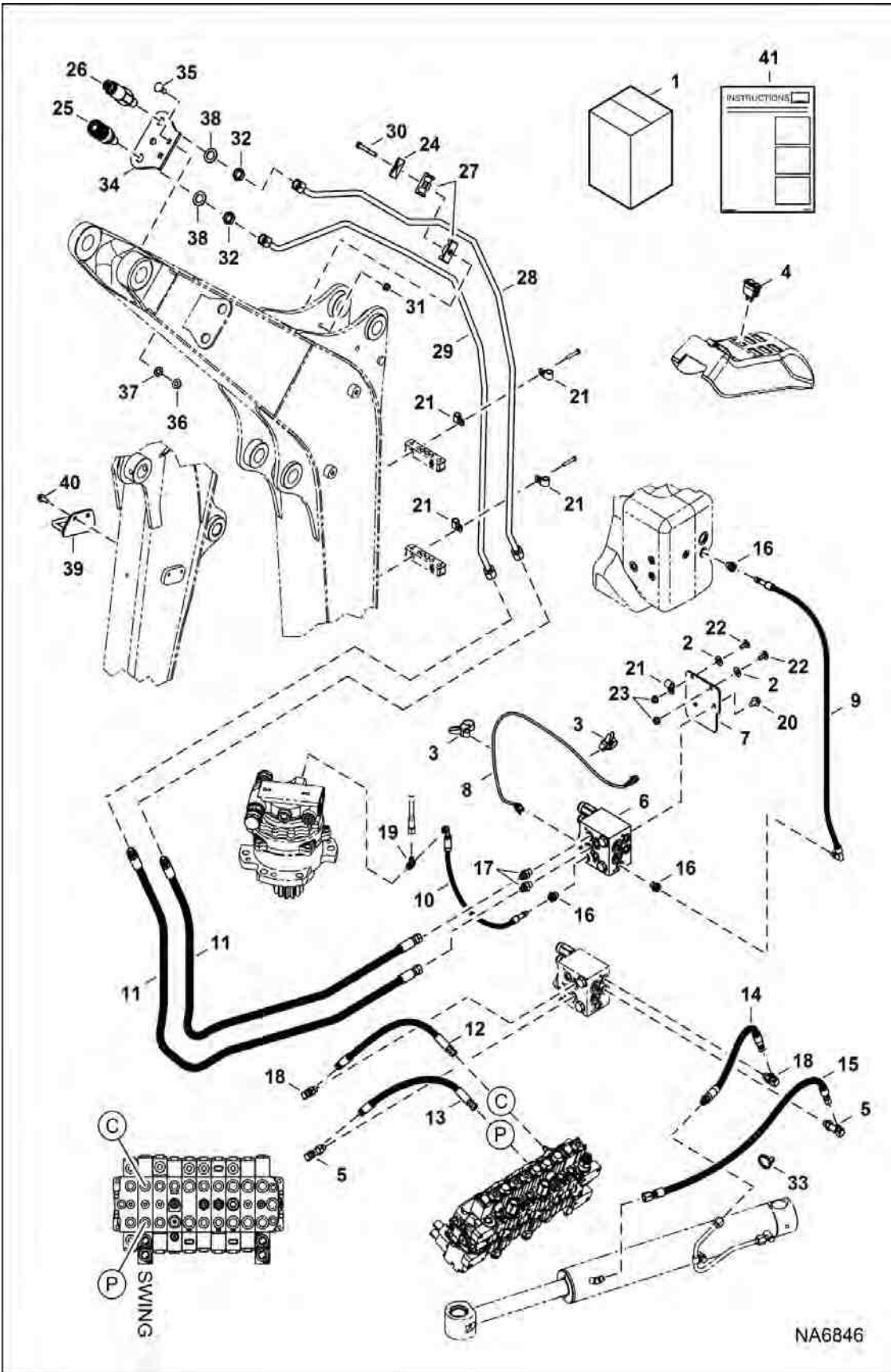
SEAT BELT KIT (3 Inch)(Static Seat)



SEAT BELT KIT (Cont'd)
(3 Inch)(Static Seat)

Ref No	Part Number	Description	Remarks	Serial Number	Qty
1	7102902	KIT, SEAT BELT	Ref. 2-8 - 76,2 mm (3") wide		1
2	7221147	SEAT BELT 3 INCH	76,2 mm (3") wide - Was 6685747 [A]		1
3	7102065	BRACKET			1
4	1CM1250	BOLT			1
5	1CM1220	BOLT			1
6	53DM12	NUT HX THDLK PREAPPL			2
7	1EM120	WASHER			1
8	6902838ENUS	INSTRUCTIONS	- Was 6902838 [A]		1

SECONDARY AUXILIARY KIT (AB8B11001 - AB8B12354)

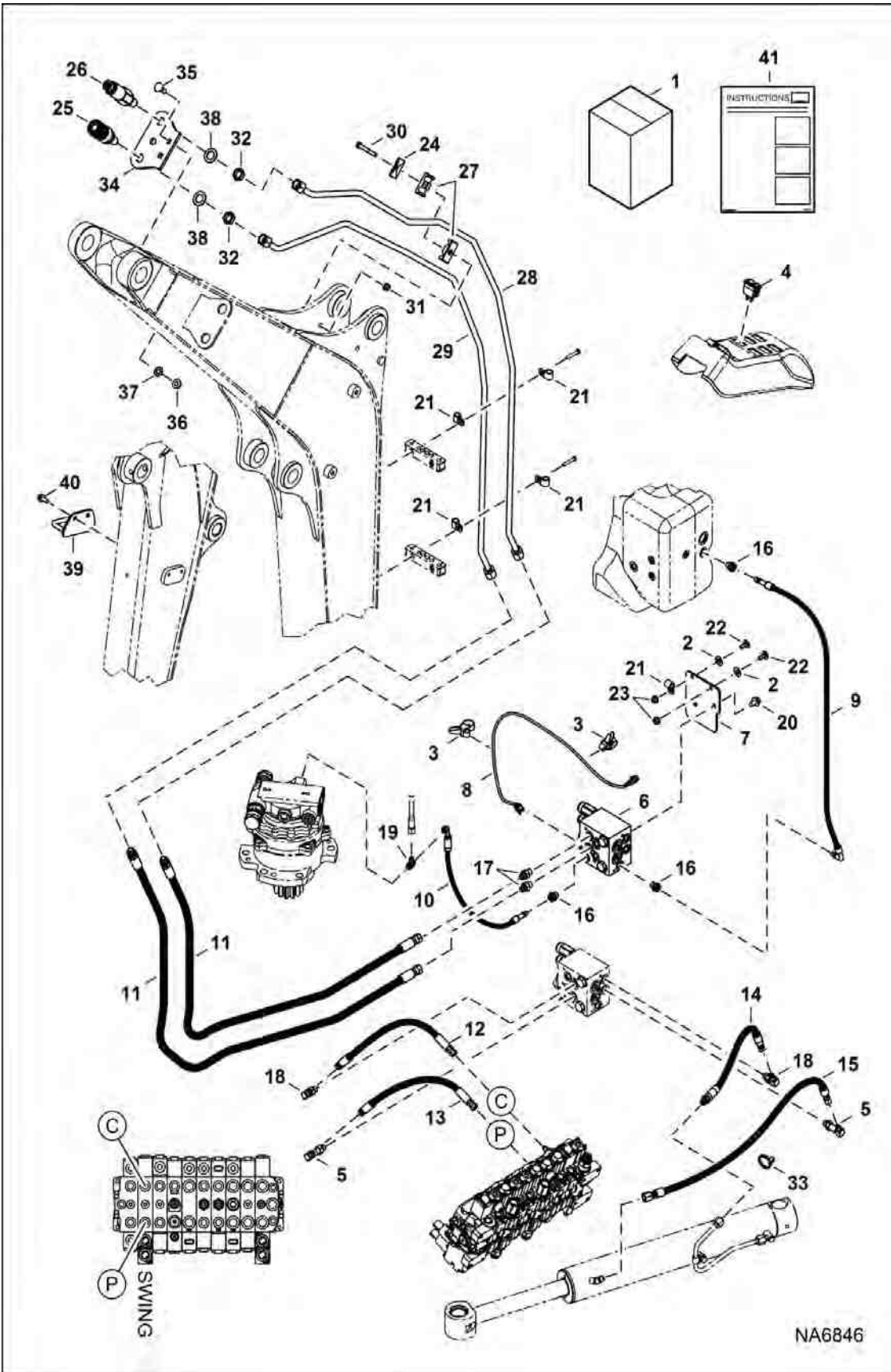


NA6846

SECONDARY AUXILIARY KIT (Cont'd)
(AB8B11001 - AB8B12354)

Ref No	Part Number	Description	Remarks	Serial Number	Qty
1	7228286	KIT, AUX 2ND	Ref. 2-41		1
2	6675859	RETAINER			2
3	6678668	STRAP			2
4	6679906	SWITCH			1
5	6802867	ELBOW 90			2
5	79K6	O RING 10			x
6	7269473	VALVE, 2ND AUX	- Was 7010128 [A]		1
7	7189423	BRACKET			1
8	7193481	HARNESS, AUX SECONDARY			1
9	7200738	HOSE, HYD			1
10	7256307	HOSE, HYD ASSY	Was 7219982 [A]		1
11	7202027	HOSE, HYD			2
12	7204139	HOSE, HYD			1
13	7204140	HOSE, HYD			1
14	7204141	HOSE, HYD			1
15	7204142	HOSE, HYD			1
16	10L0606	FITTING, HYD CONNECTOR			3
16	78K6	O'RING			x
16	7011053	CLIP			x
17	15KB0606	FITTING, HYD CONNECTOR			2
17	79K6	O RING 10			x
18	17KB0406	FITTING, HYD ELBOW			2
18	79K6	O RING 10			x
19	21KB0404	FITTING, HYD TEE			1
19	79K4	O RING 10			x
20	29CM1016	SCREW FLANGE HEX CAP			2
21	30H30	CLIP			5
22	33CM820	BOLT			2
23	43DM8	NUT FLANGED HEX			2
24	6652521	PLATE			1
25	7246792	COUPLER, FF FEMALE	Contact your Local Dealer for Bobcat Technical Information BT1433exc - Was 6676559 [A]		1
26	7246778	COUPLER	Contact your Local Dealer for Bobcat Technical Information BT1433exc - Was 6676560 [A]		1
27	6701892	CLAMP			2
28	7282333	TUBELINE, HYD	Was 7207344 [A]		1
29	7282334	TUBELINE, HYD	Was 7207345 [A]		1
30	1CM855	BOLT			1
31	51DM8	NUT HX THDLK PREAPPL			1
32	86F6	NUT			2
33	6624289	STRAP, TIE			1
34	7281989	MOUNT, COUPLER	Was 7207343 [A]		1

SECONDARY AUXILIARY KIT (Cont'd)
(AB8B11001 - AB8B12354)

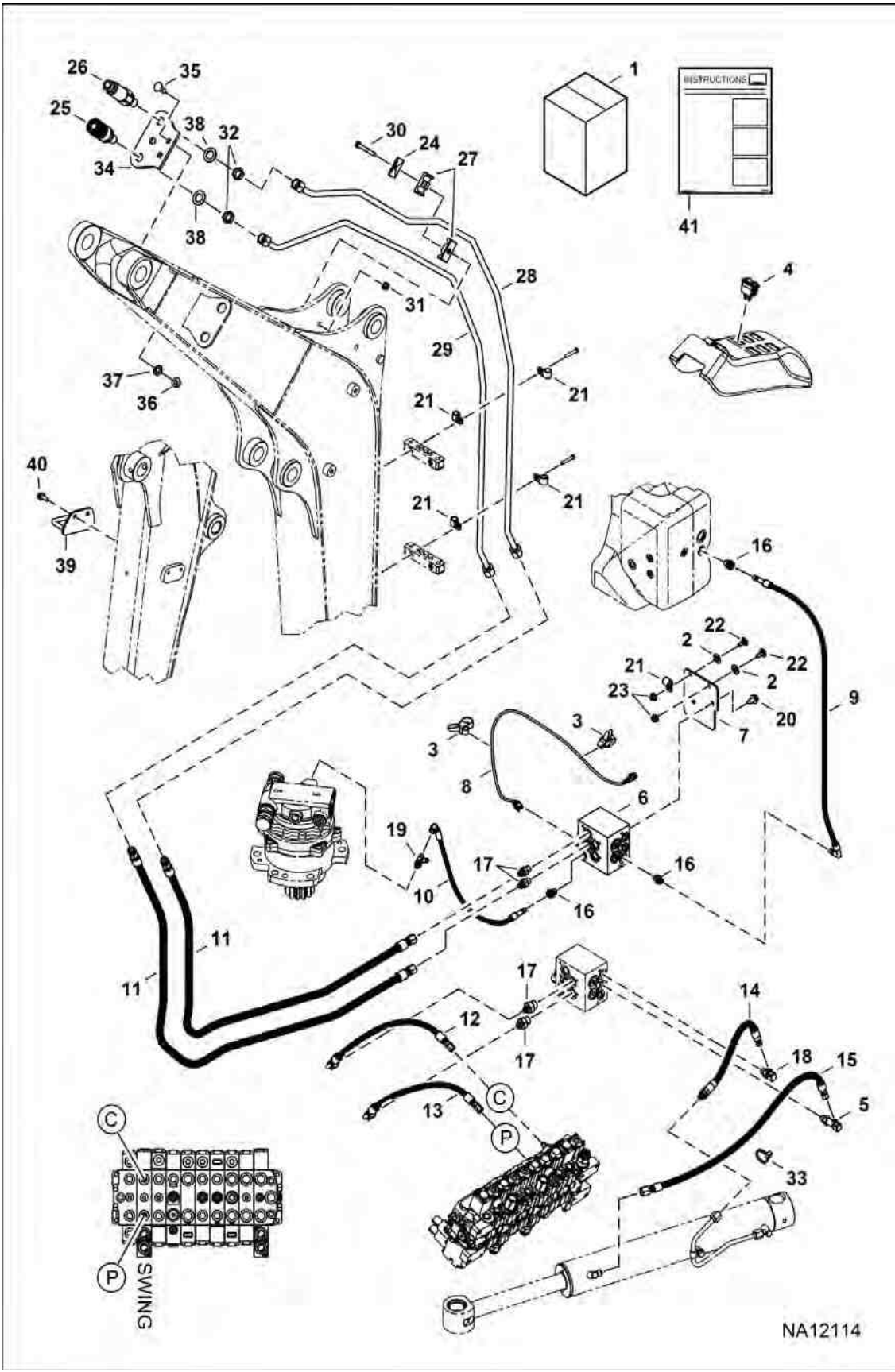


SECONDARY AUXILIARY KIT (Cont'd)

(AB8B11001 - AB8B12354)

Ref No	Part Number	Description	Remarks	Serial Number	Qty
35	28CM1030	BOLT CARRIAGE 8.8			2
36	51DM10	NUT HX THDLK PREAPPL			2
37	6674264	RETAINER NUT			2
38	15EM200	WASHERS			2
39	7242179	PLATE			1
40	29CM820	SCREW FLNGE HEX CAP			2
41	6990183ENUS	INSTRUCTIONS	Was 6990183 [A]		1

SECONDARY AUXILIARY KIT (AB8B12325 & Above)

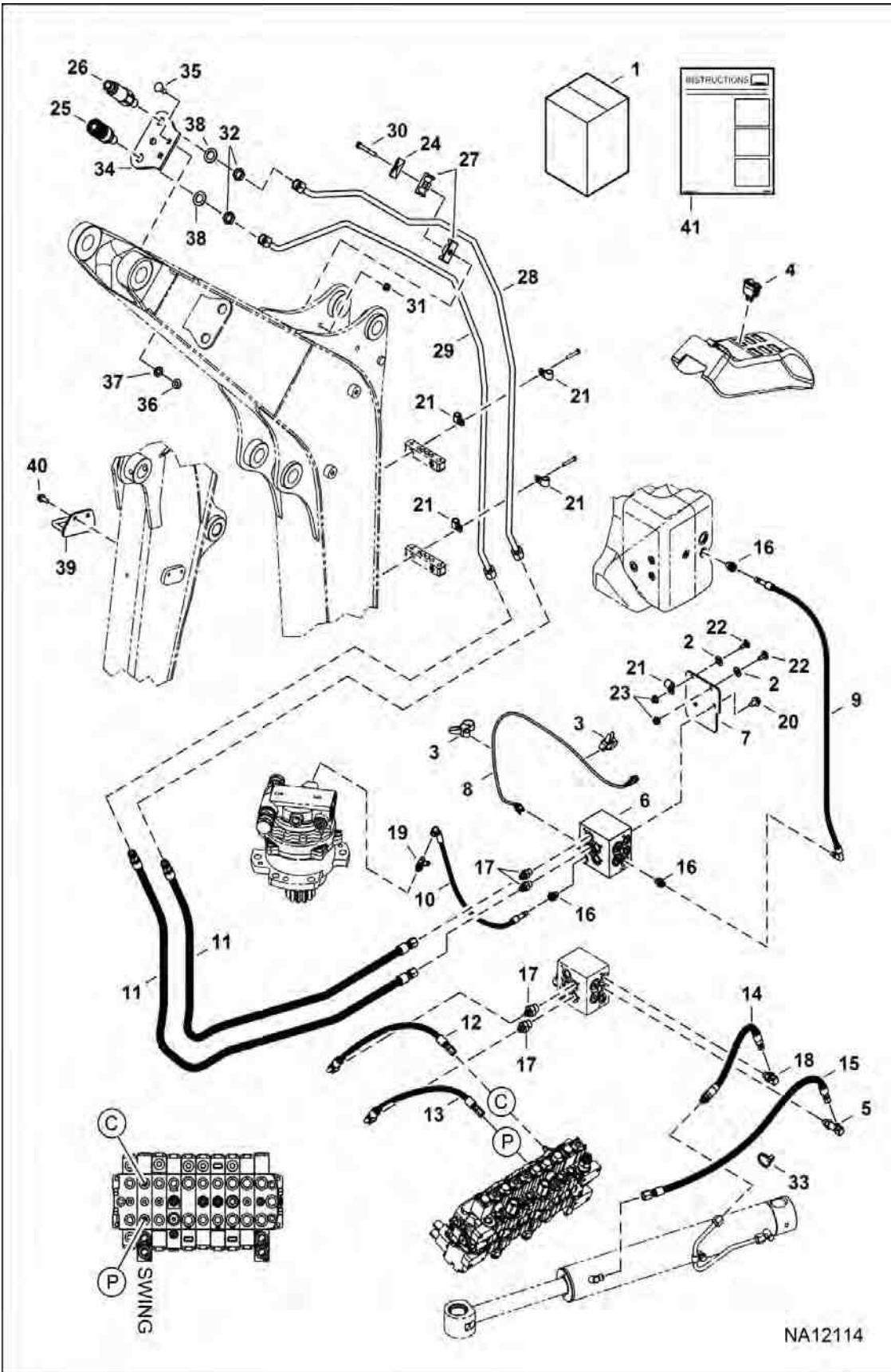


SECONDARY AUXILIARY KIT (Cont'd)
(AB8B12325 & Above)

Ref No	Part Number	Description	Remarks	Serial Number	Qty
1	7297395	KIT, AUX 2ND	Ref. 2-41		1
2	6675859	RETAINER			2
3	6678668	STRAP			2
4	6679906	SWITCH			1
5	6802867	ELBOW 90			1
5	79K6	O RING 10			x
6	7279969	VALVE, 2ND AUX			1
7	7189423	BRACKET			1
8	7193481	HARNESS, AUX SECONDARY			1
9	7268002	HOSE, HYD ASSY			1
10	7256307	HOSE, HYD ASSY	Was 7219982 [A]		1
11	7202027	HOSE, HYD			2
12	7288363	HOSE, HYD ASSY			1
13	7288362	HOSE, HYD ASSY			1
14	7204141	HOSE, HYD			1
15	7204142	HOSE, HYD			1
16	10L0606	FITTING, HYD CONNECTOR			3
16	78K6	O'RING			x
16	7011053	CLIP			x
17	15KB0608	FITTING, HYD CONNECTOR			4
17	79K8	O RING 10			x
18	17KB0406	FITTING, HYD ELBOW			1
18	79K6	O RING 10			x
19	21KB0404	FITTING, HYD TEE			1
19	79K4	O RING 10			x
20	29CM1016	SCREW FLANGE HEX CAP			2
21	30H30	CLIP			5
22	28CM820	BOLT CARRIAGE 8.8			2
23	43DM8	NUT FLANGED HEX			2
24	6652521	PLATE			1
25	7246792	COUPLER, FF FEMALE	Contact your Local Dealer for Bobcat Technical Information BTI433exc - Was 6676559 [A]		1
26	7246778	COUPLER	Contact your Local Dealer for Bobcat Technical Information BTI433exc - Was 6676560 [A]		1
27	6701892	CLAMP			2
28	7282333	TUBELINE, HYD	Was 7207344 [A]		1
29	7282334	TUBELINE, HYD	Was 7207345 [A]		1
30	1CM855	BOLT			1
31	51DM8	NUT HX THDLK PREAPPL			1
32	86F6	NUT			2
33	6624289	STRAP, TIE			1

SECONDARY AUXILIARY KIT (Cont'd)

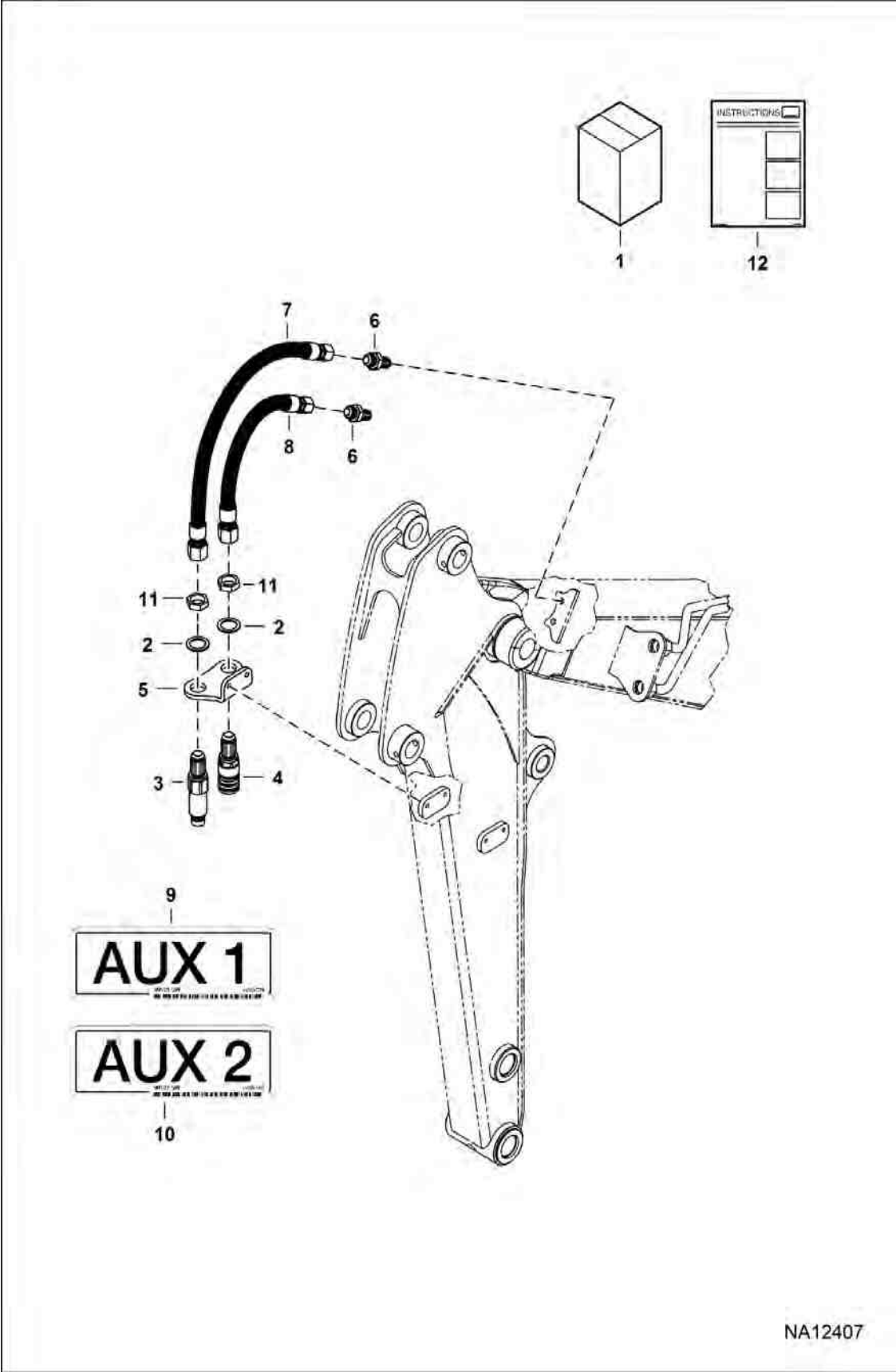
(AB8B12325 & Above)



SECONDARY AUXILIARY KIT (Cont'd)
(AB8B12325 & Above)

Ref No	Part Number	Description	Remarks	Serial Number	Qty
34	7281989	MOUNT, COUPLER	Was 7207343 [A]		1
35	28CM1030	BOLT CARRIAGE 8.8			2
36	51DM10	NUT HX THDLK PREAPPL			2
37	6674264	RETAINER NUT			2
38	15EM200	WASHERS			2
39	7242179	PLATE			1
40	29CM820	SCREW FLNGE HEX CAP			2
41	6990183ENUS	INSTRUCTIONS	Was 6990183 [A]		1

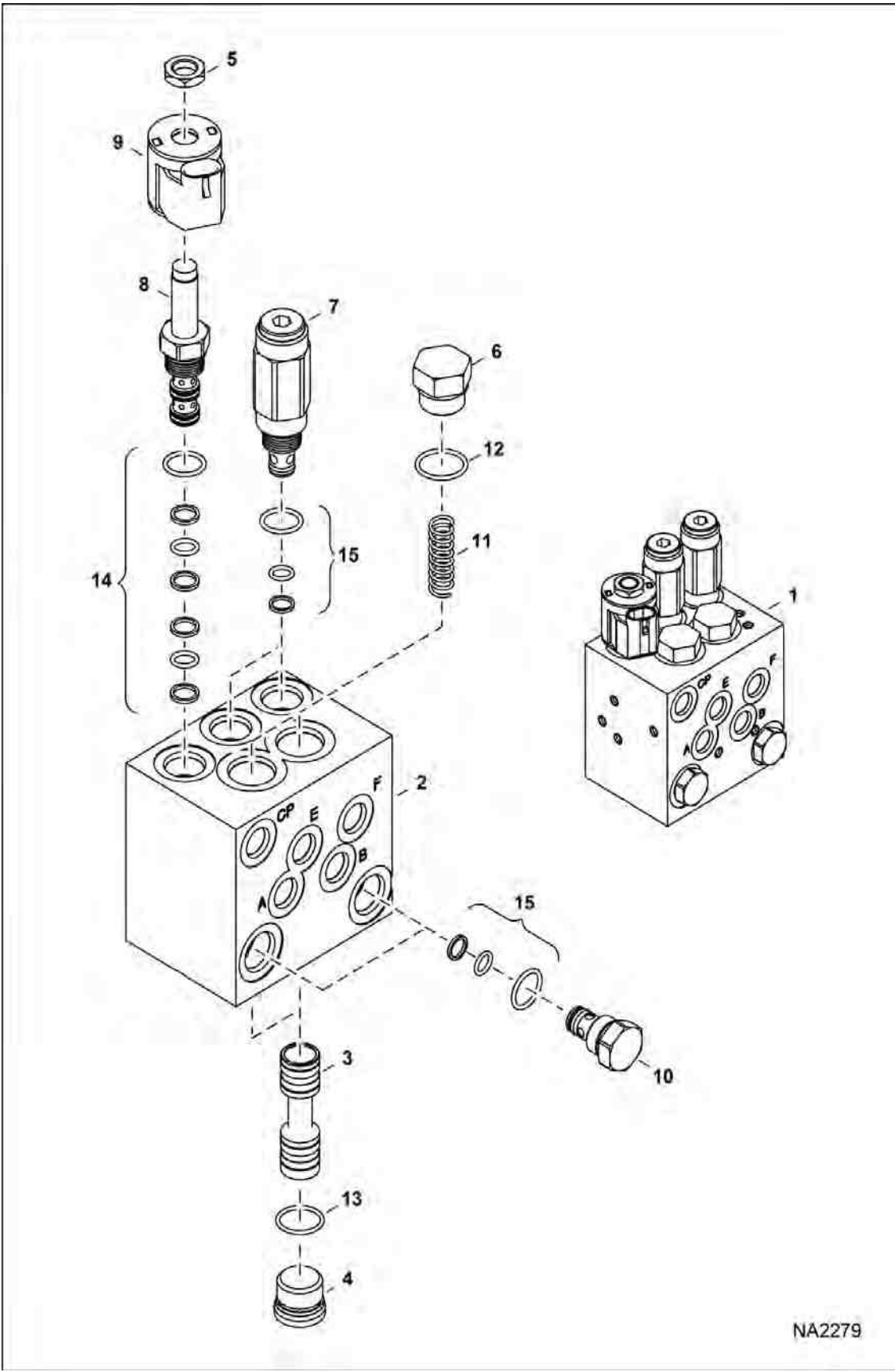
SECONDARY AUXILIARY EXTENSION KIT



SECONDARY AUXILIARY EXTENSION KIT (Cont'd)

Ref No	Part Number	Description	Remarks	Serial Number	Qty
1	7303219	KIT 2ND AUX SA	Ref. 2-10		1
1	7303220	KIT 2ND AUX LA	Ref. 2-10		1
2	6589699	WASHER			2
3	7246779	COUPLER, FF MALE			1
4	7246793	COUPLER, FF FEMALE			1
5	7279030	PLATE, AUXILIARY			1
6	7281986	FITTING, HYD STR BLKHD			2
7	7282159	HOSE, HYD ASSY	long arm		1
7	7281993	HOSE, HYD ASSY	std. arm		1
8	7282163	HOSE, HYD ASSY	long arm		1
8	7281994	HOSE, HYD ASSY	std. arm		1
9	7295739	DECAL, AUX 1ST			1
10	7295740	DECAL, AUX 2ND			1
11	86F8	NUT 5			2
12	7304861	INSTRUCTIONS			1

SECONDARY AUXILIARY MANIFOLD (JEM TECH)

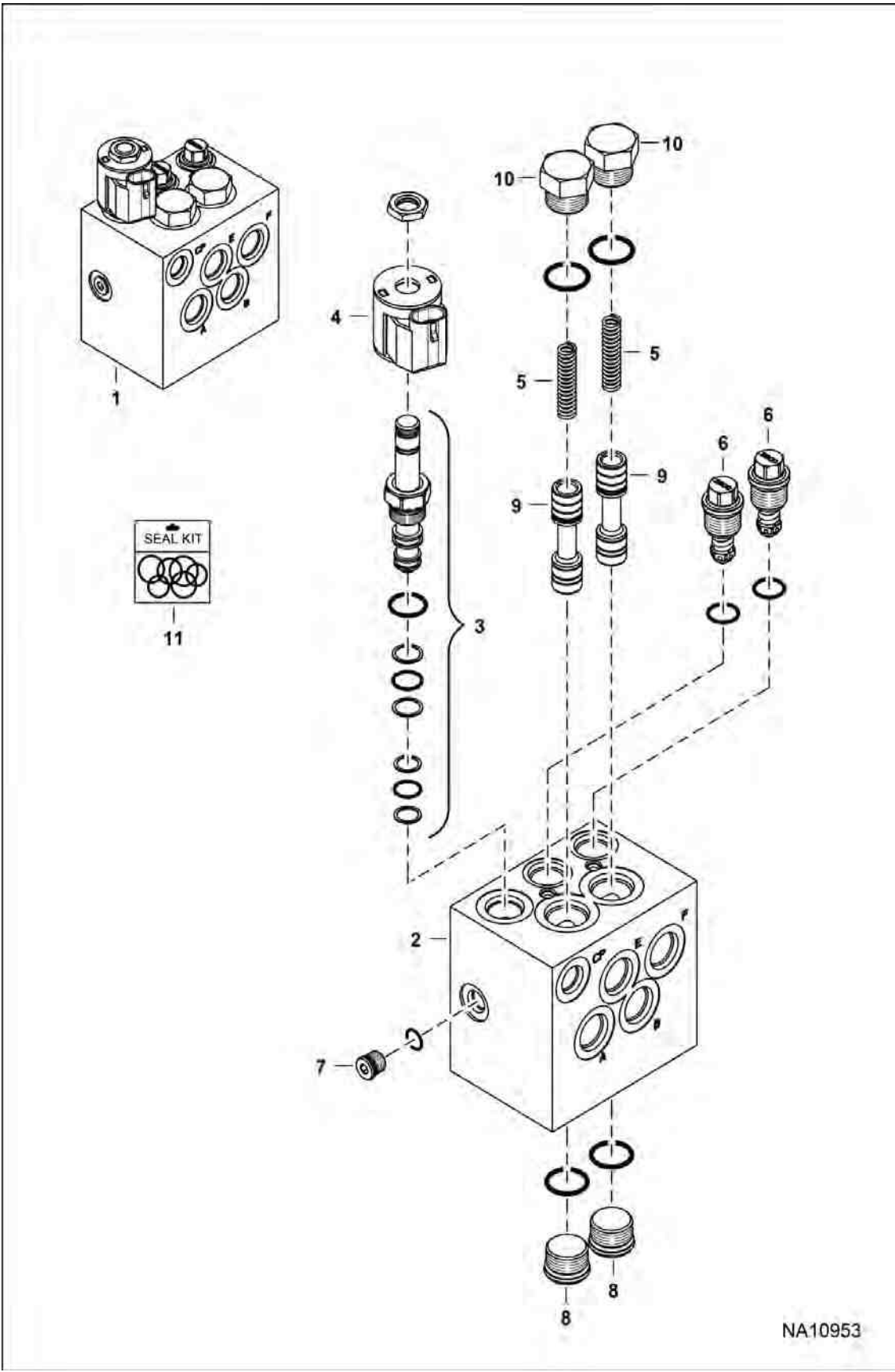


NA2279

SECONDARY AUXILIARY MANIFOLD (Cont'd)
(JEM TECH)

Ref No	Part Number	Description	Remarks	Serial Number	Qty
1	7269473	VALVE, 2ND AUX	- Ref. 2-15 - Was 7010128 [A]		1
2		BLOCK, MANIFOLD	NSS		1
3	7010297	SPOOL, VALVE			2
4	6678563	PLUG	W/Ref. 13		2
5		NUT	NSS - Order Ref. 8		1
6	7008556	PLUG			2
7	6680956	VALVE			2
8	6680957	VALVE			1
9	6680958	COIL	Was 6689082 [A]		1
10	6664026	VALVE, CHECK			2
11	7010296	SPRING, COMPRESSION			2
12	79K10	O RING 10			2
13		O-RING	NSS - Order Ref. 4		2
14	6673188	SEAL KIT	Was 6669736 [A]		1
15	6672515	KIT, SEAL			1

SECONDARY AUX MANIFOLD (BOBCAT)

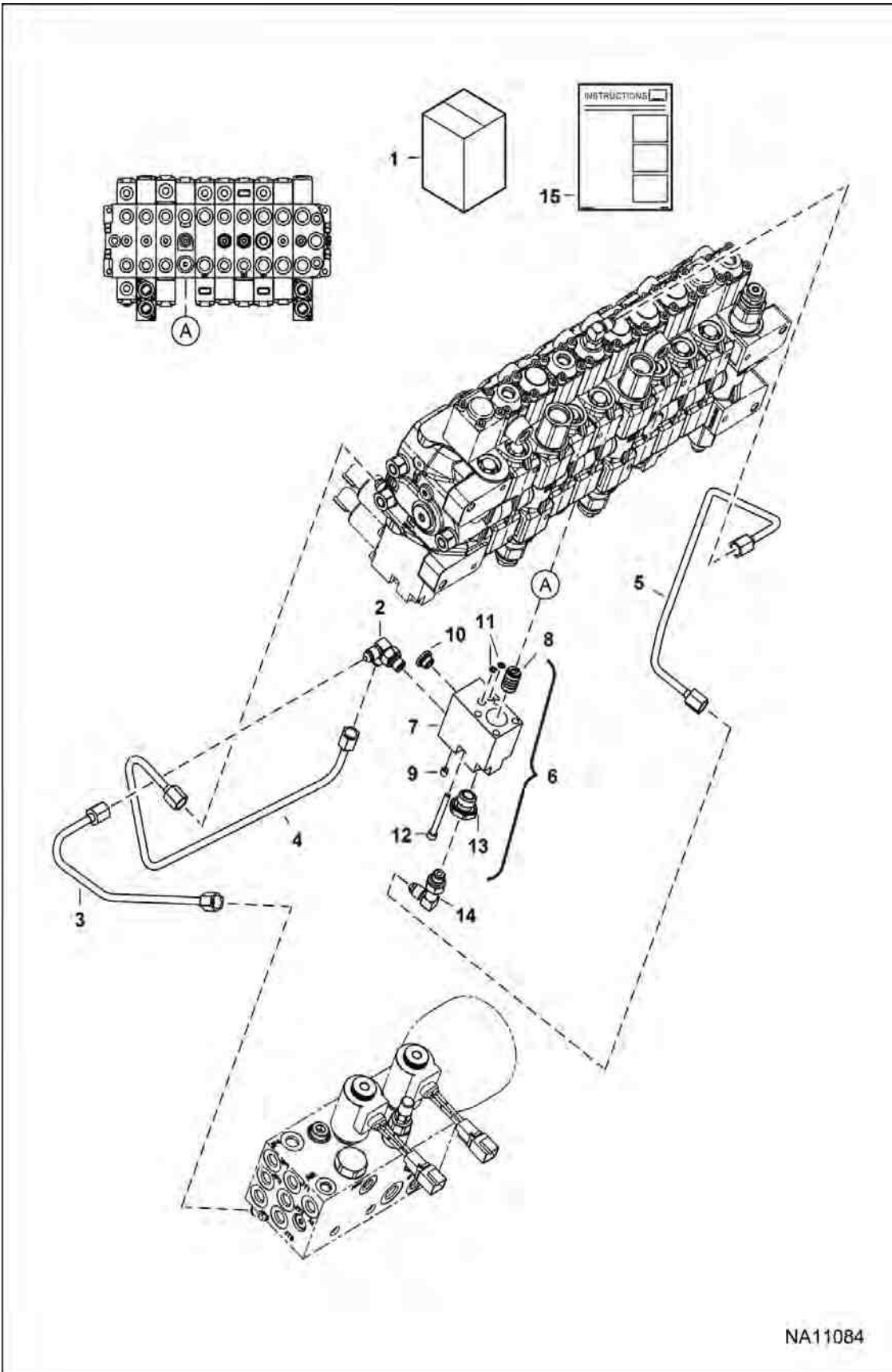


NA10953

SECONDARY AUX MANIFOLD (Cont'd)
(BOBCAT)

Ref No	Part Number	Description	Remarks	Serial Number	Qty
1	7279969	VALVE, 2ND AUX	Ref. 2-10		1
2		MANIFOLD	NSS - Order Ref. 1		1
3	6680957	VALVE			1
3	79K12	O RING 10			X
4	6688356	COIL			1
5	7232334	SPRING, COMPRESSION			2
6	7232997	VALVE, RELIEF	2600 PSI		2
6	79K8	O RING 10			X
7	7235664	PLUG			1
7	79K4	O RING 10			X
8	7235667	PLUG, SOCKET			2
8	79K10	O RING 10			X
9		SPOOL, AUX	NLA - Was 7245842		2
10	7267121	PLUG			2
10	79K10	O RING 10			X
11	6673188	SEAL KIT	Use W/Ref. 3		1

SECONDARY AUX PRESSURE RELIEF KIT

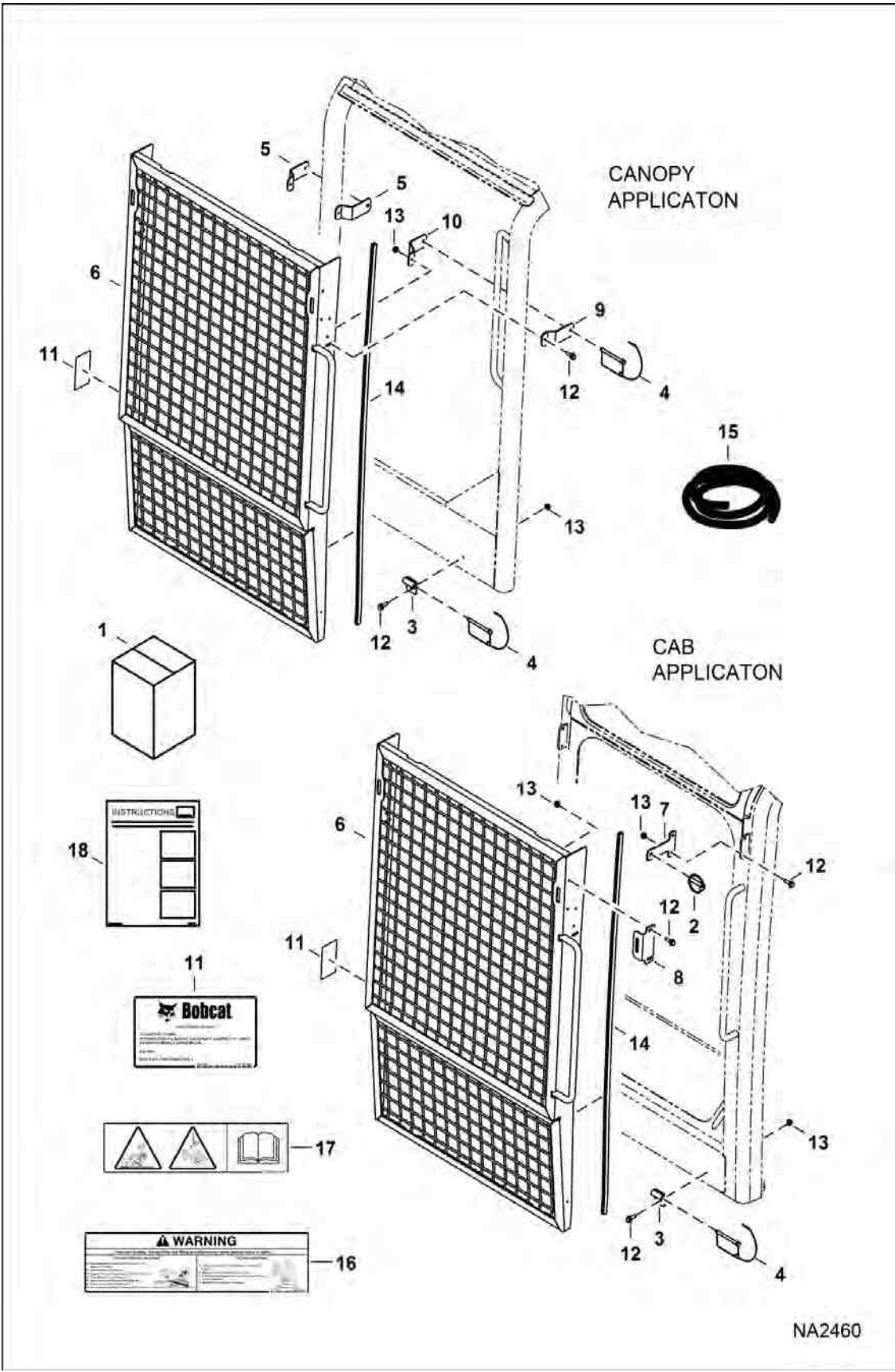


NA11084

SECONDARY AUX PRESSURE RELIEF KIT (Cont'd)

Ref No	Part Number	Description	Remarks	Serial Number	Qty
1	7282120	KIT, 2ND AUX PRESSURE RELEASE	Ref. 2-6 & 15		1
2	7166606	TEE			1
3	7257739	TUBELINE, HYD ASSY			1
4	7257740	TUBELINE, HYD ASSY			1
5	7257741	TUBELINE, HYD ASSY			1
6	7282514	KIT, MCV PRESSURE RELEASE	Ref. 7-13		1
7		BLOCK	NSS		1
8		ORIFICE	NSS - Order Ref. 6 - Was 7286476 [A]		1
9		ORIFICE	NSS - Order Ref. 6 - Was 7286477 [A]		1
10	6686236	PLUG			1
11	7259722	O-RING			2
12	6682248	SCREW			4
13		PLUG	NSS - Order Ref. 6 - Was 7286478 [A]		1
14	18KB0404	FITTING, HYD ELBOW	not in kit		1
15	7303615ENUS	INSTRUCTIONS			1

SPECIAL APPLICATION KIT (Cab and Canopy)

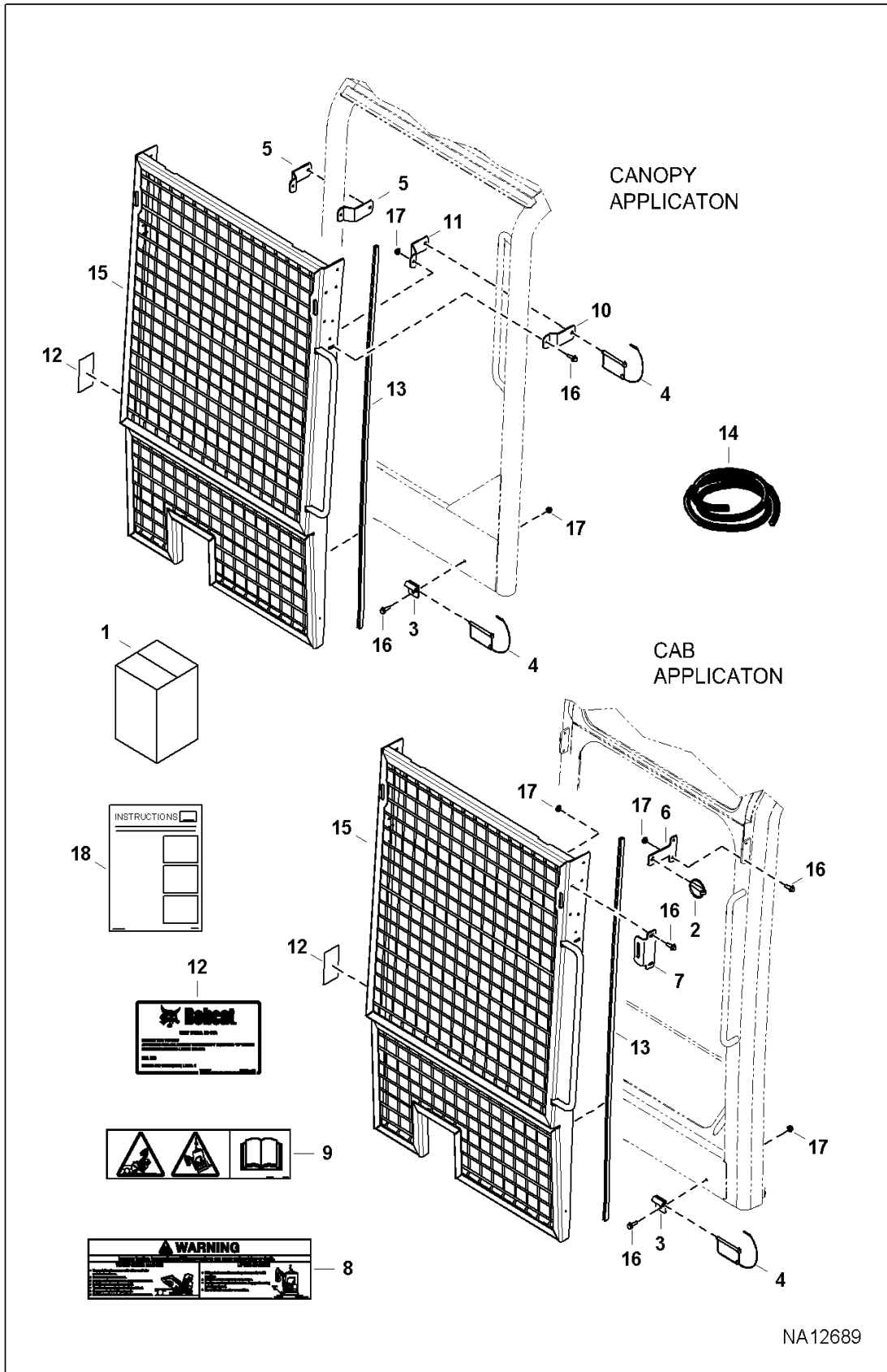


NA2460

SPECIAL APPLICATION KIT (Cont'd)
(Cab and Canopy)

Ref No	Part Number	Description	Remarks	Serial Number	Qty
1	7174035	KIT, APPS SPECIAL	Ref. 2-18		1
2	6668928	PIN, LOCK			2
3	6808924	HINGE			2
4	6808926	PIN			4
5	6818017	BRACKET			2
6	7174036	GUARD, CAB			1
7	7174037	PLATE			2
8	7174038	BRACKET			2
9	7181010	BRACKET			1
10	7181011	BRACKET			1
11	7181121	DECAL, APPS SPECIAL			1
12	29CM620	SCREW FLGD HEX CAP			12
13	51DM6	NUT HX THDLK PREAPPL			12
14		TRIM	NLA - 1270 mm (50") long - Order Ref. 15		2
15	6682492	EDGE TRIM BULK/FT	bulk - sold per foot		x
16	7178178	DECAL, WARNING			1
17	7178215	DECAL, WARNING			1
18	6989510ENUS	INSTRUCTIONS	Was 6989510 [A]		1

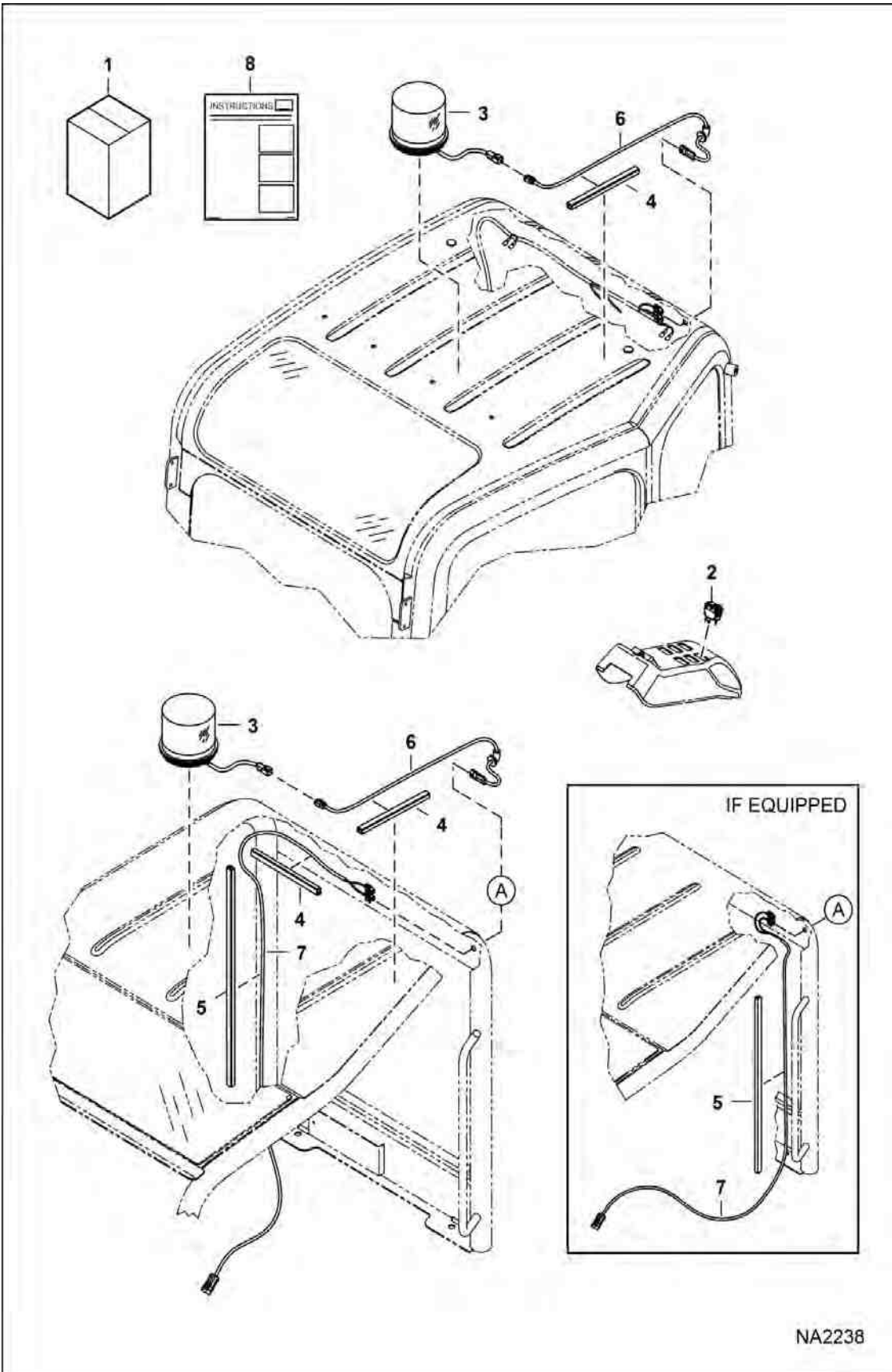
SPECIAL APPLICATION KIT (Cab and Canopy)



SPECIAL APPLICATION KIT (Cont'd)
(Cab and Canopy)

Ref No	Part Number	Description	Remarks	Serial Number	Qty
1	7311904	KIT CAB APPLICATIONS SPECIAL	Ref. 2-18		1
2	6668928	PIN, LOCK			2
3	6808924	HINGE			2
4	6808926	PIN			4
5	6818017	BRACKET			2
6	7174037	PLATE			2
7	7174038	BRACKET			2
8	7178178	DECAL, WARNING			1
9	7178215	DECAL, WARNING			1
10	7181010	BRACKET			1
11	7181011	BRACKET			1
12	7181121	DECAL, APPS SPECIAL			1
13		TRIM EDGE	NLA - 1270 mm (50.0") long - Order Ref. 14		2
14	6682492	EDGE TRIM BULK/FT			x
15	7311905	GUARD CAB			1
16	29CM620	SCREW FLGD HEX CAP			12
17	51DM6	NUT HX THDLK PREAPPL			12
18	7312495ENUS	INSTRUCTIONS			1

STROBE KIT

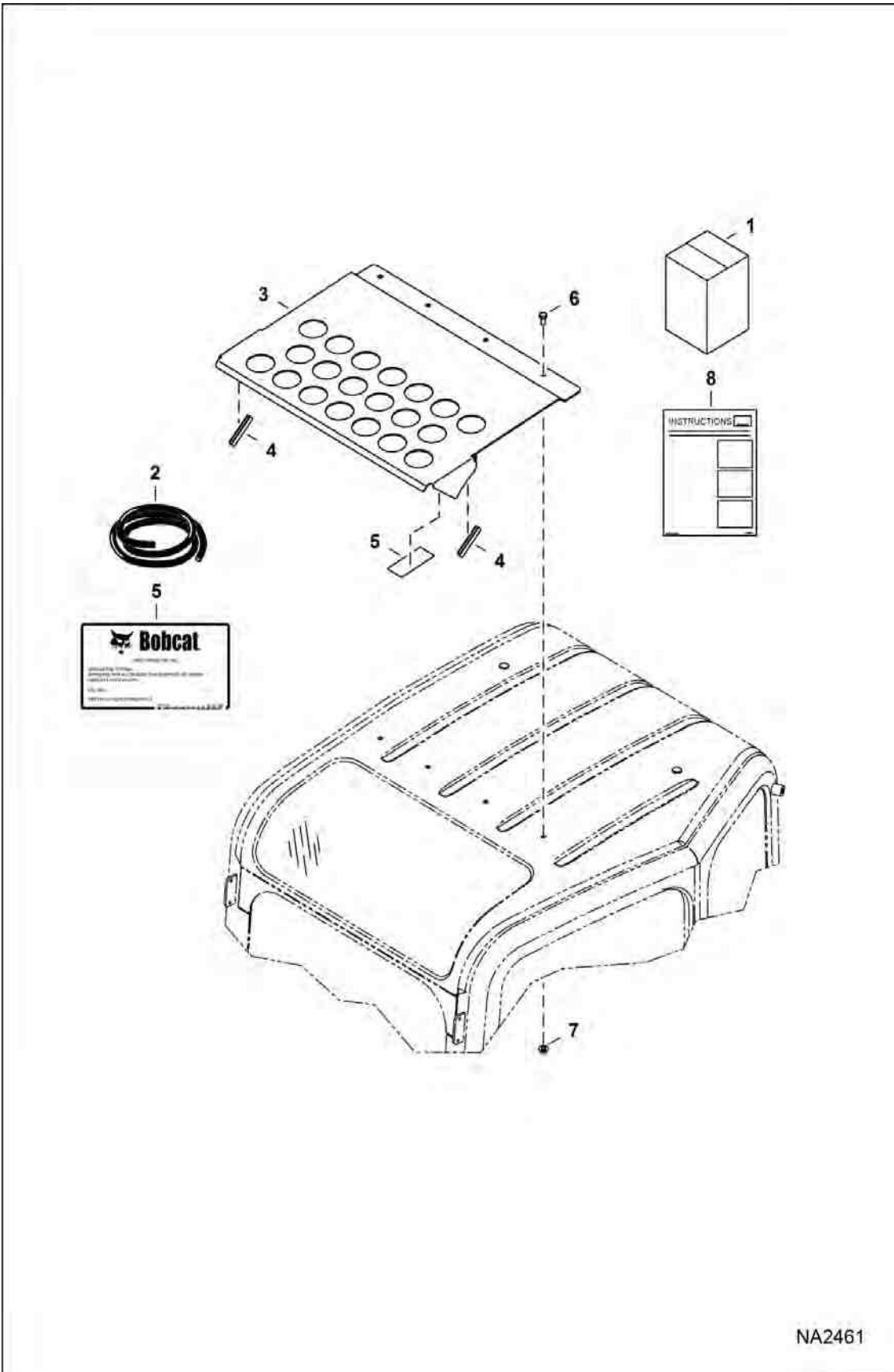


NA2238

STROBE KIT (Cont'd)

Ref No	Part Number	Description	Remarks	Serial Number	Qty
1	7172974	KIT, STROBE LIGHT	Ref. 2-8		1
2	6665317	SWITCH			1
3	7241140	LIGHT, STROBE	4200 Series Light - Was 7219903 [A]		1
3	6697796	FLASHTUBE	3-pin rectangular base bulb - Use W/NLA 6675522 strobe light		1
3	7025589	FLASHTUBE	Use W/ 7219903 strobe light		1
3	7256347	LENS, REFLECTIVE	Was 6697797 [A]		1
4	6682740	RETAINER			2
5	6682741	RETAINER			1
6	7172972	HARNESS, BEACON/STROBE			1
7	7172977	HARNESS, CANOPY			1
8	6987322ENUS	INSTRUCTIONS	Was 6987322 [A]		1

TOP GUARD KIT (Cab)

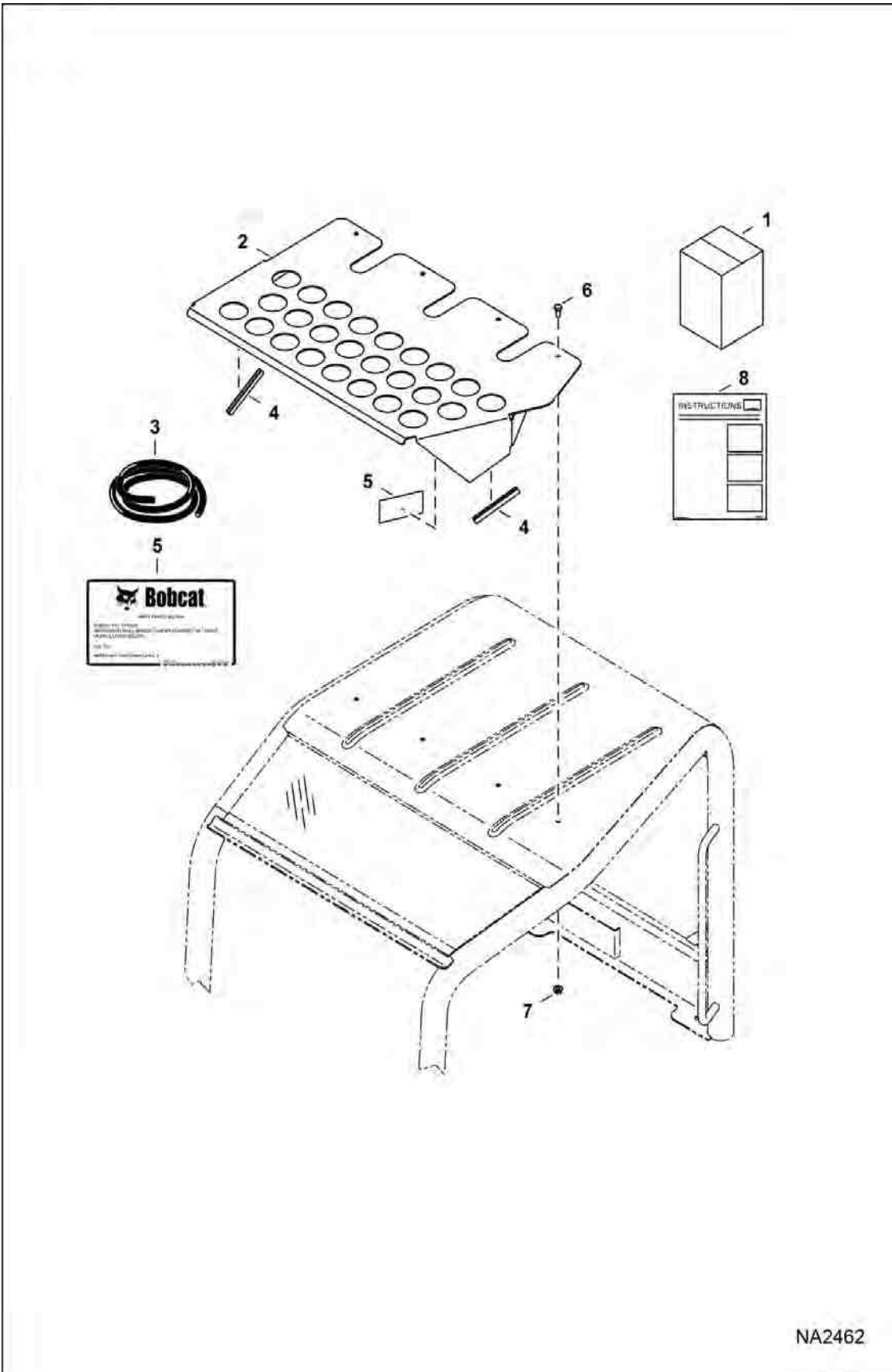


NA2461

TOP GUARD KIT (Cont'd)
(Cab)

Ref No	Part Number	Description	Remarks	Serial Number	Qty
1	7173584	KIT, GUARD CAB	Ref. 2-8		1
2	6682492	EDGE TRIM BULK/FT	bulk - sold per foot		x
3	7173484	GUARD, CAB			1
4		TRIM	NLA - 127 mm (5") long - Order Ref. 2		2
5	7181128	DECAL, GUARD TOP			1
6	1CM1012	SCREW			4
7	51DM10	NUT HX THDLK PREAPPL			4
8	6987408ENUS	INSTRUCTIONS	Was 6987408 [A]		1

TOP GUARD KIT (Canopy)

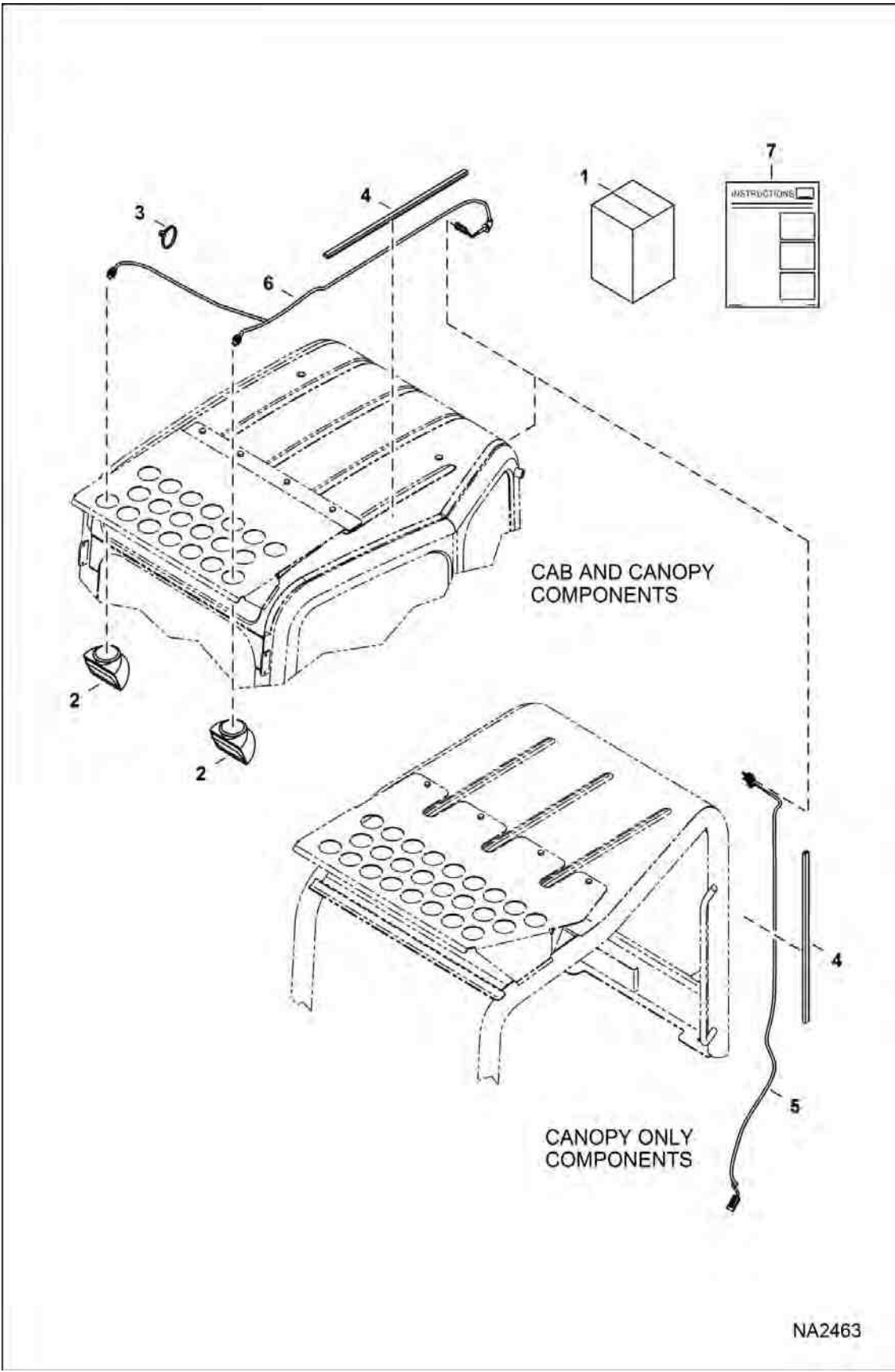


NA2462

TOP GUARD KIT (Cont'd)
(Canopy)

Ref No	Part Number	Description	Remarks	Serial Number	Qty
1	7173308	KIT, GUARD CANOPY	Ref. 2-8		1
2	7173483	GUARD, CANOPY			1
3	6682492	EDGE TRIM BULK/FT	bulk - sold per foot		x
4		TRIM	NLA - 127 mm (5") long - Order Ref. 3		1
5	7181127	DECAL, GUARD TOP			1
6	1CM1020	SCREW HEX CAP			4
7	51DM10	NUT HX THDLK PREAPPL			4
8	6987408ENUS	INSTRUCTIONS	Was 6987408 [A]		1

TOP GUARD LIGHT KIT

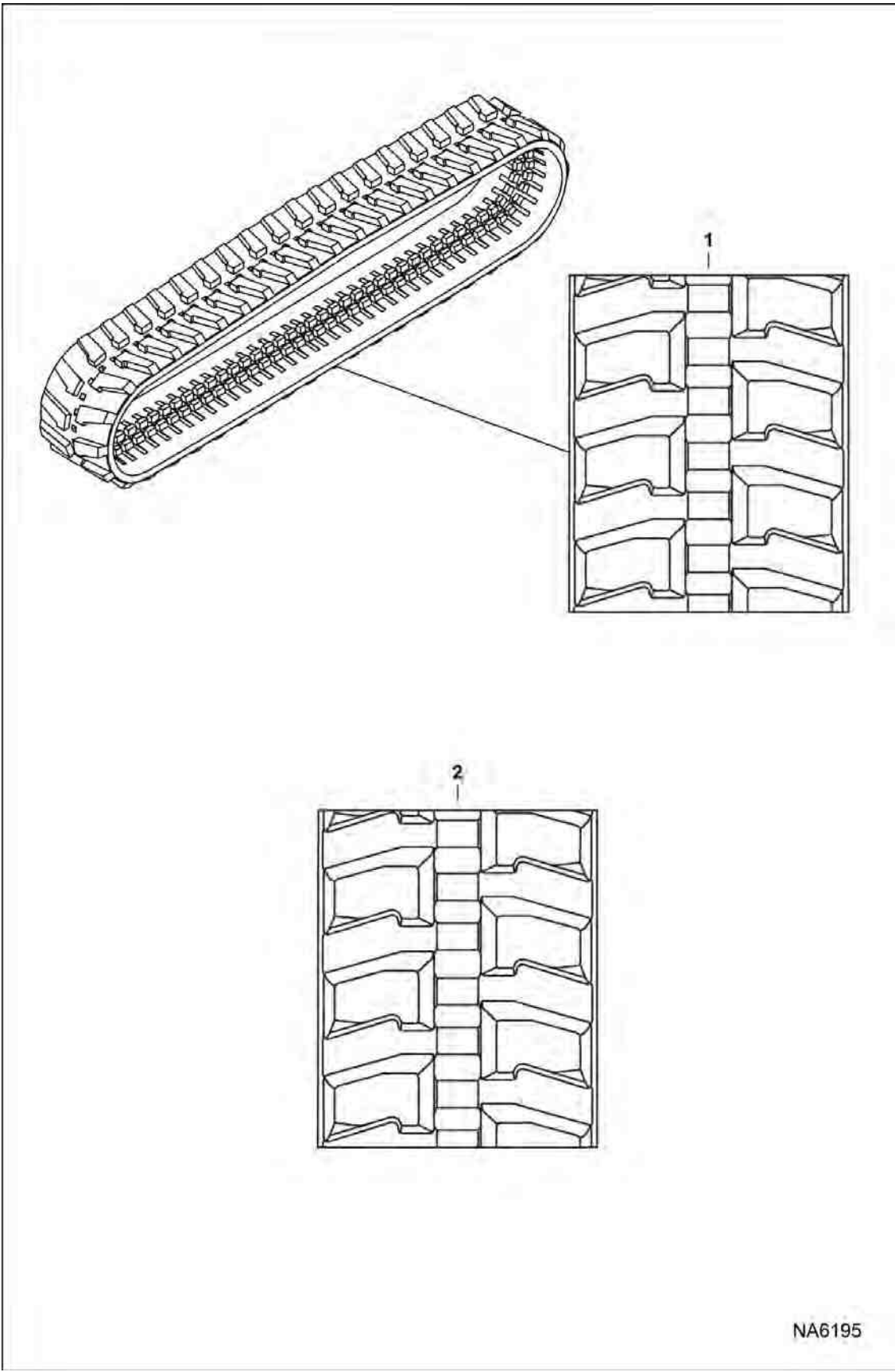


NA2463

TOP GUARD LIGHT KIT (Cont'd)

Ref No	Part Number	Description	Remarks	Serial Number	Qty
1	7173478	KIT, GUARD LIGHT	NLA - Ref. 2-7 - Order 7241225 - Was 7173478 [A]		1
2	6577801	LIGHT, FRONT ASSY			2
2	6649478	HOUSING, LIGHT ASSY			2
2	6578824	HOUSING			2
2	6667934	LIGHT, BULB	- worklight		2
2	6578528	HARNESS			2
3	6624289	STRAP, TIE			4
4	6682741	RETAINER			2
5	7172977	HARNESS, CANOPY			1
6	7173482	HARNESS, LIGHTS	NLA - Was 7173482 [A]		1
7	6987497ENUS	INSTRUCTIONS	Was 6987497 [A]		1

TRACKS (Rubber)

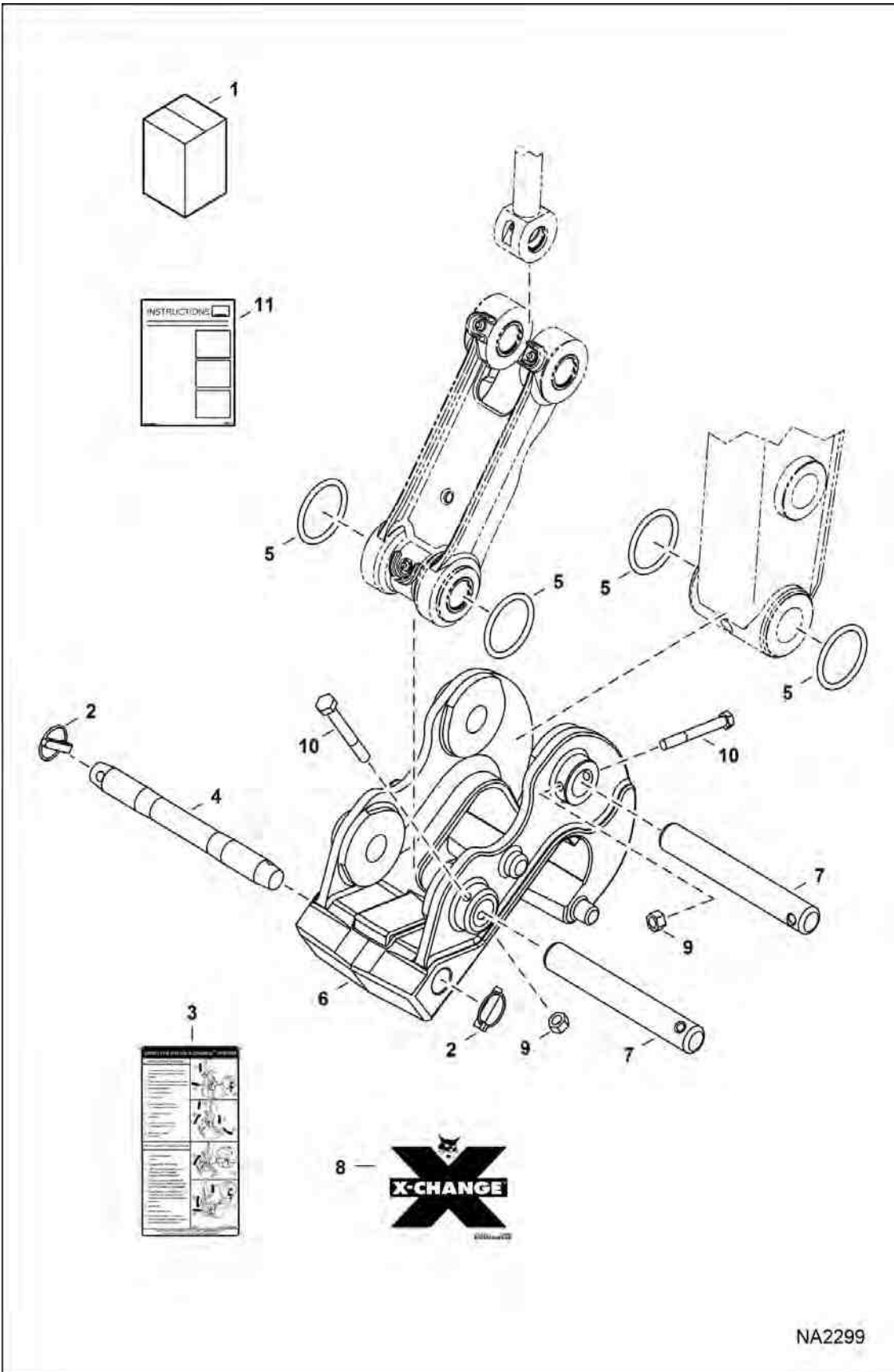


NA6195

TRACKS (Cont'd)
(Rubber)

Ref No	Part Number	Description	Remarks	Serial Number	Qty
1	7165834	TRACK, RUBBER	factory option		2
1	7243364	TRACK, RUBBER	factory option		2
2	6988831EF	TRACK RBR (300X80X52.5) 12"	Was 6988831 [A]		2
2	7298190	TRACK, RUBBER	Was 7153296		2

X-CHANGE (Pin-On) (Kit)



NA2299

X-CHANGE (Cont'd)

(Pin-On)

(Kit)

Ref No	Part Number	Description	Remarks	Serial Number	Qty
1		KIT, X-CHANGE PIN-ON	SALES - Ref. 2-11 - SALES # 7220386		1
2	6560382	PIN, LOCK			2
3	6818059	DECAL			1
4	7137214	PIN			1
5	7159425	O-RING			4
6	7150798	X-CHANGE, PIN- ON			1
7	7181216	PIN, PIVOT X- CHANGE	249,5 mm (9.82") long - Was 7151836 [A]		2
8	7160880	DECAL, X- CHANGE			2
9	16DM10	NUT	- Was 4DM10 [B]		2
10	1CM1070	BOLT	- Was 7CM1075 [B]		2
11	6987433ENUS	INSTRUCTIONS	Was 6987433 [A]		1

NUMERICAL INDEX

Part Number	Description	Was	Code	Page
10H25	FITTING, GREASE 5			23, 95, 97, 99, 121, 227, 229, 231, 233, 235, 389
10L0604	FITTING, HYD CONNECTOR			121, 139, 143, 147
10L0606	FITTING, HYD CONNECTOR			121, 125, 139, 143, 383, 415, 419
10L0610	FITTING, HYD CONNECTOR			147
12D10	NUT			347, 349
12H15	FITTING, GREASE 5			101, 121, 233
1306637	CLIP			131
13JM320	PIN			103
13JM532	PIN, COTTER			83, 85
14D10	NUT HEX MACH SCREW			113, 115, 117
14JM12140	PIN, CLEVIS			103
14JM2050	CLEVIS			83, 85
15EM100	WASHER			23, 111
15EM120	WASHER			149, 153
15EM140	WASHER			321, 323
15EM160	WASHER			105, 119
15EM200	WASHERS			415, 419
15EM80	WASHER			65, 69, 85, 87
15HB0808	FITTING			121, 125
15KB0404	FITTING, HYD CONNECTOR			139, 143, 149, 153, 383
15KB0406	FITTING, HYD CONNECTOR			121
15KB0604	FITTING, HYD CONNECTOR			121
15KB0606	FITTING, HYD CONNECTOR			121, 125, 127, 149, 153, 381, 415
15KB0608	FITTING, HYD CONNECTOR			383, 419
15KB0808	FITTING, HYD CONNECTOR			121, 127, 131, 341, 379
16DM10	NUT	4DM10	B	95, 97, 103, 445
16DM12	NUT	4DM12	B	95, 103
17EM100	WASHER			131
17EM120	WASHER			99
17EM60	WASHER			245
17EM80	WASHER			347
17KB0404	FITTING, HYD ELBOW			139, 143, 147, 149, 153, 379, 383
17KB0406	FITTING, HYD ELBOW			149, 153, 379, 383, 415, 419
17KB0606	FITTING			121, 373
17KB0808	FITTING, HYD ELBOW			153
17KB0810	FITTING, HYD ELBOW			149, 153
18EM1224	WASHER HARDENED PLN			23
18KB0404	FITTING, HYD ELBOW			139, 143, 149, 153, 429
18KB0606	FITTING, HYD ELBOW			149, 153
19KB0606	FITTING, HYD TEE			125

Code for disposition of old part number

A -- Use up

B -- Use on other application (See PNI)

C -- File PDR Report with Bobcat Parts Sales

D -- Part Number Error

NUMERICAL INDEX (Cont'd)

Part Number	Description	Was	Code	Page
1CM1012	SCREW			65, 69, 437
1CM1016	SCREW			339
1CM1020	SCREW HEX CAP			29, 33, 37, 439
1CM1025	BOLT			23
1CM1070	BOLT	1CM1075	B	97, 103, 445
1CM1220	BOLT			413
1CM1250	BOLT			413
1CM1270	SCREW	7CM1280	B	95
1CM1280	BOLT	1CM1270	B	103
1CM512	BOLT			25
1CM614	SCREW	4CM614	A	289
1CM616	SCREW HEX CAP	4CM616	A	295, 297, 301, 309
1CM655	SCREW			99
1CM8100	SCREW HEX CAP			269
1CM835	BOLT			301
1CM840	SCREW HEX CAP			127
1CM855	BOLT			379, 415, 419
1DM7	NUT			285
1EM100	WASHER PLAIN			101, 135
1EM120	WASHER			413
1EM80	WASHER PLAIN			273
21CM616	SCREW			107
21JM814	PIN			281
21KB0404	FITTING, HYD TEE			379, 383, 415, 419
21KB0606	FITTING, HYD TEE			125
21KB0808	FITTING, HYD TEE			131, 341
22J19	SNAP RING			101
23GM825	SCREW			87
23JM1024	PIN HARDENED PARALLE			23
23JM1032	PIN, STRAIGHT HARDENED			121
24K2	PLUG			113
24K3	PLUG			121, 135
24K5	PLUG			135
24K6	FITTING			131, 135
25E11	WASHER			115
25E13	WASHER 5			53, 55
25E15	WASHER 5			269
25E16	WSHR			29, 33, 37
26GM10020	SCREW HEX THRDRLG			89
26GM8016	SCREW			351
26GM8020	SCREW SELF TAPPING			139, 143, 347, 349
27CM1025	BOLT			267
27CM510	SCREW HX SOC HD CAP			29, 33, 37
27CM830	SCREW			273
27CM835	SCREW			105, 119

Code for disposition of old part number

A -- Use up

B -- Use on other application (See PNI)

C -- File PDR Report with Bobcat Parts Sales

D -- Part Number Error

NUMERICAL INDEX (Cont'd)

Part Number	Description	Was	Code	Page
28CM10100	BOLT			127
28CM1020	BOLT CARRIAGE 8.8			75
28CM1025	BOLT CARRIAGE 8.8			29, 33, 37, 273
28CM1030	BOLT CARRIAGE 8.8			323, 415, 419
28CM620	BOLT CARRIAGE 8.8			245, 251, 395
28CM816	BOLT CARRIAGE 8.8			65, 127
28CM820	BOLT CARRIAGE 8.8			65, 105, 107, 109, 113, 119, 125, 245, 251, 273, 419
28CM830	BOLT			113
29CM1016	SCREW FLANGE HEX CAP			25, 99, 415, 419
29CM1020	SCREW HEX 10MMX20MM			23, 89, 111, 127, 135, 239, 245, 251, 263, 395
29CM1025	SCREW FLGD HEX CAP			29, 33, 75, 89, 99, 125, 269, 355
29CM1030	SCREW FLGD HEX CAP			23
29CM1045	BOLT			267
29CM1235	BOLT	29CM01235B	A	99, 269
29CM1250	BOLT			125
29CM20150	BOLT			27, 329
29CM2045	BOLT			27
29CM2080	BOLT			27
29CM610	BOLT			69
29CM612	BOLT, FLANGED			263, 309, 351, 391, 393
29CM616	SCREW FLGD HEX CAP			115, 127, 263, 273, 395
29CM620	SCREW FLGD HEX CAP			117, 245, 251, 269, 355, 357, 431, 433
29CM630	SCREW FLGD HEX CAP			405
29CM812	BOLT			121, 129
29CM816	SCREW FLGD HEX CAP			87, 135, 143, 267, 405
29CM820	SCREW FLNGE HEX CAP	29CM1025	B	25, 37, 113, 115, 117, 131, 139, 143, 245, 251, 263, 269, 273, 321, 323, 379, 383, 415, 419
29CM825	SCREW HEX HD W/F 8.8			29, 33, 37, 245, 251, 263, 369
29CM845	SCREW HEX FLANGE			245, 251
29E6	WASHER			267
2EM7	WASHER			285
30H22	CLIP INSULATED			121, 127, 129, 239
30H30	CLIP			127, 267, 273, 379, 415, 419
30H42	CLAMP			129
30H46	CLIP			125
30H50	CLAMP			129, 245
30H57	CLAMP			131, 273
30H60	CLIP			263
30H85	CLAMP			139, 143
31H31	CLIP			273
33CM1020	BOLT			83, 85, 135
33CM1025	BOLT			23, 25, 87, 263

Code for disposition of old part number

A -- Use up

B -- Use on other application (See PNI)

C -- File PDR Report with Bobcat Parts Sales

D -- Part Number Error

NUMERICAL INDEX (Cont'd)

Part Number	Description	Was	Code	Page
33CM1080	BOLT			131
33CM616	BOLT			273
33CM820	BOLT			135, 139, 143, 355, 357, 415
33CM825	BOLT			131, 135, 263
33CM830	BOLT			127
35C408	BOLT			45, 47, 49
36K3	CAP			383
38C608	SCREW			65, 69, 85
38C868	SCREW			105, 119
38CM1212	BOLT, SHOULDER			29, 33, 37
3974033	CAP			287
3974039	PIN			281
3974056	CAP			287
3974095	GASKET, METAL			281
3974260	SCREW			313
3974433	PLUG			281
3974882	HOOK			287
3974945	WASHER, THRUST			291
3974972	GASKET			305, 309, 313
3975436	SCREW			283
3GM1030	SCREW			135
3GM1070	BOLT			135
3GM620	SCREW, MACHINE			69
3GM820	SCREW			269
42HC250	CLAMP			267
42HL100	CLAMP HOSE TYPE MX	7225831	A	131
42HL150	CLAMP LINED HOSE			131, 263
42HL200	CLAMP LINED HOSE			135
42HL250	CLAMP			267
42HL91	CLAMP HOSE TYPE MX			355, 357
42HS04	CLAMP HOSE TYPE M			273, 373
43DM10	NUT FLANGED HEX			23, 25, 29, 33, 37, 75, 83, 85, 87, 101, 125, 127, 135, 263, 273
43DM5	NUT			25, 327
43DM6	NUT FLANGED HEX			69, 245, 251, 273, 355, 357, 395
43DM8	NUT FLANGED HEX			87, 127, 131, 135, 139, 143, 239, 245, 251, 263, 273, 351, 355, 357, 391, 405, 415, 419
45DM6	NUT 10			69
45G1006	BOLT			347, 349
45K5	FITTING			321, 323
45K7	CONNECTR			129, 319
4CM516	SCREW	1CM516	A	327
4CM612	BOLT	1CM612	A	65, 105, 107, 109, 119, 295, 307
4CM618	BOLT			309
4CM620	BOLT	1CM620	A	53, 55, 61, 63, 291, 395
4CM630	BOLT			299, 303
4CM816	SCREW HEX HD 8.8	1CM816	A	139, 143
4CM820	BOLT	1CM820	A	131

Code for disposition of old part number

A -- Use up

B -- Use on other application (See PNI)

C -- File PDR Report with Bobcat Parts Sales

D -- Part Number Error

NUMERICAL INDEX (Cont'd)

Part Number	Description	Was	Code	Page
4DM10	NUT HEX			55
4DM12	NUT HEX			99
4DM20	NUT			27, 329
4DM5	NUT HEXAGON M5			45, 47
4DM8	NUT HEX	7170874	A	61, 63
50D8	NUT			241, 243
515069	GROMMET			45, 47, 49
51DM10	NUT HX THDLK PREAPPL			89, 99, 267, 323, 415, 419, 437, 439
51DM12	NUT			89, 125, 269
51DM6	NUT HX THDLK PREAPPL			53, 55, 61, 63, 65, 87, 99, 107, 115, 117, 245, 251, 269, 309, 351, 405, 431, 433
51DM8	NUT HX THDLK PREAPPL			29, 33, 37, 65, 105, 107, 109, 119, 125, 131, 263, 269, 379, 383, 415, 419
53CM845	BOLT			129
53CM850	SCREW			129
53CM855	SCREW			379, 383
53D6	NUT			105, 119
53DM10	NUT HX THDLK PREAPPL			29, 33, 37
53DM12	NUT HX THDLK PREAPPL			413
53DM8	NUT HX THDLK PREAPPL			29, 33, 37, 65, 69, 113
54K30126	O-RING	25K30126	B	235
54K30210	O-RING	25K30210	A	233
54K40224	O-RING	25K40224	A	227, 231, 233
54K40300	O-RING	25K40300	A	229
54K60128	O-RING	25K60128	A	235
54K60212	O-RING	25K60212	A	227, 231, 233
55CM1230	SCREW HEX W/T 10.9			89
55CM1235	BOLT			149, 153
55CM1250	SCREW			23
55D7	NUT			53, 55
58K222	O RING 10			135
59CM1016	SCREW			381
59CM620	SCREW			263
59CM630	SCREW			263
59CM660	BOLT			269
59CM812	SCREW HX FLNG W/T8.8			105, 119
59CM816	BOLT			267
59CM825	BOLT			269
59CM835	SCREW HX FLNG W/T8.8			269
5CM1020	SCREW			113, 115, 117, 239
5CM1025	SCREW FL THD HEX CAP			267
5CM1030	SCREW FL THD HEX CAP			269
5HM14	CLAMP			273, 355, 357

Code for disposition of old part number

A -- Use up

B -- Use on other application (See PNI)

C -- File PDR Report with Bobcat Parts Sales

D -- Part Number Error

NUMERICAL INDEX (Cont'd)

Part Number	Description	Was	Code	Page
5HM16	CLAMP			135, 263
5HM19	CLAMP	5HM18		355, 357
5HM20	CLAMP			355, 357
5HM23	CLAMP			273
5HM42	HOSECLAMP			267, 273
5HM55	CLAMP			273
60CM1290	BOLT			269
60CM1650	SCREW HX FLNGW/T10.9			121
61D5	NUT 10			113
6505813	ADAPTER			267
6513495	PIN 5			85
6515007	GAUGE, FILTER AIR			267
6515156	ELBOW			267
6516229	SEAL, PISTON			233
6519328	RING, SEAL			235
6534111	WASHER, 5			95, 97, 99, 101, 103
6534154	RING, RETAINER			95, 97, 99, 101, 103
6536803	WASHER			99
6553411	BUSHING, PRESS FIT 5			273
6557720	HOSE, BULK			267
6560382	PIN, LOCK			445
6564452	LEVERGRIP			85, 113
6565977	HOSE, BULK			355, 357, 361
6567962	WASHER			113
6567963	SPACER			113
6577801	LIGHT, FRONT ASSY			441
6577822	HOSE, BULK			263, 273
6577961	GROMMET			113
6578169	HOSE, BULK/FT			273
6578278	BUMP.PAD			135, 273
6578528	HARNESS			441
6578824	HOUSING			441
6586251	HOSE, BULK			135
6586391	RETAINER			95
6586570	HEAD			229
6586718	HEAD, CYL TILT	7214661	A	233
6587887	GROMMET			45, 47, 49, 113
6588680	PISTON			233
6589675	SCREW			61, 63, 75
6589699	WASHER			101, 319, 423
6592766	U-BOLT			113
6594897	DECAL			333
6595014	DECAL			333
6597572	BUMPER			95, 389
6598098	PIN			309
6598116	PLUG			281, 287
6598703	SEAL			309

Code for disposition of old part number

A -- Use up

B -- Use on other application (See PNI)

C -- File PDR Report with Bobcat Parts Sales

D -- Part Number Error

NUMERICAL INDEX (Cont'd)

Part Number	Description	Was	Code	Page
6599116	GASKET			283
6599360	SEALANT, ELEC .3 OZ			1
6599365	KIT			157
6599645	PLUG, STEEL			273
6610510	STRAP, TIE 10			183, 185, 375, 379
6624289	STRAP, TIE			99, 113, 121, 125, 129, 131, 139, 143, 239, 241, 243, 245, 251, 273, 321, 323, 339, 355, 357, 395, 405, 415, 419, 441
6625575	FUSE, 20A			245, 251
6630041	ELBOW			273
6630168	COUPLER, DIAGNOSTIC			149, 153
6630188	POLISH			1
6630189	POLISH			1
6630367	CAP			131, 149, 153
6630945	WASHER			113
6633583	SEALANT, POLYURETHANE 300 ML			1
6644965	BALL JOINT			113, 115, 117
6648416	SEAL BULK /FT			65
6649478	HOUSING, LIGHT ASSY			441
6649949	PLUG			55
6650083	PAINT, SPRAY BLUE CAN			1
6650388	SEALANT			1
6650407	ADHESIVE			1
6651512	ALARM, BACK-UP			395
6652521	PLATE			129, 379, 415, 419
6652574	PLUG			281
6652580	BOLT			303
6652597	ADAPTER			279
6652688	CLAMP			313
6652689	CLAMP			313
6652745	PIPE			299
6652915	SEAL, OIL			95, 97, 227, 231, 233, 235, 389
6653561	NUT			279
6653841	GEAR			297
6653842	KEY			297
6653865	WASHER, THRUST			291
6654002	WASHER, THRUST			291
6654718	CLAMP 5			313
6654805	FUSE 10A			245, 251
6654806	FUSE, 15A			245, 251
6655218	GASKET			313
6655399	BUMPER			77, 357, 369
6655872	SEAL			313
6655880	PIPE			283
6657050	CAP			283

Code for disposition of old part number

A -- Use up

B -- Use on other application (See PNI)

C -- File PDR Report with Bobcat Parts Sales

D -- Part Number Error

NUMERICAL INDEX (Cont'd)

Part Number	Description	Was	Code	Page
6657412	BOLT			279
6657413	BOLT			279
6657422	O-RING			279
6657423	PIN			281
6657424	PIN			281
6657426	BALL			279
6657431	CAP			281
6657445	SCREW			311
6657446	SCREW			313
6657457	BOLT			279
6657458	STUD			311
6657459	NUT			305
6657461	NUT			311
6657466	GASKET			311
6657467	GASKET			311
6657470	NUT			305
6657474	SPRING			309
6657478	BOLT			287
6657479	GASKET			279
6657480	GASKET			291
6657481	SEAL, OIL			291
6657482	BOLT			291
6657483	BOLT			291
6657484	COVER			291
6657495	VALVE INLET			285
6657496	VALVE, EXHAUST			285
6657502	ASSY, ARM			285
6657506	SCREW			285
6657508	SPRING			285
6657509	BRACKET			285
6657510	STUD			285
6657511	WASHER			285
6657515	PUSH ROD			297
6657517	STOPPER			297
6657518	STOPPER			295
6657521	PISTONPIN			291
6657522	PISTONPIN			291
6657526	BOLT			291
6657530	COLLAR			291
6657531	SLEEVE			291
6657534	BEARING, CRANK			291
6657542	SHAFT			297
6657543	RING, SNAP			297
6657544	HUB			297
6657545	HUB			297
6657548	PIPE PIN			281
6657549	ASY ROTOR			279
6657552	GEAR, DRIVE			291
6657553	VALVE, SEAT			279

Code for disposition of old part number

A -- Use up

B -- Use on other application (See PNI)

C -- File PDR Report with Bobcat Parts Sales

D -- Part Number Error

NUMERICAL INDEX (Cont'd)

Part Number	Description	Was	Code	Page
6657554	SPRING			279
6657560	BOLT			305
6657562	WGHT GOV			295
6657563	SHAFT			295
6657564	HOLDER			295
6657566	SLEEVE			295
6657568	SCREW			295
6657572	HUB			307
6657574	GASKET			307
6657575	BEARING, BALL			307
6657576	BEARING, BALL			307
6657577	LEVER			309
6657578	GASKET			309
6657583	GASKET			301
6657584	PIPE			301
6657589	BOLT			279
6657590	STUD			303
6657591	NUT			303
6657592	NUT			309
6657593	NUT			295
6657594	SCREW			279
6657596	WASHER			309
6657597	KEY			295
6657600	PLUG			281
6657601	PLUG			281
6657603	SEAL, OIL			279
6657604	COVER			279
6657606	COVER			279
6657608	ASSY BOLT			305
6657610	GASKET			299
6657611	IMPELLER			299
6657613	BOLT			279
6657630	SPRING			285
6657632	GEAR, IDLER			297
6657635	FILTER, OIL ENG			1, 13, 21, 279
6657643	PIPE			313
6657644	PIPE			313
6657647	BUSHING			281
6657648	SNAP RING			295
6657649	ASSY, LEVER			309
6657655	LEVER			309
6657656	LEVER			309
6657657	SHAFT			309
6657661	KEY			291
6657663	PLUG			281
6657671	GEAR			295
6657675	PLUG			281
6657690	ROLLER			295
6657734	PUMP, PRIMER HAND		A	273

Code for disposition of old part number

A -- Use up

B -- Use on other application (See PNI)

C -- File PDR Report with Bobcat Parts Sales

D -- Part Number Error

NUMERICAL INDEX (Cont'd)

Part Number	Description	Was	Code	Page
6658103	COUPLER			131
6660075	SEAL			95, 99, 389
6660260	SWITCH, PRESS OIL HYD			157
6661062	PLUG, PIPE			267
6661248	FILTER, OIL HYD 12			1, 15, 17, 21, 157
6661753	PLUG			149, 153
6662076	RING, SNAP			187, 189
6663289	FUSE, 5A			245, 251
6664026	VALVE, CHECK			425
6664085	BUSHING			45, 47
6664223	OUTLET			245, 251
6664224	CAP			245, 251
6664554	PUMP, WIPER WASHER			45, 47, 49
6665000	CLIP			115, 117
6665208	WIPER, ROD CYL			235
6665314	PLUG			77, 105, 107, 109, 119
6665317	SWITCH			325, 435
6666302	FITTING, ELBOW			273
6666631	O-RING			261
6666766	GROMMET			45, 47, 49
6667324	SEAL			235
6667326	SEAL			233
6667327	SEAL, ROD			229
6667352	FILTER, FUEL W/SEPARATOR 12			1, 13, 21, 273
6667353	FILTER, FUEL ASSY			273
6667418	PLUG			281
6667419	WASHER			311
6667420	BOLT			287
6667421	BOLT			289
6667934	LIGHT, BULB			241, 243, 441
6668928	PIN, LOCK			431, 433
6669267	SEAL			227, 231
6669537	ACCUMULATOR			163
6670433	SHIM			311
6670446	WASHER			311
6670464	HOSE			313
6670472	NUT			313
6670520	WASHER			285
6670521	BOLT			285
6670533	NUT			309, 311
6670757	COUPLER, FLANGE			269
6670769	O-RING			279
6670770	BOLT			279, 301, 303
6670777	SHIM			311
6670785	ADAPTER			301
6670865	BELT, SEAT			29, 33, 37
6671106	ALARM			245, 251

Code for disposition of old part number

A -- Use up

B -- Use on other application (See PNI)

C -- File PDR Report with Bobcat Parts Sales

D -- Part Number Error

NUMERICAL INDEX (Cont'd)

Part Number	Description	Was	Code	Page
6671113	SWITCH			237
6671982	O-RING			261
6671991	SPRING			261
6671997	BOLT			261
6671999	ROLLER			261
6672000	RETAINER			261
6672001	PINION			261
6672006	NUT			261
6672007	BUSHING			261
6672008	NUT			261
6672011	NUT			261
6672012	WASHER			261
6672013	O-RING			261
6672172	DRIVEGEAR			261
6672178	COVER			261
6672354	PLUG			281
6672355	PIN			281
6672360	PLUG			279
6672365	GASKET	7207541	A	283
6672379	CAMSHAFT			295
6672381	SHAFT			295
6672384	CAP			305
6672387	COVER			305
6672388	TUBE			311
6672389	PUMP, FUEL INJ			311
6672389REM	PUMP, FUEL INJ. KUBOTA D1105			311
6672391	SHIM			311
6672395	BOLT			311
6672396	PLUG			311
6672397	SPRING			307
6672404	PIPE			313
6672406	PIPE			313
6672407	CORD			313
6672408	NUT			315
6672409	WASHER			315
6672410	SPRING			315
6672411	SPACER			315
6672412	PUSH ROD			315
6672413	NUT			315
6672414	WASHER			315
6672416	KIT, WASHER			315
6672417	WASHER			315
6672418	WASHER			315
6672419	WASHER			315
6672420	WASHER			315
6672421	WASHER			315
6672422	WASHER			315
6672423	WASHER			315

Code for disposition of old part number

A -- Use up

B -- Use on other application (See PNI)

C -- File PDR Report with Bobcat Parts Sales

D -- Part Number Error

NUMERICAL INDEX (Cont'd)

Part Number	Description	Was	Code	Page
6672424	WASHER			315
6672425	WASHER			315
6672426	WASHER			315
6672427	FUEL PUMP			311
6672436	SEAL			285
6672437	CAP			285
6672441	GASKET			303
6672443	GASKET			303
6672482	HOUSING			301
6672515	KIT, SEAL			425
6673188	SEAL KIT	6669736	A	425, 427
6673752	FILTER, AIR OUTER			1, 317
6673753	FILTER, AIR INNER			1, 317
6673865	BATTERY, WET 600CCA	6674687	B	1, 245, 251
6674145	SEAL, O-RING			343
6674172	THERMOSTAT			301
6674221	WASHER			187, 189
6674264	RETAINER NUT			23, 25, 75, 87, 127, 135, 263, 273, 323, 415, 419
6674316	SWITCH, PRESS OIL HYD			245, 251
6674818	ARMATURE			261
6674821	CLUTCH			261
6674831	SPRING			261
6674993	CAP			45, 47, 49
6675176	SWITCH			367
6675177	KNOB			357, 369
6675181	PLUG SWITCH HOLE			357, 367
6675212	RETAINER, BOLT			105, 119, 245, 251, 395
6675380	ADHESIVE, SPRAY 10.5 oz			1
6675523	LIGHT EC BEACON			325
6675529	FILTER, AIR			267, 317
6675668	CABLE, THROTTLE			113
6675699	PLUG			317
6675700	COVER			317
6675701	VALVE			317
6675705	ALARM			245, 251
6675722	NUT			23, 267
6675859	RETAINER			127, 131, 135, 139, 143, 245, 251, 263, 273, 355, 357, 415, 419
6675928	RELAY			395
6676026	NUT			127
6676114	ANTENNA, RADIO			237, 407
6676169	NUT			25, 29, 33, 37, 131, 139, 143, 245, 251, 263, 273, 379, 383
6676238	LIGHT			241, 243
6676499	GROMMET			45, 47
6676500	ELBOW			49
6676535	COUPLER, HUB			149, 153

Code for disposition of old part number

A -- Use up

B -- Use on other application (See PNI)

C -- File PDR Report with Bobcat Parts Sales

D -- Part Number Error

NUMERICAL INDEX (Cont'd)

Part Number	Description	Was	Code	Page
6676538	INSULATION TAPE FT			365
6676539	CLIP PANEL			361
6676713	LOUVER			355
6676725	BEZEL			241, 243
6676917	ELBOW			45, 47, 49
6676922	PLUG			245, 251, 375
6677119	SCREW			361, 365
6677203	TUBE, DIPSTICK			289
6677486	NUT			259
6677487	COVER			259
6677488	RECTIFIRE ASSY			259
6677490	BRACKETREAR			259
6677491	BRACKETFRT			259
6677492	ASSY, ROTOR			259
6677493	STATOR			259
6677495	SPACER			259
6677555	RECEPTACLE			361
6677839	GASKET			45, 47
6677842	NUT			45, 47
6677843	NUT			45, 47
6677847	GROMMET			45, 47
6678563	PLUG			425
6678667	MOUNT			245, 251
6678668	STRAP			149, 153, 245, 251, 327, 415, 419
6678669	STRAP			135
6678818	MOUNT			125, 131, 135, 139, 143
6678988	ASSY, VALVE			163
6678990	VALVE, CHECK			163
6678993	PLUG			163
6679076	NUT			163
6679078	KIT, SEAL			163
6679248	BACKUP RING			187, 189
6679499	O-RING			165
6679600	PLUG			205, 217, 219
6679675	NUT			361
6679755	GASKET			317
6679820	SWITCH, RELAY MAGNETIC			245, 251
6679906	SWITCH			415, 419
6679953	HANDLE, JOYSTICK			175
6679956	JOINT KIT			169, 171, 173, 175, 177, 179
6679958	LOCK			169, 171, 175, 177
6679960	CONNECTOR			169, 171, 175, 177
6680092	VALVE, LOCK LOAD			205, 207, 217, 219, 221, 223, 225
6680119	ASSY, PLUG			209, 215
6680247	ASSY, VALVE			221, 223
6680255	SHAFT			285
6680256	PIN, SPRING			285
6680263	STUD			279

Code for disposition of old part number

A -- Use up

B -- Use on other application (See PNI)

C -- File PDR Report with Bobcat Parts Sales

D -- Part Number Error

NUMERICAL INDEX (Cont'd)

Part Number	Description	Was	Code	Page
6680264	STUD			279, 309, 311
6680268	O-RING			291
6680270	BEARING, -0.2mm			291
6680271	BEARING, -0.4mm			291
6680272	NUT			305
6680274	CLAMP			311
6680277	O-RING			309
6680278	WATER PUMP			299
6680279	FLANGE			299
6680280	SEAL			299
6680284	O-RING			289
6680427	SENSOR			241, 243
6680428	SENSOR			241, 243
6680483	PLUG			289
6680494	RING PISTON			291
6680496	BEARING, ROD			291
6680497	BEARING, ENG CRANKSHAFT			291
6680498	BEARING, ENG MAIN			291
6680501	ASSY, PLATE			309
6680516	RINGS PISTON			291
6680519	BEARING, ENG MAIN			291
6680520	BEARING			291
6680521	BEARING			291
6680540	BOLT			263, 291
6680580	CLAMP			301
6680618	BUSHING			297
6680624	TUBE			311
6680627	TUBE			311
6680667	PLUG			287
6680689	ADAPTER			303
6680795	CLAMP			311
6680797	TEE			311
6680837	LATCH			317
6680859	GUIDE			287
6680881	NUT			285
6680956	VALVE			425
6680957	VALVE			425, 427
6680958	COIL	6689082	A	425
6681662	COVER			279
6681683	ASSEMBLY IDLE			305
6681886	GROMMET			139, 143
6681911	SCREW			45, 47
6682230	SCREW			205, 223
6682237	HANDLE			177
6682247	SCREW			205, 209, 211, 215, 221, 223
6682248	SCREW			207, 209, 211, 213, 215, 217, 219, 225, 429
6682345	STRAP, TIE 8			241, 243, 245, 251, 387
6682462	VALVE, CHECK			45, 47, 49

Code for disposition of old part number

A -- Use up

B -- Use on other application (See PNI)

C -- File PDR Report with Bobcat Parts Sales

D -- Part Number Error

NUMERICAL INDEX (Cont'd)

Part Number	Description	Was	Code	Page
6682492	EDGE TRIM BULK/FT			65, 107, 431, 433, 437, 439
6682697	GROMMET			55, 237
6682740	RETAINER			325, 435
6682741	RETAINER			325, 435, 441
6683009	O-RING			279, 283
6684397	BOLT			259
6684564	MIRROR, SIDE HEAD			391, 393
6684567	MIRROR ARM LH			391, 393
6684650	REGULATOR ASSY			259
6684714	HOUSING			169, 175
6684776	CLAMP			283
6684857	PLUG			301
6684863	GASKET			301
6684940	KNOB			367
6684947	GROMMET			361
6685087	VALVE			283
6685140	COVER			45, 47
6685332	SPOOL			181
6685333	PLUG			205
6685372	SEALANT, GASKET LIQUID 10.1 OZ			1
6685607	GRILLE			237
6685744	NUT			55, 237, 407
6685776	KIT, VALVE			205
6685924	OIL FILL CAP			279, 283
6685958	GUIDE			287
6685959	RETAINER			285
6686034	BOLT			299
6686073	VALVE			221
6686166	COVER			283
6686170	TUBE			283
6686171	CLAMP			283
6686172	HEAD, CYLINDER ASSY			287
6686175	BEARING			295
6686176	BEARING			295
6686178	BEARING			295
6686180	LEVER			307
6686181	SHAFT			307
6686182	SHAFT			307
6686184	NOZZLE			315
6686187	MANIFOLD, INLET			303
6686236	PLUG			181, 217, 219, 429
6686999	WIPER, ROD CYL			229
6687000	WIPER ROD			227, 231
6687687	GASKET			305
6687911	HOLDER			315
6688075	BOLT			279
6688089	KIT			159

Code for disposition of old part number

A -- Use up

B -- Use on other application (See PNI)

C -- File PDR Report with Bobcat Parts Sales

D -- Part Number Error

NUMERICAL INDEX (Cont'd)

Part Number	Description	Was	Code	Page
6688091	KIT			159
6688356	COIL			427
6688994	MOUNT			269
6688999	STRIKER GUARD			53, 55
6689007	BOLT STRIKER			53, 55
6689773	COUPLER			373
6689940	PISTON			291
6690707	WIPER, ROD CYL			233
6690915	LOCK ASSY			345
6690916	BOLT			345
6690917	WASHER, LOCK			345
6690918	WRENCH, SOCKET M19			345
6690928	SPRING, PRESSURE			345
6690940	BOLT			269
6691295	GASKET			289
6691302	BEARING CASE			291
6691304	CASE, BEARING			291
6691305	CASE, BEARING			291
6691307	TAPPET			297
6691310	GEAR			295
6691313	SOLENOID, STOP			305
6691319	SPRING			307
6691325	COVER			301
6691532	SCREW			361
6691539	HEX. NUT			259
6692326	SEAL, BP			229
6692400	BULB			99
6692540	COMP. CASE, GEAR			279
6692542	ASSY ROD, CONNECTING	6680495	A	291
6692548	BOOT			169, 171, 173, 175, 177, 179
6692549	KIT, PLUNGER			169, 175
6692788	LOCKING PLATE			343
6692805	SEAL, BP			227, 231
6692836	CAP, HYDRAULIC TANK			15, 21, 135
6693223	WASHER			361
6693234	FOAM			361
6693236	FOAM			361
6693241	KEY (2)			245, 251
6693245	SWITCH, IGN			245, 251
6693507	VALVE, BALL			131, 167, 341
6693712	KEYPAD, PANEL			251, 377
6693921	SENSOR, RPM			239
6696953	FOAM			361
6696964	ENGINE, D1105			263, 267, 269, 273, 277
6697796	FLASHTUBE			435
6698147	SHIM, INJECTION PUMP			311

Code for disposition of old part number

A -- Use up

B -- Use on other application (See PNI)

C -- File PDR Report with Bobcat Parts Sales

D -- Part Number Error

NUMERICAL INDEX (Cont'd)

Part Number	Description	Was	Code	Page
6698160	SHIM, INJECTION PUMP			311
6698169	ACTUATOR, THROTTLE			115, 245, 251
6698186	BEARING, CLIP			53, 55
6698503	LATCH, HOLD OPEN			53, 55
6698504	U-BOLT			61, 63
6698608	CONTROLLER, KEYED PANEL			245
6698609	CONTROLLER, KEYLESS PANEL			245, 375
6698610	BOLT			305
6698613	PISTON, ENG			291
6698614	HOLDER, GEAR GOV			295
6698615	WASHER, THRUST			295
6698616	COVER, SHAFT			307
6698617	GASKET, COVER CASE			291
6698618	GLOW PLUG			313
6698624	BUSHING, PIN PISTON			291
6698636	SCREEN, OIL ENG			289
6701449	FLR.TUBE			273
6701892	CLAMP			129, 379, 415, 419
6702444	FUSE 25A 5			245, 251
6703736	CAP			267
6708310	HOSE, BULK/FT 100			45, 47, 49
6713507	DECAL			333
6715183	ELBOW			273
6716621	COVER, FUSE			245, 251
6718414	SENDER, TEMP ENG			239
6719341	TUBE,HINGE			45, 47, 49
6719825	BOLT			269
6725182	TEE	7192313	A	149, 153
6727869	SENDER,HYD TEMP			245, 251
6731085	ELBOW			355, 357
6732023	CONNECTOR, HOSE			355, 357
6732148	DECAL			331
6733378	BOLT			269
6800424	GEAR			269
6800686	HEAD, CYL TILT			227
6802539	SPACER			29, 33, 37
6802867	ELBOW 90			415, 419
6803202	SCREW			29, 33, 37, 53, 55, 65, 111
6803213	BUSHING, PRESS FIT			95, 97, 389
6803309	BUSHING, PRESS FIT			97
6805244	WASHER			45, 47, 49, 75, 77
6806443	GROMMET			139, 143
6807184	FITTING			121
6807431	CABLE, NEGATIVE			245, 251
6808246	BUSHING			227, 233, 235

Code for disposition of old part number

A -- Use up

B -- Use on other application (See PNI)

C -- File PDR Report with Bobcat Parts Sales

D -- Part Number Error

NUMERICAL INDEX (Cont'd)

Part Number	Description	Was	Code	Page
6808271	BUSHING			231
6808424	SCREW			55
6808611	PISTON			235
6808749	BUSHING			105, 119
6808924	HINGE			431, 433
6808926	PIN			431, 433
6810004	DECAL, WARNING			395
6810029	STOP, SWIVEL			187, 189
6810133	GROMMET			263
6810456	BUSHING			105, 119
6810539	NUT			227, 231, 233
6810540	NUT			229
6810813	SEAL, OIL			187, 189
6812170	PLUG			229, 231, 233, 235
6812171	PLUG			187, 189, 227
6814024	SCREW			355
6814428	RIVET			115, 117
6815277	BUSHING			95, 389
6815939	SEAL (BULK/FOOT)			59
6815993	DECAL, LIFT			333
6816193	SCREW			69, 105, 119
6817769	SCREW			23, 29, 33, 37, 83
6818017	BRACKET			431, 433
6818059	DECAL			445
6901951	MANUAL EMI SAFETY - EXCAVATOR			7
6902177	GREASE, METALUBE			1, 9, 11
6902838ENUS	INSTRUCTIONS	6902838	A	413
6903109	OIL 30W QT. 12			13
6903110	OIL, 30W GAL. 6			13
6903111	OIL 30W 2.5 GAL 2			13
6903117	FLUID, OIL HYD 2.5 GAL 2			1
6903118	FLUID, OIL HYD 5 GAL			1
6903119	FLUID, OIL HYD 55 GAL DRUM			1
6903121	LUBE, GEAR			1, 17, 21
6903211	SPEAKER, 4 INCH			237, 407
6904026	FLUID, OIL HYD 1 GAL			1
6904027	FLUID, OIL HYD 265 GAL TOTE			1
6921052	KIT, VALVE			211
6969775	SWITCH, OIL PRESSURE			281
6969803	COVER, BREATHER			283
6969804	PLUG, OIL GAUGE			289
6969895	BOLT			291
6969896	ASSY CAMSHAFT			297
6969904	JOINT, EYE			311
6969973	CLAMP, CORD			303

Code for disposition of old part number

A -- Use up

B -- Use on other application (See PNI)

C -- File PDR Report with Bobcat Parts Sales

D -- Part Number Error

NUMERICAL INDEX (Cont'd)

Part Number	Description	Was	Code	Page
6975181	GASKET, CYLINDER HEAD			287
6983127	ANTIFREEZE/COOLANT PG CONCEN 55 GAL			1, 19
6983128	ANTIFREEZE/COOLANT, PG 53/47 PREMIX GAL			1, 19
6983129	ANTIFREEZE/COOLANT PG CONCENTRATE GAL			1, 19
6983130	ANTIFREEZE/COOLANT, PG 53/47 PRMX 55GAL			1, 19
6987271	OHB, W WIRE ROPE			7
6987271ESAR	OHB, W/WIRE ROPE			7
6987271PTBR	OHB, W/WIRE ROPE			7
6987321ENUS	INSTRUCTIONS	6987321	A	325
6987322ENUS	INSTRUCTIONS	6987322	A	435
6987333ENUS	INSTRUCTIONS	6987333	A	345
6987336ENUS	INSTRUCTIONS	6987336	A	353
6987344ENUS	INSTRUCTIONS	6987344	A	343
6987357ENUS	INSTRUCTIONS	6987357	A	407
6987408ENUS	INSTRUCTIONS	6987408	A	437, 439
6987409	INSTRUCTIONS			405
6987412ENUS	INSTRUCTIONS	6987412	A	391, 393
6987433ENUS	INSTRUCTIONS	6987433	A	445
6987497ENUS	INSTRUCTIONS	6987497	A	441
6987789A	OIL, 10W30 5L 4	6904840A	A	1, 21
6987789B	OIL, 10W30 20L	6904840B	A	1, 21
6987789C	OIL, 10W30 205L	6904840C	A	1, 21
6987789D	OIL, 10W30 1000L	6904840D	A	1, 21
6987790A	OIL, 15W40 5L 4	6904841A	A	21
6987790B	OIL, 15W40 20L	6904841B	A	21
6987790D	OIL, 15W40 1000L	6904841D	A	21
6987791A	FLUID, OIL HYD 5L 4	6904842A	A	17, 21
6987791B	FLUID, OIL HYD 20L	6904842B	A	17, 21
6987791C	FLUID, OIL HYD 205L	6904842C	A	17, 21
6987791D	FLUID, OIL HYD 1000L	6904842D	A	17, 21
6987792A	FLUID, OIL HYD BIO 5L 4	6904843A	A	17, 21
6987792B	FLUID, OIL HYD BIO 20L	6904843B	A	17, 21
6987792C	FLUID, OIL HYD BIO 205L	6904843C	A	17, 21
6987792D	FLUID, OIL HYD BIO 1000L	6904843D	A	17, 21
6987888	GREASE, MULTIPURPOSE #2 - 10	6903122	B	1, 9, 11
6987889	GREASE, HD SUPREME 10	6687884	B	1, 9, 11
6987890	GREASE, HP EXTREME 10	6687885	B	1, 9, 11

Code for disposition of old part number

A -- Use up

B -- Use on other application (See PNI)

C -- File PDR Report with Bobcat Parts Sales

D -- Part Number Error

NUMERICAL INDEX (Cont'd)

Part Number	Description	Was	Code	Page
6988096	ANTIFREEZE/COOLANT EG PREMIX GAL 6			1, 19
6988097	ANTIFREEZE/COOLANT, EG CONCENTRATE GAL			1, 19
6988336	RADIO, BOBCAT HEAVY-DUTY MINI	7159873	A	407
6988434	KIT, RADIO	7173285	A	407
6988437	FLUID, OIL HYD BIO 55 GAL DRUM			1
6988439	FLUID, OIL HYD SYNTHETIC 55 GAL DRUM			1
6988777	FLUID, OIL HYD BIO GAL			1
6988778	FLUID, OIL HYD SYNTHETIC GAL			1
6988779	FLUID, OIL HYD SYNTHETIC 2.5 GAL			1
6988831EF	TRACK RBR (300X80X52.5) 12"	6988831	A	443
6989147	OIL, SYNTHETIC 5W40 QT			1
6989148	OIL, SYNTHETIC 5W40 GAL			1
6989410	INSTRUCTIONS			375
6989413ENUS	INSTRUCTIONS	6989413	A	411
6989489ENUS	INSTRUCTIONS	6989489	A	65
6989510ENUS	INSTRUCTIONS	6989510	A	431
6989530ENUS	INSTRUCTIONS	6989530	A	347, 349
6989690	OPERATION & MAINTENANCE MANUAL E25			7
6989691ENUS	SM, E25 EXC	6989691	D	7
6989692	MANUAL, PARTS			7
6990133ENUS	INSTRUCTIONS	6990133	A	329
6990137ENUS	INSTRUCTIONS	6990137	A	389
6990153ENUS	INSTRUCTIONS	6990153	A	395
6990161ENUS	INSTRUCTIONS	6990161	A	373
6990168	INSTRUCTIONS			49, 55
6990178ENUS	INSTRUCTIONS	6990178	A	355
6990182ENUS	INSTRUCTIONS	6990182		341
6990183ENUS	INSTRUCTIONS	6990183	A	415, 419
6990230ENUS	INSTRUCTIONS	6990230	A	383
6990231ENUS	INSTRUCTIONS	6990231ENUS	A	379
6990322ENUS	INSTRUCTIONS	6990322	A	319
6990352ENUS	INSTRUCTIONS	6990352	A	327
6990363	INSTRUCTIONS			65
6990434	OHB, W/WIRE ROPE			7
6990434FRCA	OHB, W/WIRE ROPE			7
6990513ENUS	INSTRUCTIONS	6990513	A	69
6990822ENUS	INSTRUCTIONS	6990822	A	129

Code for disposition of old part number

A -- Use up

B -- Use on other application (See PNI)

C -- File PDR Report with Bobcat Parts Sales

D -- Part Number Error

NUMERICAL INDEX (Cont'd)

Part Number	Description	Was	Code	Page
6990888ENUS	INSTRUCTIONS			357
6990891ENUS	INSTRUCTIONS	6990891	A	377
7000009	PLUG			153
7000328	ADAPTER, SWITCH IGN			245, 251, 377
7000503	BOLT			311
7001441	BLOCK ENGINE			281
7003456	VALVE, MOTORIZED ASSY			355, 357
7003458	CLAMP, HOSE			361
7003459	GROMMET			361
7003460	SEAL, FOAM			361, 367
7003497	SPRING, COMPRESSION			105, 119
7003498	BEARING, ROLLER			105, 119
7003499	BUSHING			105, 119
7003511	PLUG			361
7008365	HANDLE, DOOR CAB			61, 63
7008366	LATCH, DOOR CAB			61, 63
7008389	RETAINER, VALVE SPRING			285
7008556	PLUG			425
7008581	JOYSTICK, BLADE			185
7008772	ALTERNATOR, 90 AMP			239, 259, 269
7008812	PIN, CLEVIS			85
7008929	FILTER, OIL HYD ASSY			135
7008933	SWITCH, PRESS OIL HYD			395
7008934	MOTOR, WIPER			45, 47
7008936	ARM, WIPER			45, 47
7008937	BLADE, WIPER WINDOW			45, 47
7009046	CONTROLLER, AUX CONTROL			339
7009047	PLATE			45, 47
7009345	RING, SNAP			165
7009348	BALL, 3/16 DIA			165
7009349	O-RING			165
7009350	SPRING, SPOOL			165
7009353	CLAMP, T-BOLT			379, 383
7009365	FILTER, OIL HYD			1, 15, 17, 21, 135
7010035	HANDLE			165
7010036	WASHER			165
7010037	SCREW			165
7010038	JOYSTICK, LH			339
7010039	JOYSTICK, RH			339
7010112	CONTROLLER, THROTTLE AIC			245, 251
7010133	GASKET, PUMP FUEL			311

Code for disposition of old part number

A -- Use up

B -- Use on other application (See PNI)

C -- File PDR Report with Bobcat Parts Sales

D -- Part Number Error

NUMERICAL INDEX (Cont'd)

Part Number	Description	Was	Code	Page
7010197	HANDLE, JOYSTICK			169, 171
7010200	PULLEY, ALT			259
7010237	SWITCH, PRESSURE			387
7010296	SPRING, COMPRESSION			425
7010297	SPOOL, VALVE			425
7010298	SWITCH, ALARM MOTION			395
7010331	FRESH AIR FILTER			361
7010332	FILTER RECIRCULATION			361
7010428	BELT, SEAT			411
7010502	CAP, CONNECTOR			375
7010503	SWITCH, ROCKER			387
7010549	HANDLE, JOYSTICK			185
7010550	LOCK			183, 185
7010551	PLUG			183, 185
7010552	CONNECTOR			183, 185
7010553	BASE, JOYSTICK			185
7010554	HOUSING, JOYSTICK			183, 185
7010555	SPOOL, ACTUATOR ASSY			185
7010556	SPOOL, ACTUATOR ASSY			183, 185
7010625	COIL, SOLENOID			163
7010628	O-RING			163
7010629	VALVE, RELIEF			163
7010676	PLUG			27, 329
7010796	GEAR, DRIVEN			199
7010798	RING, SNAP			199
7010799	SCREW			197, 199
7010801	SCREEN, DEBRIS			197
7010803	BEARING, MOTOR SLEW			197
7010804	RING, SNAP			197
7010807	PIN			197
7010808	O-RING			197
7010809	O-RING			197
7010811	O-RING			197
7010812	O-RING			201
7010813	O-RING			201
7010814	O-RING			201
7010815	O-RING			201
7010816	RING, BACK-UP			201
7010824	KIT, CARRIER			199
7010828	KIT, SEAL			197
7010829	KIT, SEAL			201
7011053	CLIP			121, 125, 139, 143, 147, 383, 415, 419
7011086	SCREW, TAPPING			367
7011088	RIVET, POP			367

Code for disposition of old part number

A -- Use up

B -- Use on other application (See PNI)

C -- File PDR Report with Bobcat Parts Sales

D -- Part Number Error

NUMERICAL INDEX (Cont'd)

Part Number	Description	Was	Code	Page
7011090	DECAL			367
7011091	DUCT, AIR			367
7011094	LOUVER			367
7011095	LOUVER			367
7011096	FOAM			361
7011099	STUD			361
7011100	NUT			361
7011101	WASHER			361
7011102	BOLT			361
7011103	INSULATION, HEATER			361
7011104	INSULATION, HEATER			361
7011105	INSULATION, HEATER			361
7011106	INSULATION, HEATER			361
7011107	INSULATION, HEATER			361
7011108	INSULATION, HEATER			361
7011109	FOAM			361
7011110	BUSHING			361
7011111	CABLE, A/C			361
7011112	CLAMP, CABLE			361
7011113	HARNESS, HEATER			361
7011114	PAN, COIL			361
7011117	PLATE			361
7011118	LOUVER			361
7011119	PLATE, SUPPORT			361
7011120	LEVER			361
7011121	BRACKET			361
7011122	DOOR, CONTROL AIR			361
7011125	COIL, HEATER			361
7011131	BLOWER, HEATER AND A/C			361
7011925	BOLT			89, 93
7012019	BASE, JOYSTICK			181
7012020	SPOOL, ACTUATOR ASSY			181
7012022	PLUG			181
7012201	KIT, SEAL			167
7012344	BELT, SEAT			41
7012494	ORIFICE			139, 143
7012620	KIT, SEAT OPERATOR TOP			41
7012621	KIT, SLIDE			41
7012622	KIT, CONTAINER MANUAL			41
7012623	KIT, BACKREST SEAT			41
7012624	KIT, CUSHION SEAT VINYL			41
7012625	KIT, BACKREST SEAT			41
7012626	KIT, CUSHION SEAT			41
7012810	PLUG			61, 63, 263
7013179	FITTING			135

Code for disposition of old part number

A -- Use up

B -- Use on other application (See PNI)

C -- File PDR Report with Bobcat Parts Sales

D -- Part Number Error

NUMERICAL INDEX (Cont'd)

Part Number	Description	Was	Code	Page
7013180	TUBE			135
7013575	ROLLER, TRACK			93
7015668	MOUNT, STRAP TIE			245, 251
7016425	HOLDER, CUP			369
7017857	SET SCREW			231
7017997	HOUSING, BASE			361
7017998	COVER			361
7017999	PLATE, VALVE			361
7018000	COVER, ASSY			361
7018001	VALVE, DRAIN			361, 365
7018002	CONNECTOR			361
7018003	SEAL, FOAM			361
7018004	HEATER, CAB			355, 361
7018006	BRACKET			367
7018007	PLATE			367
7018008	CONTROL			367
7018009	WASHER			367
7018010	SWITCH, CONTROL TEMP			367
7018015	KIT, PLUNGER			181
7018038	LIGHT			99
7020238	KIT, KNOB			41
7020240	KNOB, ADJUSTMENT WEIGHT			41
7020241	KNOB, ADJUSTMENT HEIGHT			41
7020243	LATCH			25
7020350	KIT, SUSPENSION ASSY		A	41
7020389	RETAINER			25
7020782	PIN, ROLL			343
7020783	SPRING	7020781	B,D	343
7021126	CONTROLLER, RFID			405
7021127	ANTENNA, RFID			405
7021128	KEY, RFID			405
7021924	MOUNT, ENG			269
7022139	IDLER, TRACK FRONT			91
7022140	BOLT, HEX SOCKET			91
7022141	WASHER			91
7022142	TENSIONER, TRACK ASSY			91
7022143	RING, WEAR			91
7022144	SEAL, WIPER ROD			91
7022145	SHAFT, ROD CYL			91
7022367	KNOB			245, 251
7022385	PLUG			205
7022636	CAP, RADIATOR			263
7022679	PLUG			281
7022680	FITTING, DRAIN			281
7022681	PAN, OIL			289

Code for disposition of old part number

A -- Use up

B -- Use on other application (See PNI)

C -- File PDR Report with Bobcat Parts Sales

D -- Part Number Error

NUMERICAL INDEX (Cont'd)

Part Number	Description	Was	Code	Page
7022682	BOLT			287
7022683	GAUGE, OIL			289
7022684	CRANKSHAFT, ASSY			291
7022685	GEAR, CRANKSHAFT			291
7022686	LEVER, FORK ASSY			307
7022689	MANIFOLD, EXHAUST			303
7022690	SPOOL			165
7022730	WINDOW, CAB SLIDING REAR			73
7022731	WINDOW, CAB SLIDING FRONT			73
7022732	HANDLE, WINDOW SIDE			73
7022734	HANDLE, WINDOW SIDE			73
7022767	WASHER, THRUST			291
7022768	WASHER, THRUST			291
7022769	CAM, FUEL			295
7022770	BEARING, ENG ROD CONNECTING			291
7022771	BEARING, ENG ROD CONNECTING			291
7022774	KIT, SEAL			191
7022798	CIRCLIP			195
7022799	PLUG, MOTOR			195
7022800	PAD			195
7022801	COVER, ASSY			195
7022802	O-RING			195
7022803	GEAR			195
7022804	GEAR, MOTOR			195
7022805	CIRCLIP			195
7022806	GEAR, MOTOR			195
7022807	CIRCLIP			195
7022808	BEARING, MOTOR TRAVEL			195
7022809	CIRCLIP			195
7022810	DISC			195
7022811	SEAL, RING			195
7022812	RING, SUPPORT			195
7022813	MOTOR, TRAVEL			195
7022814	SCREW			191, 195
7022815	HOUSING, ASSY			191
7022816	VALVE, TRAVEL			191
7022817	PLUNGER			191
7022818	ORIFICE			191
7022819	KIT, SHIFT 2 SPEED			191
7022820	KIT, PLUG			191
7022821	VALVE, ANTI-CAV			191
7022822	KIT, ROTARY GROUP			191
7022823	SWASHPLATE			191

Code for disposition of old part number

A -- Use up

B -- Use on other application (See PNI)

C -- File PDR Report with Bobcat Parts Sales

D -- Part Number Error

NUMERICAL INDEX (Cont'd)

Part Number	Description	Was	Code	Page
7022824	SHAFT, MOTOR			191
7022825	SEAL, RING			191
7022826	BEARING, MOTOR TRAVEL			191
7022827	GEAR, MOTOR			199
7022828	O-RING			199
7022829	RING			199
7022830	BEARING, MOTOR SLEW			197
7022831	KIT, PINION			199
7022832	KIT, CARRIER			199
7022833	KIT, HOUSING MOTOR			197
7022834	KIT, ROTARY GROUP			197
7022835	SWASHPLATE			197
7022836	VALVE, RELIEF			197, 201
7022942	PLUG			163
7022943	ORIFICE			163
7022944	SECTION, VALVE			203, 205
7022945	SECTION, VALVE			203, 207
7022946	SECTION, VALVE			203, 209
7022947	SECTION, VALVE			203, 211
7022948	SECTION, VALVE			203, 213
7022949	SECTION, VALVE			203, 215
7022950	SECTION, VALVE			203, 217
7022951	SECTION, VALVE			203, 221
7022952	SECTION, VALVE			203, 223
7022953	SECTION, VALVE			203, 225
7022954	ACTUATOR			225
7022955	KIT, ROD TIE			203
7022956	VALVE, RELIEF			225
7022957	VALVE, RELIEF			225
7022958	ACTUATOR			205, 223
7022959	ACTUATOR			221
7022960	ACTUATOR			217, 219
7022961	ACTUATOR			209, 215
7022963	PLUG			211, 213
7022964	ACTUATOR			213
7022965	ACTUATOR			211
7022966	PLUG			207, 213
7022968	FITTING, HYD CONNECTOR			209
7022969	VALVE, RELIEF			209, 215
7022970	ACTUATOR			207
7022971	BOLT			205, 223
7022972	KIT, SEAL			205
7022973	KIT, SEAL			207
7022974	KIT, SEAL			209
7022975	KIT, SEAL			211
7022976	KIT, SEAL			213
7022977	KIT, SEAL			215

Code for disposition of old part number

A -- Use up

B -- Use on other application (See PNI)

C -- File PDR Report with Bobcat Parts Sales

D -- Part Number Error

NUMERICAL INDEX (Cont'd)

Part Number	Description	Was	Code	Page
7022978	KIT, SEAL			217, 219
7022979	KIT, SEAL			221
7022980	KIT, SEAL			223
7022981	KIT, SEAL			225
7022982	KIT, SEAL COMPLETE			203
7023022	SWITCH ROTARY			251, 377
7023076	OIL, 10W30 QT 12	6903107	A	13
7023077	OIL, 10W30 GAL 6	6903108	A	13
7023078	OIL, 10W30 2.5 GAL 2	6903112	A	13
7023080	OIL, 15W40 QT 12			1, 13
7023081	OIL, 15W40 GAL 6			1, 13
7023082	OIL, 15W40 2.5 GAL 2			1, 13
7023083	OIL, 15W40 55 GAL DRUM			1
7023084	OIL, 15W40 265 GAL TOTE			1
7023136	BEARING, ENG CRANKSHAFT	6680522	A	291
7023138	WASHER, THRUST	6654003	A	291
7023166	LATCH, WINDOW CAB			69
7023167	LATCH, WINDOW CAB			69
7023293	LATCH, RH			65
7023294	LATCH, LH			65
7023324	PUMP, GEAR			159
7023550	CAP, DIESEL LOCKING			273
7023573	RESISTOR			361
7023588	KNOB			251, 377
7023784	DISPLAY, STD			251, 257
7024440	JOYSTICK, LH ASSY			139, 143, 147, 173, 243
7024441	JOYSTICK, RH ASSY			139, 143, 179, 251
7024905	DISPLAY, DLX			257
7025094	COIL, SOLENOID	7031575	A	401, 403
7025235	SPOOL, ACTUATOR			183
7025236	HANDLE, JOYSTICK			183
7025237	BASE, JOYSTICK			183
7025589	FLASHTUBE			435
7025605	INSULATION, HEATER			361
7025618	RADIO, BT			407
7028624	KIT PLUNGER			171, 173, 177, 179
7029535	DUCT, AIR			367
7029536	PLATE, SUPPORT			367
7029537	PIN, MOUNTING			367
7029538	RING, STOP			367
7029539	DECAL, INDICATOR			367
7031569	SPOOL			401, 403
7031570	CHECK VALVE			401, 403
7031571	SCREEN			401
7031572	SCREEN			401
7031587	RESISTOR			365

Code for disposition of old part number

A -- Use up

B -- Use on other application (See PNI)

C -- File PDR Report with Bobcat Parts Sales

D -- Part Number Error

NUMERICAL INDEX (Cont'd)

Part Number	Description	Was	Code	Page
7031599	HANDLE, JOYSTICK			179
7031600	HOUSING, JOYSTICK			173, 179
7031601	HANDLE, JOYSTICK			173
7100535	SEAL, DUST	6810610	A	187, 189
7101341	PIN			269
7101512	BUMPER			59, 65
7102065	BRACKET			413
7102902	KIT, SEAT BELT			413
7106279	SCREW			273
7106627	DECAL, REFLECTIVE			329, 333
7106798	HEAD			235
7110861	CLEANER			65
7112708	DECAL			333
7114497	WASHER			113
7116851	CUP			269
7120570	DECAL			331
7120573	DECAL			331
7120672	TIE DOWN			245, 251
7122310	TORX BOLT			69
7127210	GROMMET			89
7128723	SCREEN			135
7133211	TANK, WASHER			45, 47, 49
7134803	SEAL, BULK			29, 33, 37, 127
7135394	SEAL BULK			79, 263
7135895	HARNESS			99
7135909	SCREW			245, 251
7136738	DECAL WARNING			331, 395
7136776	GROMMET			355, 357
7137214	PIN			445
7137786	KIT, SEAL			235
7139000	DECAL			333, 343
7139574	MOUNT RUBBER			263
7142236	COVER, ACCESS			89
7142237	COVER, MOTOR			89
7142762	CLIP			237
7143481	WINDOW, CANOPY TOP			75, 77
7144089	COVER			99
7145333	BRACKET, RADIO			407
7147433	DECAL, ARM LONG			333, 389
7147833	KIT, SEAL CYLINDER			229
7148146	DECAL, LH ISO			331
7148148	DECAL, RH ISO			331
7148158	DECAL, WARNING			331
7148574	COVER, LH			23
7150798	X-CHANGE, PIN-ON			445
7153297	RING, SLEW			89
7154041	KNOB			105, 119
7154285	BOX,RADIO DELETE			77, 109

Code for disposition of old part number

A -- Use up

B -- Use on other application (See PNI)

C -- File PDR Report with Bobcat Parts Sales

D -- Part Number Error

NUMERICAL INDEX (Cont'd)

Part Number	Description	Was	Code	Page
7154369	FRAME, SWING			103
7154460	SPACER			99
7154697	PIN			99
7155411	NUT			23, 29, 33, 37, 75, 355, 357
7155413	NUT			23, 29
7155449	SPACER			53, 55
7155794	LOUVER, ROUND			357
7156069	TEE			153
7156375	SEAL, RH PANEL			79
7156577	DECAL			333
7157151	DOOR, CAB ASSY			45, 47, 49, 61, 63
7157550	SEAT, OPERATOR SUSPENSION VINYL			41
7157643	PIN, PIVOT			103
7157646	PIN, PIVOT			103
7157647	PIN, PIVOT			103
7157649	PIN PIVOT			95
7157650	PIN PIVOT			95
7158554	SHIELD, CYL			99
7158560	HOSE, HYD			129
7158979	PANEL, ACCESS			23
7159406	CYLINDER, BUCKET			235
7159409	ROD, CYL ASSY			235
7159410	TUBE, CASE CYL			235
7159418	PIN			95
7159419	LINK, ASSY			95
7159423	PIN, PIVOT			103
7159425	O-RING			95, 445
7159475	HOSE, AIR			267
7159514	HOSE, WATER UPPER			263
7160289	HOSE, HYD			127
7160290	TUBELINE, HYD			129
7160291	HOSE, HYD			127
7160294	HOSE, HYD			127
7160383	RIVET, BIRD CAGE			75, 105, 107, 109, 119, 355, 357, 369
7160633	HOSE, AIR			267
7160712	HOSE, HYD			127
7160715	CLAMP, TUBELINE			129
7160716	BRACKET			129
7160717	TUBELINE, HYD			129
7160786	PLATE, FLOOR			29, 33
7160787	PLATE, FLOOR			29, 33
7160789	PLATE, WASHER			29, 33, 37
7160880	DECAL, X-CHANGE			333, 445
7160901	SEAL, BULB			83, 85, 87
7161099	BOLT			89
7161482	HOSE, HYD			121
7161483	HOSE, HYD			121
7161772	PLATE, FLOOR			29, 33

Code for disposition of old part number

A -- Use up

B -- Use on other application (See PNI)

C -- File PDR Report with Bobcat Parts Sales

D -- Part Number Error

NUMERICAL INDEX (Cont'd)

Part Number	Description	Was	Code	Page
7161773	PLATE, FLOOR			29, 33
7161774	PLATE, FLOOR			29, 33
7161916	HARNESS, CONSOLE LH			241
7161920	CABLE, POSITIVE			239
7161922	CABLE, NEGATIVE			239
7162236	SCREW			89, 125
7162323	BOOM, ARM DIPPER			99
7162750	DUCT, AIR			355
7162756	SEAL, BULB			59
7163690	SCREW			55, 237, 407
7163788	HANDLE, LEVER CONTROL			111
7164042	CONSOLE, JOYSTICK			105
7164047	LEVER, CONTROL			111
7164048	LEVER, CONTROL			111
7164061	PIN, HINGE			111
7164261	BUSHING, WEAR			99
7164480	BUSHING, WEAR			231
7164575	CYLINDER, BLADE			229, 381
7164577	TUBE, CASE CYL			229
7165083	HOSE			129
7165097	SHAFT			105, 119
7165333	CLIP			55, 75, 105, 109, 119, 257, 365
7165353	UPPERSTRUCTURE			23
7165562	COVER, LH			105, 119
7165563	COVER, LH			105, 119
7165564	COVER, LH			105, 119
7165566	COVER, RH			75
7165567	COVER, RH			75, 109
7165661	SPACER, TUBE			269
7165662	WASHER			269
7165834	TRACK, RUBBER			443
7165840	HOSE, HYD			125
7165841	HOSE, HYD			125
7165842	HOSE, HYD			125
7165867	HOSE, HYD			121
7166329	PISTON			229
7166468	WINDOW, CAB SIDE FIXED			53, 59
7166593	SUPPORT, BRACKET			103
7166606	TEE			379, 429
7166629	LIGHT, CAB HEADLINER			237
7166859	BRACKET, RADIO			407
7166867	BRACKET			87
7167082	CABLE, NEGATIVE			245, 251
7167095	PANEL, RH			55
7167096	PANEL, RH			55
7167097	PANEL, LH			55

Code for disposition of old part number

A -- Use up

B -- Use on other application (See PNI)

C -- File PDR Report with Bobcat Parts Sales

D -- Part Number Error

NUMERICAL INDEX (Cont'd)

Part Number	Description	Was	Code	Page
7167098	PANEL, LH			53, 55
7167163	BOWL, FUEL			353
7167177	GROMMET WIPER			49
7167576	NUT, WING			131
7167716	DECAL, LOGO			333
7168039	DECAL, WARNING			333, 337
7168072	CONSOLE, HVAC			355
7168280	BRACKET, ALARM			395
7168404	COVER, RH			55
7168604	RESISTOR			357, 369
7168965	COVER, RH			107, 109
7169006	DECAL, STAY CLEAR			329, 333
7169009	DECAL, STAY CLEAR			329, 333
7169014	DECAL, EXIT			331
7169112	SWITCH, ROCKER A/C			367, 369
7169291	DECAL			331
7169360	SEAT, OPERATOR SUSPENSION CLOTH			41
7169719	SUPPORT			105, 107, 109, 119
7169720	MOUNT, ARMREST			105, 107
7169993	PANEL, REAR			55
7170114	SCREW			237
7170287	WINDOW, CAB SIDE FIXED			59
7170288	WINDOW, CAB REAR			59
7170289	WINDOW, DOOR CAB LOWER			61, 63
7170290	WINDOW, DOOR CAB UPPER			61, 63
7170322	STUD, BALL JOINT			87
7170446	PIN, RETAINER			83
7170488	LEVER			53, 55
7170489	LINK			53, 55
7170493	SEAL, BULK, BULB BULK/FT			23
7170501	PISTON, CYL			231
7170505	ROD, CYL			231
7170568	BRACKET			269
7170632	HOOK, COAT			55
7170706	CONTAINER, STORAGE			29, 33, 37
7170709	HINGE, COVER			29, 33, 37
7170762	PANEL, RH			75
7170765	NUT			29, 33, 37, 127
7170799	SEAL, LATCH			53, 55
7170871	LATCH, DOOR REAR			87
7170872	BRACKET, LATCH			87
7170873	LATCH, HANDLE			87
7170944	STRIKER, LATCH DOOR			87

Code for disposition of old part number

A -- Use up

B -- Use on other application (See PNI)

C -- File PDR Report with Bobcat Parts Sales

D -- Part Number Error

NUMERICAL INDEX (Cont'd)

Part Number	Description	Was	Code	Page
7170962	CYLINDER, ARM			227
7170965	ROD, CYL			227
7170966	TUBE, CASE CYL			227
7171264	SPACER, TUBE			105, 119
7171340	PISTON, CYL			227
7171356	SEAL, DUCT			355
7171397	CONTAINER, STORAGE			75
7171741	HARNESS, CAB			237
7171777	HARNESS, WIPER			237
7171866	SEAL, BULK/FT			59
7172554	KIT, BEACON LIGHT			325
7172972	HARNESS, BEACON/STROBE			325, 435
7172974	KIT, STROBE LIGHT			435
7172977	HARNESS, CANOPY			325, 435, 441
7173069	HINGE, COVER			83
7173070	HINGE			83
7173078	LINK			83
7173084	REAR DOOR			87
7173146	CANOPY, W/A			75
7173148	KIT, MIRROR			391
7173287	HOLDER			55
7173308	KIT, GUARD CANOPY			439
7173341	GROMMET			407
7173477	TUBELINE, HYD			149, 153
7173478	KIT, GUARD LIGHT	7173478	A	441
7173482	HARNESS, LIGHTS	7173482	A	441
7173483	GUARD, CANOPY			439
7173484	GUARD, CAB			437
7173584	KIT, GUARD CAB			437
7173770	BRACKET			239, 269
7173947	CONNECTOR			267
7173948	HOSE, DRAIN OIL ENG			267
7173949	CONNECTOR			267
7174035	KIT, APPS SPECIAL			431
7174036	GUARD, CAB			431
7174037	PLATE			431, 433
7174038	BRACKET			431, 433
7174043	MOUNT, LOAD ISOLATOR ASSY			45, 47, 49
7174256	BRACKET, VALVE			379
7174312	DECAL, OPERATION			333, 345
7174321	CONTAINER, STORAGE			355
7174361	SEAL, BULK			61, 63
7174507	MOUNT, WINDOW			53, 55
7174508	SEAL, BULK/FT			55
7174613	TEE			121, 135
7174807	ELBOW			135

Code for disposition of old part number

A -- Use up

B -- Use on other application (See PNI)

C -- File PDR Report with Bobcat Parts Sales

D -- Part Number Error

NUMERICAL INDEX (Cont'd)

Part Number	Description	Was	Code	Page
7174826	BRACKET			107
7174835	PIN			131
7175050	SCREW			63
7175504	SEAL, ENG			79
7175672	HOSE, HYD FORMED			135
7175737	TUBELINE, HYD			121
7175738	TUBELINE, HYD			121
7176099	FILTER, AIR FRESH 10			365
7176171	INSULATION, PANEL LH			79
7176501	HOLDER, MANUAL			55
7176533	HARNESS, SECURITY RFID			405
7176545	MOUNT			405
7176604	U-BOLT			391
7177015	SCREW			107
7177212	GASKET			353
7177516	FITTING, GREASE			91
7177735	STUD, BALL JOINT			65, 69, 87
7177852	COVER, RH			83, 85
7177959	SEAL, BULK BULB			29, 33, 37
7178178	DECAL, WARNING			431, 433
7178215	DECAL, WARNING			333, 431, 433
7178216	DECAL, WARNING			331
7178637	BOX MANUAL			29, 33, 37
7178689	ROLLER			65
7178702	BUMPER, RUBBER			53, 55, 65, 69
7178708	COVER, HANDLE			53, 55
7178918	BRACKET			245, 251
7178919	BRACKET			245, 251
7179008	SCREW, PLASTIC			257
7179045	WINDOW, CAB LOWER			65, 69
7179100	HEADLINER			55
7179320	GAS SPRING			65
7179422	PANEL, ENG			23
7179579	HOSE, HYD			121
7180021	BRACKET, MIRROR			391
7180273	KEY, KLAC			343
7180305	SEAT PROMEK			29
7180309	WINDOW, CAB TOP			53, 59
7180565	VALVE, PEDAL DUAL			139, 143, 147, 181
7180569	INSULATION, PANEL ENG			79
7180570	INSULATION, ENG			79
7180571	INSULATION, UPPERSTRUCTURE			79
7180572	INSULATION, UPPERSTRUCTURE			79

Code for disposition of old part number

A -- Use up

B -- Use on other application (See PNI)

C -- File PDR Report with Bobcat Parts Sales

D -- Part Number Error

NUMERICAL INDEX (Cont'd)

Part Number	Description	Was	Code	Page
7180573	INSULATION, UPPERSTRUCTURE			79
7180574	INSULATION, UPPERSTRUCTURE			79
7180575	INSULATION, UPPERSTRUCTURE			79
7180576	INSULATION, UPPERSTRUCTURE			79
7180577	INSULATION, UPPERSTRUCTURE			79
7180578	INSULATION, UPPERSTRUCTURE			79
7180579	INSULATION, UPPERSTRUCTURE			79
7180580	INSULATION, LH COVER			79
7180581	INSULATION, SIDE			79
7180618	SEAL, CAB			53
7180711	SEAL, BULK, WINDOW			55
7181010	BRACKET			431, 433
7181011	BRACKET			431, 433
7181057	GROMMET			111
7181121	DECAL, APPS SPECIAL			333, 431, 433
7181127	DECAL, GUARD TOP			333, 439
7181128	DECAL, GUARD TOP			333, 437
7181142	BRACKET, SUPPORT			107
7181216	PIN, PIVOT X-CHANGE	7151836	A	97, 445
7181284	HARNESS, BOOM			339
7181285	KIT, CONTROL ATTACH			339
7181465	SEAL, BULK / FT			59
7181540	SEAL, BULK / FT			59
7181592	KIT, IGN KEYLESS			375
7181884	INSULATION, BLOCK			79
7182064	DECAL, LH ISO			331, 339
7182065	DECAL, RH ISO			331, 339
7182464	CLIP			53, 55
7182732	INSULATION			53, 55
7182942	PLUG			77, 109, 407
7182957	SPACER			53, 55
7183441	BUSHING, PIVOT			23
7183443	PIN, PIVOT			103
7183676	MOUNT			339
7183679	HARNESS, BOOM			339
7183687	PIN			99
7183846	DECAL, OPERATION			333, 339
7183900	DECAL, CAPACITY LIFT			389
7183902	DECAL, CAPACITY LIFT			329

Code for disposition of old part number

A -- Use up

B -- Use on other application (See PNI)

C -- File PDR Report with Bobcat Parts Sales

D -- Part Number Error

NUMERICAL INDEX (Cont'd)

Part Number	Description	Was	Code	Page
7184334	FITTING, ELBOW			387
7184810	COUNTERWEIGHT			27
7185152	KIT WINDOW			65
7185275	FITTING, HYD TEE			383
7185878	INSULATION, FLOOR			79
7185879	INSULATION, PANEL ENG			79
7185881	INSULATION, SIDE			79
7185882	INSULATION, SIDE			79
7185883	INSULATION, RADIATOR			79
7185935	DECAL, WARNING			331
7186072	NUT			37
7186077	CLIP	7020390	A	25
7186078	WASHER			25
7186708	DECAL, SWITCH IGN			331, 357, 377
7186792	KIT, EXTINGUISHER FIRE			347
7187101	BRACKET, MOUNTING			347
7187102	BRACKET, MOUNTING			347
7187363	COVER, RH			107
7187703	BRACKET, RELAY CENTER			245
7187704	PLATE, SUPPORT			245, 251
7187708	HOSE, FUEL			273
7187709	HOSE, FUEL			273
7187712	TANK, FUEL			273
7187716	HOLDER			355, 357
7187718	CAB, W/A			45, 49, 55
7187733	MOUNT, SEAT			29
7187734	BRACKET, SEAT BELT			29, 33, 37
7187736	INSULATION			75, 77
7187738	HOLDER, CABLE			113
7187744	BRACKET, CHANNEL SIDE			25, 273
7187750	LEVER, THROTTLE			113
7187751	BRACKET, LEVER			113
7187755	WASHER			75, 77
7187757	BRACKET, TANK FUEL			273
7187758	BUMPER, RUBBER			273
7187766	BRACKET, SEAT BELT			29, 33, 37
7187777	WINDOW, CAB SLIDING			53, 59, 73
7187893	BRACKET, THROTTLE			115
7187895	LINK			115, 117
7188078	HARNESS, VALVE			245
7188090	DOOR, STORAGE			29, 33, 37
7188793	PIN			95

Code for disposition of old part number

A -- Use up

B -- Use on other application (See PNI)

C -- File PDR Report with Bobcat Parts Sales

D -- Part Number Error

NUMERICAL INDEX (Cont'd)

Part Number	Description	Was	Code	Page
7188836	FILTER, OIL HYD ASSY			131, 157, 245, 251
7188857	TUBELINE, HYD			149, 153
7188858	TUBELINE, HYD			149, 153
7188861	CLIP, HOSE			139, 143
7188862	CLIP, HOSE			139, 143
7188867	VALVE, CONTROL			121, 127, 203, 245, 251
7188870	MOUNT, VALVE			127
7188871	COVER			127
7188872	SEAL, HOSE			127, 149, 153
7188873	COVER			127
7188874	BRACKET			127
7188875	BRACKET			127
7188877	FITTING, HYD CONNECTOR			131
7188883	CYLINDER, SWING			121, 233
7188886	FITTING, HYD ELBOW			149, 153
7188894	TUBE, CASE CYL			233
7188908	ROD, CYL			233
7188917	INLET, PUMP			135
7188966	TANK, WATER COOLANT			263
7189004	MOUNT, RADIATOR			25, 131, 263
7189015	MOUNT, ENG			269
7189016	MOUNT, ENG			269
7189020	TUBELINE, HYD			121
7189074	BRACKET, COVER			25
7189075	BRACKET, COVER			25
7189078	VALVE, LOCK LOAD			379, 383, 385
7189205	VALVE, BUILDUP			131
7189256	TUBELINE, HYD			131, 341
7189258	TUBELINE, HYD			131, 341
7189270	BRACKET			267
7189423	BRACKET			415, 419
7189449	BRACKET, COVER			23
7189891	COVER, LATCH			61, 63
7190517	MOTOR, DRIVE HYD TRAVEL			125, 191
7190914	HOSE, HYD			149, 153
7190916	HOSE, HYD			149, 153
7190947	MOUNT			131
7191035	LENS, REFLECTIVE			409
7191228	TUBELINE, HYD			139, 143
7191229	TUBELINE, HYD			139, 143
7191279	BRACKET			269
7191282	FITTING, HYD TEE			131, 135
7191283	HOLDER			135
7191284	BRACKET, FILTER			135
7191285	HOSE, HYD FORMED			131

Code for disposition of old part number

A -- Use up

B -- Use on other application (See PNI)

C -- File PDR Report with Bobcat Parts Sales

D -- Part Number Error

NUMERICAL INDEX (Cont'd)

Part Number	Description	Was	Code	Page
7191419	FITTING, HYD CONNECTOR			131
7191708	PIN, PIVOT			101
7191709	PIN, PIVOT			101
7191805	BUSHING, PIVOT			23
7192053	BUSHING, WEAR			103
7192117	BRACKET, TANK FUEL			273
7192212	BRACKET, LATCH			65
7192270	HOSE, HYD			121
7192287	BOLT			109
7192355	HOLDER			127, 139, 143
7192356	COVER, PLATE			245, 251
7192357	GROMMET			245, 251
7192417	LINK, ASSY			83
7192507	HARNESS, JUMPER			245, 251
7192877	LINK			95
7193014	EXCHANGER, OIL COOLER			131
7193055	VALVE, JPS			143, 165
7193119	PLUG			269
7193164	SHIM			103
7193425	HOLDER, RELAY			395
7193426	MOUNT, FILTER			23
7193481	HARNESS, AUX SECONDARY			415, 419
7193541	DRAIN, WATER SEAT			365
7193556	HARNESS, ALARM MOTION			395
7193565	HOSE HEATER			355, 357
7193576	FITTING			131
7193577	FITTING, HYD TEE			131
7193802	BELT, FAN			21, 263
7194159	GASKET, EXHAUST			267
7194194	MUFFLER, EXHAUST			267
7194195	PIPE, TUBE EXHAUST			267
7194325	HOSE, HYD			121
7194326	HOSE, HYD			121
7194327	HOSE, HYD			121
7194328	HOSE, HYD			121
7194706	PLATE, LATCH			65
7194799	EXCHANGER, WATER RADIATOR			263
7194800	MOUNT, RADIATOR			131, 263
7194839	SCREEN, DEBRIS			25
7194930	TREAD, SAFETY			45, 47, 49
7194969	BRACKET			25
7195021	BRACKET			25
7195050	TREAD, SAFETY			75, 77
7195206	HOSE, HYD			127

Code for disposition of old part number

A -- Use up

B -- Use on other application (See PNI)

C -- File PDR Report with Bobcat Parts Sales

D -- Part Number Error

NUMERICAL INDEX (Cont'd)

Part Number	Description	Was	Code	Page
7195369	BRACKET, LIGHT WORKING			99
7195526	SHROUD, FAN			263
7195838	HARNESS, ENG			239
7195840	HARNESS, FRAME			245
7196072	BRACKET, COVER			83, 85
7196490	HINGE, DOOR REAR			87
7196521	LINK, ASSY			97
7196565	HOSE, HYD			139, 143
7196568	HOSE, HYD			139, 143
7196574	HOSE, HYD			139, 143
7196575	HOSE, HYD			139
7196578	HOSE, HYD			139, 143
7196580	HOSE, HYD			147
7196581	HOSE, HYD			147
7196582	HOSE, HYD			147
7196583	HOSE, HYD			139, 143
7196585	HOSE, HYD			139, 143
7196586	HOSE, HYD			139, 143
7196591	PLATE, HOLDER			87
7196714	HOSE, HYD			383
7196735	HOSE, HYD			125
7196820	HOSE, HYD			383
7196834	BRACKET, COVER			83, 85
7196872	INSULATION, PANEL ENG			79
7196875	INSULATION, COUNTERWEIGHT			79
7196876	INSULATION, UPPERSTRUCTURE			79
7196886	BRACKET, VALVE			379
7196921	TUBELINE, HYD			379
7196922	HOSE, HYD			379
7196932	FITTING, HYD TEE			149
7197125	HOSE, HYD			379
7197401	PLUG, RADIATOR			263
7197551	PULLEY			263, 291
7197552	HOSE, HYD			379
7197553	HOSE, HYD			379
7197772	HINGE, DOOR REAR			87
7198075	BRACKET, FILTER			273
7198448	COUNTERWEIGHT			329
7198629	HOSE, HYD			139
7198633	HOSE, HYD			147
7198641	HOSE, HYD			143
7198644	HOSE, HYD	7198643		143
7198645	HOSE, HYD			143
7198646	HOSE, HYD			143
7198650	PLATE, BRACE			23
7198838	HARNESS, SWITCH			245, 251

Code for disposition of old part number

A -- Use up

B -- Use on other application (See PNI)

C -- File PDR Report with Bobcat Parts Sales

D -- Part Number Error

NUMERICAL INDEX (Cont'd)

Part Number	Description	Was	Code	Page
7199006	SPROCKET, MACHINED			89
7199173	MAT, FLOOR			45, 49
7199174	MAT, FLOOR CANOPY			75
7199664	HANDLE, OPERATING			105, 119
7199673	FRAME OPERATOR W/A			29, 33, 37, 105
7199713	GUARD, FAN			263
7199903	KIT, SEAL			233
7200226	SPACER			263
7200417	INSULATION, DOOR REAR			79
7200418	INSULATION, DOOR REAR			79
7200419	INSULATION, DOOR REAR			79
7200420	INSULATION, DOOR REAR			79
7200421	INSULATION, COVER RH			79
7200422	INSULATION, COVER RH			79
7200423	INSULATION, COVER RH			79
7200518	INSULATION, COVER RH			79
7200738	HOSE, HYD			415
7200747	DECAL, COVER	7178412	A	333
7200749	DECAL, LOGO BOBCAT			333
7200829	KIT HOSE AIR BLEED			373
7200895	CLAMP, PIPE			267
7200897	HOSE, HYD			149, 153
7200990	DECAL, DISCONNECT			331
7201238	HARNESS, AUTO IDLE			245, 251
7201281	HOSE, HYD			147
7201282	HOSE, HYD			147
7201368	HOSE OIL			373
7201446	KIT, SEAL			227, 231
7201622	DECAL, CAPACITY LIFT			329, 389
7201735	HOSE, WATER LOWER			263
7201736	PLATE, HOLDER			263
7201816	BRACE			87
7201929	COVER			89
7202027	HOSE, HYD			415, 419
7202276	HOSE, HYD			121
7202286	HOSE, HYD			147
7202292	HOSE, HYD			131
7202311	DECAL, FILL LINE			331

Code for disposition of old part number

A -- Use up

B -- Use on other application (See PNI)

C -- File PDR Report with Bobcat Parts Sales

D -- Part Number Error

NUMERICAL INDEX (Cont'd)

Part Number	Description	Was	Code	Page
7202312	HOSE, HYD			139, 143
7202313	HOSE, HYD			139, 143
7202314	HOSE, HYD			139, 143
7202315	HOSE, HYD			139, 143
7202316	HOSE, HYD			147
7202414	GAS SPRING			87
7202690	SEAL, FOAM			45, 47, 49
7202857	O-RING			267
7203445	FAN			263
7203629	COVER, SIDE			25
7203630	COVER, SIDE			25
7203722	KIT, ARM LONG			389
7204016	SPACER			131
7204030	KIT, COUNTERWEIGHT			329
7204057	TUBELINE, HYD			149, 153
7204078	KIT, CAB			49, 55
7204089	HOSE, HYD			139
7204093	HOSE, HYD			139
7204094	HOSE, HYD			143
7204095	HOSE, HYD			143
7204137	HOSE, HYD			127, 341
7204139	HOSE, HYD			415
7204140	HOSE, HYD			415
7204141	HOSE, HYD			415, 419
7204142	HOSE, HYD			415, 419
7204143	HOSE, HYD			121
7204258	TUBELINE, HYD			149, 153
7204395	HOSE, HYD			149, 153
7204459	SWITCH, DISCONNECT			245, 251
7204476	MANIFOLD, HYD ASSY			121, 127, 147, 163, 245, 251
7204641	KIT, ALARM MOTION			395
7204767	TUBELINE, HYD			149, 153
7205558	SEAL, COVER			83, 85
7205739	KIT, HEATER CAB			355
7205956	IDLER, ASSY			91
7206039	HEAD, CYL HYD			231
7206142	KIT, DIRECT TO TANK			341
7206149	DECAL, CAPACITY LIFT			329
7206150	DECAL, CAPACITY LIFT			329, 389
7206476	CYLINDER, BOOM			231
7206477	TUBE, CASE CYL			231
7206488	COVER, RH			109
7206870	ARM, DIPPER W/A LONG EXC			95, 389
7206877	ARM, DIPPER W/A EXC			95

Code for disposition of old part number

A -- Use up

B -- Use on other application (See PNI)

C -- File PDR Report with Bobcat Parts Sales

D -- Part Number Error

NUMERICAL INDEX (Cont'd)

Part Number	Description	Was	Code	Page
7206885	DUCT, AIR			357
7207339	BRACKET			95, 99
7207340	BRACKET			99
7207341	TUBELINE, HYD			129
7207342	TUBELINE, HYD			129
7207809	KIT, LOAD HOLD BOOM			383
7207811	KIT, LOAD HOLD ARM			379
7208115	DECAL, SOUND			333
7208340	SCREW			29, 33, 37
7208563	HOSE, HYD			121
7208574	HOSE, HYD			121
7208577	HOSE, HYD			121
7209325	PUMP, HYD PISTON			135, 159
7209896	GAS SPRING			65
7209964	WINDOW, CAB FRONT			69
7210015	SEAL, WINDOW			69
7210303	STRIKER, LATCH WINDOW			69
7210694	MOUNT, ROLLER			69
7210696	MOUNT, ROLLER			69
7210712	CONSOLE, CANOPY			77
7210713	CONSOLE, CAB			357, 369
7210714	CONSOLE, DISPLAY			257
7210715	CONSOLE, DISPLAY STANDARD			257, 357
7210716	CONSOLE, DISPLAY DELUXE			257, 357
7210795	MOUNT, WINDOW			69
7210811	GASKET, WASHER			69
7210819	GASKET, ROLLER			69
7210820	PEDAL ASSY RH			111
7210821	PEDAL ASSY LH			111
7210822	GASKET, MOUNT			69
7210929	SPACER, BRACKET			69
7211550	CONTAINER, STORAGE			251
7211825	HOSE, HYD FORMED			131
7211826	HOSE, HYD FORMED			131
7211827	HOSE, HYD FORMED			131
7212223	ARM, DIPPER W/A			95
7212224	HOSE, HYD			129
7212225	HOSE, HYD			129
7212726	ROLLER, WINDOW			69
7212750	UNDERCARRIAGE			89
7212763	ARM, DIPPER W/A LONG			95
7212764	HOSE, HYD			129
7212765	HOSE, HYD			129
7212834	HOSE, HYD			125

Code for disposition of old part number

A -- Use up

B -- Use on other application (See PNI)

C -- File PDR Report with Bobcat Parts Sales

D -- Part Number Error

NUMERICAL INDEX (Cont'd)

Part Number	Description	Was	Code	Page
7212909	KIT, HEATER BLOCK ENG			327
7212911	HEATER, BLOCK ENG PLUG SOFT			327
7212912	CORD, HEATER BLOCK ENG			327
7212913	BRACKET			327
7213043	SPACER, LATCH UPPER			69
7213044	SPACER, LATCH LOWER			69
7213572	STRIKER, LATCH WINDOW			69
7213698	GAS SPRING			69
7214144	LINK, WINDOW FRONT			69
7214146	PIN			69
7215172	SCREW, MACHINE			69
7215175	WASHER, FLAT			69
7215319	HOSE, HYD			125
7215489	SEAL, BULK/FT		A	59
7217223	SEAL, WINDOW			59
7217450	MUFFLER, PURIFIER			397
7218095	CONSOLE, W/A			119
7218096	FRAME OPERATOR W/A			119
7218230	LOUVER, ROUND			357, 369
7218789	CAP, OVERFLOW COOLANT	6675551	A	263
7219299	MOTOR, SLEW			121, 135, 147, 197
7219755	PUMP, PRIMER HAND			273
7220029	FRAME, WINDOW FRONT			65
7220732	JOYSTICK, RH			139, 143, 177, 245
7220733	JOYSTICK, LH			139, 143, 147, 171, 241
7221147	SEAT BELT 3 INCH	6685747	A	413
7221260	HARNES, LOAD MOMENT			387
7222013	LINK			61, 63
7222770	HOUSING, BASE			77, 365
7222771	COVER, HVAC			365
7222772	CORE, HEATER			365
7222791	FILTER, AIR RECIRCULATING			365
7223129	SCREW			251
7223217	TUBE, FUEL LINE ASSY			273
7223420	KIT, WINDOW FRONT W/ LINK			69
7223423	KIT, WINDOW FRONT W/O LINK			69
7223483	CONSOLE, DISPLAY			257
7223698	PULLEY, FAN	7197561	A	263

Code for disposition of old part number

A -- Use up

B -- Use on other application (See PNI)

C -- File PDR Report with Bobcat Parts Sales

D -- Part Number Error

NUMERICAL INDEX (Cont'd)

Part Number	Description	Was	Code	Page
7223878	HOSE, HYD			125
7224166	DECAL, HVAC			357, 369
7224664	EXTINGUISHER, FIRE			347, 349
7224665	BRACKET, EXTINGUISHER FIRE			347
7224878	COVER, FILTER PARTICULATE			365
7224887	MOUNT, ENG			269
7225291	DECAL, E25			333
7225425	HEATER, CAB			357, 365
7225809	HARNESS, CAB			237
7226030	PLATE			369
7226756	HOUSING, MACHINED			269
7226759	PLATE, FLYWHEEL			269
7226762	FLYWHEEL, ENG ASSY			269
7227158	DECAL, CAPACITY LIFT			333
7227161	DECAL, CAPACITY LIFT			329, 333
7227164	DECAL, CAPACITY LIFT			329, 333, 389
7227780	MOUNT, ARMREST			109, 119
7228214	PLATE, SLIDE, FINAL			89
7228286	KIT, AUX 2ND			415
7228413	DECAL, THROTTLE			331
7228414	DECAL, THROTTLE			331
7228595	KIT, ANTENNA AND SPEAKERS			407
7228598	PLUG			237
7229098	KIT, RADIO			407
7229248	COVER, HVAC			77
7229539	LIGHT, CAB HEADLINER			237
7230824	ADHESIVE, NON- PRIMER			53, 55, 59, 61, 63, 65, 75, 77
7231788	PLATE, STOP			309
7232300	HEADLINER			55
7232334	SPRING, COMPRESSION			427
7232439	MAT, FLOOR			47
7232440	MAT, FLOOR CANOPY	7238810	A	77
7232486	SWITCH, FAN			357, 369
7232548	HARNESS, CAB			237
7232745	VALVE, PROPORTIONAL	7010626	A	205, 223
7232868	HEADLINER			53
7232997	VALVE, RELIEF			427
7233205	EDGE, CUTTING WELD-ON 55"			101
7233301	BLADE, EXC			381

Code for disposition of old part number

A -- Use up

B -- Use on other application (See PNI)

C -- File PDR Report with Bobcat Parts Sales

D -- Part Number Error

NUMERICAL INDEX (Cont'd)

Part Number	Description	Was	Code	Page
7234121	HARNESS, CAB DLX			257
7234503	HARNESS, CONSOLE LH			243
7234504	HARNESS, VALVE			251
7234885	BLADE, EXC			101
7235522	BRACKET, THROTTLE			117
7235664	PLUG			427
7235667	PLUG, SOCKET			427
7235836	TANK, HYD			135
7236263	GROMMET			365
7236279	MAT, FLOOR			29, 33, 37
7236492	DECAL			357
7237068	BRACKET	7239093	A	99
7237649	FOAM, HVAC			79, 357
7238019	DECAL, SERVICE	7188748	B	331
7238472	DECAL, FUSE	7172409		331
7238484	KIT, IGN KEYLESS			377
7239170	LATCH, HANDLE			29, 33, 37
7239202	MOUNT, SEAT			33, 37
7239274	CAM, LEVER			29, 33, 37
7239912	HOSE, HYD ASSY			125
7239913	HOSE, HYD ASSY			125
7240091	SEAL, FOAM			365
7240094	CLAMP, HOSE			365
7240095	BLOWER, HEATER-A/C			365
7240130	INSULATION, HEATER			365
7240759	SCREW			365
7240762	HARNESS, HEATER			365
7241140	LIGHT, STROBE	7219903	A	435
7241172	CAB, W/A			47, 49, 53
7241299	CANOPY, W/A			77
7241303	SEAT, OPERATOR BUCKET VINYL			33, 37
7241307	CONSOLE, RH			109, 251, 357
7241308	CONSOLE, RH			77
7241490	UPPERSTRUCTURE			23
7241525	BRACKET, HOLDING			85
7241531	HINGE, COVER			85
7241534	HINGE, COVER			85
7241724	PLATE, FLOOR			33
7242179	PLATE			415, 419
7242821	BRACKET, DISCONNECT			251
7242822	BRACKET, HARNESS			251
7242829	BRACKET, BLOCK FUSE			251
7242830	BRACKET, WASHER BOTTLE			251
7243364	TRACK, RUBBER			443

Code for disposition of old part number

A -- Use up

B -- Use on other application (See PNI)

C -- File PDR Report with Bobcat Parts Sales

D -- Part Number Error

NUMERICAL INDEX (Cont'd)

Part Number	Description	Was	Code	Page
7243425	BUMPER, RUBBER	7178703	A	55
7243563	DECAL, WARNING	7120579	A	331
7243758	DECAL, THROTTLE			357
7243882	COUPLER GEITH QC35			399
7244737	KIT, RECLINING LATCH			41
7244914	FITTING			321, 323
7246261	HARNESS, ALARM MOTION			395
7246778	COUPLER	6676560	A	415, 419
7246779	COUPLER, FF MALE			319, 423
7246780	COUPLER, FF MALE	6676444	A	129
7246792	COUPLER, FF FEMALE	6676559	A	415, 419
7246793	COUPLER, FF FEMALE			319, 423
7246794	COUPLER, FF FEMALE	6676446	A	129
7247072	COVER	7174256	B	383
7247073	TUBELINE, HYD	7196470	B	383
7247074	TUBELINE, HYD	7196618	B	383
7248464	PLUG			95, 343, 389
7248465	PLUG			95, 343, 389
7249026	DECAL			333
7249237	DECAL			333
7249959ENGB	OM, E25 EXC	7249959		7
7250480	SHACKLE			387
7250565	HEATER KIT			357
7250873	LINK, ASSY			387
7251370	UNDERCARRIAGE			89
7251689	PAINT, ORANGE QT 6			1
7251690	PAINT, ORANGE SPRAY CAN 6			1
7251691	PAINT, ORANGE .5 OZ			1
7251692	PAINT, CHARCOAL QT 6	6902234	A	1
7251693	PAINT, CHARCOAL SPRAY CAN 6	6902229	A	1
7251694	PAINT, CHARCOAL .5 OZ	6736641	A	1
7251695	PAINT, WHITE QT 6	6902235	A	1
7251701	PAINT, WHITE SPRAY CAN 6	6902230	A	1
7251702	PAINT, WHITE .5 OZ	6736642	A	1
7251704	PAINT, RED .5 OZ	6736645	A	1
7251705	PRIMER, QT 6	6902236	A	1
7251706	PRIMER, SPRAY CAN 6	6902232	A	1
7252030	TUBELINE, HYD	7162364	A	129
7252031	TUBELINE, HYD	7162356	A	129

Code for disposition of old part number

A -- Use up

B -- Use on other application (See PNI)

C -- File PDR Report with Bobcat Parts Sales

D -- Part Number Error

NUMERICAL INDEX (Cont'd)

Part Number	Description	Was	Code	Page
7252032	HOSE, HYD ASSY	7160713	A	129
7252033	HOSE, HYD ASSY	7160714	A	129
7252034	HOSE, HYD ASSY	7165082	A	129, 389
7252035	HOSE, HYD ASSY	7193555	A	129, 389
7252518	DECAL, GREASE REMOTE	7200532	B	333
7253205	STARTER			261
7254120	NUT, CLIP			25, 37
7254343	UPPERSTRUCTURE			23
7254370	PLATE, FLOOR			37
7254372	PLATE, FLOOR			37
7254373	PLATE, FLOOR			37
7254374	PLATE, FLOOR			37
7255243	DECAL, THROTTLE			331, 357
7255741	PLATE, FLOOR			37
7256307	HOSE, HYD ASSY	7219982	A	415, 419
7256347	LENS, REFLECTIVE	6697797	A	435
7257738	VALVE, CONTROL			203
7257739	TUBELINE, HYD ASSY			429
7257740	TUBELINE, HYD ASSY			429
7257741	TUBELINE, HYD ASSY			429
7257870	ROLLER			93
7257871	IDLER, TRACK RUBBER			91
7258396	UNDERCARRIAGE			89
7259002	CAGE, NUT			25
7259115	U-BOLT			351
7259342	BRACKET	7247071	A	383
7259722	O-RING			429
7260940	CONTROLLER, PRIMARY	7024906	A	251
7266241	SCREEN, DEBRIS			403
7266242	PLUG			403
7266705	PIN, LOCK			399
7266706	PIN, LOCK			399
7266707	LOCK			399
7266708	PIN, ROLL			399
7266709	LINK			399
7266710	STOP			399
7266712	CYLINDER, HYD CLAMP			399
7266713	ASSY, SPRING			399
7266714	BRACKET, STOP			399
7266717	PIN, ROLL			399
7266718	PIN, ROLL			399
7266719	SPRING, EXTENSION			399
7266720	WEDGE			399
7267121	PLUG			427
7268002	HOSE, HYD ASSY			419

Code for disposition of old part number

A -- Use up

B -- Use on other application (See PNI)

C -- File PDR Report with Bobcat Parts Sales

D -- Part Number Error

NUMERICAL INDEX (Cont'd)

Part Number	Description	Was	Code	Page
7268308	KIT, EXTINGUISHER FIRE			349
7269473	VALVE, 2ND AUX	7010128	A	415, 425
7269858	BATTERY WET 540 CCA	6670251	A	1, 245, 251
7270387	SCREW	6677837		45, 47
7270886	SHIELD	7158551	A	99
7274498	CLAMP BATTERY	7135397	A	245, 251
7274945	DECAL LIFT CAPACITY			329
7274946	DECAL LIFT CAPACITY			329
7275319	MANIFOLD GEITH X CHG			403
7277426	FITTING, HYD TEE			153
7278823	SWIVEL, HYD ASSY			189, 381
7278992	MOTOR, WIPER			49
7278993	ARM, WIPER			49
7278994	BLADE, WIPER			49
7278995	SCREW			49
7278996	GASKET			49
7278997	WASHER			49
7278998	NUT, HEX			49
7278999	NUT, CAP			49
7279000	GASKET			49
7279001	WASHER			49
7279002	NUT, HEX			49
7279003	NUT, CAP			49
7279004	NUT, FLANGE			49
7279030	PLATE, AUXILIARY			319, 423
7279969	VALVE, 2ND AUX			419, 427
7280038	ORIFICE			403
7280129	EXTINGUISHER, FIRE			351
7280733	COUPLER IRC 1/2			321
7280734	COUPLER IRC 3/4			321
7280735	COUPLER IRC 3/8			321
7280736	FITTING			321, 323
7280738	FITTING			321
7280741	COUPLER 1/2			321
7280743	VALVE BLADE LHV			381
7280755	COUPLER 3/4			323
7281191	BRACKET, EXTINGUISHER FIRE			351
7281193	BRACKET, EXTINGUISHER FIRE			351
7281258	CONTROL THROTTLE	6698640	A	245, 251
7281986	FITTING, HYD STR BLKHD			423
7281989	MOUNT, COUPLER	7207343	A	415, 419
7281993	HOSE, HYD ASSY			319, 423

Code for disposition of old part number

A -- Use up

B -- Use on other application (See PNI)

C -- File PDR Report with Bobcat Parts Sales

D -- Part Number Error

NUMERICAL INDEX (Cont'd)

Part Number	Description	Was	Code	Page
7281994	HOSE, HYD ASSY			319, 423
7282120	KIT, 2ND AUX PRESSURE RELEASE			429
7282154	WASHER			91
7282159	HOSE, HYD ASSY			319, 423
7282163	HOSE, HYD ASSY			319, 423
7282172	DECAL			341
7282201	KIT, SEAL	7031573	A	401, 403
7282204	KIT, SEAL	7031574	A	401, 403
7282333	TUBELINE, HYD	7207344	A	415, 419
7282334	TUBELINE, HYD	7207345	A	415, 419
7282514	KIT, MCV PRESSURE RELEASE			429
7282693	CLAMP, SHIELD	7162368	A	99
7283448	PLATE AUX			321
7283454	FITTING			321
7283455	FITTING			321, 323
7283507	HOSE HYDRAULIC ASSY			321, 323
7283518	PLATE AUXILIARY			323
7284730	PLATE AUX			323
7284963	PLUG			321
7284966	PLUG			321
7284967	PLUG			321
7285154	FITTING HYD TEE			381
7285155	HOSE HYD ASSY			381
7285157	HOSE HYD ASSY			381
7285276	NUT HEX			381
7285786	FITTING HYD ELBOW 90			381
7285958	FITTING HYD CONNTECTOR			381
7285959	FITTING HYD CONNECTOR			381
7286379	SECTION VALVE			203, 219
7286428	HOSE HYDRAULIC ASSY			321, 323
7287030	SENSOR, FUEL	7179838	A	241, 243, 273
7288362	HOSE, HYD ASSY			419
7288363	HOSE, HYD ASSY			419
7295371	COUPLER FEMALE 1/2			323
7295372	COUPLER FEMALE 3/4			323
7295739	DECAL, AUX 1ST			321, 423
7295740	DECAL, AUX 2ND			321, 423
7295741	DECAL, DRAIN			321
7297197	UNDERCARRIAGE			89
7297395	KIT, AUX 2ND			419
7298086	TENSIONER, TRACK ASSY			91
7298087	SHAFT, ROD CYL			91

Code for disposition of old part number

A -- Use up

B -- Use on other application (See PNI)

C -- File PDR Report with Bobcat Parts Sales

D -- Part Number Error

NUMERICAL INDEX (Cont'd)

Part Number	Description	Was	Code	Page
7298190	TRACK, RUBBER	7153296	A	89, 443
7301068	HANDLE, SWITCH			245, 251
7301184	SHIELD			101, 381
7301407	BRACKET, CHANNEL SIDE			25
7301409	BRACKET, CHANNEL SIDE			25
7301410	BRACKET, CHANNEL SIDE			25, 273
7301776	COVER, BOTTOM	7158972	A	23
7301777	COVER, BOTTOM	7199851	A	23
7301999	UPPERSTRUCTURE			23
7303216	KIT, AUX			319
7303217	KIT, AUX			319
7303219	KIT 2ND AUX SA			423
7303220	KIT 2ND AUX LA			423
7303615ENUS	INSTRUCTIONS			429
7304398	DECAL LIFT			333
7304399	DECAL LIFT			333
7304400	DECAL LIFT			333
7304861	INSTRUCTIONS			423
7305600	BRACKET EXTINGUISHER FIRE	7256165	A	349
7305798	MIRROR KIT			393
7305843	PAINT ORANGE .5 OZ			1
7305844	PAINT ORANGE SPRAY CAN 6			1
7305845	PAINT ORANGE QT 6			1
7306371	CABLE BATTERY POSITIVE			239
7306996	VALVE RELIEF			371
7306997	VALVE RELIEF			371
7306998	INSTRUCTIONS			371
7306999	KIT HYD			371
7307186	ACTUATOR THROTTLE	7234210	A	117
7311904	KIT CAB APPLICATIONS SPECIAL			433
7311905	GUARD CAB			433
7312495ENUS	INSTRUCTIONS			433
7315525	DECAL DISCONNECT	7199543	A	333
7322004ENUS	INSTRUCTIONS			409
7325028	HARNESS FRAME	7282021	B	251
7326164	SEAL O-RING			189
73K234	RING, BACK-UP			229
73K328	RING			235
73K332	O-RING			227, 231, 233
75K3	RING,O			229, 231, 233
75K6	O-RING			227
78K4	O'RING			121, 139, 143, 147

Code for disposition of old part number

A -- Use up

B -- Use on other application (See PNI)

C -- File PDR Report with Bobcat Parts Sales

D -- Part Number Error

NUMERICAL INDEX (Cont'd)

Part Number	Description	Was	Code	Page
78K6	O'RING			121, 125, 139, 143, 383, 415, 419
78K8	O RING			121, 125
79K10	O RING 10			149, 153, 425, 427
79K12	O RING 10			427
79K16	O RING 10			131, 135
79K20	O RING 10			131, 135
79K3	O RING 10			113
79K4	O RING 10			121, 135, 139, 143, 147, 149, 153, 379, 383, 387, 415, 419, 427
79K6	O RING 10			121, 125, 127, 135, 139, 143, 149, 153, 163, 187, 373, 379, 383, 415, 419
79K8	O RING 10			121, 127, 131, 135, 149, 153, 341, 379, 383, 419, 427
7CM1090	BOLT, HEX SOCKET			95
7CM12110	SCREW HEX HD CAP			99
7CM1290	SCREW			269
7CM1440	BOLT			75, 77
7CM1460	SCREW			45, 47, 49
82K140	RING,O			235
82K236	RING,O			229
83D5	NUT 5			65, 69
83F3	ELBOW 5			121
86F3	NUT 10			121
86F5	NUT			125, 321, 323
86F6	NUT			415, 419
86F7	NUT 5			129
86F8	NUT 5			131, 319, 423
87G808	SCREW			241, 243
92D14	NUT			235
97D5	NUT			85
98D4	NUT			113, 115, 117
9JM60	PIN, RETAINER			65, 69, 87
9JM70	RETAINER SHAFT			111

Code for disposition of old part number

A -- Use up

B -- Use on other application (See PNI)

C -- File PDR Report with Bobcat Parts Sales

D -- Part Number Error